



US00D791952S

(12) **United States Design Patent**
Florescu et al.

(10) **Patent No.:** **US D791,952 S**
(45) **Date of Patent:** **** Jul. 11, 2017**

(54) **ANALYSIS DEVICE**

(71) Applicant: **Silicon BioDevices, Inc.**, Palo Alto, CA (US)

(72) Inventors: **Octavian Florescu**, Berkeley, CA (US);
Lukas Scherrer, San Francisco, CA (US)

(73) Assignee: **Silicon BioDevices, Inc.**, Palo Alto, CA (US)

(**) Term: **15 Years**

(21) Appl. No.: **29/549,160**

(22) Filed: **Dec. 18, 2015**

(51) **LOC (10) Cl.** **24-01**

(52) **U.S. Cl.**
USPC **D24/169; D24/186**

(58) **Field of Classification Search**
USPC D24/107, 147, 169, 186, 216, 223, 231;
D10/78, 81

CPC G01N 33/66; G01N 33/49; G01N 33/493;
A61B 5/14532; A61B 2560/0412; A61B
2560/0443; A61B 2560/0462

See application file for complete search history.

(56) **References Cited**

U.S. PATENT DOCUMENTS

D417,504 S * 12/1999 Love D24/169
D471,280 S * 3/2003 Jaeck D24/169

D499,813 S * 12/2004 Wu D24/223
D686,311 S * 7/2013 Mori D24/216
D713,963 S * 9/2014 Liedtke D24/169
D737,980 S * 9/2015 Golnik D24/169
D742,524 S * 11/2015 Yao D24/169
D778,445 S * 2/2017 Cadio D24/169
2010/0113896 A1 * 5/2010 Cadio A61B 5/14532
600/309

* cited by examiner

Primary Examiner — Anhdao Doan

(74) *Attorney, Agent, or Firm* — Levine Bagade Han LLP

(57) **CLAIM**

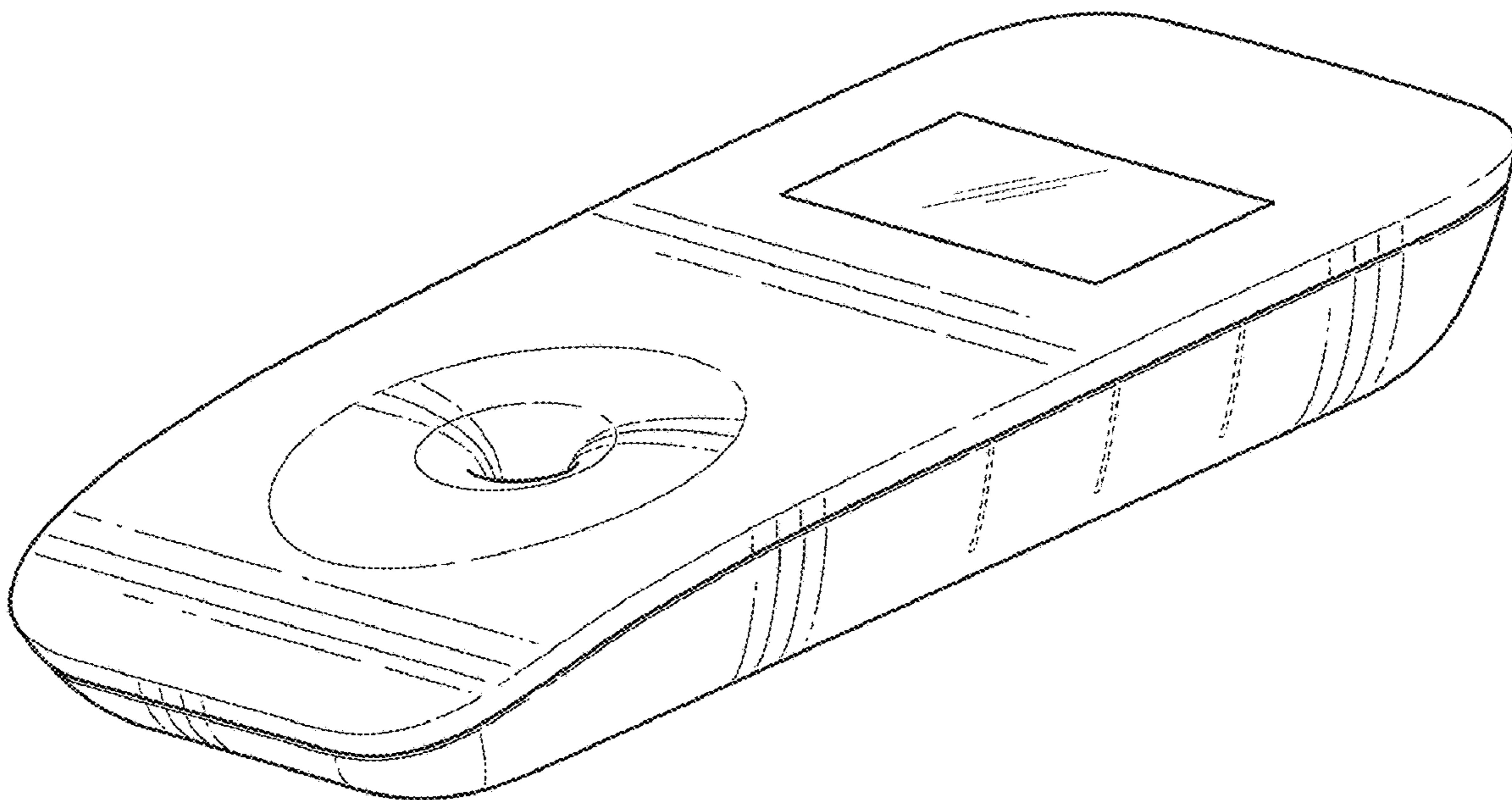
The ornamental design for an analysis device, as shown and described.

DESCRIPTION

FIG. 1 is a top perspective view of an analysis device;
FIG. 2 is a bottom elevation view thereof;
FIG. 3 is a top elevation view thereof;
FIG. 4 is a right side elevation view thereof;
FIG. 5 is a left side elevation view thereof;
FIG. 6 is a front view thereof; and,
FIG. 7 is a rear view thereof.

The broken lines illustrate portions of the analysis device that form no part of the claimed design.

1 Claim, 7 Drawing Sheets



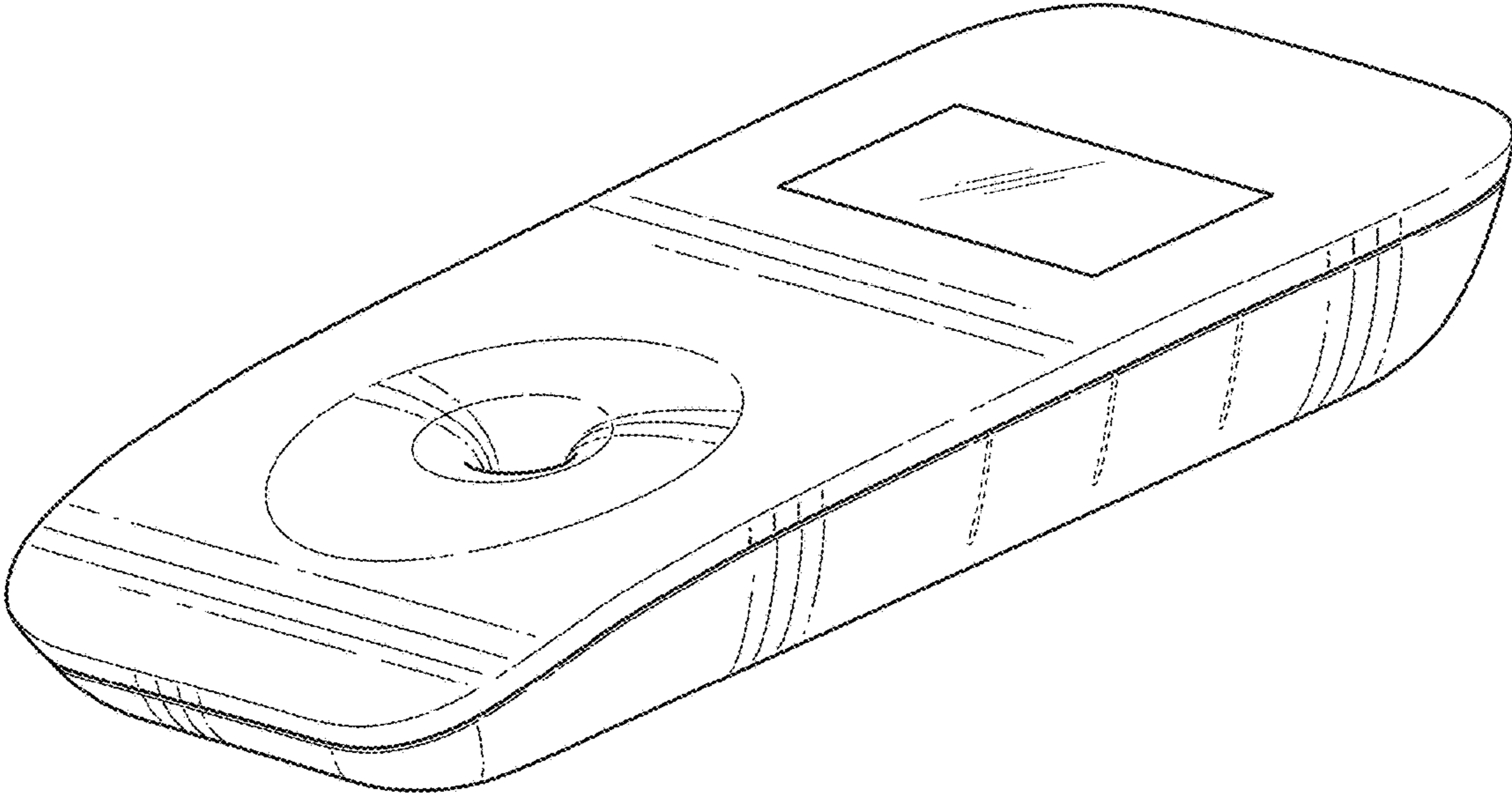


FIG. 1

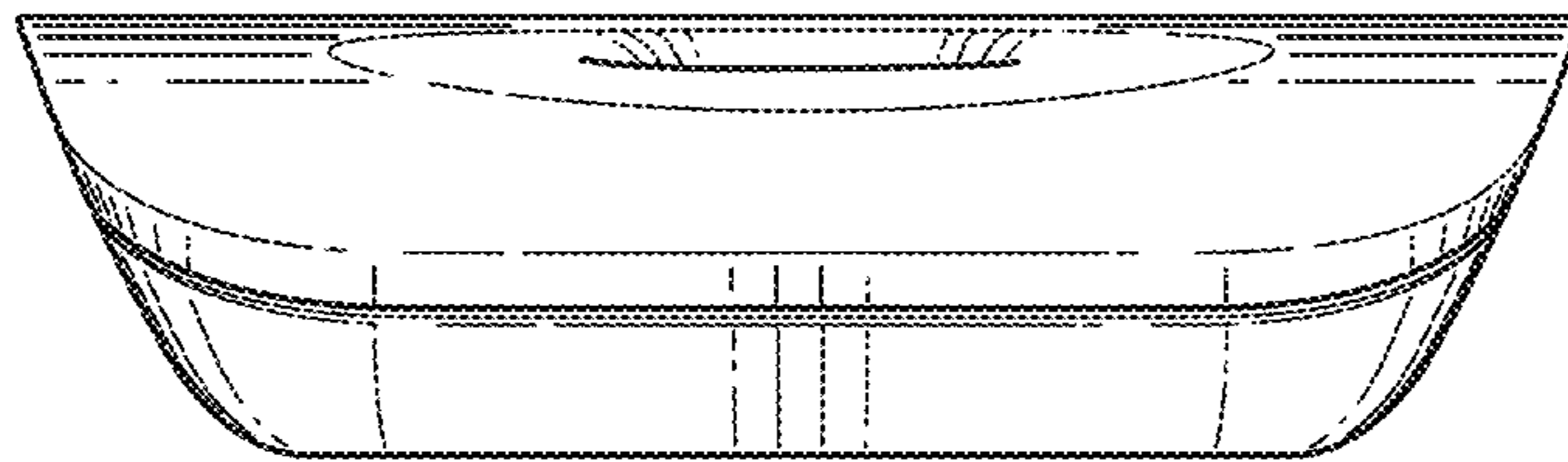


FIG. 2

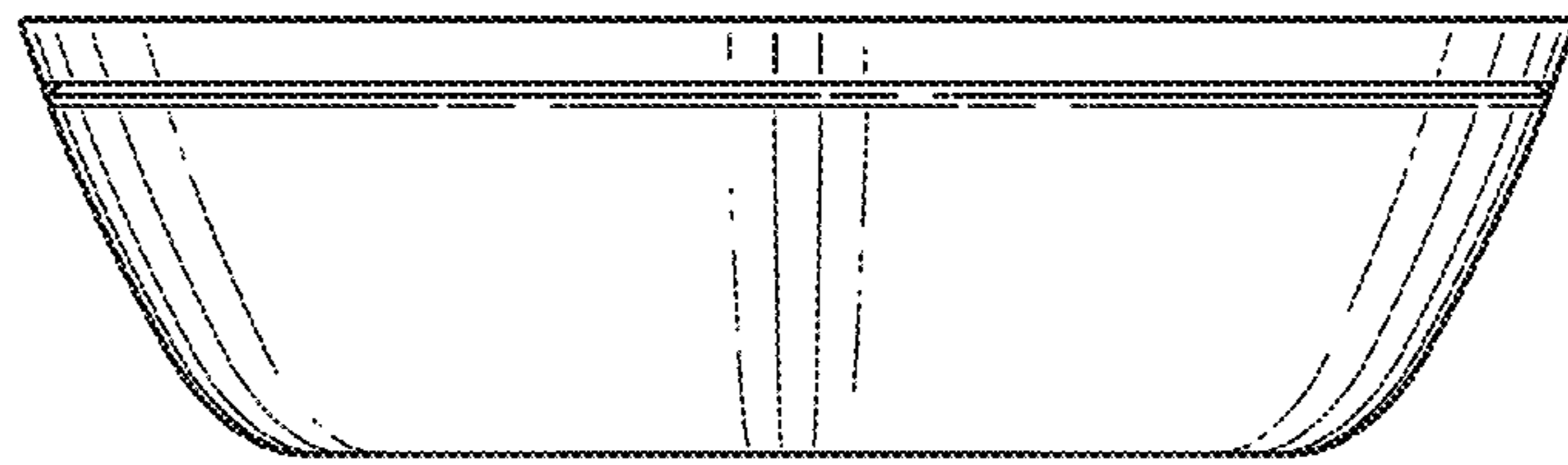


FIG. 3

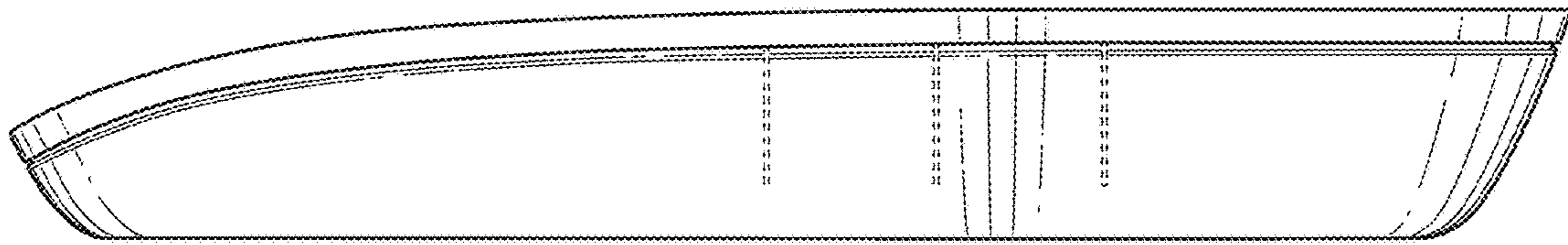


FIG. 4

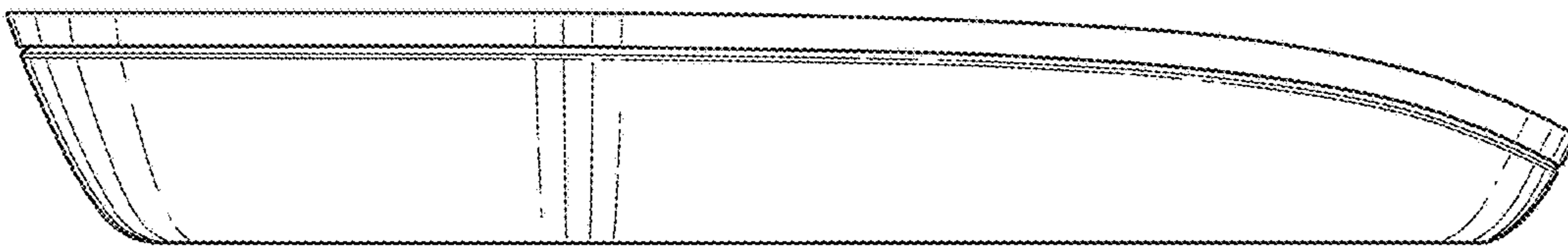


FIG. 5

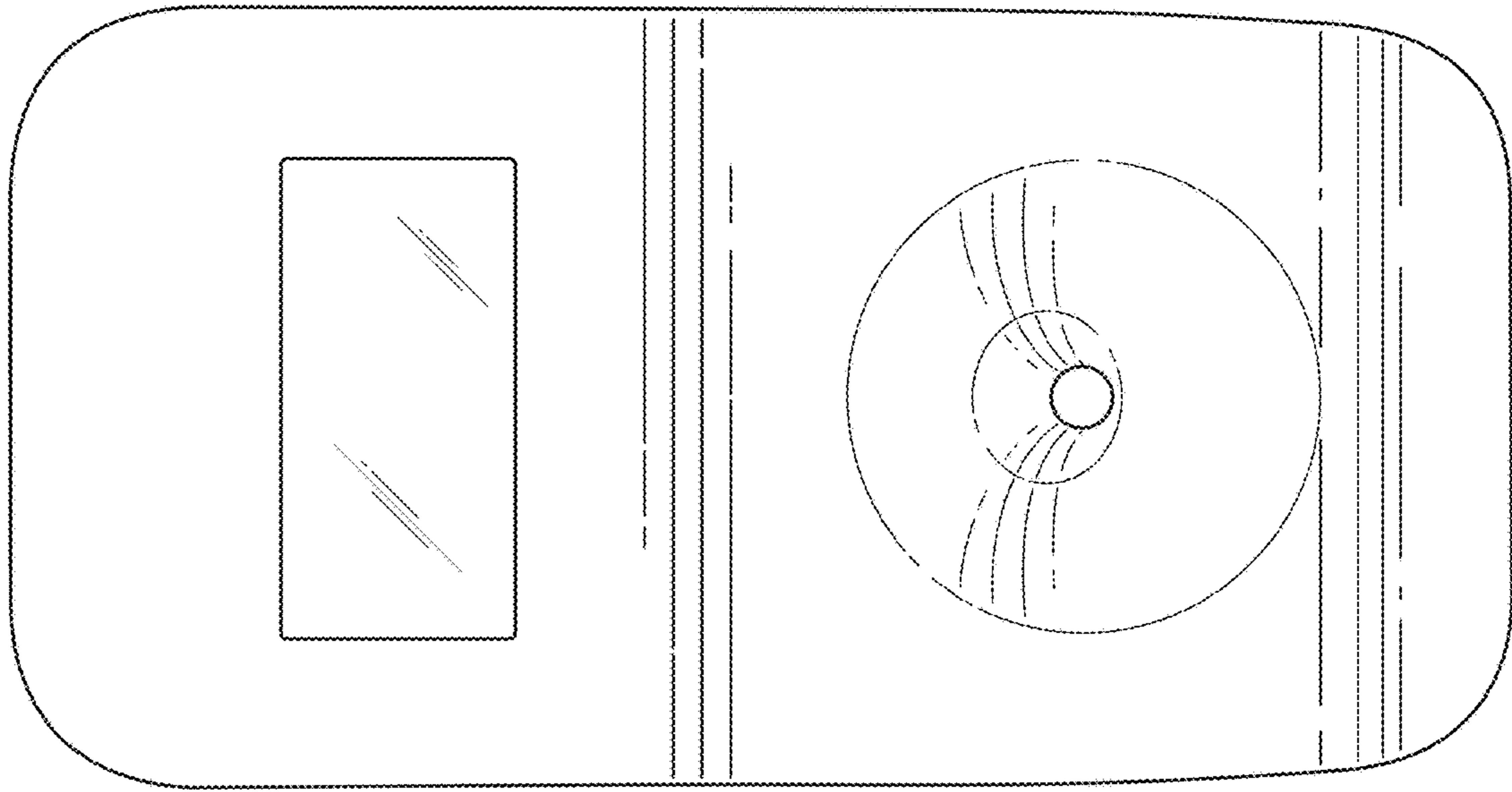


FIG. 6

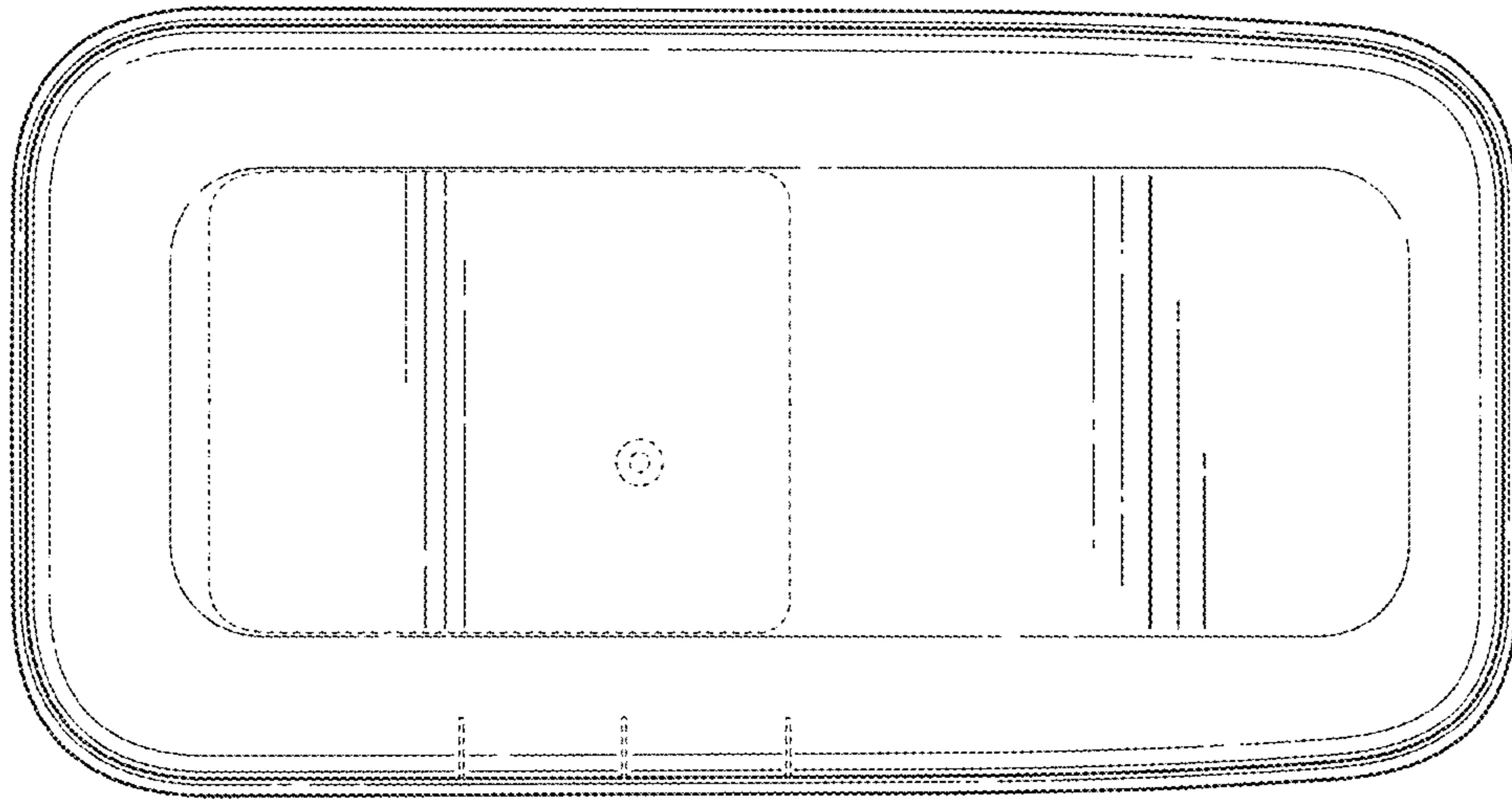


FIG. 7