



US00D791947S

(12) **United States Design Patent**
Chen

(10) **Patent No.:** **US D791,947 S**
(45) **Date of Patent:** **** Jul. 11, 2017**

- (54) **BLOOD SAMPLING PEN**
- (71) Applicant: **Chun-Yu Chen**, Taipei (TW)
- (72) Inventor: **Chun-Yu Chen**, Taipei (TW)
- (**) Term: **15 Years**
- (21) Appl. No.: **29/555,497**
- (22) Filed: **Feb. 23, 2016**
- (51) **LOC (10) Cl.** **24-02**
- (52) **U.S. Cl.**
USPC **D24/146**
- (58) **Field of Classification Search**
USPC D24/133, 130, 113, 114; 600/385, 600,
600/573, 583, 167, 172, 181-185;
210/453
CPC A61B 17/32; A61B 2017/320004; A61B
17/320016
See application file for complete search history.

D758,566 S * 6/2016 Chen D24/113

* cited by examiner

Primary Examiner — Lakiya Rogers
Assistant Examiner — Carissa C Fitts

(57) **CLAIM**

The ornamental design for a blood sampling pen, as shown and described.

DESCRIPTION

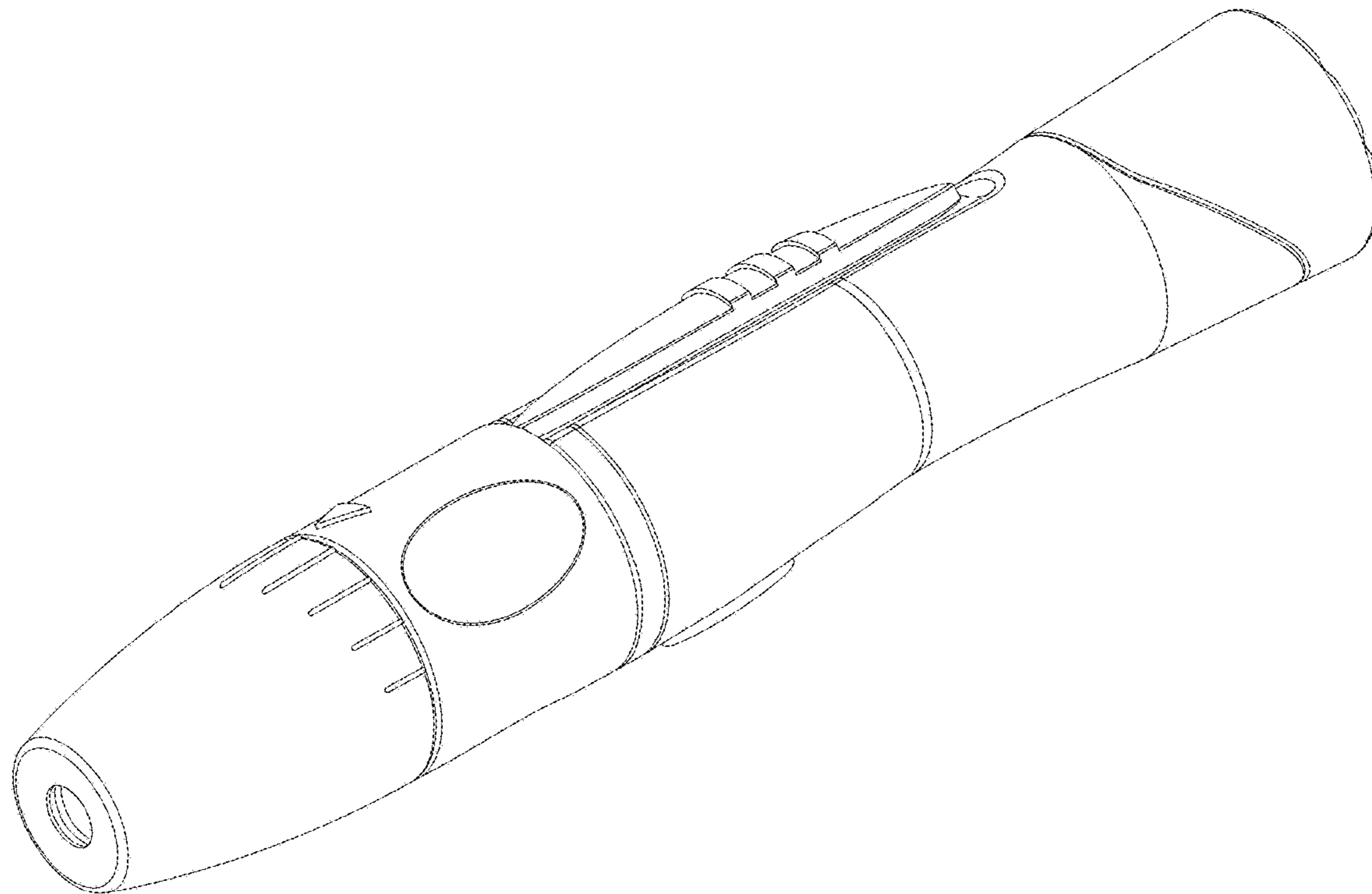
FIG. 1 is a perspective view of a blood sampling pen showing my new design; FIG. 2 is an enlarged front elevational view thereof; FIG. 3 is an enlarged rear elevational view thereof; FIG. 4 is a left side view thereof; FIG. 5 is a right side view thereof; FIG. 6 is a top plan view thereof; and, FIG. 7 is a bottom plan view thereof. The broken line portion of the figure drawings is included to show unclaimed subject matter only and forms no part of the claimed design.

(56) **References Cited**

U.S. PATENT DOCUMENTS

- D422,359 S * 4/2000 Fitch D24/133
- D550,363 S * 9/2007 Hannant D24/186

1 Claim, 4 Drawing Sheets



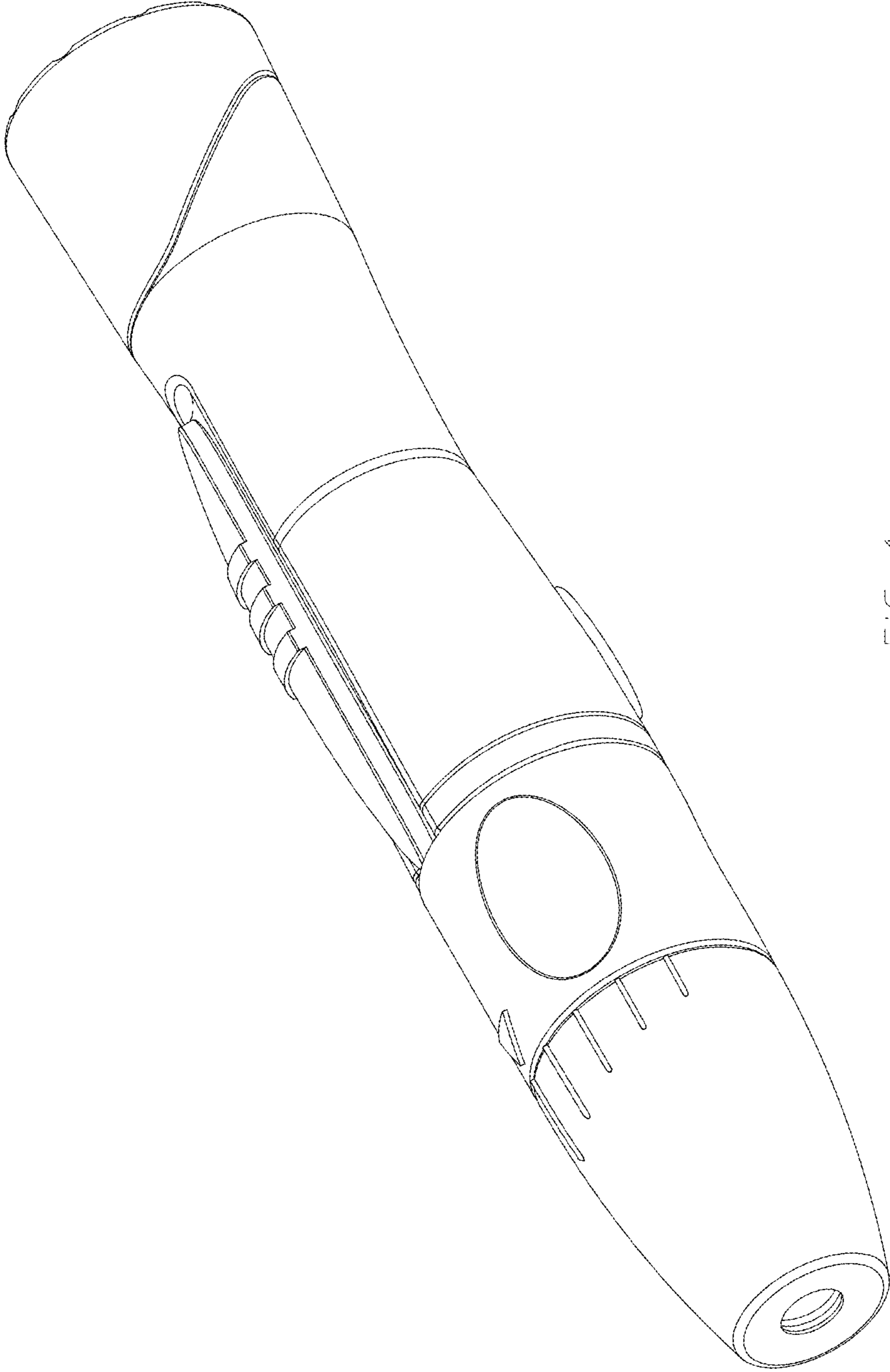


FIG. 1

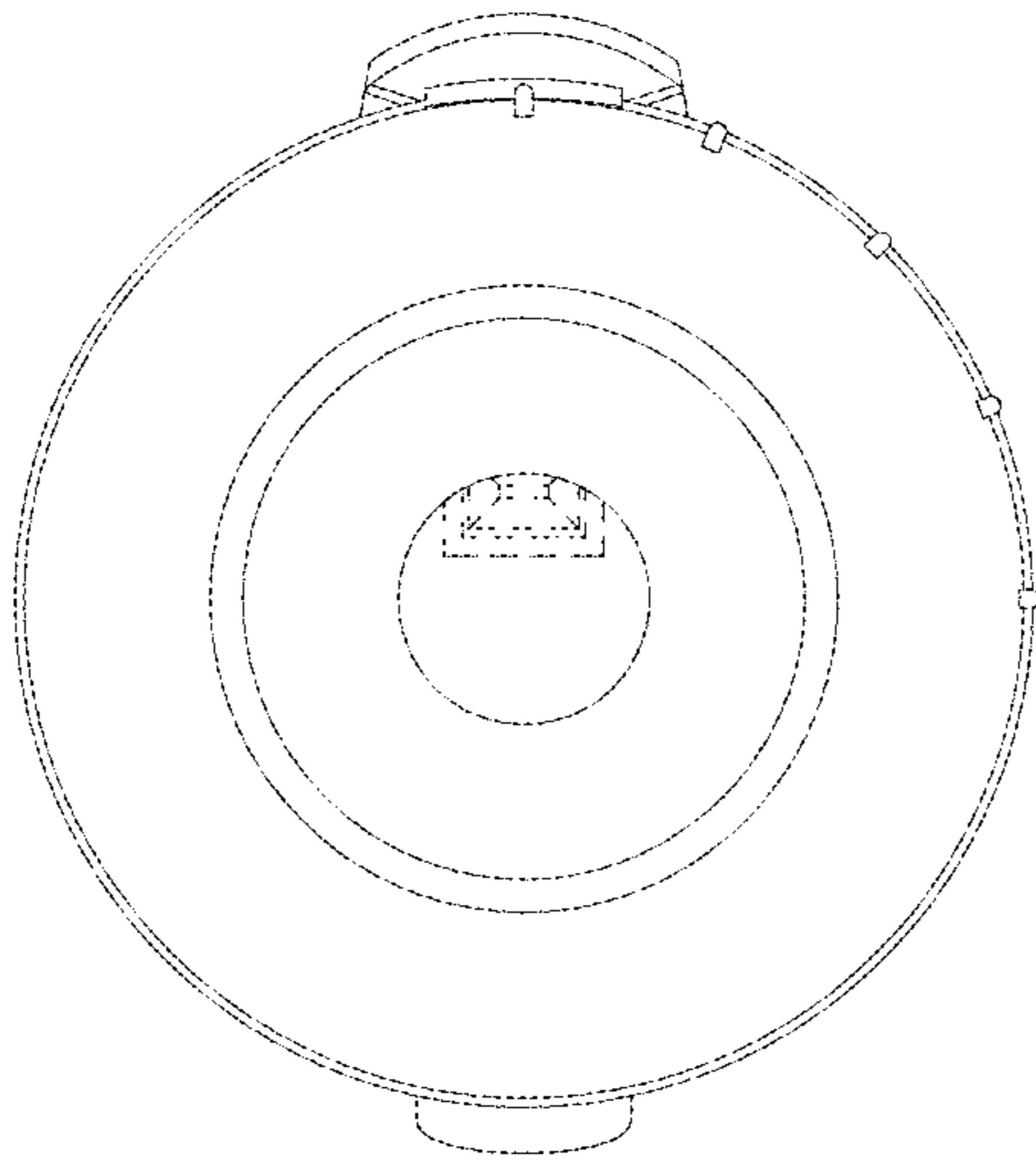


FIG. 2

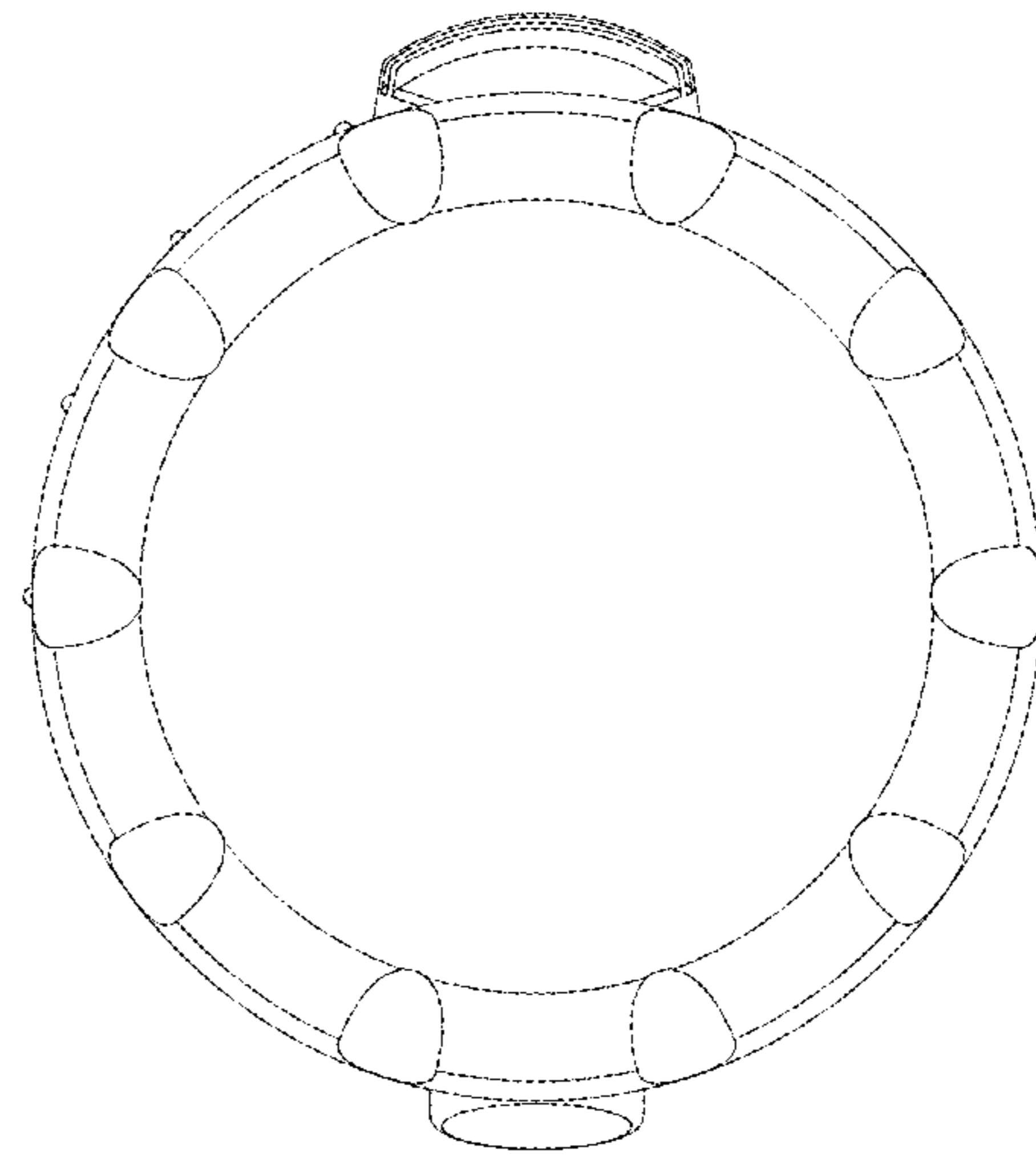


FIG. 3

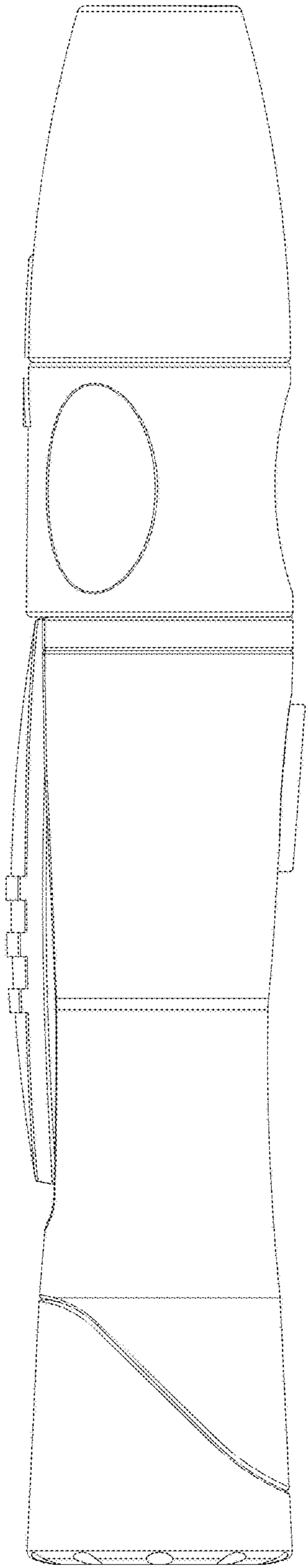


FIG. 4

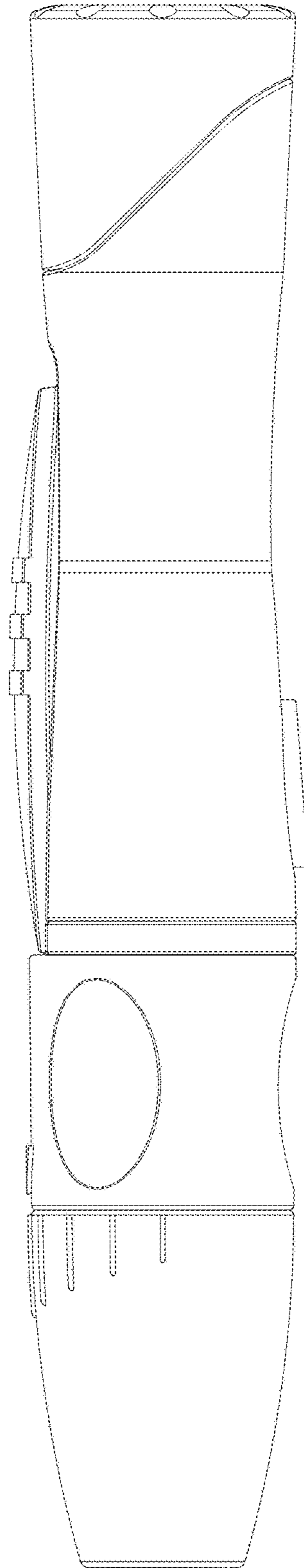


FIG. 5

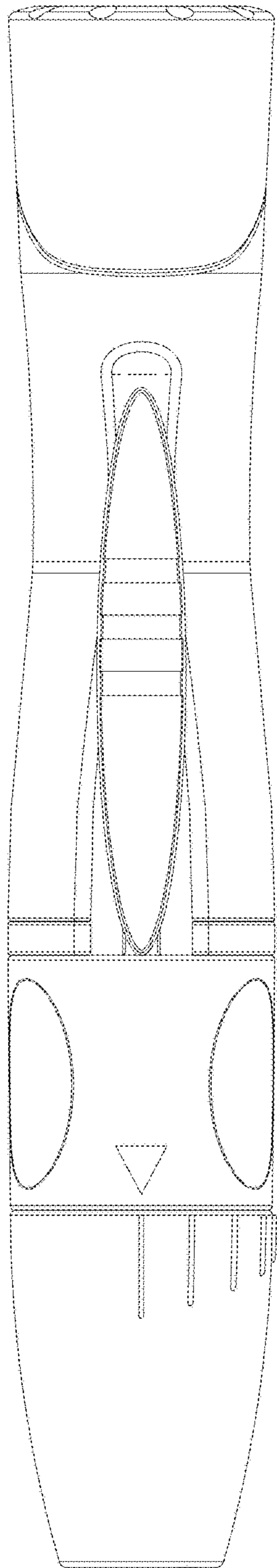


FIG. 6

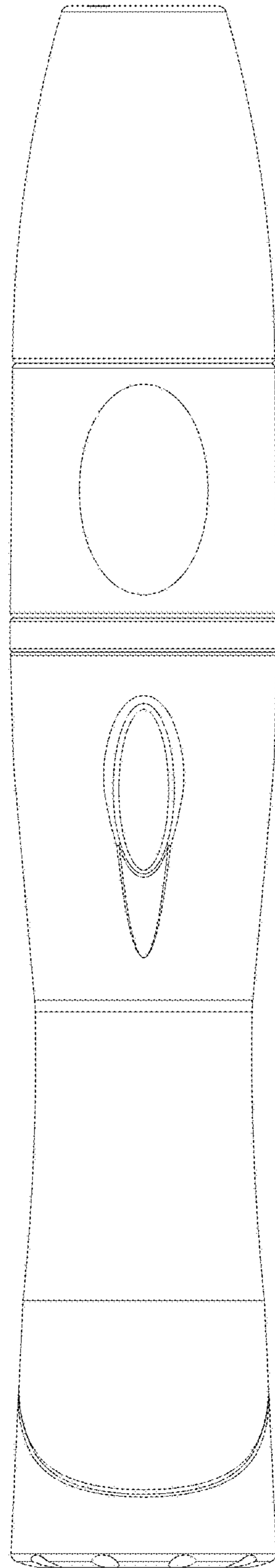


FIG. 7