



US00D791946S

(12) **United States Design Patent**
Schwartz

(10) **Patent No.:** **US D791,946 S**

(45) **Date of Patent:** **** Jul. 11, 2017**

(54) **MICRO-NEEDLE ARRAY HOLDER**

2004/0039302 A1* 2/2004 Kim A61B 5/15142
600/583

(71) Applicant: **ProCell Therapies, LLC**, Clearwater,
FL (US)

* cited by examiner

(72) Inventor: **Mitchell Edward Schwartz**,
Clearwater, FL (US)

Primary Examiner — Garth Rademaker

Assistant Examiner — Samantha Q Lawrence

(74) *Attorney, Agent, or Firm* — Thomas G. Ference

(73) Assignee: **ProCell Therapies, LLC**, Clearwater,
FL (US)

(57) **CLAIM**

The ornamental design for a micro-needle array holder, as shown and described.

(**) Term: **15 Years**

DESCRIPTION

(21) Appl. No.: **29/543,622**

FIG. 1 is a bottom perspective view of a micro-needle array holder showing my new design;

(22) Filed: **Oct. 27, 2015**

FIG. 2 is a front elevational view of FIG. 1, the rear elevational view, right-side elevational view and left-side elevational view all being identical thereto;

(51) **LOC (10) Cl.** **24-02**

FIG. 3 is a bottom plan view of FIG. 1;

(52) **U.S. Cl.**

USPC **D24/146**

FIG. 4 is a top plan view of FIG. 1;

(58) **Field of Classification Search**

USPC D24/104, 112–114, 127, 130, 133, 146,
D24/147

FIG. 5 is a bottom perspective view of the micro-needle array holder of FIG. 1 integrated with a micro-needle array showing the intended use; and,

See application file for complete search history.

FIG. 6 is an exploded view of FIG. 5.

(56) **References Cited**

The vertical lines shown in FIGS. 1, 3 and 6 illustrate perspective shading and form no part of the claimed design. The dot-dash broken lines shown in FIGS. 1, 3, 4, and 6 illustrate a boundary of the claimed design and form no part thereof.

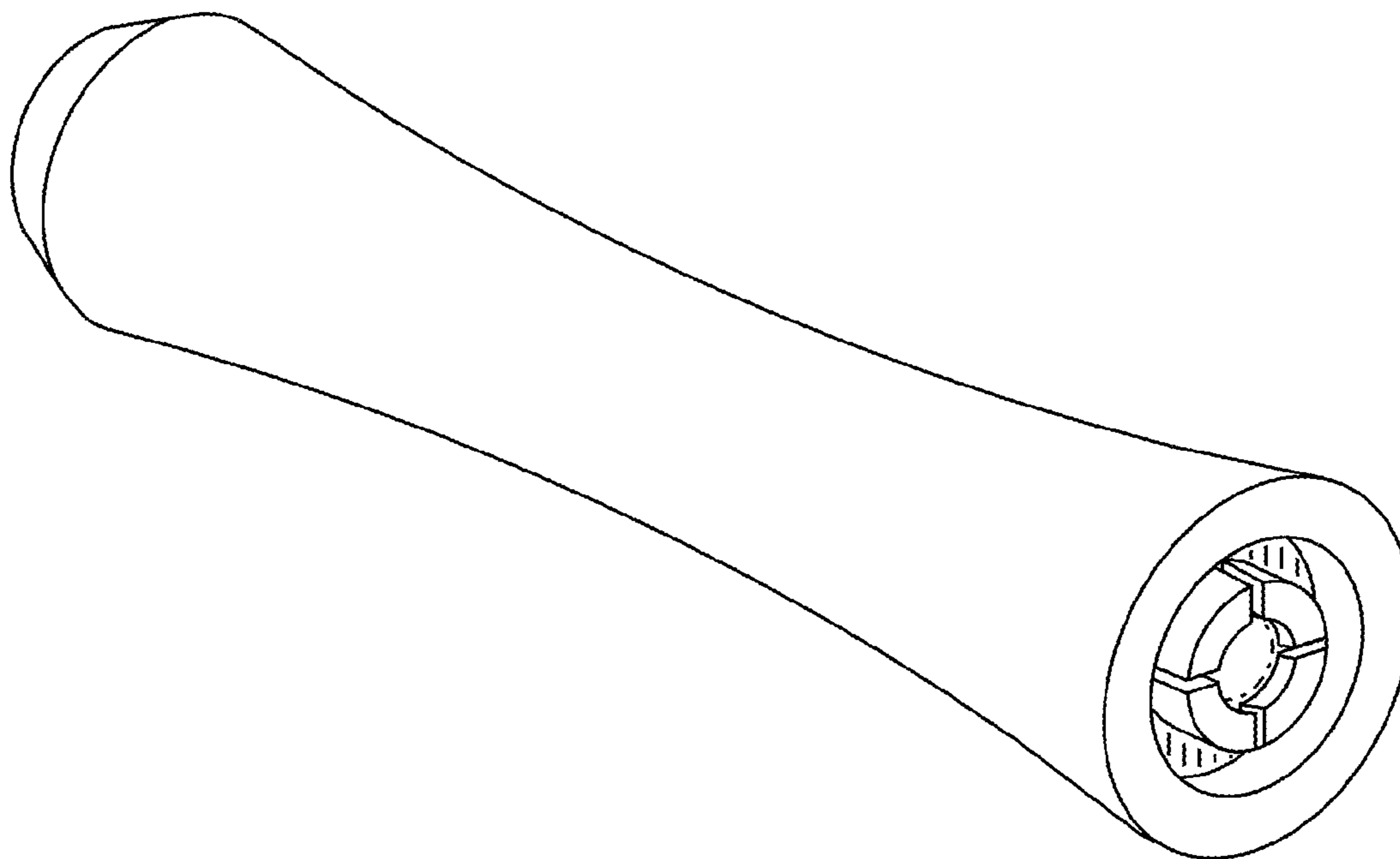
U.S. PATENT DOCUMENTS

D429,814 S *	8/2000	Lorwald	D24/140
D493,532 S *	7/2004	Levaughn	D24/146
D555,241 S *	11/2007	Nakanishi	D24/133
D560,805 S *	1/2008	Young	D24/146
D595,410 S *	6/2009	Luzon	D24/133
D648,024 S *	11/2011	Harkin	D24/146
D726,316 S *	4/2015	Marquez	D24/133
D742,505 S *	11/2015	Ettlin	D24/114

The broken lines shown in FIG. 4 illustrate portions of the micro-needle array holder that form no part of the claimed design.

The broken lines shown in FIGS. 5 and 6 illustrate environment and form no part of the claimed design.

1 Claim, 6 Drawing Sheets



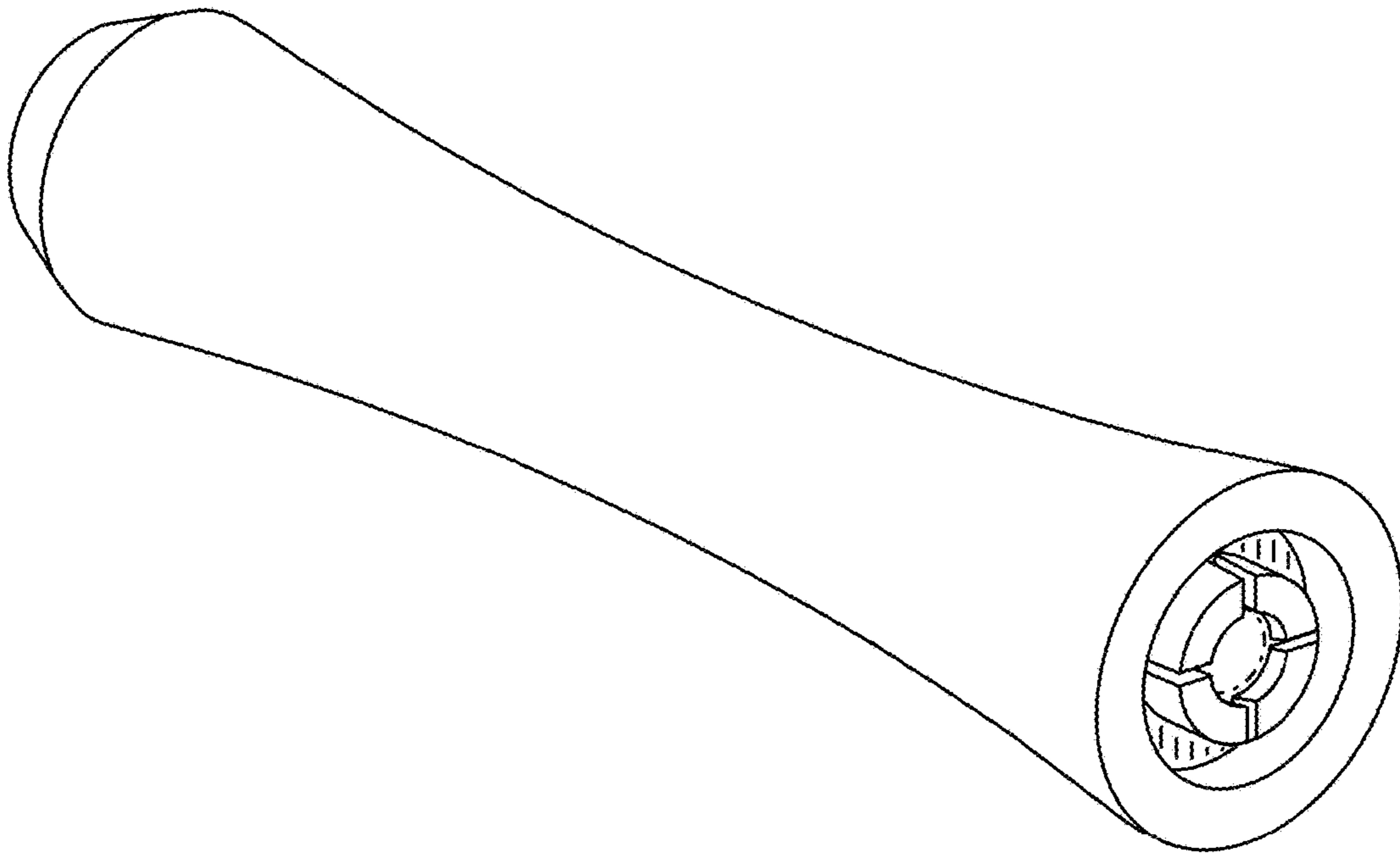


Figure 1

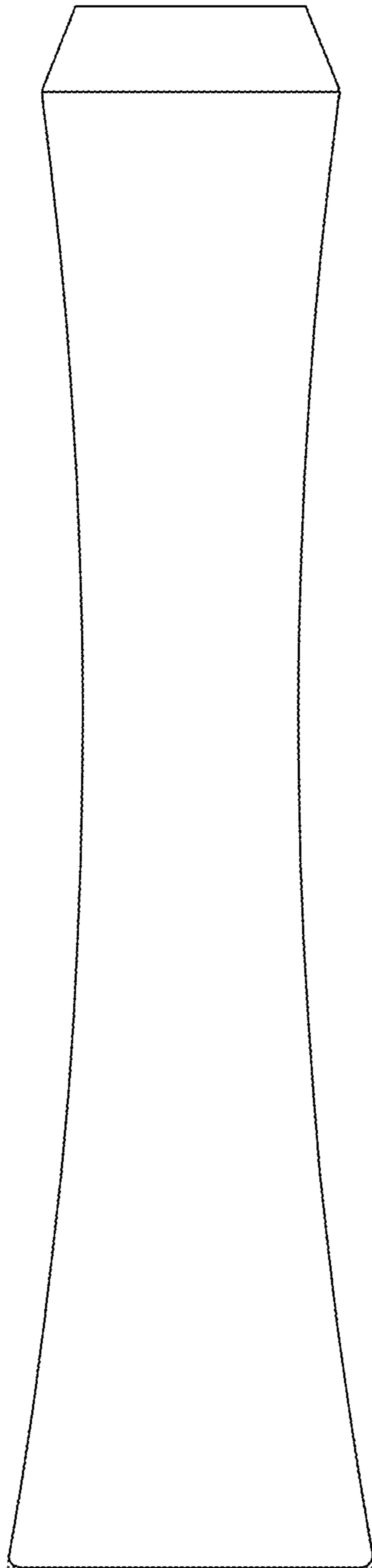


Figure 2

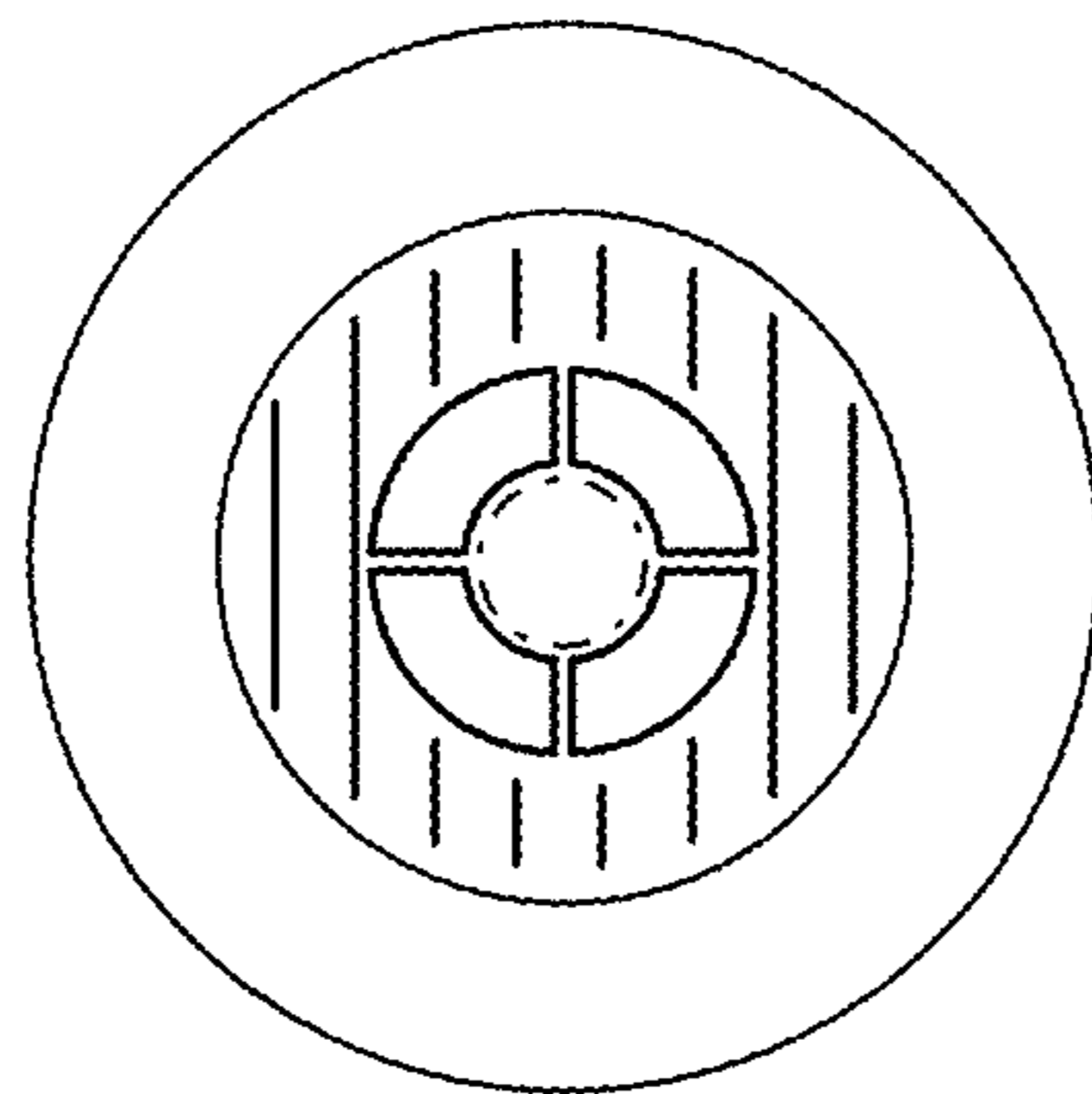


Figure 3

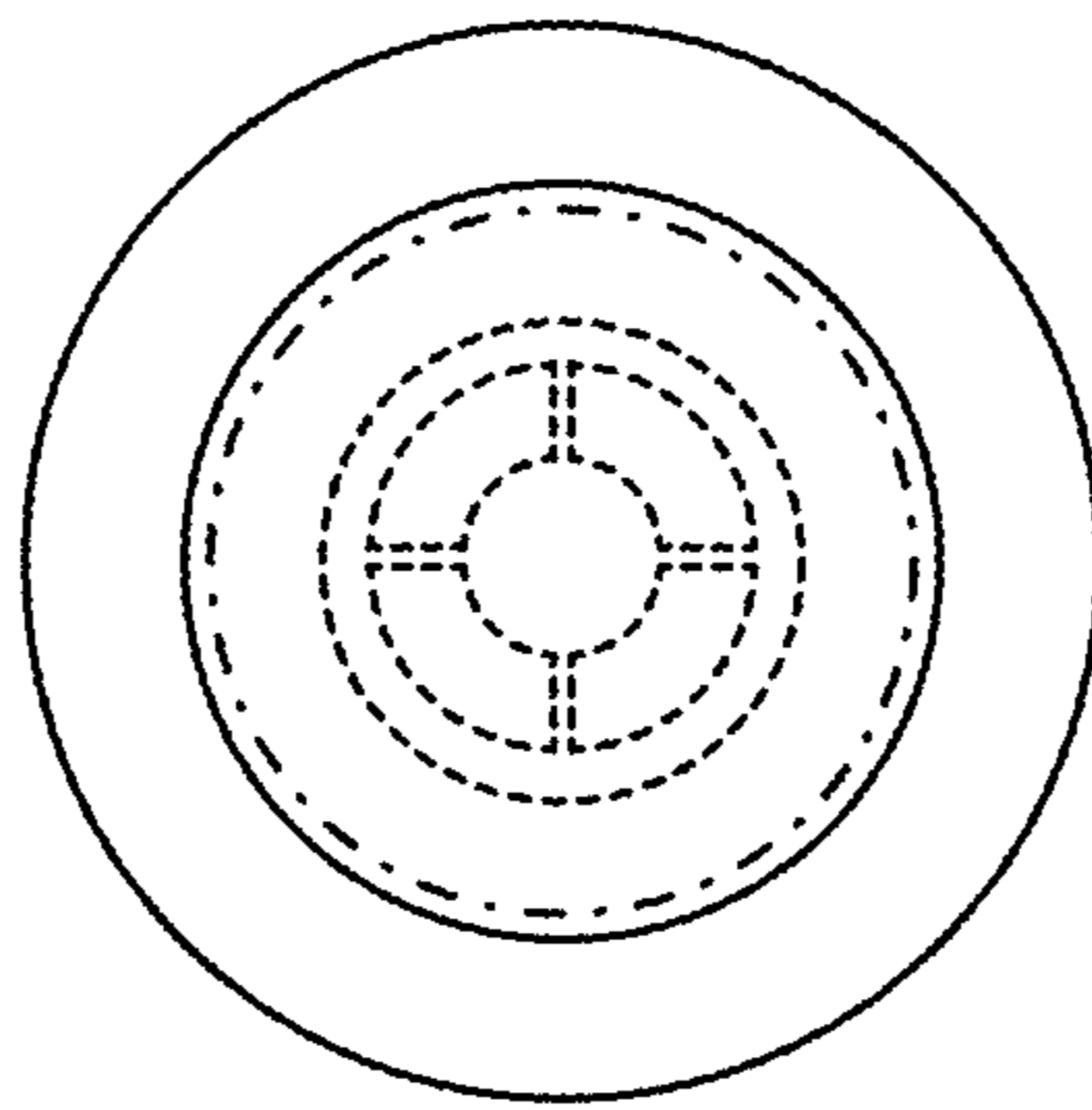


Figure 4

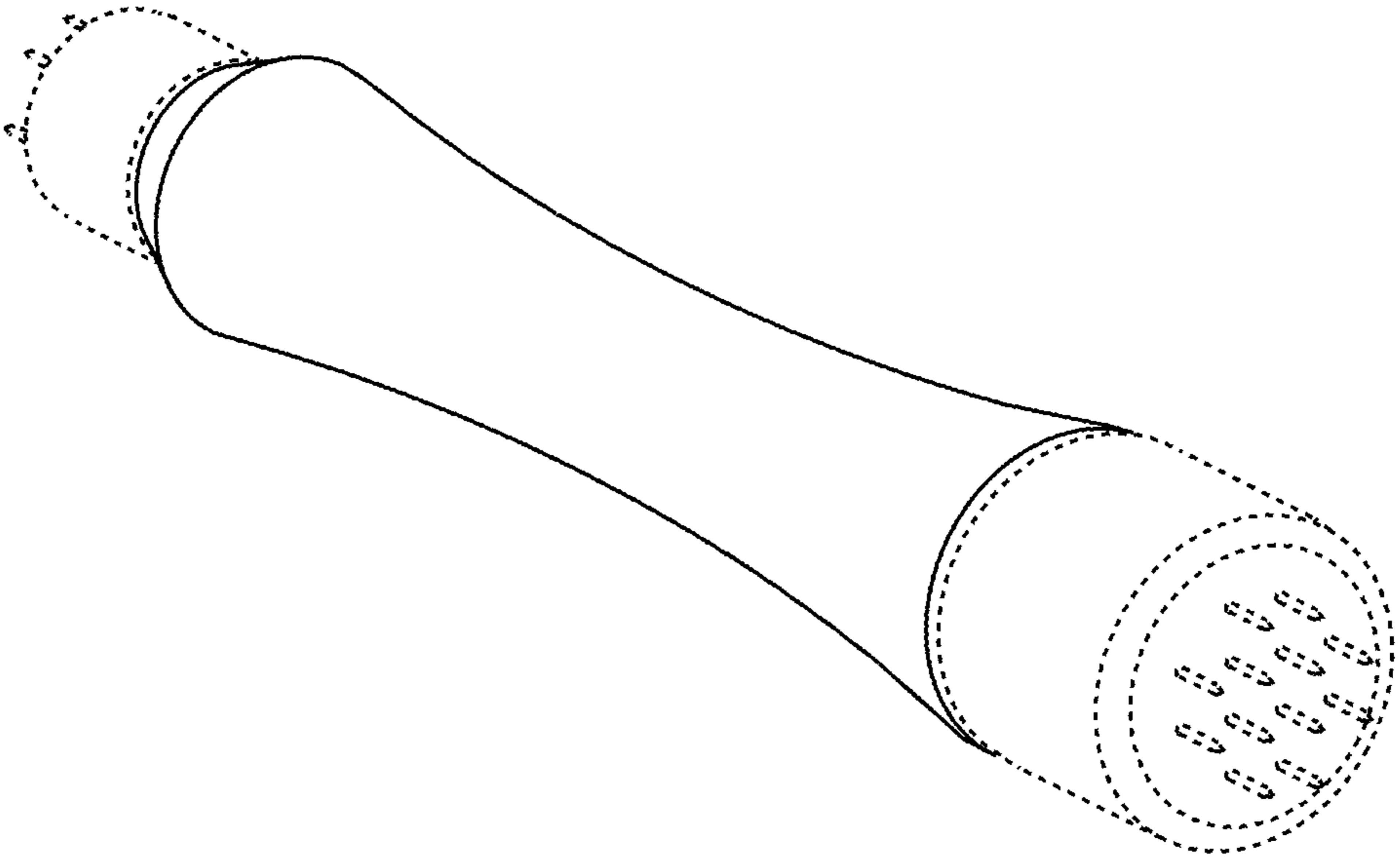


Figure 5

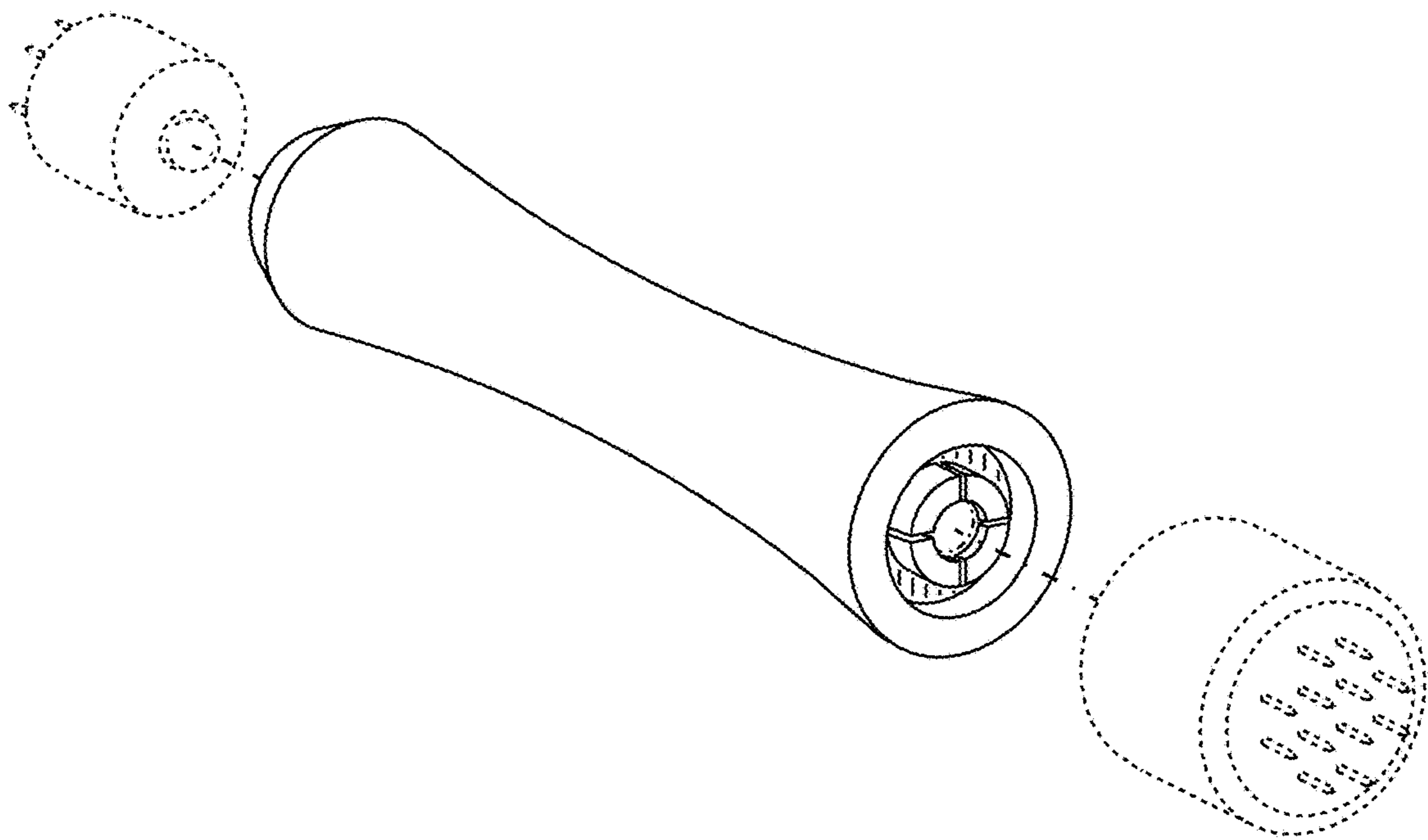


Figure 6