



US00D791943S

(12) **United States Design Patent**  
**Cook**

(10) **Patent No.:** **US D791,943 S**  
(45) **Date of Patent:** **\*\* Jul. 11, 2017**

(54) **LARYNGOSCOPE BLADE**  
(71) Applicant: **Dennis L. Cook**, Cary, IL (US)  
(72) Inventor: **Dennis L. Cook**, Cary, IL (US)  
(\*\*) Term: **15 Years**

D664,653 S 7/2012 Doerges  
D669,680 S 10/2012 Goldstein  
D708,326 S 7/2014 Wang et al.  
D738,501 S \* 9/2015 Renner ..... D24/146  
D739,017 S \* 9/2015 Renner ..... D24/146  
2012/0071725 A1\* 3/2012 Plevnik ..... A61B 1/00052  
600/188  
2013/0225929 A1\* 8/2013 Alsip ..... A61B 1/267  
600/197

(21) Appl. No.: **29/545,986**  
(22) Filed: **Nov. 18, 2015**  
(51) **LOC (10) Cl.** ..... **24-02**  
(52) **U.S. Cl.**  
USPC ..... **D24/137; D24/135**  
(58) **Field of Classification Search**  
USPC ..... D24/111, 137, 138, 135, 136, 139, 141,  
D24/160  
CPC ..... A61B 1/267; A61B 1/00052; A61B 1/06;  
A61B 1/04; A61B 1/2676; B29L  
2031/753  
See application file for complete search history.

(56) **References Cited**  
U.S. PATENT DOCUMENTS

4,314,551 A \* 2/1982 Kadell ..... A61B 1/267  
600/190  
D271,135 S \* 10/1983 Greenblatt ..... D24/138  
D337,384 S 7/1993 Schucman  
D369,407 S \* 4/1996 Smith ..... D24/136  
D435,655 S \* 12/2000 Tamirisa ..... D24/137  
D512,778 S 12/2005 Ashraf  
D544,601 S \* 6/2007 Iqbal ..... D24/137  
7,744,529 B2\* 6/2010 Sakamoto ..... A61B 1/267  
600/185  
D630,737 S 1/2011 Tenger et al.  
D630,741 S 1/2011 Tenger et al.  
D645,146 S 9/2011 Lee  
D651,711 S 1/2012 McGrath et al.  
D659,246 S 5/2012 McGrath et al.

**OTHER PUBLICATIONS**

Four (4) page website printout from "rtmagazine.com" featuring an article titled "CareFusion to Exclusively Distribute APA Vide Laryngoscope" published on Nov. 3, 2015, copyright—RT: For Decision Makers in Respiratory Care.

\* cited by examiner

*Primary Examiner* — Robert M Spear  
*Assistant Examiner* — Eliza Bennett-Hattan  
(74) *Attorney, Agent, or Firm* — Tuggle Duggins P.A.;  
Blake Hurt

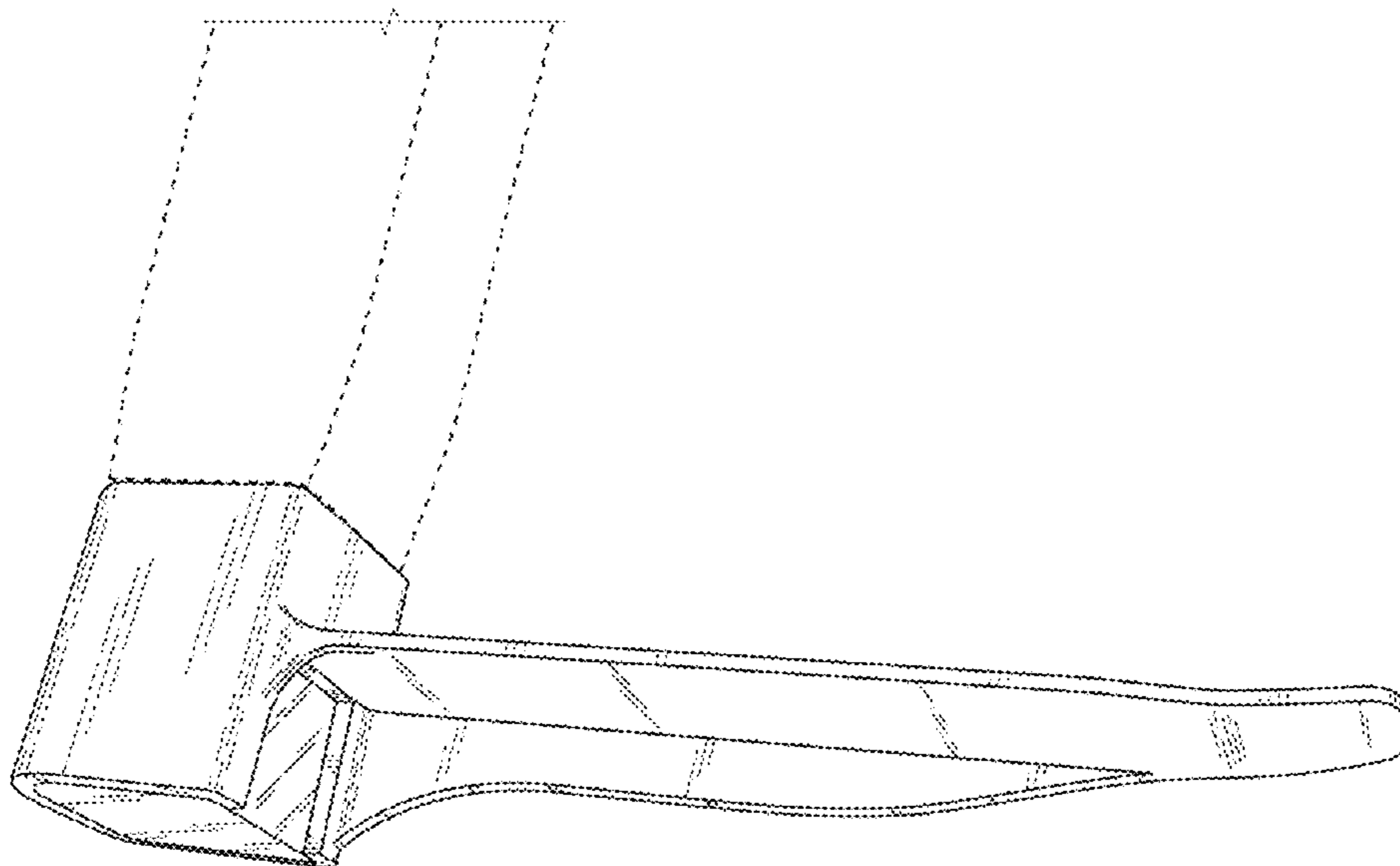
(57) **CLAIM**

The ornamental design for a laryngoscope blade, as shown and described.

**DESCRIPTION**

FIG. 1 is a bottom, left side perspective view of a laryngoscope blade showing my new design;  
FIG. 2 is a right side elevational view thereof,  
FIG. 3 is a left side elevational view thereof;  
FIG. 4 is a top plan view thereof;  
FIG. 5 is a bottom plan view thereof;  
FIG. 6 is a front elevational view thereof; and,  
FIG. 7 is a rear elevational view thereof.  
The broken lines in FIGS. 1, 6 and 7 represent environmental structure and form no part of the claimed design.

**1 Claim, 3 Drawing Sheets**



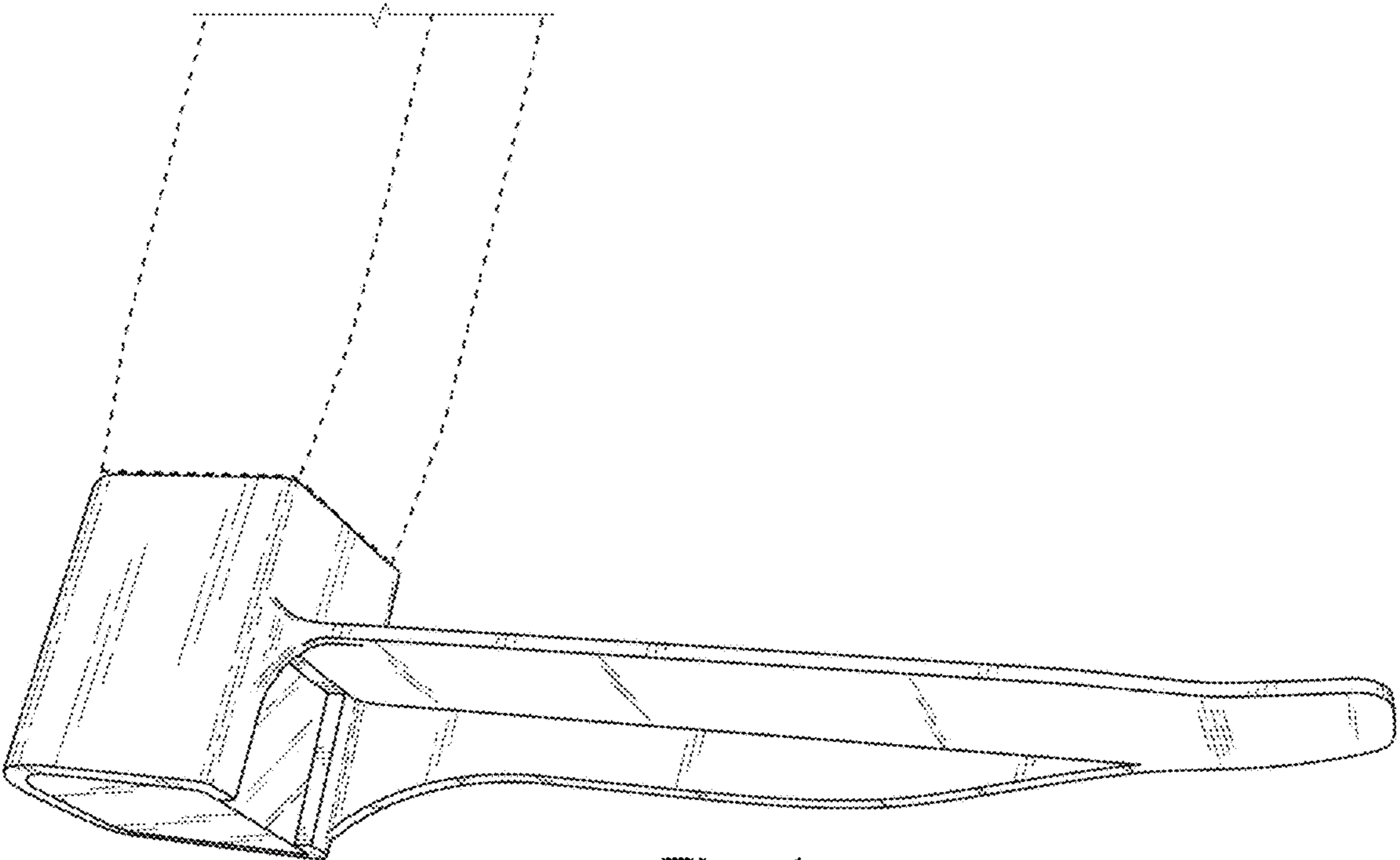


Fig. 1

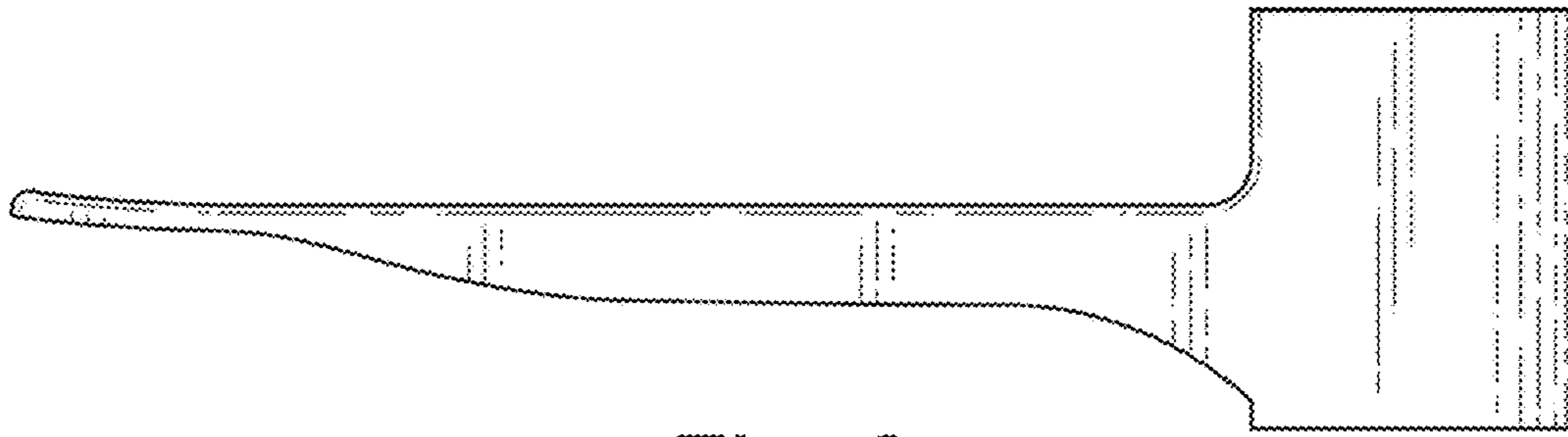


Fig. 2

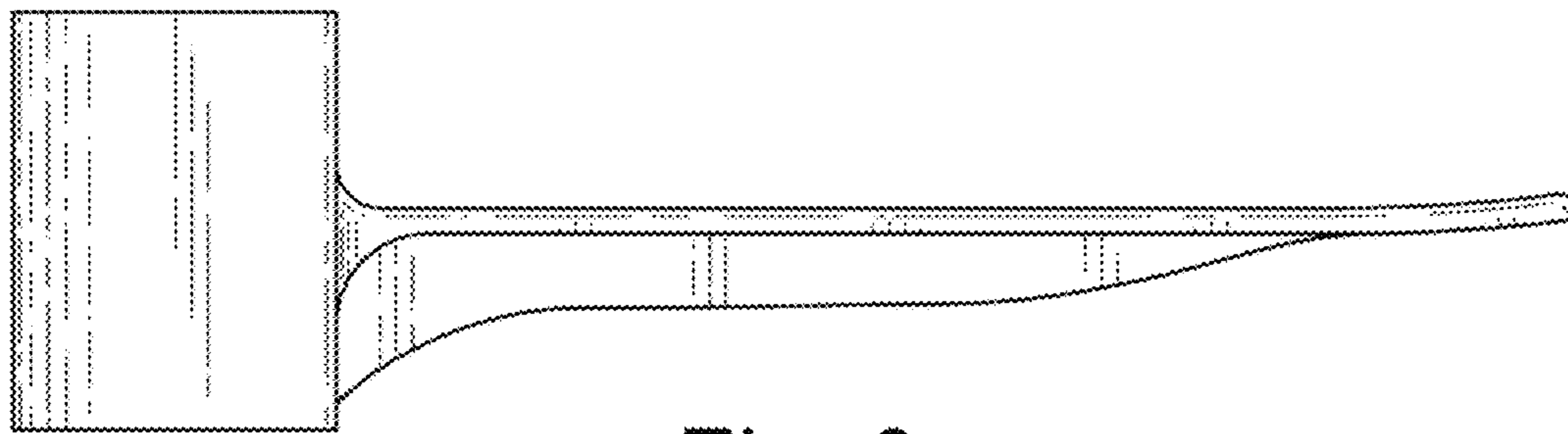


Fig. 3

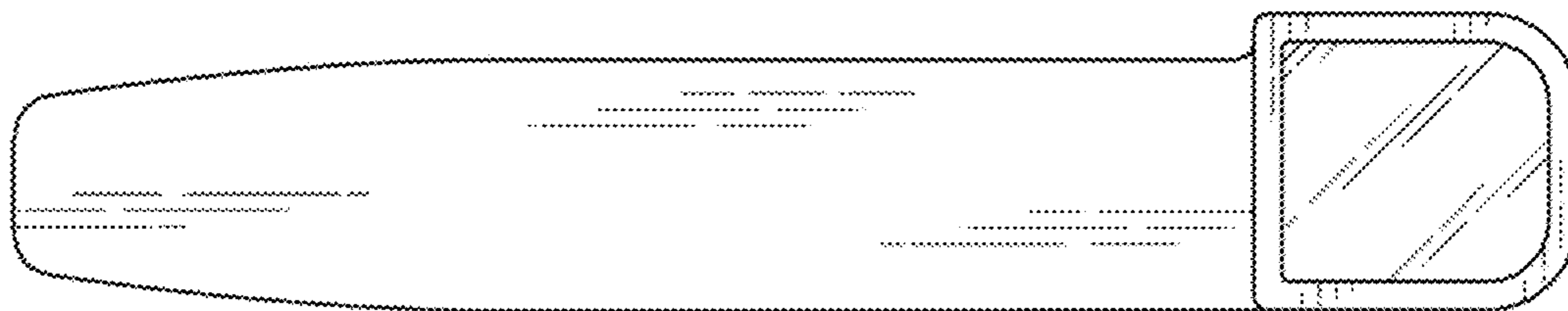


Fig. 4

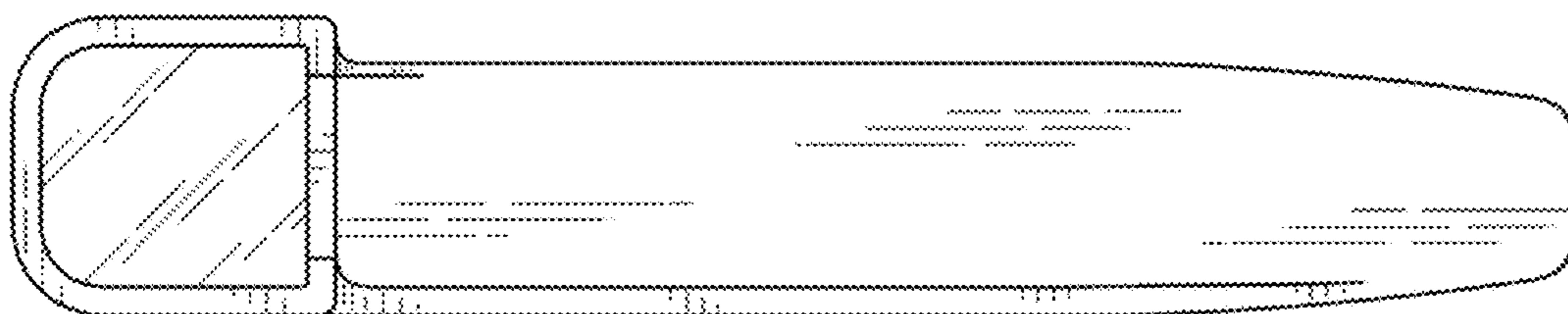


Fig. 5

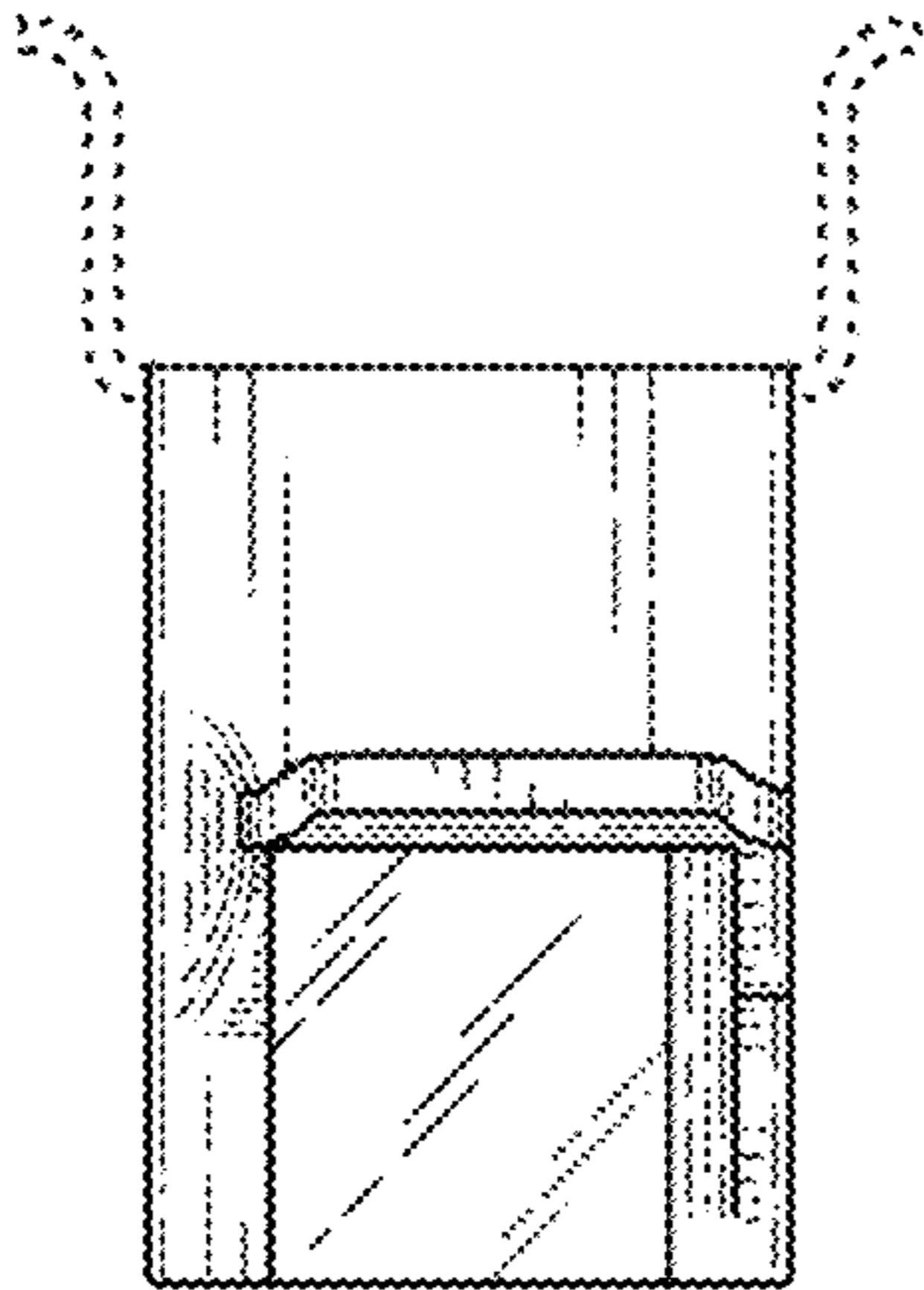


Fig. 6

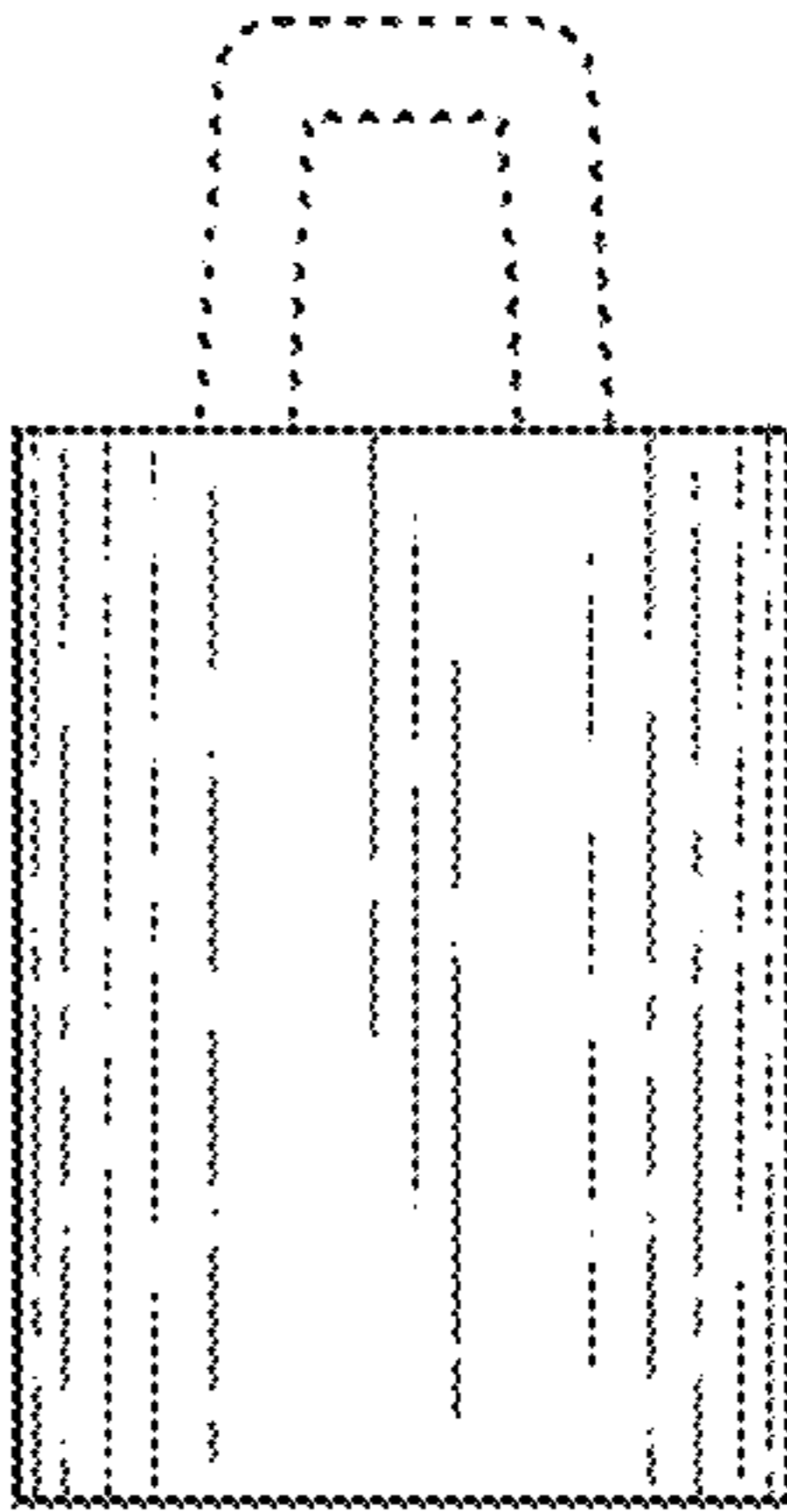


Fig. 7