



US00D791941S

(12) **United States Design Patent** (10) **Patent No.:** **US D791,941 S**
Burachynsky et al. (45) **Date of Patent:** **** Jul. 11, 2017**

- (54) **PROBE HANDLE**
- (71) Applicant: **Kyphon SARL**, Neuchatel (CH)
- (72) Inventors: **Natalia Burachynsky**, Toronto (CA); **Neil Godara**, Milton (CA); **Zhifeng Zhou**, Toronto (CA); **Larry Henan Chen**, Guelph (CA); **Robert Harrison**, Milton (CA)
- (73) Assignee: **Kyphon SARL**, Neuchâtel (CH)
- (**) Term: **15 Years**
- (21) Appl. No.: **29/547,917**
- (22) Filed: **Dec. 9, 2015**
- (51) **LOC (10) Cl.** **24-02**
- (52) **U.S. Cl.**
USPC **D24/133**
- (58) **Field of Classification Search**
USPC D24/108, 117-118, 132, 133, 137, 138, D24/222; D16/130, 132, 136; 600/49, 600/109, 137-147
CPC A61B 1/00183; A61B 18/1402; A61B 5/1076; A61B 17/00008; A61B 18/14; A61B 18/1445; A61B 1/00; A61B 1/0039; A61B 1/00052
See application file for complete search history.

(56) **References Cited**

U.S. PATENT DOCUMENTS

D285,835 S *	9/1986	Hanses	D24/147
D450,843 S *	11/2001	McGuckin, Jr.	D24/133
D476,734 S *	7/2003	Pavlu	D24/112
D517,388 S *	3/2006	Hsieh	D8/107
D667,557 S *	9/2012	Boudier	D24/186
D671,813 S *	12/2012	Lin	D8/83
D677,785 S *	3/2013	Stones	D24/113
D679,021 S *	3/2013	Tani	D24/187
D685,100 S *	6/2013	Shinohara	D24/186

D691,718 S *	10/2013	Ryan	D24/133
D692,559 S *	10/2013	Scheibel	D24/133
D695,089 S *	12/2013	Nelson	D8/83
D702,848 S *	4/2014	Mendoza	D24/206
D708,741 S *	7/2014	Harrison	D24/133
D733,298 S *	6/2015	Mujwid	A61B 17/0401 D24/146
D742,007 S *	10/2015	Schuetz	D24/152
D746,995 S *	1/2016	Matsumura	D24/187
D764,657 S *	8/2016	Bokelman	D24/113
2010/0042129 A1 *	2/2010	Curry	A61B 5/150022 606/181
2014/0012229 A1 *	1/2014	Bokelman	A61M 5/20 604/506
2014/0018775 A1 *	1/2014	Swords	A61M 11/00 604/514
2015/0148603 A1 *	5/2015	Holste	A61B 1/0684 600/109

(Continued)

Primary Examiner — Manpreet Matharu
Assistant Examiner — Yolanda Robinson

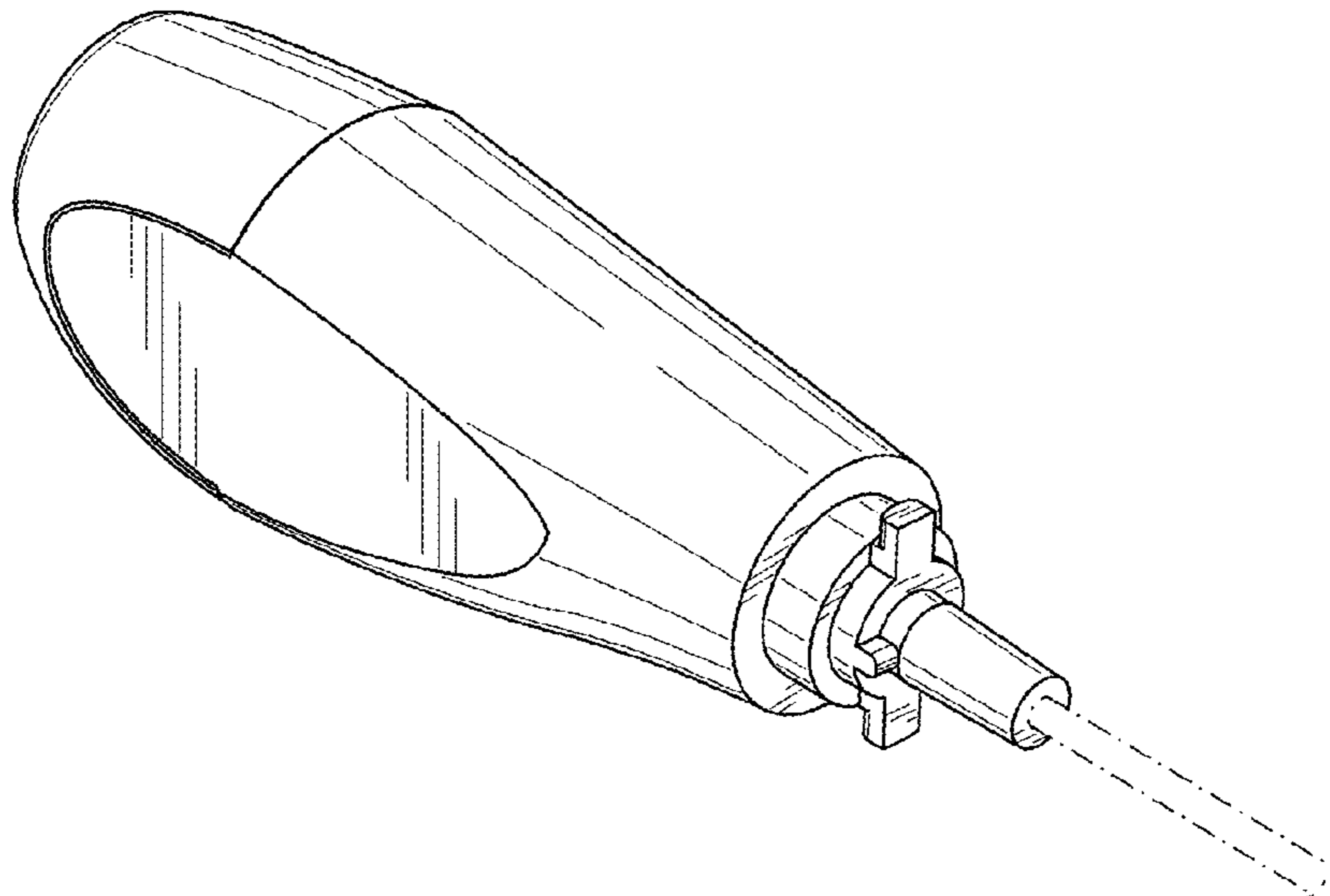
(57) **CLAIM**

The ornamental design for a probe handle, as shown and described.

DESCRIPTION

FIG. 1 is a left, front and top perspective view of a probe handle, showing our new design;
 FIG. 2 is a right, back and bottom perspective view of the probe handle of FIG. 1;
 FIG. 3 is a left side view of the probe handle of FIG. 1;
 FIG. 4 is a front view of the probe handle of FIG. 1;
 FIG. 5 is a right side view of the probe handle of FIG. 1;
 FIG. 6 is a back view of the probe handle of FIG. 1;
 FIG. 7 is a top view of the probe handle of FIG. 1; and,
 FIG. 8 is a bottom view of the probe handle of FIG. 1.
 The broken lines immediately adjacent the shaded areas represent the bounds of the claimed design; the broken lines form no part of the claimed design.

1 Claim, 5 Drawing Sheets



(56)

References Cited

U.S. PATENT DOCUMENTS

2015/0359523 A1 * 12/2015 Privitera A61B 10/0275
600/566

* cited by examiner

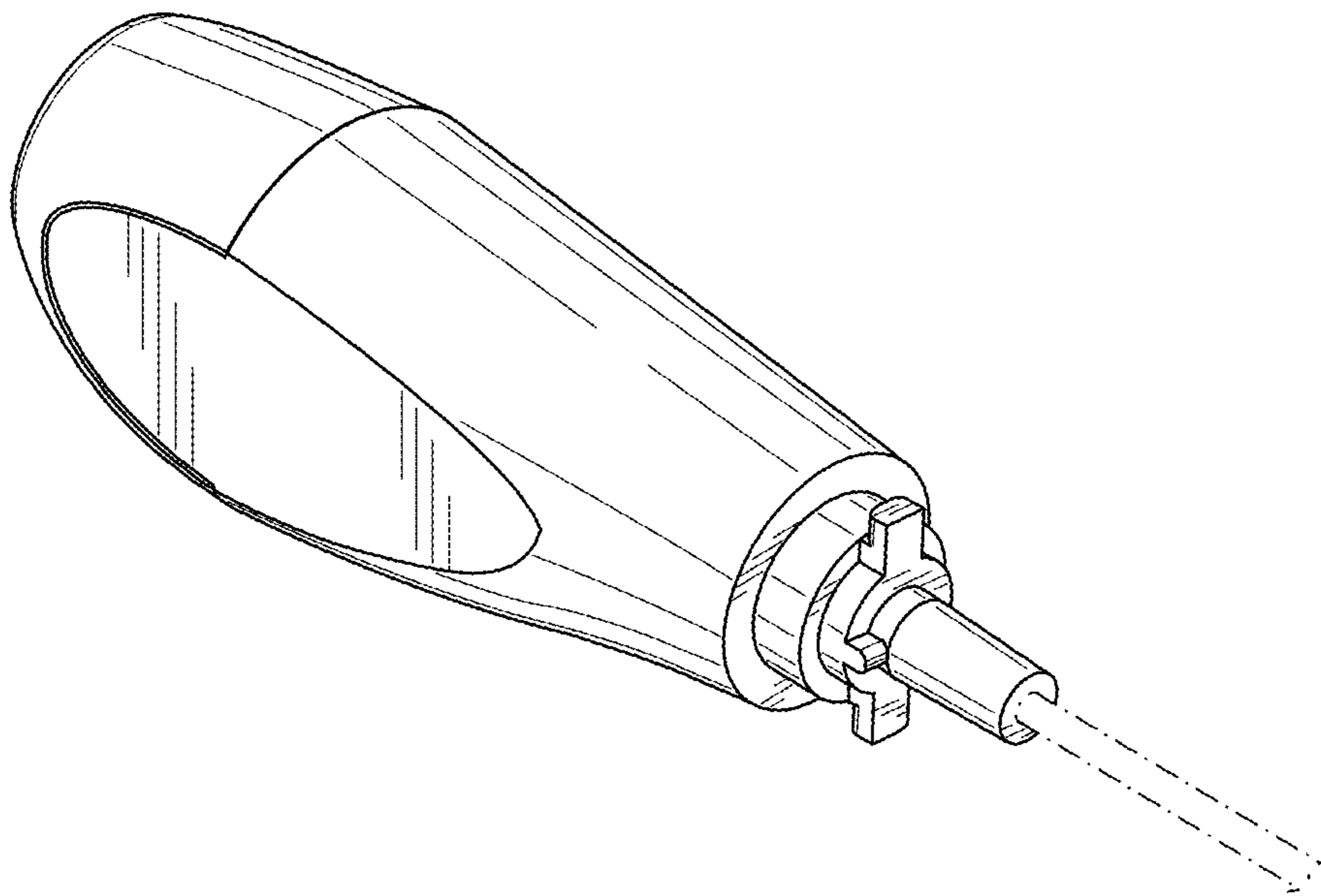


FIG. 1

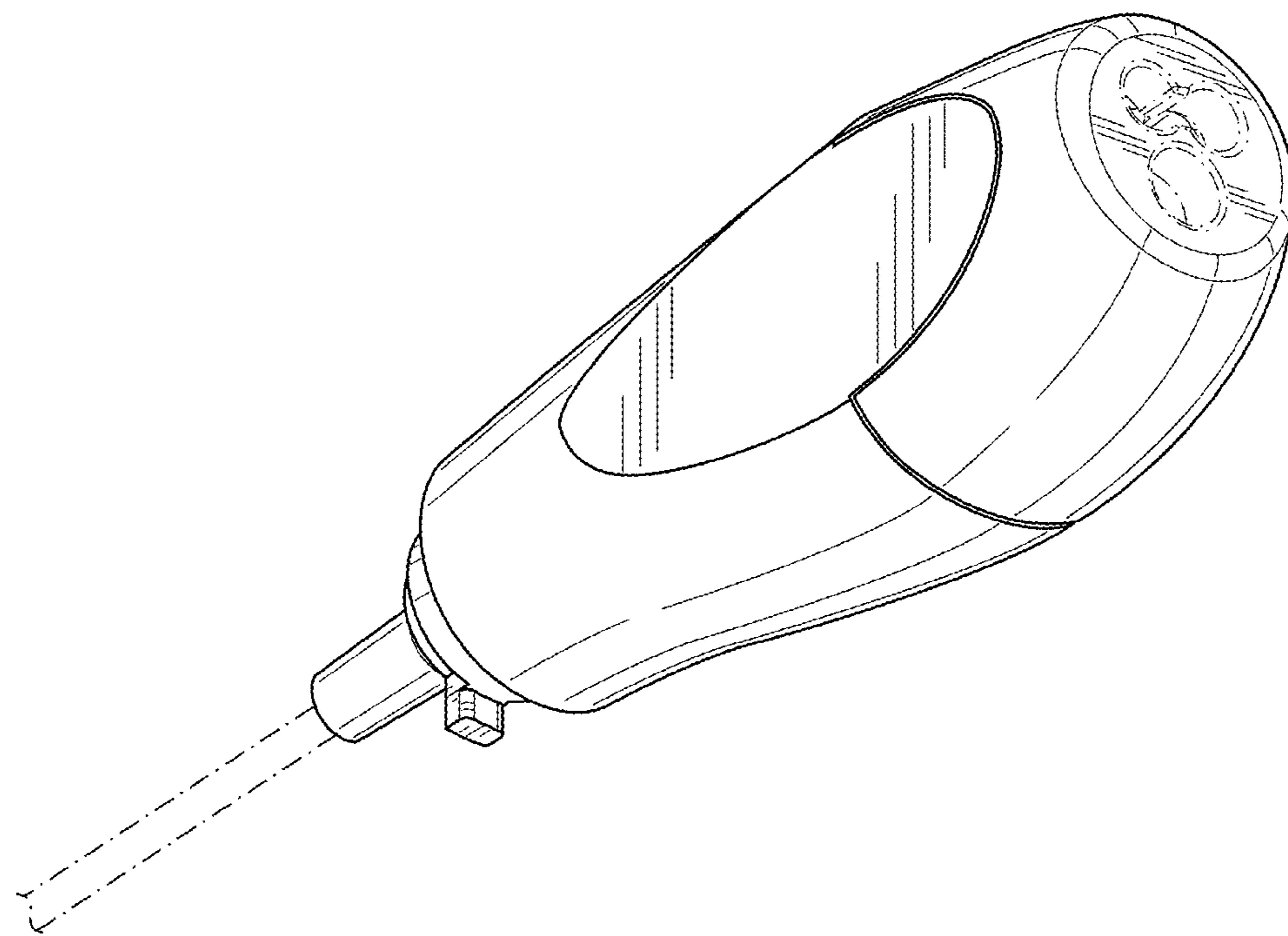


FIG. 2

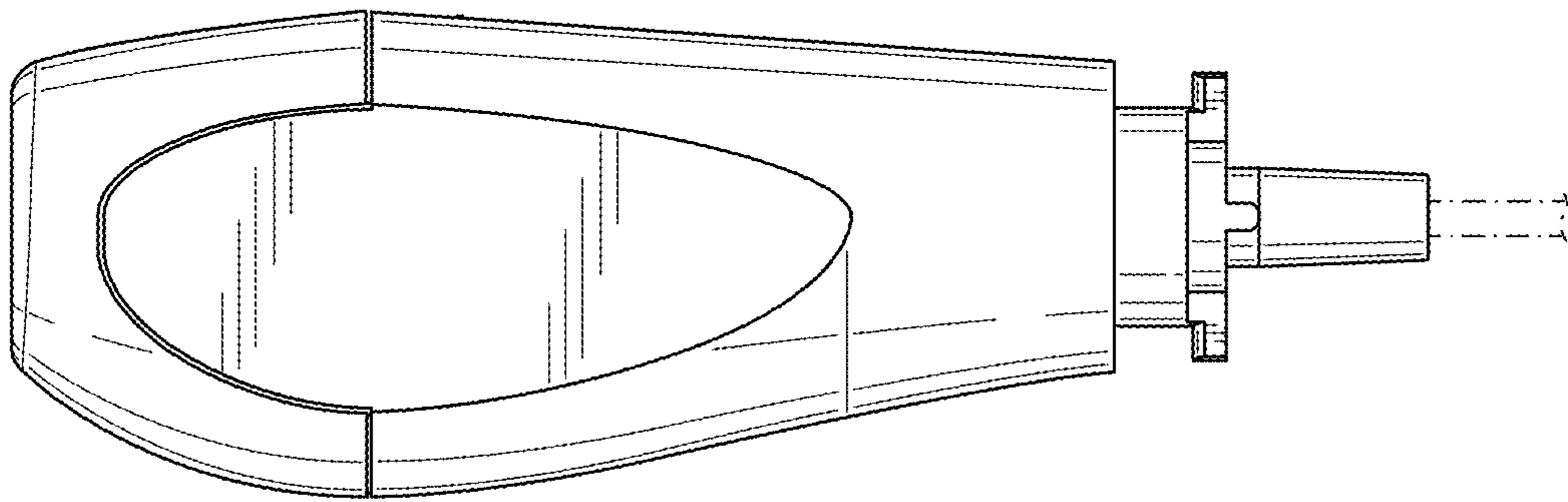


FIG. 3

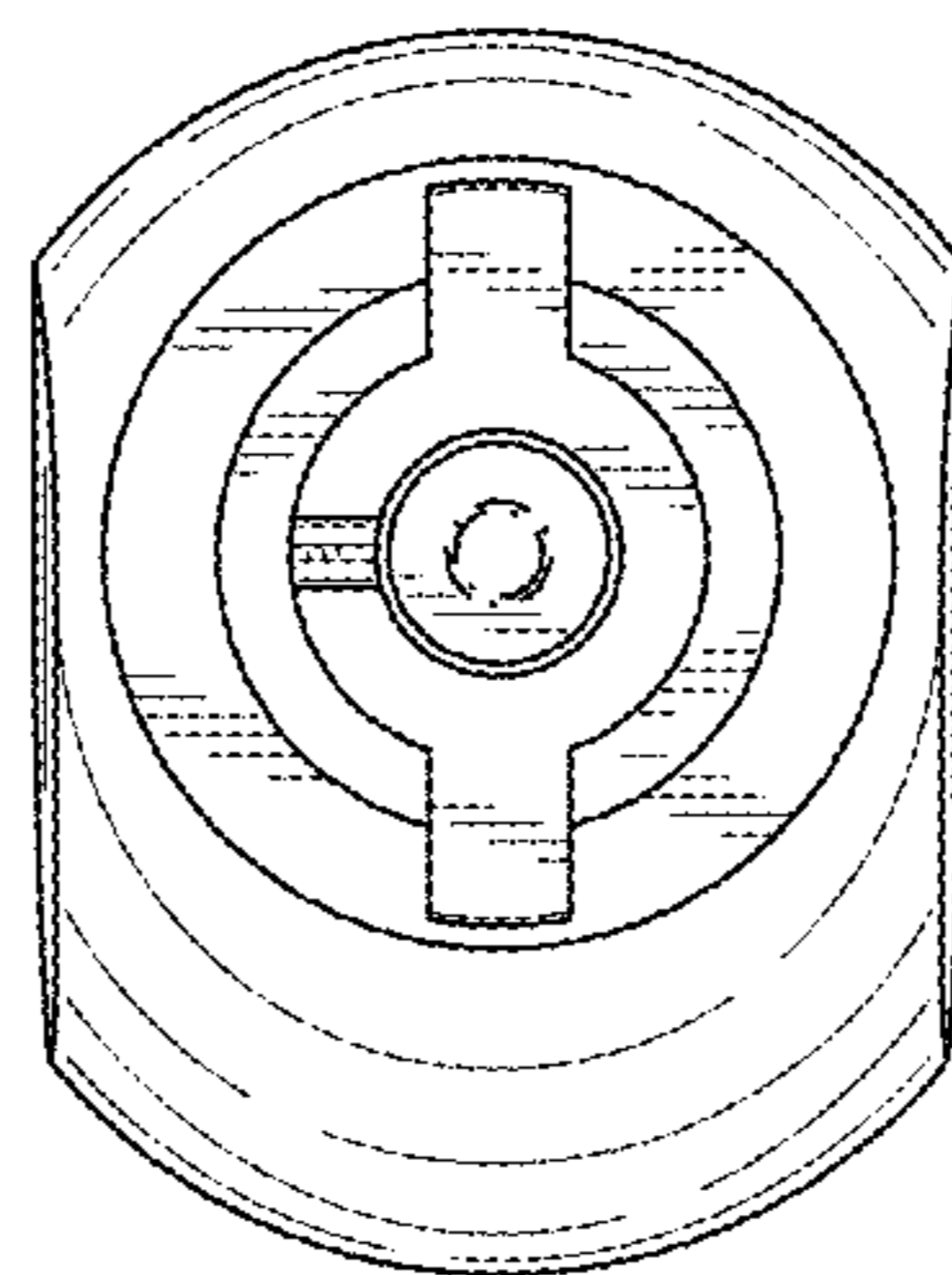


FIG. 4

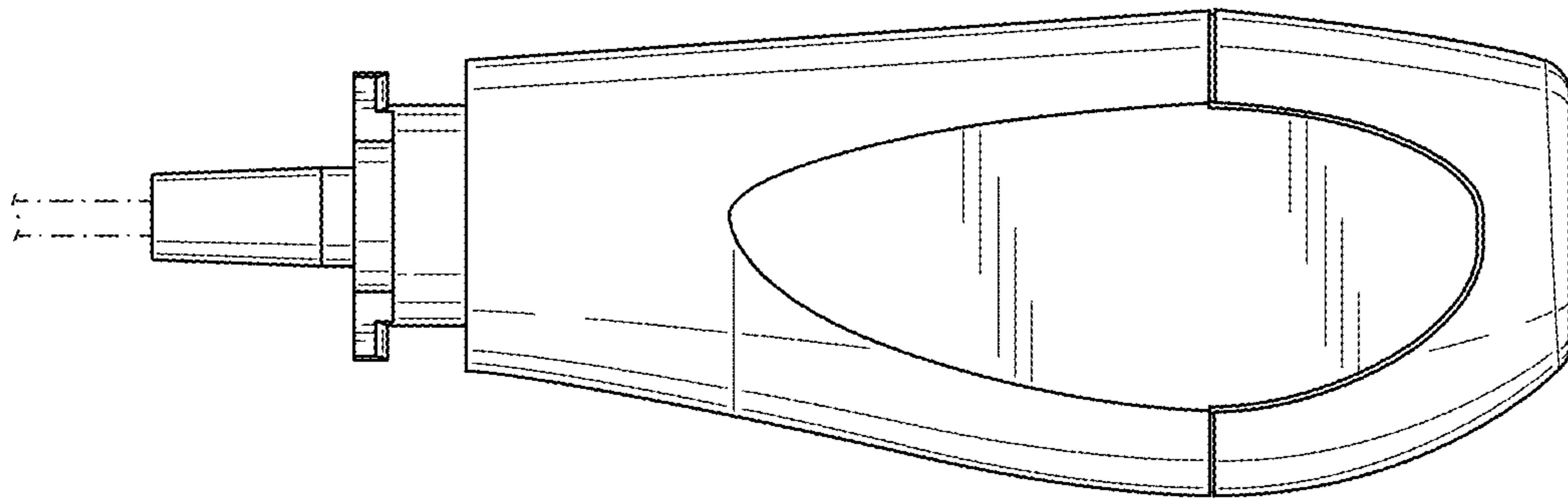


FIG. 5

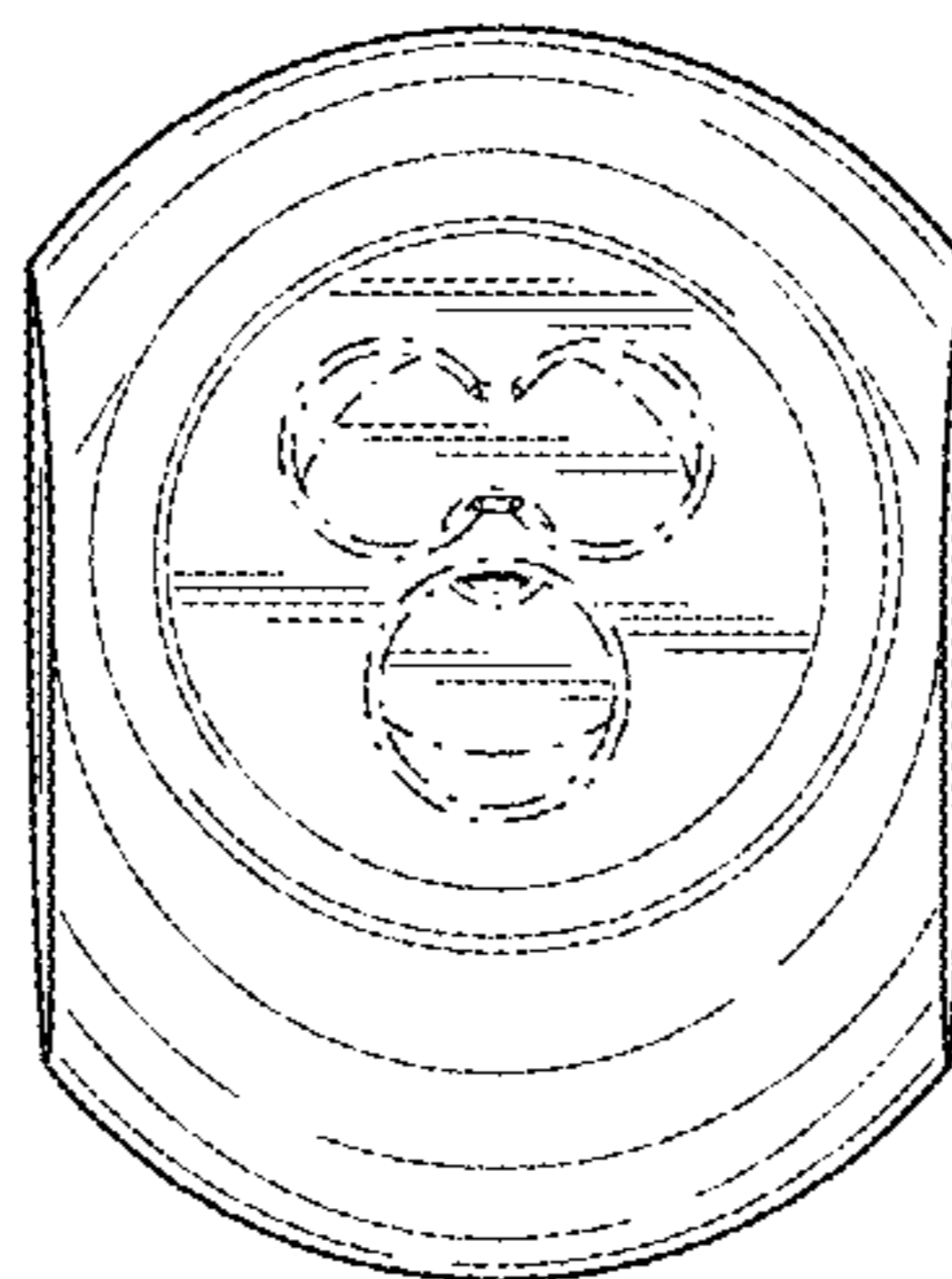


FIG. 6

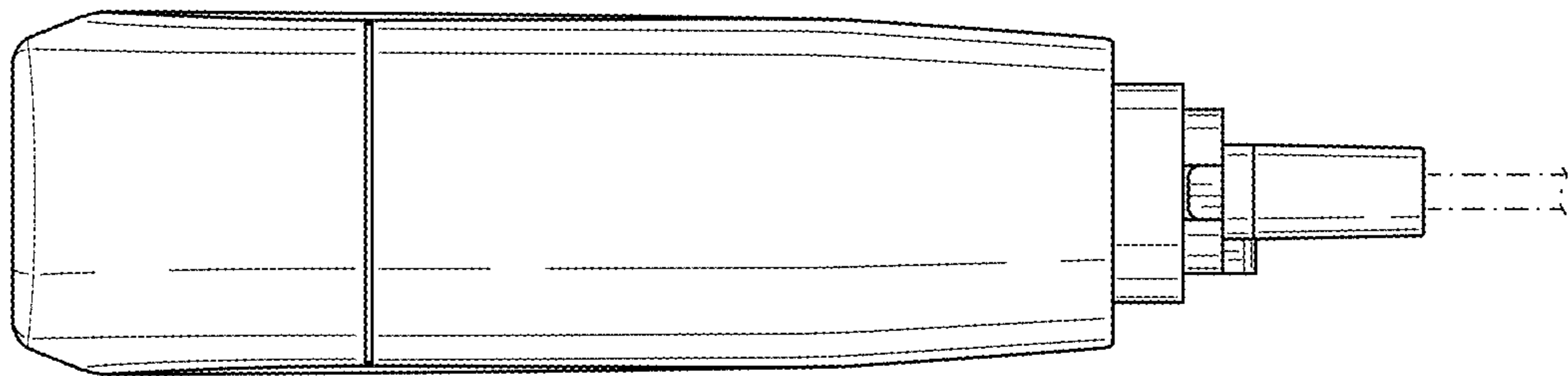


FIG. 7

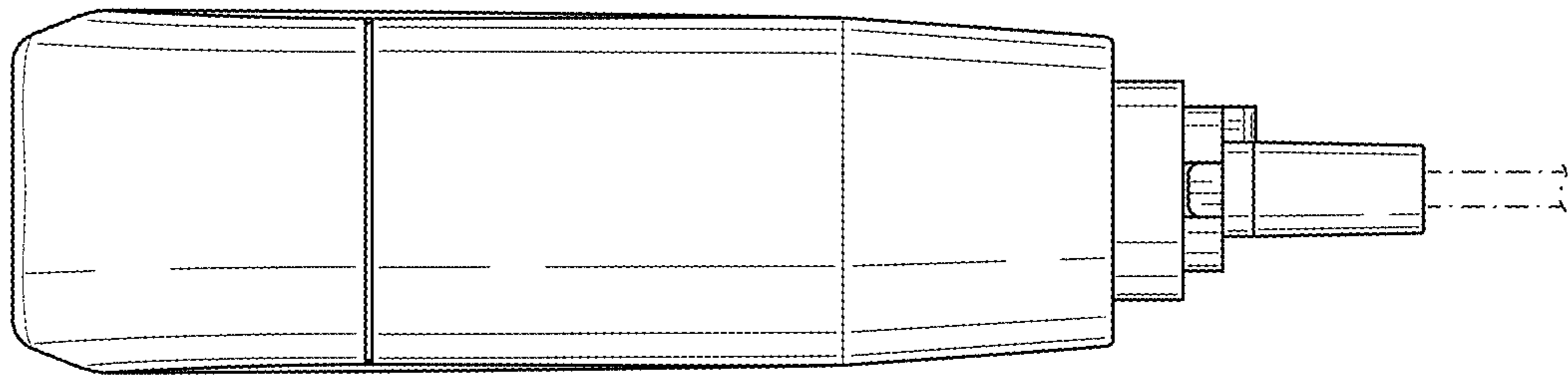


FIG. 8