



US00D791940S

(12) **United States Design Patent**  
**Maurice**

(10) **Patent No.:** **US D791,940 S**  
(45) **Date of Patent:** **\*\* Jul. 11, 2017**

- (54) **ENDOSCOPE CONNECTOR**
- (71) Applicant: **ERBE-USA, Inc.**, Marietta, GA (US)
- (72) Inventor: **Daniel G. Maurice**, Monument Beach, MA (US)
- (73) Assignee: **ERBE-USA, INC.**, Marietta, GA (US)
- (\*\*) Term: **15 Years**
- (21) Appl. No.: **29/548,911**
- (22) Filed: **Dec. 17, 2015**

- D624,181 S 9/2010 Harata et al.
- D636,079 S 4/2011 Leypold et al.
- D652,923 S 1/2012 Kennedy et al.
- D657,870 S 4/2012 Becker
- 8,152,790 B2 4/2012 Lopez et al.
- 8,206,375 B2 6/2012 Snow
- D676,544 S 2/2013 Blocher
- D678,521 S 3/2013 Mort et al.
- D693,465 S 11/2013 Koehler et al.
- D712,014 S 8/2014 Guest
- D717,432 S 11/2014 Leroy et al.
- D719,650 S 12/2014 Arinobe et al.
- D732,664 S 6/2015 Woehr et al.
- D739,527 S 9/2015 Chauvette

(Continued)

*Primary Examiner* — Garth Rademaker  
*Assistant Examiner* — Samantha Q Lawrence  
(74) *Attorney, Agent, or Firm* — Cooley LLP

**Related U.S. Application Data**

- (62) Division of application No. 29/485,448, filed on Mar. 19, 2014, now Pat. No. Des. 750,235.
- (51) **LOC (10) Cl.** ..... **24-02**
- (52) **U.S. Cl.**  
USPC ..... **D24/129**
- (58) **Field of Classification Search**  
USPC ..... D24/127, 128, 129, 130, 131, 138;  
600/101, 104, 164; 606/46  
See application file for complete search history.

(57) **CLAIM**

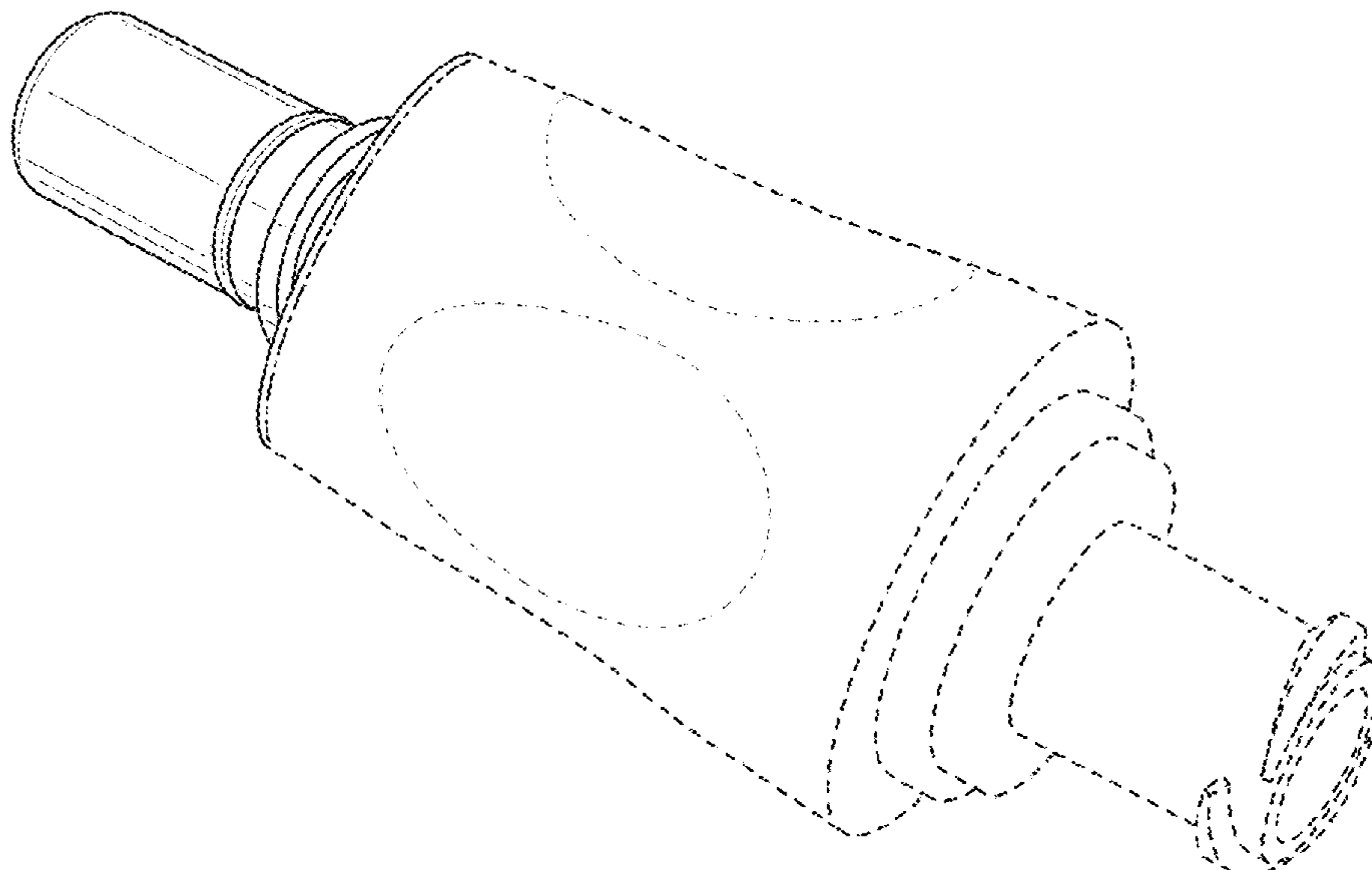
The ornamental design for an endoscope connector, as shown and described.

**DESCRIPTION**

FIG. 1 is a perspective view of an endoscope connector; FIG. 2 is a second perspective view thereof; FIG. 3 is a front view thereof; FIG. 4 is a rear view thereof; FIG. 5 is a top view thereof; FIG. 6 is a bottom view thereof; FIG. 7 is a left view thereof; and, FIG. 8 is a right side view thereof. The broken lines shown in FIGS. 1-6 and FIG. 8 immediately adjacent to the shaded areas illustrate the bounds of the claimed design and form no part of the claimed design. The broken lines shown in FIGS. 1-8 illustrate portions of the endoscope connector that form no part of the claimed design.

- (56) **References Cited**  
U.S. PATENT DOCUMENTS
- D239,025 S 3/1976 D'Alo
- D245,921 S 9/1977 Beran
- D266,790 S 11/1982 McCord
- D271,618 S 11/1983 Nishigaki
- D300,361 S 3/1989 Tokarz
- D302,729 S 8/1989 Stephens et al.
- 5,151,101 A 9/1992 Grossi et al.
- D340,316 S 10/1993 Zdrok
- D472,630 S 4/2003 Douglas et al.
- D496,998 S 10/2004 Pajunk et al.
- D612,496 S 3/2010 Bennison
- D613,403 S 4/2010 Poll et al.

**1 Claim, 7 Drawing Sheets**



(56)

**References Cited**

U.S. PATENT DOCUMENTS

D750,235 S \* 2/2016 Maurice ..... D24/129  
D750,236 S \* 2/2016 Maurice ..... D24/129  
2010/0125164 A1 5/2010 LaBombard  
2012/0088974 A1 4/2012 Maurice

\* cited by examiner

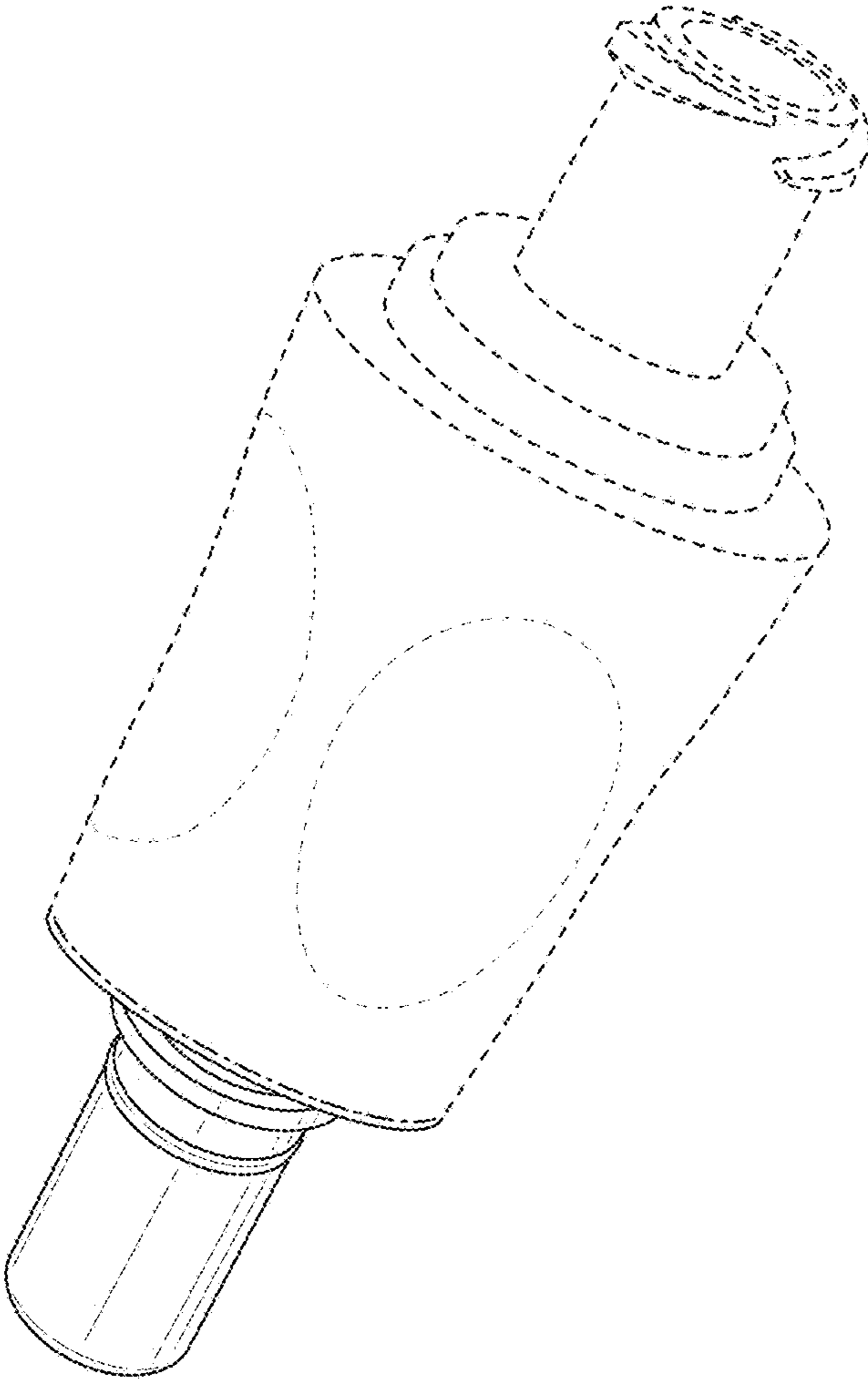


FIG. 1

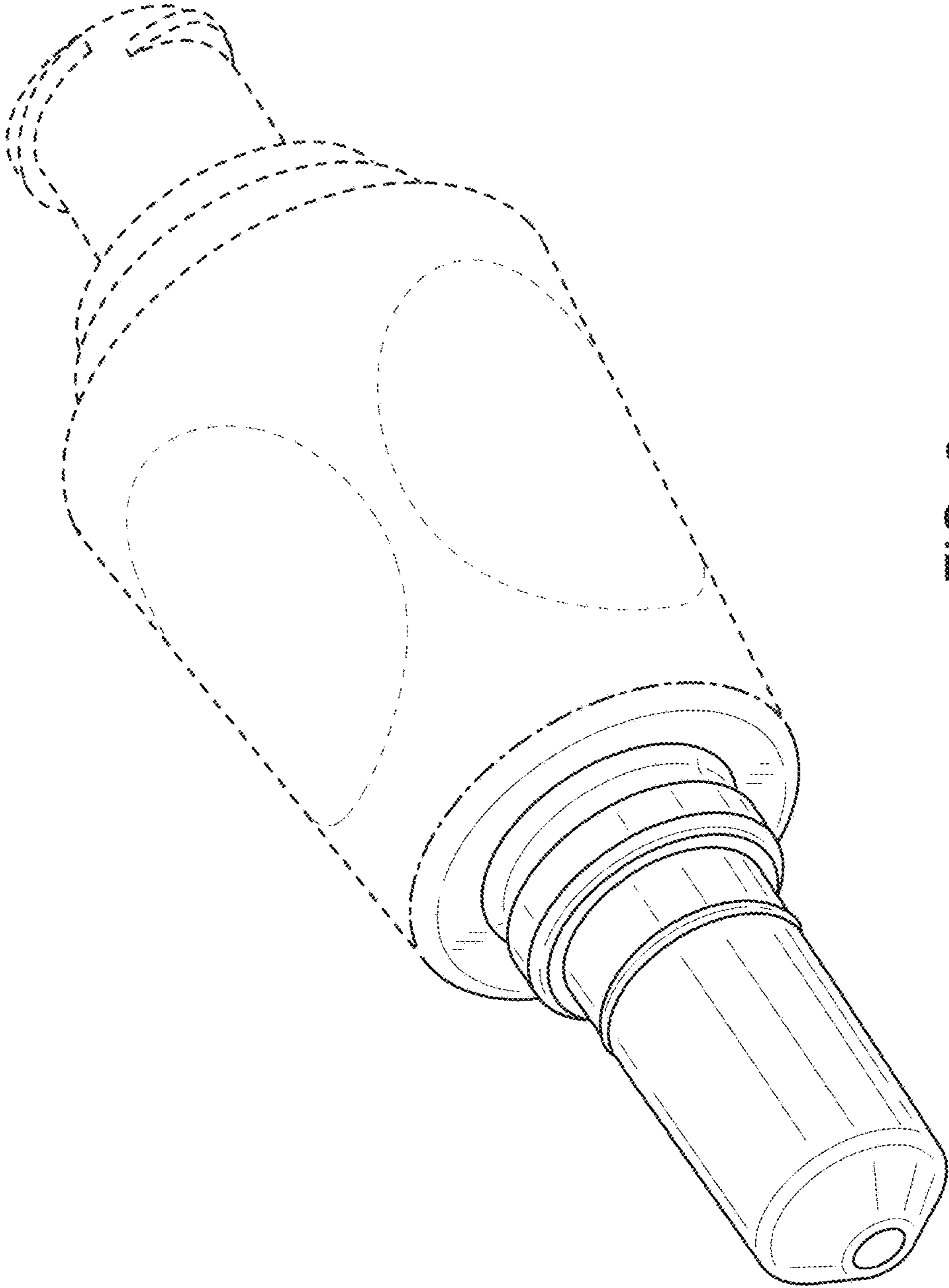


FIG. 2

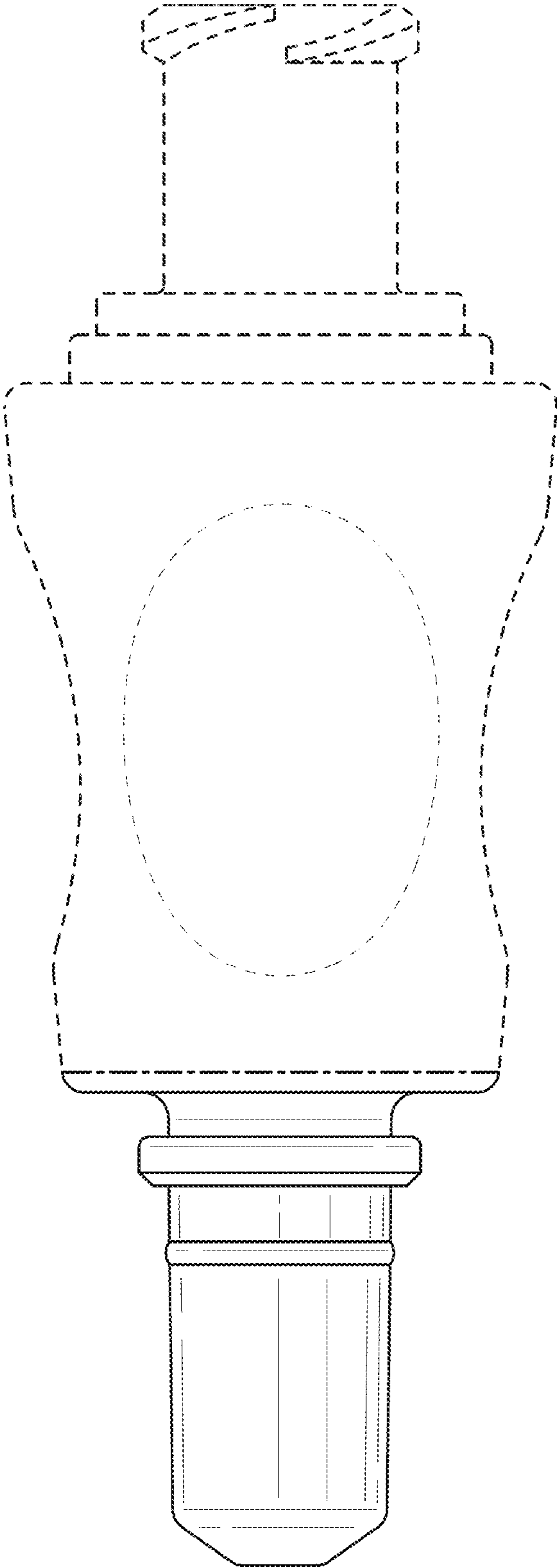


FIG. 3

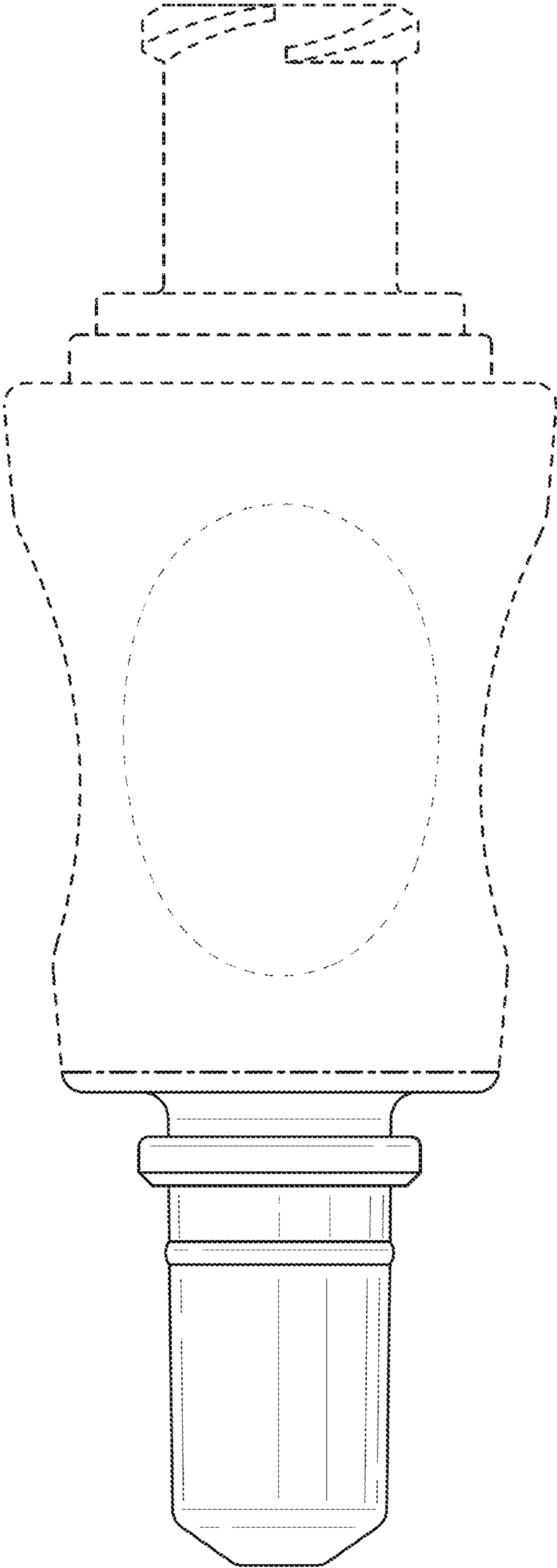


FIG. 4

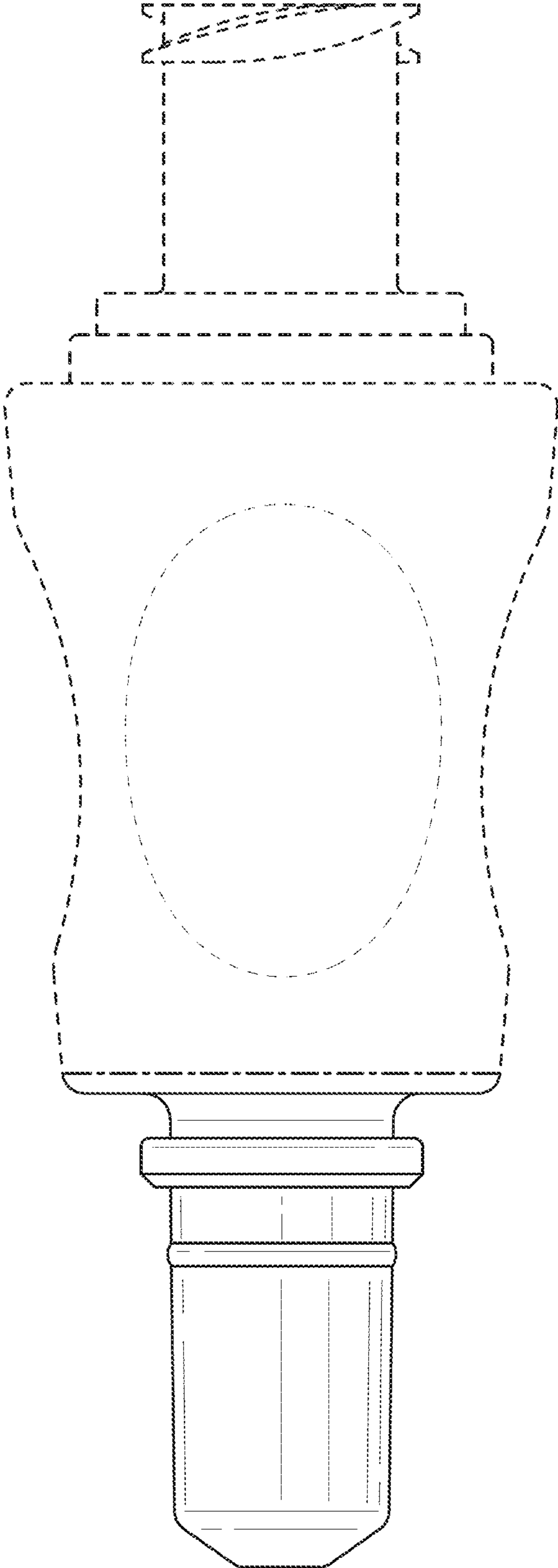


FIG. 5

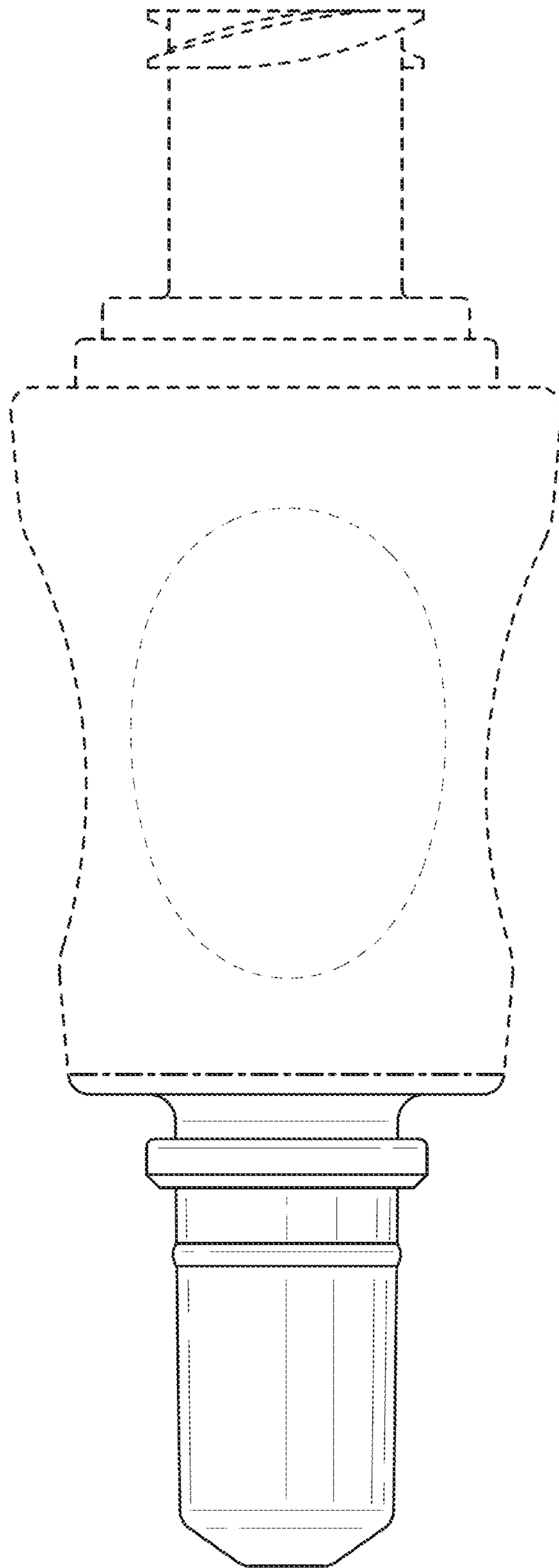


FIG. 6



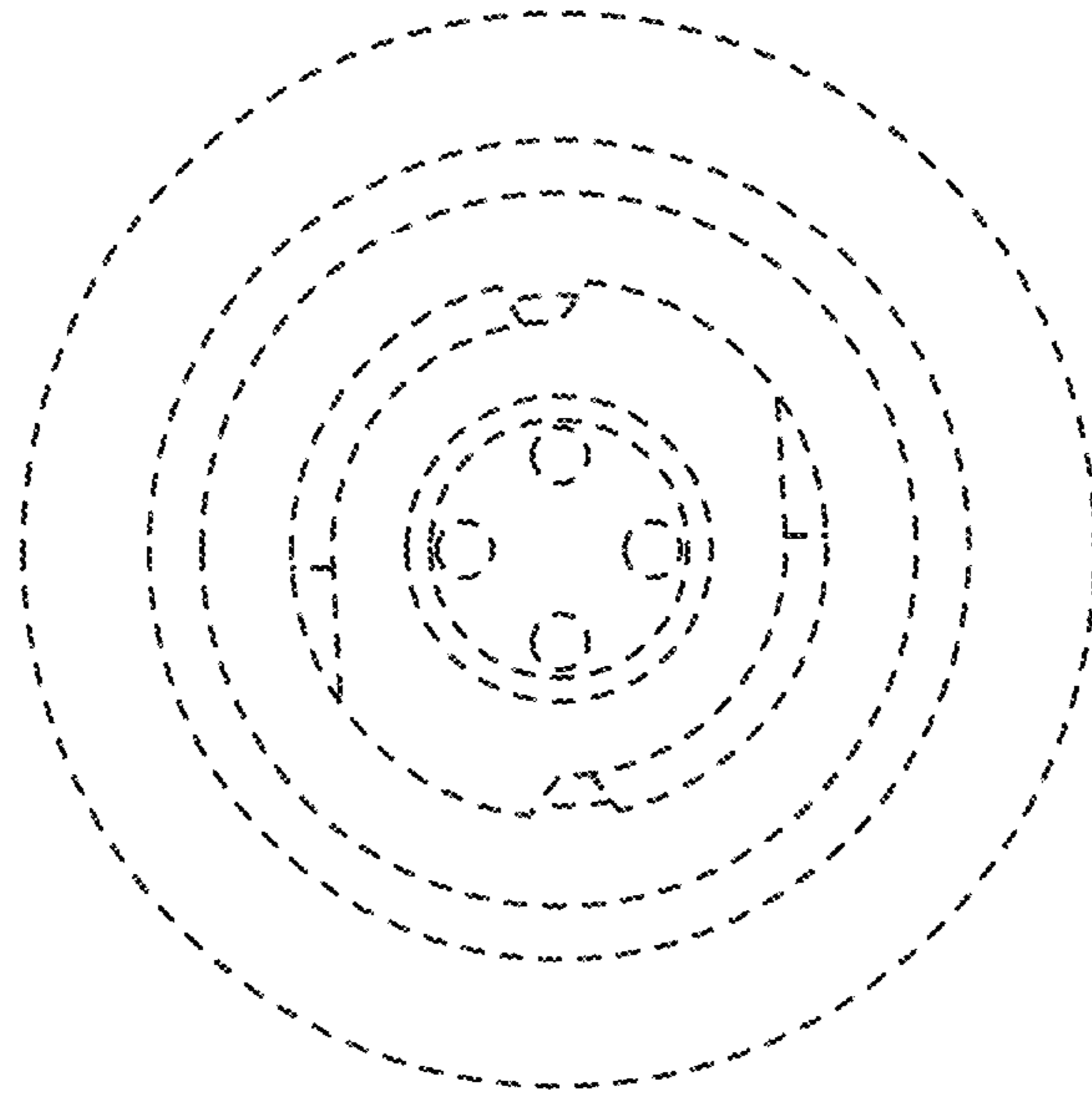


FIG. 8

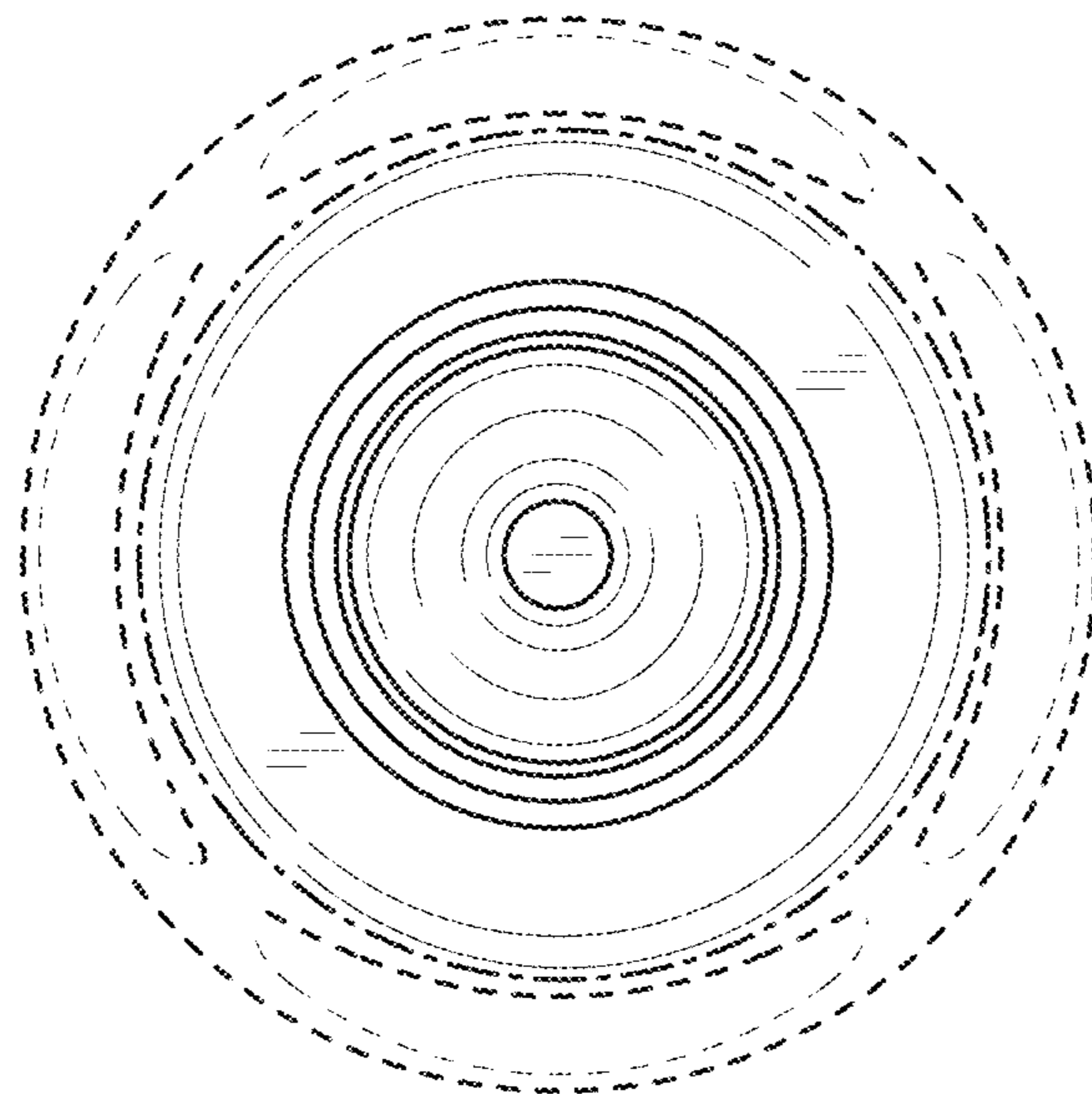


FIG. 7