



US00D791936S

(12) **United States Design Patent**
Davis et al.

(10) **Patent No.:** **US D791,936 S**
(45) **Date of Patent:** **** Jul. 11, 2017**

- (54) **SURGICAL SHIELD DEVICE**
- (71) Applicant: **Warsaw Orthopedic, Inc.**, Warsaw, IN (US)
- (72) Inventors: **Darren L. Davis**, Arlington, TN (US); **Anthony J. Melkent**, Germantown, TN (US); **Eric C. Lange**, Collierville, TN (US); **Paul Wheeler**, Hernando, MS (US)
- (73) Assignee: **Warsaw Orthopedic, Inc.**, Warsaw, IN (US)
- (**) Term: **15 Years**

- (21) Appl. No.: **29/554,464**
- (22) Filed: **Feb. 11, 2016**
- (51) **LOC (10) Cl.** **24-02**
- (52) **U.S. Cl.**
USPC **D24/127**
- (58) **Field of Classification Search**
USPC D24/127-131, 112-114, 133, 186; 606/181, 185; 604/506, 264, 523-528, 604/272, 187, 158, 164.01-164.11, 181, 604/184, 227; 600/101, 139, 143; 128/200.24, 207.14, 207.15
CPC A61M 25/00; A61M 39/00; A61M 27/00; A61M 25/0043; A61M 25/0067; A61M 25/0097; A61F 2/958
See application file for complete search history.

(56) **References Cited**

U.S. PATENT DOCUMENTS

- D281,906 S * 12/1985 Gianni D24/131
- 5,895,407 A * 4/1999 Jayaraman A61F 2/91 604/104

- D594,117 S * 6/2009 Patzer D24/129
- D611,141 S * 3/2010 Yodfat D24/130
- 7,775,990 B2 * 8/2010 DeHart A61B 5/150022 600/573
- D642,261 S * 7/2011 York D24/130
- D677,379 S * 3/2013 Orsing D24/108
- D692,143 S * 10/2013 shahidi bonjar D24/112
- D702,343 S * 4/2014 Dale D24/129
- D702,835 S * 4/2014 Vinchon D24/130
- D709,753 S * 7/2014 Guala D24/112
- D718,439 S * 11/2014 Woehr D24/130
- D750,239 S * 2/2016 Pappalardo D24/130

* cited by examiner

Primary Examiner — David Muller

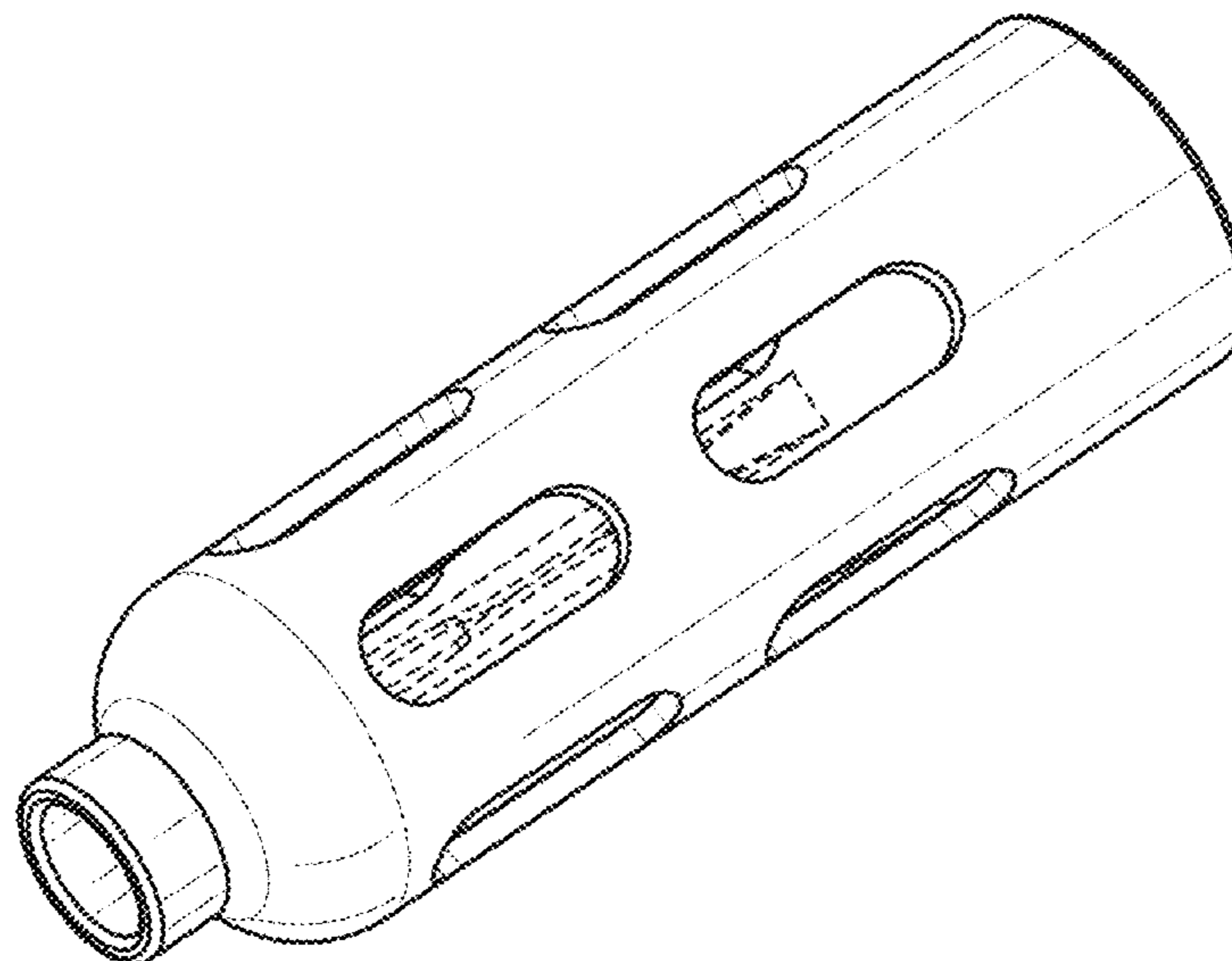
(57) **CLAIM**

The ornamental design for the surgical shield device, as shown and described.

DESCRIPTION

FIG. 1 is a perspective view of an embodiment of a surgical shield device;
 FIG. 2 is a perspective view of the embodiment shown in FIG. 1;
 FIG. 3 is a side view of the embodiment shown in FIG. 1;
 FIG. 4 is a side view of the embodiment shown in FIG. 1;
 FIG. 5 is an end view of the embodiment shown in FIG. 1;
 FIG. 6 is an end view of the embodiment shown in FIG. 1;
 and,
 FIG. 7 is a perspective view of the embodiment shown in FIG. 1.
 The features shown in broken lines depict environmental subject matter only and form no part of the claimed design.

1 Claim, 6 Drawing Sheets



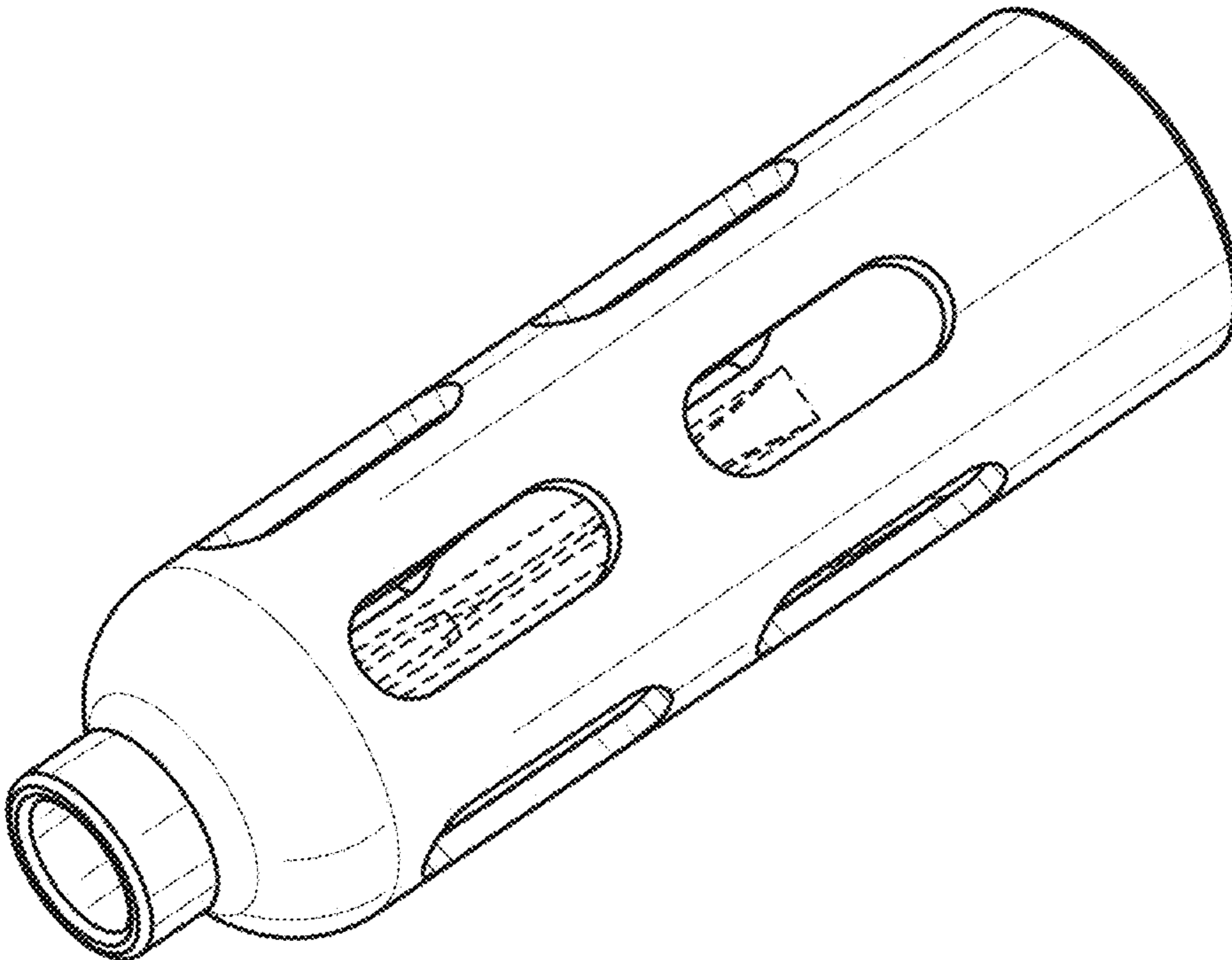


FIG. 1

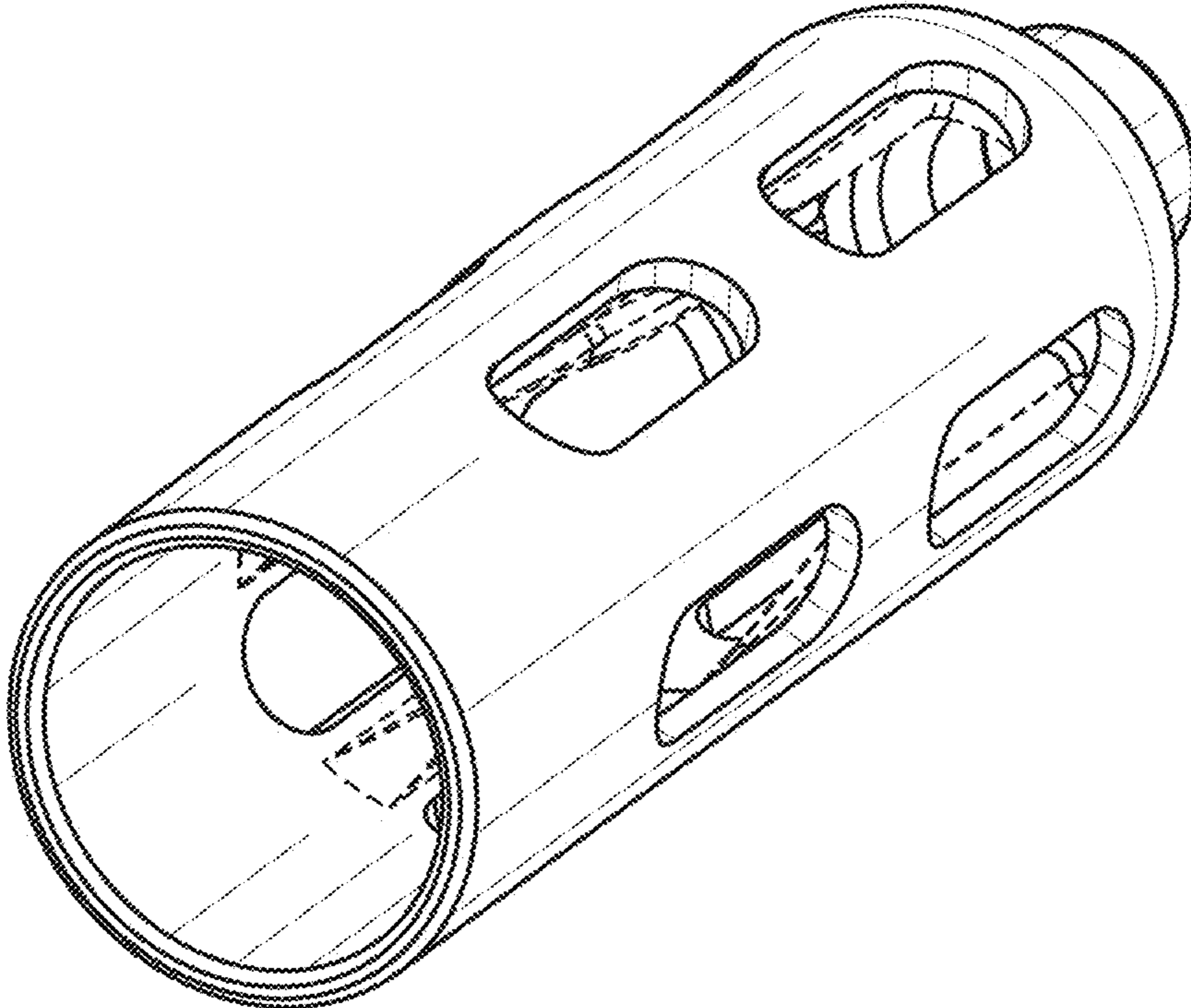


FIG. 2

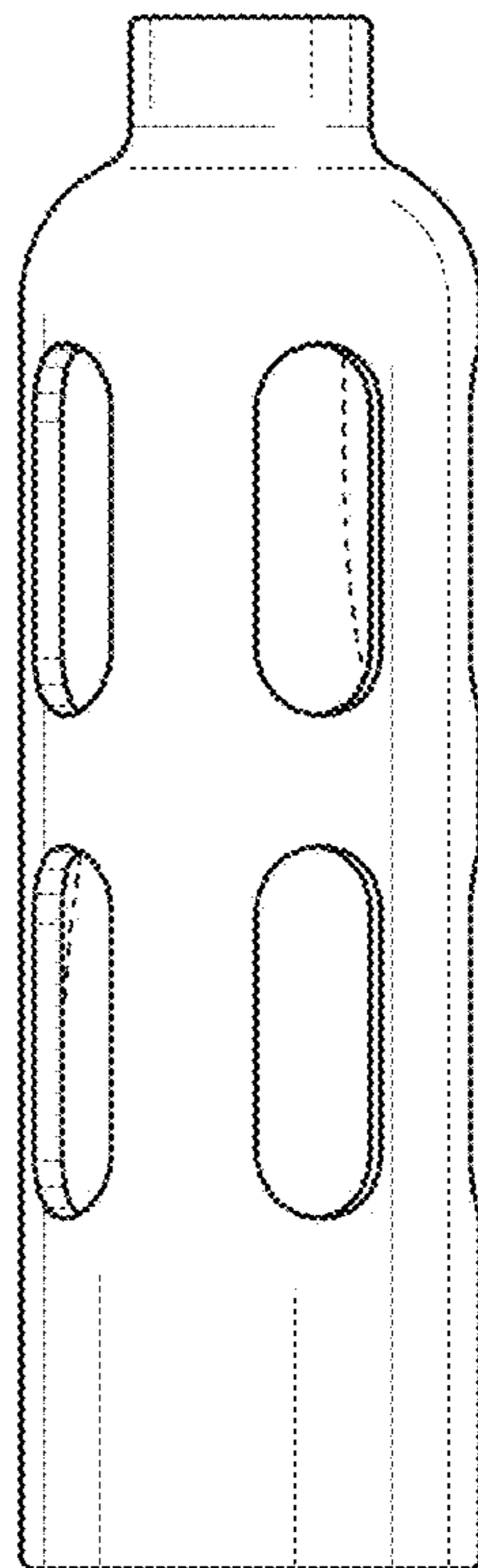


FIG. 3

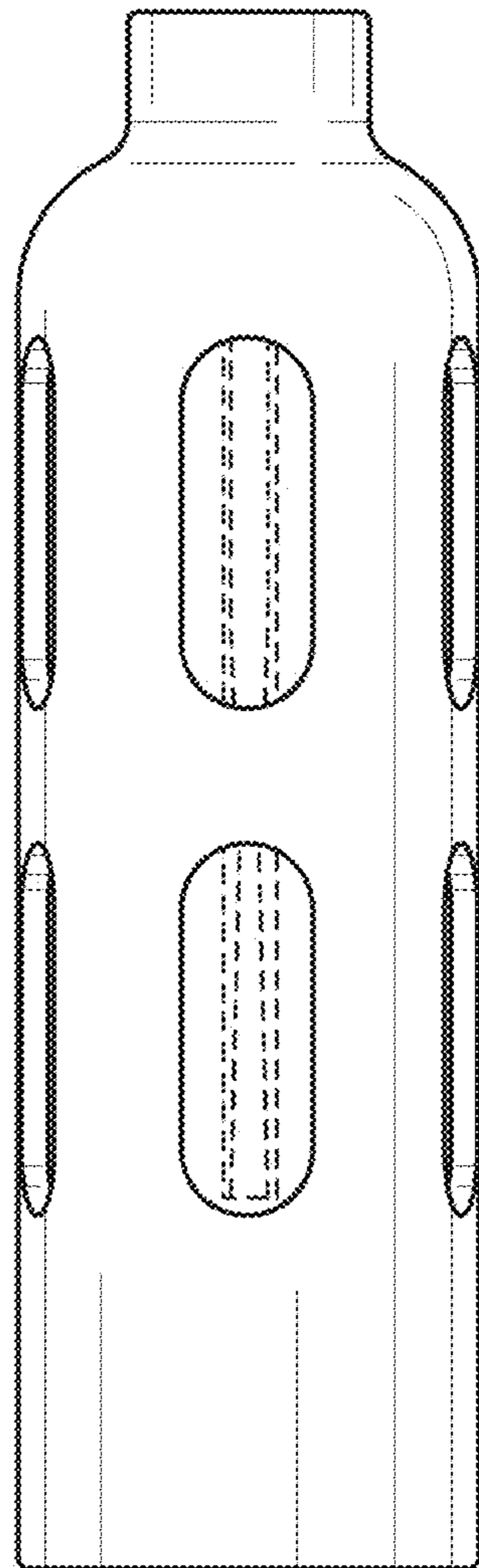


FIG. 4

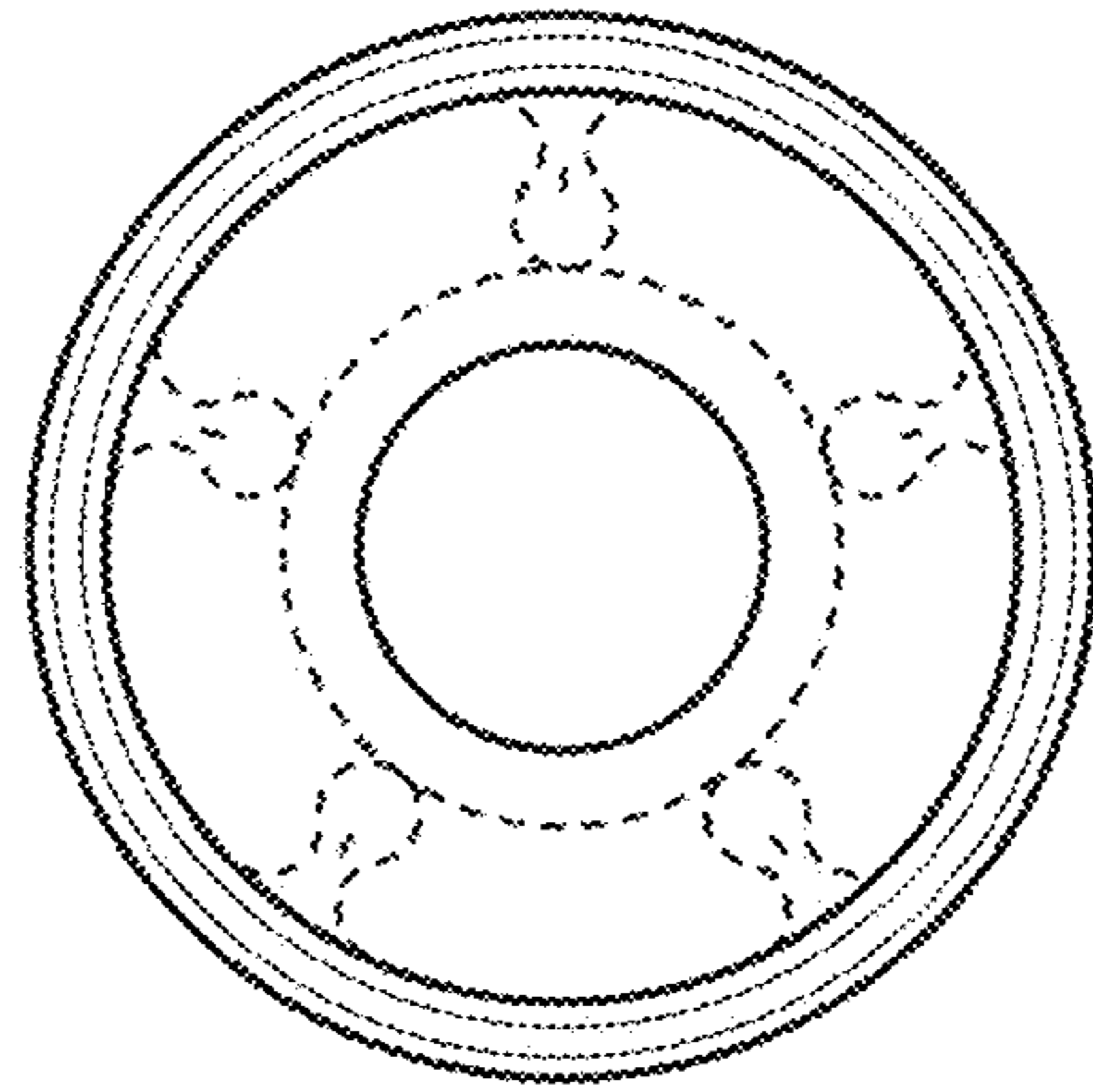


FIG. 5

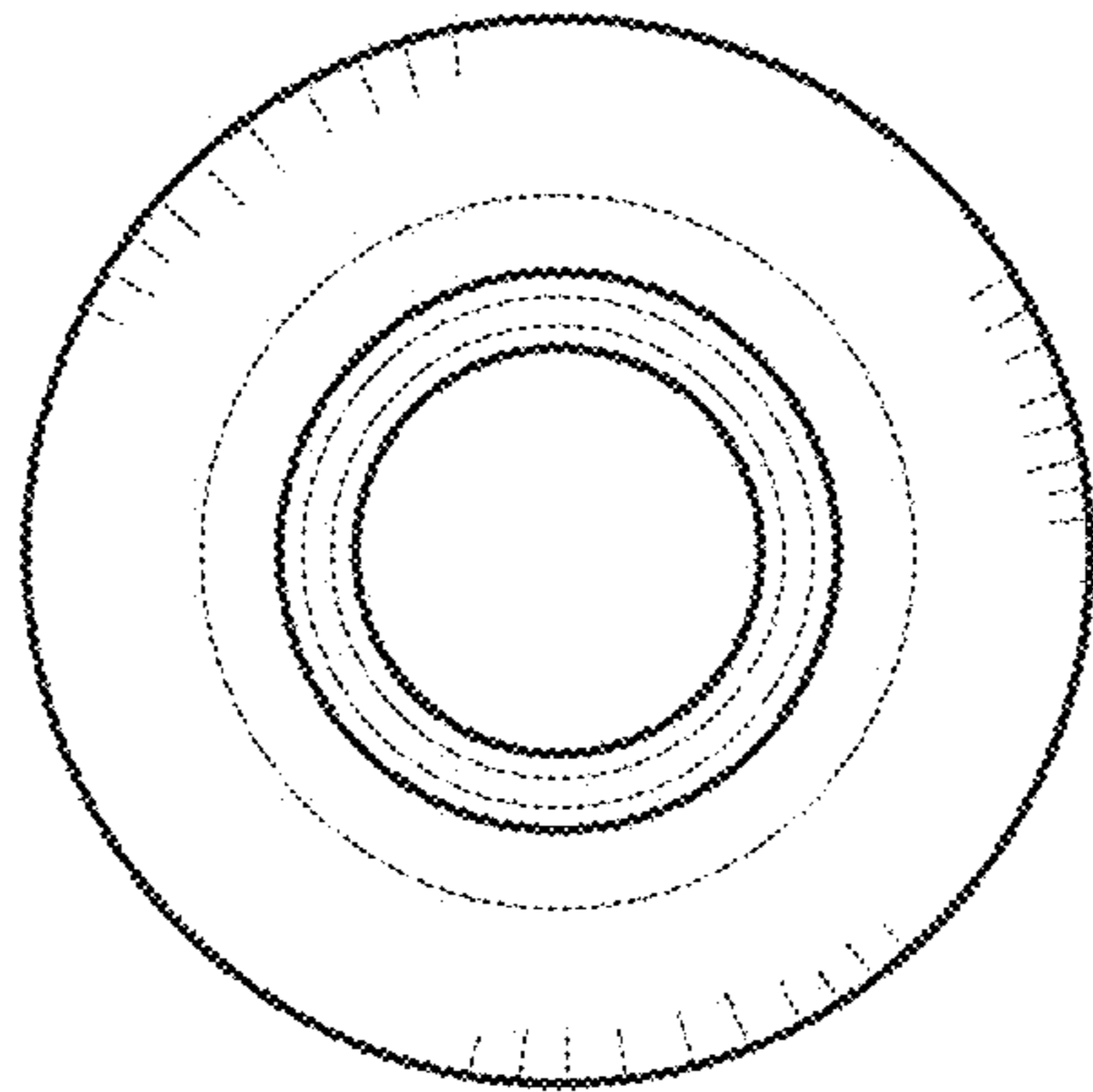


FIG. 6

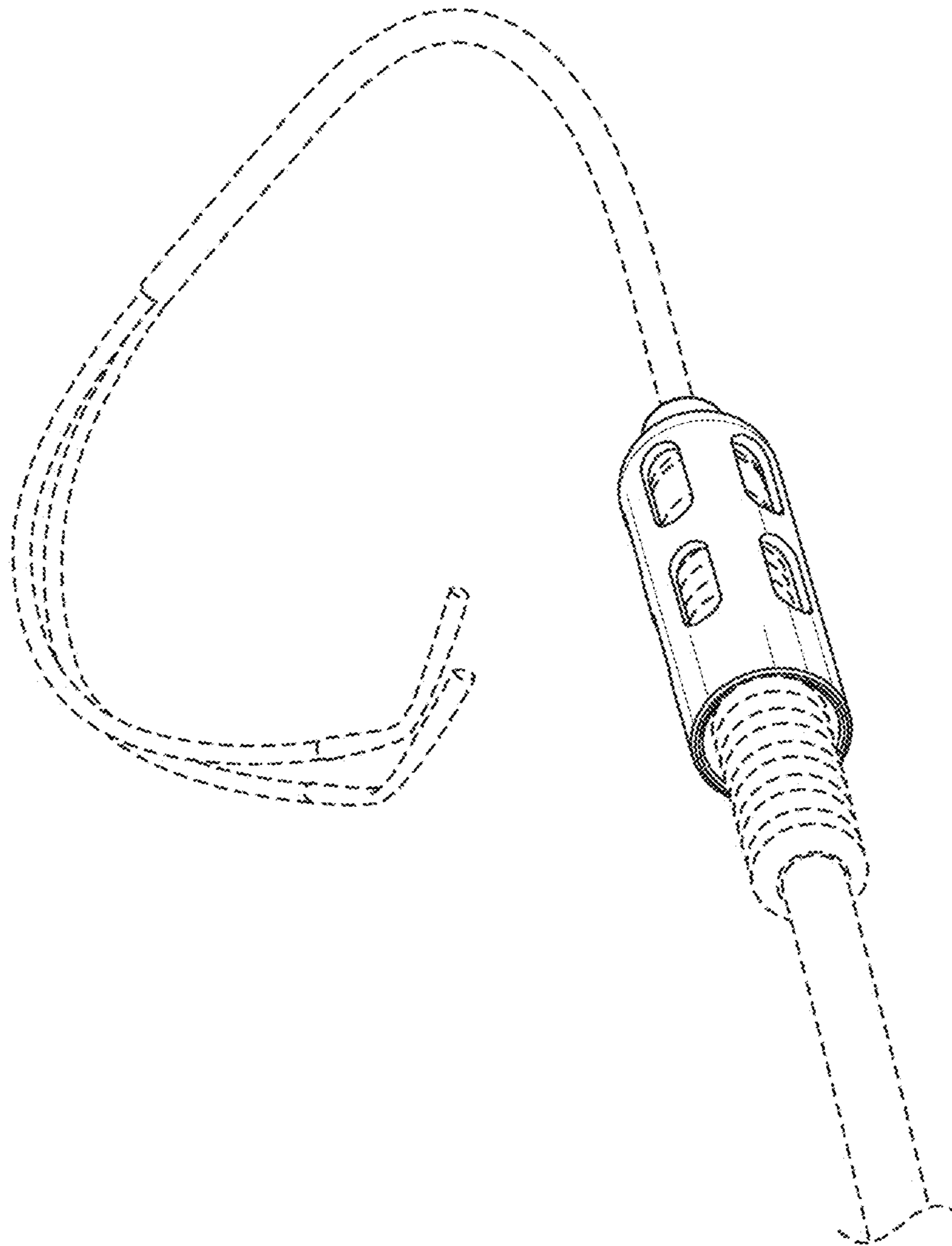


FIG. 7

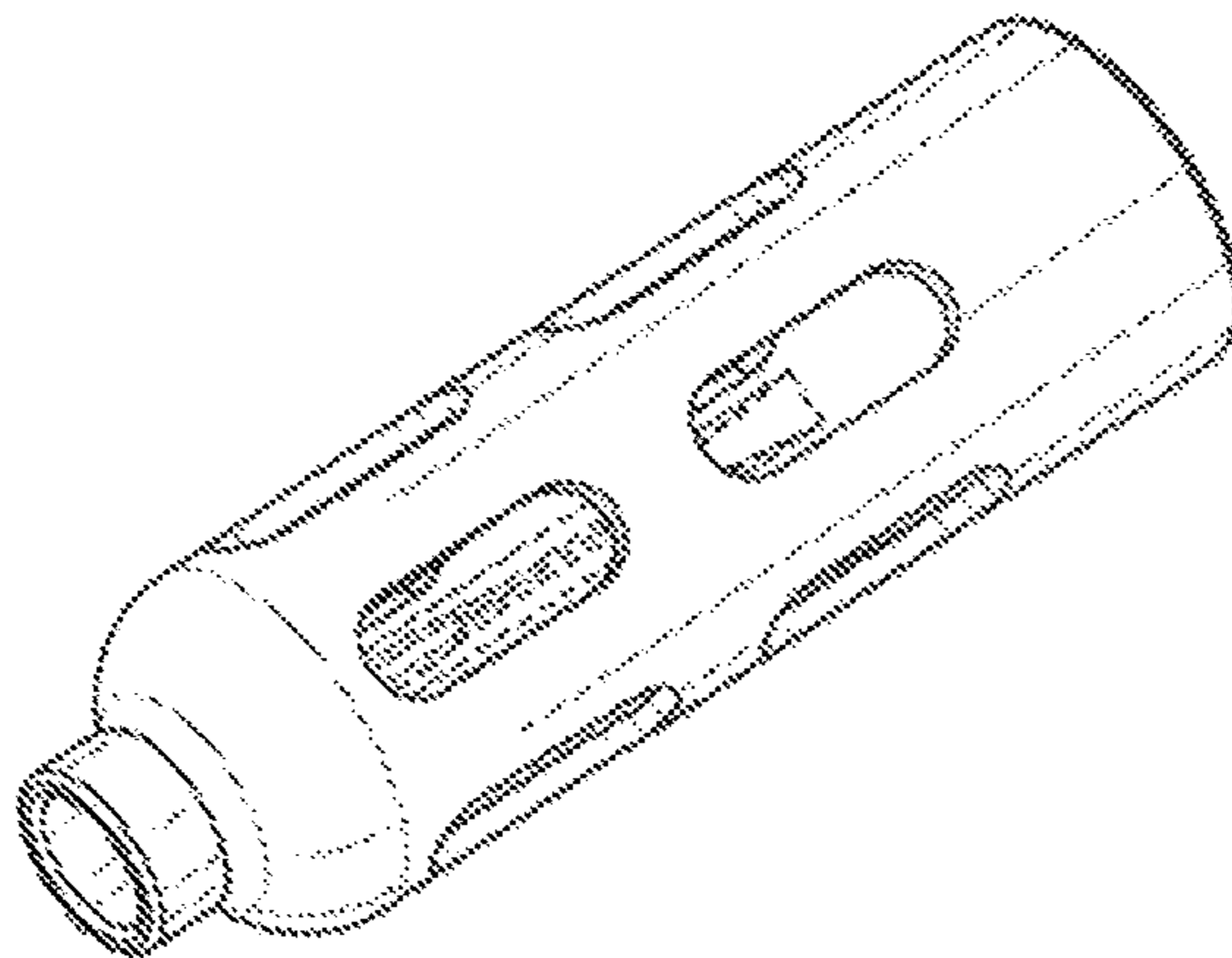
UNITED STATES PATENT AND TRADEMARK OFFICE
CERTIFICATE OF CORRECTION

PATENT NO. : D791,936 S
APPLICATION NO. : 29/554464
DATED : July 11, 2017
INVENTOR(S) : Davis et al.

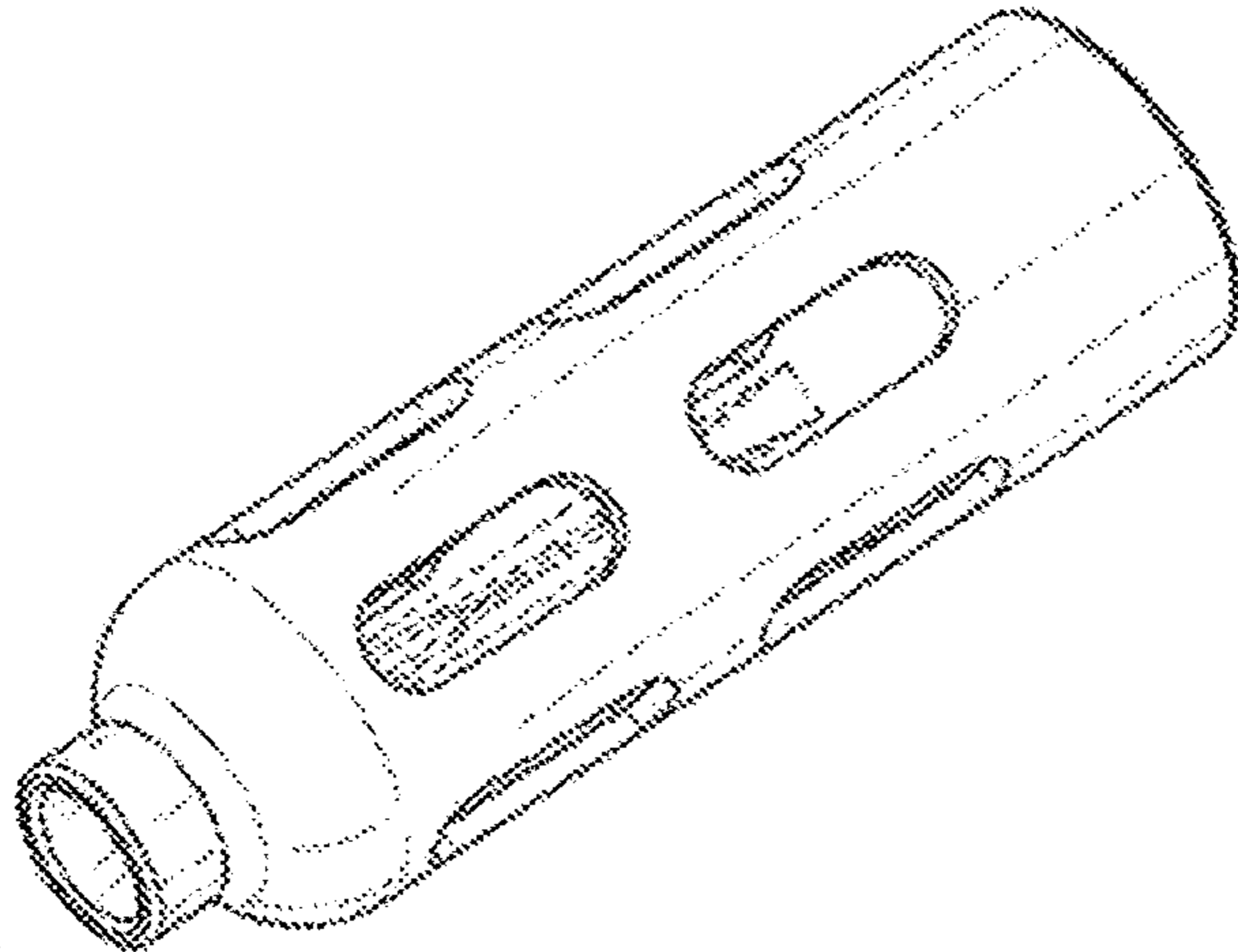
Page 1 of 1

It is certified that error appears in the above-identified patent and that said Letters Patent is hereby corrected as shown below:

On the Title Page



In the Figure, delete “.....” and



insert --

--, therefor.

Signed and Sealed this
Twenty-second Day of May, 2018

Handwritten signature of Andrei Iancu.

Andrei Iancu
Director of the United States Patent and Trademark Office