



US00D791929S

(12) **United States Design Patent**  
**Honnecke et al.**

(10) **Patent No.:** **US D791,929 S**

(45) **Date of Patent:** **\*\* Jul. 11, 2017**

(54) **TRANSITION SPACER**

(71) Applicants: **Von Honnecke**, Lakewood, CO (US);  
**Chase Honnecke**, Denver, CO (US)

(72) Inventors: **Von Honnecke**, Lakewood, CO (US);  
**Chase Honnecke**, Denver, CO (US)

(\*\*) Term: **14 Years**

(21) Appl. No.: **29/521,365**

(22) Filed: **Mar. 23, 2015**

(51) **LOC (10) Cl.** ..... **23-04**

(52) **U.S. Cl.**  
USPC ..... **D23/393**

(58) **Field of Classification Search**

USPC ..... D14/356; D10/93, 104.1, 108, 114;  
D8/4, 25, 52; D17/20, 22, 23; D23/323,  
D23/328, 333, 335, 336, 337, 341, 352,  
D23/357, 370, 385, 386, 397, 399, 400,  
D23/406, 411, 413, 499, 382, 388, 391,  
D23/392, 393, 394, 395; D13/182  
CPC ..... H01R 13/5213; B60Q 1/04; B60Q 1/26;  
G10D 3/006; G10D 13/023; G10D  
13/027; B25B 15/001; G10H 3/143;  
G10H 3/181; G10G 5/005; A42B 1/04;  
B64C 11/04; B64C 11/16; B64C 11/18;  
B64C 11/20; B64C 2001/009; F03D  
3/062; F03D 11/04; F04D 19/002; F04D  
25/068; F04D 25/088; F24F 1/0018; F24F  
13/24; B64D 13/02; B64D 13/00; E04C  
2/427; E06B 3/5892; E06B 7/02; B24B  
37/04; E04F 17/00; E21F

(Continued)

(56) **References Cited**

**U.S. PATENT DOCUMENTS**

2,847,034 A \* 8/1958 Swett ..... F16L 9/003  
138/158  
2,905,201 A \* 9/1959 McNaughton ..... H02G 3/0437  
138/159

(Continued)

**OTHER PUBLICATIONS**

Air-conditioning Ductwork, image post date Feb. 8, 2010, site visited Feb. 25, 2017, (online), <<https://www.tineye.com/search/82deec67e972268809fff225c9f7dbace1b9cc67/>>.\*

(Continued)

*Primary Examiner* — Kevin Rudzinski

*Assistant Examiner* — Sean D Lough

(74) *Attorney, Agent, or Firm* — Reilly Intellectual Property Law Firm

(57) **CLAIM**

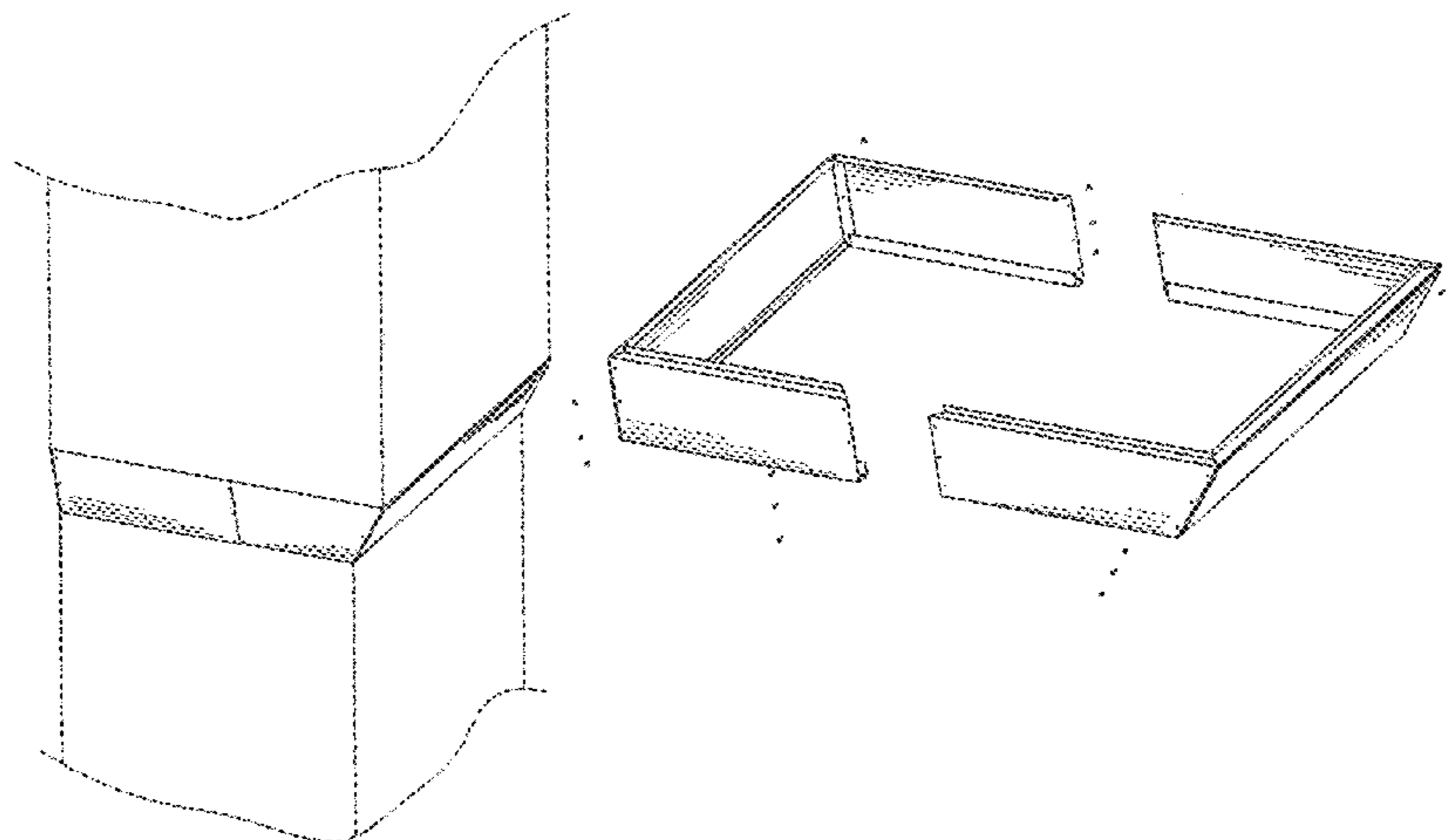
The ornamental design for a transition spacer, as shown and described.

**DESCRIPTION**

FIG. 1 is a front perspective view of the first embodiment of a transition spacer;  
FIG. 2 is an exploded perspective view of the embodiment shown in FIG. 1;  
FIG. 3 is a front view of FIG. 1;  
FIG. 4 is a top view of FIG. 1;  
FIG. 5 is a side view of FIG. 4;  
FIG. 6 is a bottom view of FIG. 1;  
FIG. 7 is an opposite view of FIG. 3;  
FIG. 8 is a front perspective view of a second embodiment of a transition spacer;  
FIG. 9 is an exploded perspective view of the embodiment shown in FIG. 8;  
FIG. 10 is a front view of FIG. 8;  
FIG. 11 is a top view of FIG. 8;  
FIG. 12 is a side view of FIG. 11;  
FIG. 13 is a bottom view of FIG. 8; and,  
FIG. 14 is an opposite view of FIG. 10.

The broken lines used in FIG. 1 and FIG. 9 of the drawings disclosure illustrate environment of the transition spacer only and form no part of the claimed design.

**1 Claim, 4 Drawing Sheets**



# US D791,929 S

(58) **Field of Classification Search**  
 CPC . 1/04; F01P 1/02; F17C 13/04; F22B 1/1876;  
 F22B 1/22; F22B 3/04  
 See application file for complete search history.

(56) **References Cited**  
 U.S. PATENT DOCUMENTS

3,012,605 A \* 12/1961 Turk ..... E06B 7/02  
 160/91  
 3,110,357 A \* 11/1963 Jenn ..... F24F 7/025  
 181/224  
 3,217,450 A \* 11/1965 Brownstein ..... E04F 19/08  
 52/213  
 3,454,128 A \* 7/1969 Nopper ..... F24F 7/02  
 181/224  
 3,628,442 A \* 12/1971 Nijhuis ..... A01K 31/22  
 454/277  
 3,907,050 A \* 9/1975 Mullings ..... F24H 9/02  
 138/157  
 D271,900 S \* 12/1983 Efstratis ..... D23/387  
 4,586,349 A \* 5/1986 Ohishi ..... F24F 13/24  
 454/201  
 D295,313 S \* 4/1988 Barnett ..... D12/183  
 4,747,505 A \* 5/1988 Hansen ..... E04H 1/1238  
 220/4.28  
 4,887,399 A \* 12/1989 Berger ..... F24F 13/32  
 248/678  
 5,035,853 A \* 7/1991 Lettau ..... G21C 3/3566  
 376/441  
 D350,532 S \* 9/1994 Phelps ..... D13/184  
 5,473,114 A \* 12/1995 Vogel ..... B65G 51/18  
 174/47  
 5,496,213 A \* 3/1996 Miller ..... E04B 1/7076  
 249/39  
 D372,968 S \* 8/1996 White ..... D23/386  
 5,558,139 A \* 9/1996 Snyder ..... A62B 7/02  
 128/201.21  
 D377,682 S \* 1/1997 Schlosser ..... D23/314  
 D379,501 S \* 5/1997 Airosa ..... D23/371  
 5,787,974 A \* 8/1998 Pennington ..... F28D 9/04  
 165/164  
 D401,497 S \* 11/1998 Terrell ..... D13/155  
 5,832,674 A \* 11/1998 Ledbetter ..... E04D 13/0315  
 181/224  
 D408,512 S \* 4/1999 Hurst ..... D23/365  
 5,901,768 A \* 5/1999 Herbst ..... E06B 5/003  
 160/90  
 5,943,873 A \* 8/1999 Chung ..... F24F 1/027  
 62/262  
 6,076,780 A \* 6/2000 Honnecke ..... F16L 3/137  
 248/59  
 D438,293 S \* 2/2001 Munoz, Jr. .... D23/355  
 6,508,076 B1 \* 1/2003 Gast ..... B60H 1/00014  
 454/137  
 D505,195 S \* 5/2005 Snyder ..... D23/393  
 7,075,005 B1 \* 7/2006 Drane ..... H02G 3/185  
 174/50  
 D556,314 S \* 11/2007 Daniels, II ..... D23/393  
 D566,760 S \* 4/2008 Cristofaro ..... D19/32  
 D569,493 S \* 5/2008 Weinberger ..... D23/409  
 D575,389 S \* 8/2008 Lazzara ..... D23/403  
 D581,505 S \* 11/2008 North ..... D23/356

7,549,463 B1 \* 6/2009 Schmeler ..... C21B 7/10  
 165/168  
 D595,833 S \* 7/2009 Lazzara ..... D23/403  
 7,722,208 B1 \* 5/2010 Dupre ..... F21S 8/02  
 362/147  
 D617,442 S \* 6/2010 Grages ..... D23/393  
 D618,503 S \* 6/2010 Baacke ..... D7/402  
 D628,015 S \* 11/2010 Baacke ..... D7/402  
 D631,431 S \* 1/2011 DeFelice ..... D13/102  
 D654,161 S \* 2/2012 Holland ..... D23/373  
 D676,264 S \* 2/2013 Lee ..... D6/717  
 8,595,989 B1 \* 12/2013 Greene ..... E04H 7/065  
 52/182  
 D713,949 S \* 9/2014 Moore ..... D23/386  
 D720,447 S \* 12/2014 Korda ..... F16N 31/002  
 D23/386  
 D727,486 S \* 4/2015 Sebert ..... D23/365  
 D733,862 S \* 7/2015 Klunker ..... D23/372  
 D736,417 S \* 8/2015 Di Marzio ..... D25/164  
 D736,418 S \* 8/2015 Di Marzio ..... D25/164  
 D739,050 S \* 9/2015 Di Marzio ..... D25/164  
 D740,969 S \* 10/2015 Di Marzio ..... D25/164  
 D752,190 S \* 3/2016 Denooy ..... D23/267  
 D752,770 S \* 3/2016 Kuhn ..... D24/227  
 D754,839 S \* 4/2016 Aruga ..... D23/393  
 D757,240 S \* 5/2016 Forlong ..... D23/393  
 D761,943 S \* 7/2016 Yamamoto ..... D23/323  
 D770,029 S \* 10/2016 Guillemi ..... D23/392  
 D770,267 S \* 11/2016 Roan ..... D8/395  
 D771,232 S \* 11/2016 Coon ..... D23/393  
 D776,302 S \* 1/2017 Baker ..... D25/136  
 D777,901 S \* 1/2017 Whittmore ..... D23/370  
 2002/0081963 A1 \* 6/2002 Wasson ..... E06B 7/02  
 454/195  
 2007/0095608 A1 \* 5/2007 Taylor ..... E06B 9/04  
 182/78  
 2007/0173191 A1 \* 7/2007 Daniels, II ..... F24F 7/02  
 454/250  
 2009/0104867 A1 \* 4/2009 Sherman ..... E06B 7/02  
 454/205  
 2013/0319482 A1 \* 12/2013 Vallejo Noriega . A47L 15/4285  
 134/99.1  
 2014/0120407 A1 \* 5/2014 Hofer ..... H01M 2/206  
 429/159  
 2014/0190661 A1 \* 7/2014 Balbo Di Vinadio .... F24F 3/06  
 165/67  
 2014/0346302 A1 \* 11/2014 Vignali ..... B64D 13/02  
 248/309.1

OTHER PUBLICATIONS

Half Section Rectangular Stack Duct, image post date Nov. 6, 2012, site visited Feb. 25, 2017, (online), <<http://www.homedepot.com/p/3-25-in-x-12-in-x-5-ft-Half-Section-Rectangular-Stack-Duct-RD3-25X12X60/100142202>>.\*  
 Rectangular Stack Duct Starting Collar, image post date Sep. 14, 2012, site visited Feb. 25, 2017, (online), <<http://www.homedepot.com/p/3-1-4-in-x-10-in-Rectangular-Stack-Duct-Starting-Collar-SCF3-25X10/100139382>>.\*  
 Duct from Pieces, image post date 2007, site visited Feb. 25, 2017, (online), <<http://www.ductworkinstallation.com/DIGuide/DuctworkInstallationTipsTricks5/tabid/457/Default.aspx>>.\*

\* cited by examiner

Fig. 1

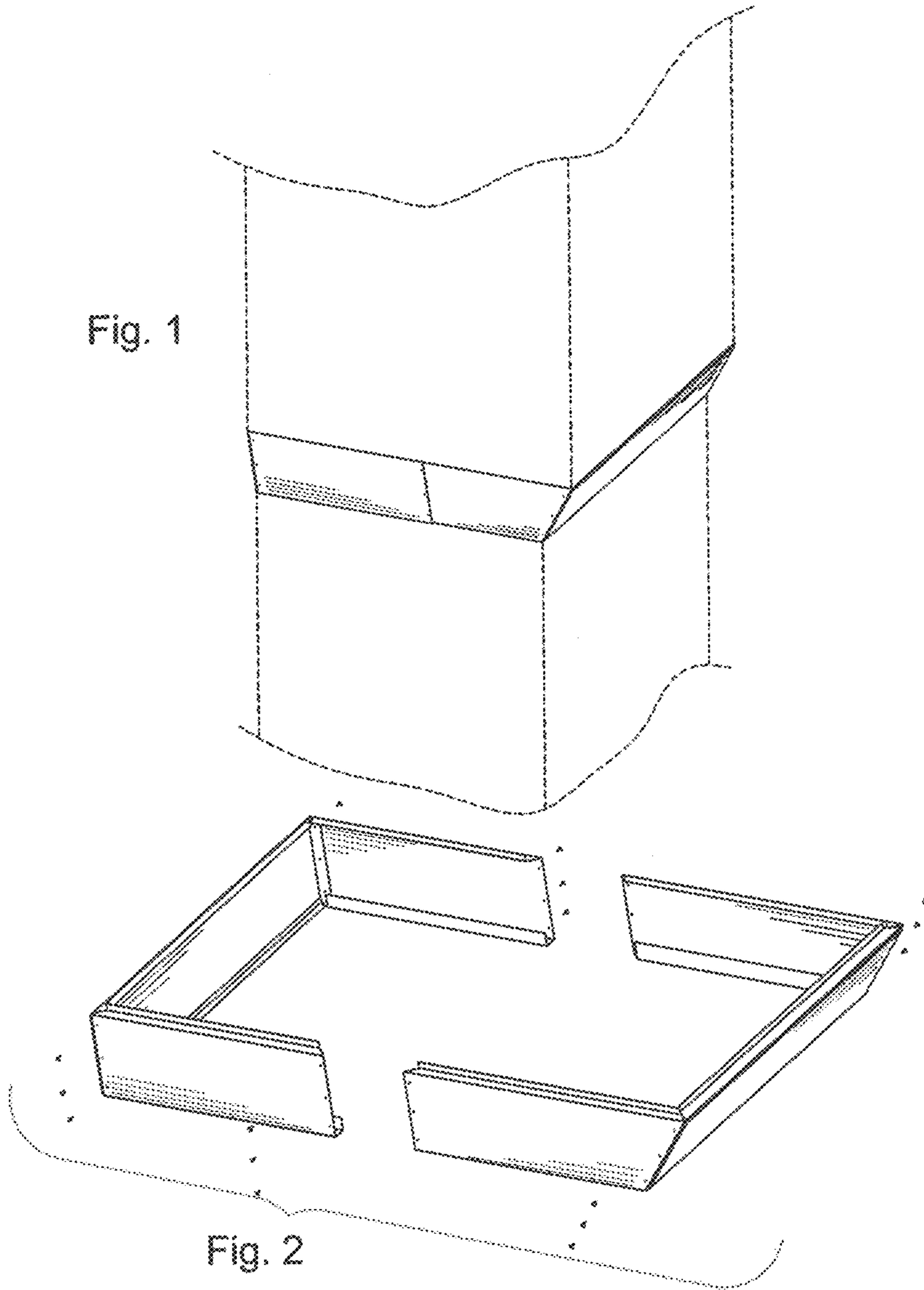




Fig. 3

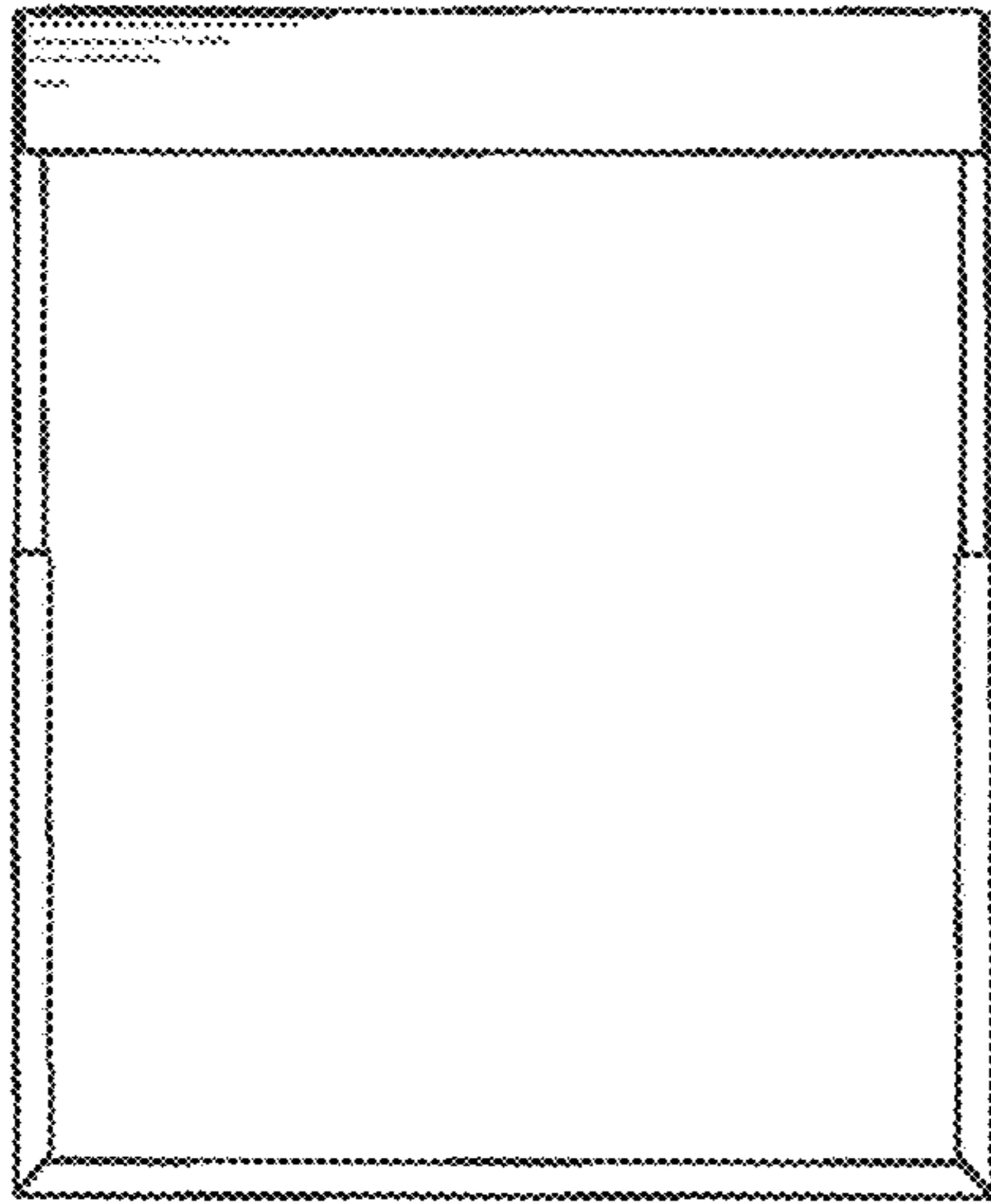


Fig. 4

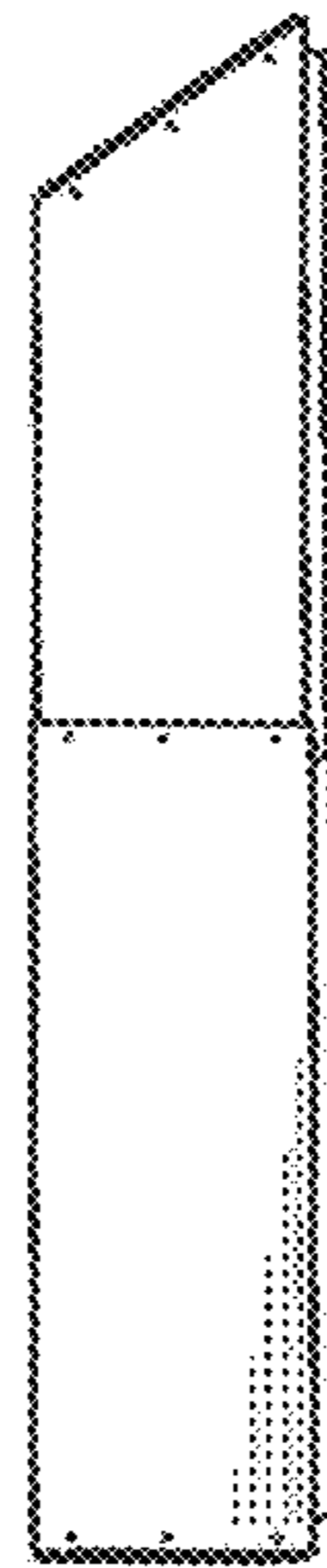


Fig. 5

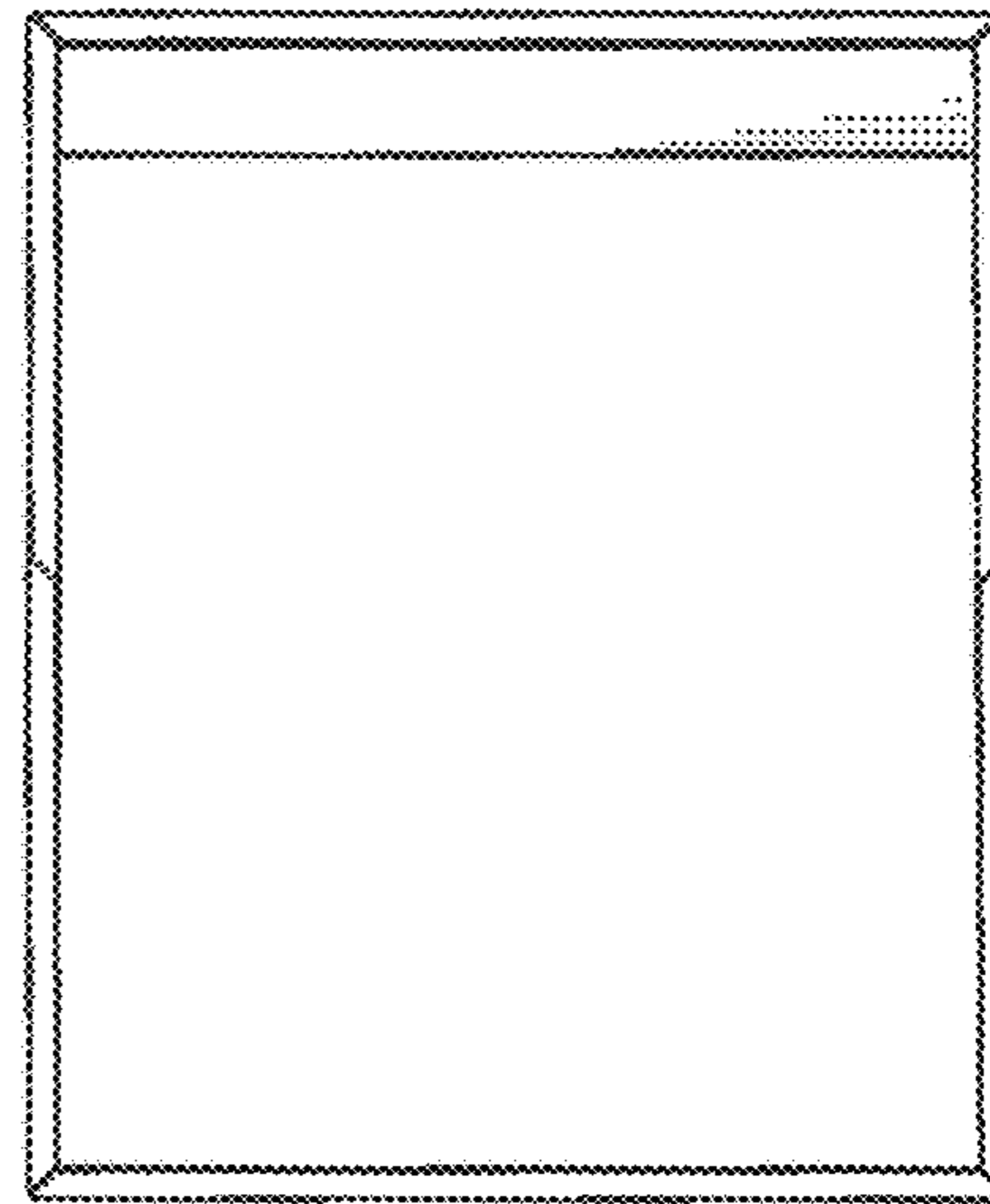


Fig. 6

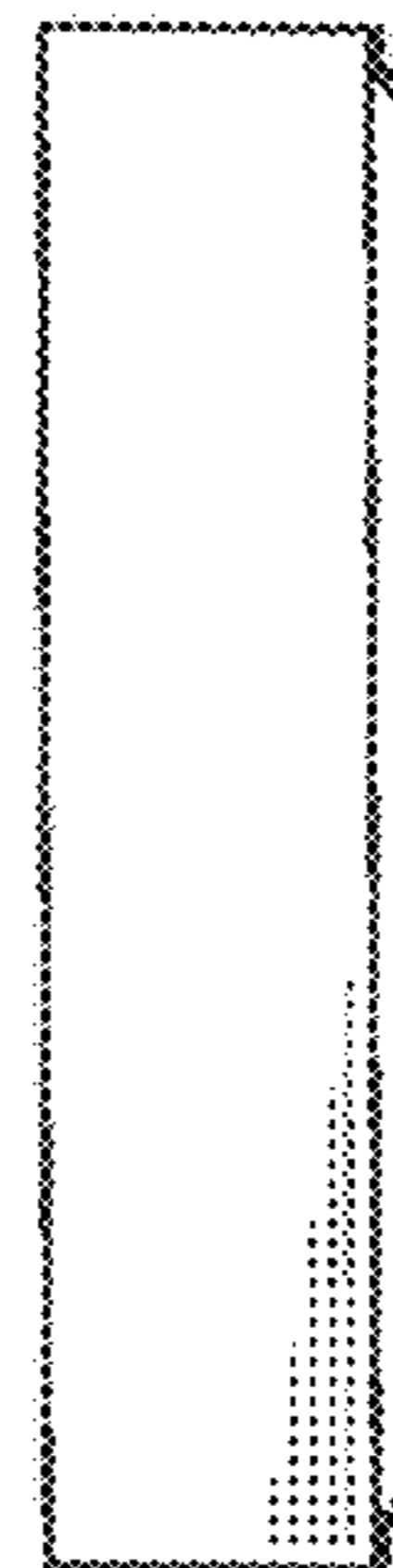


Fig. 7

Fig. 8

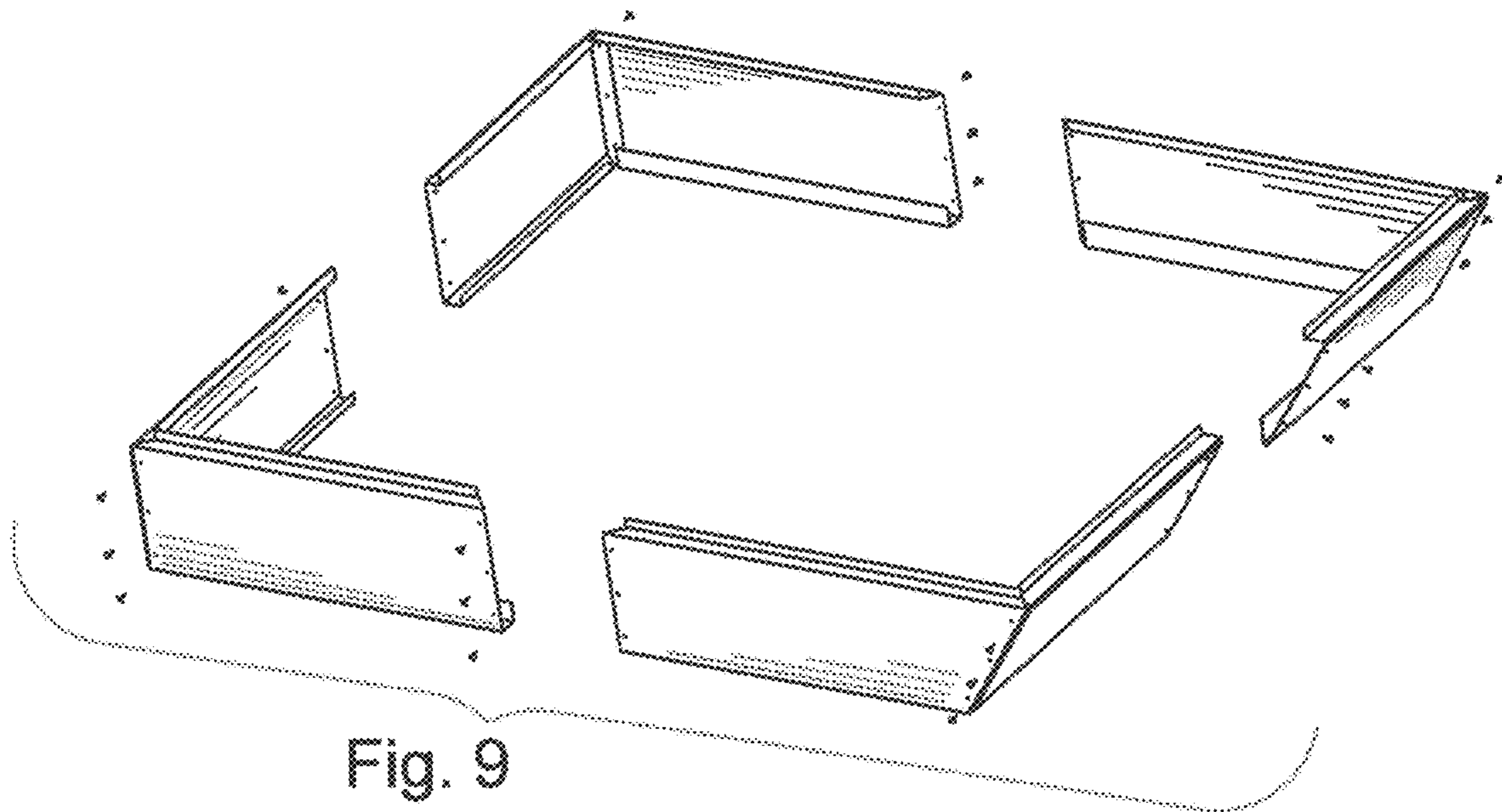
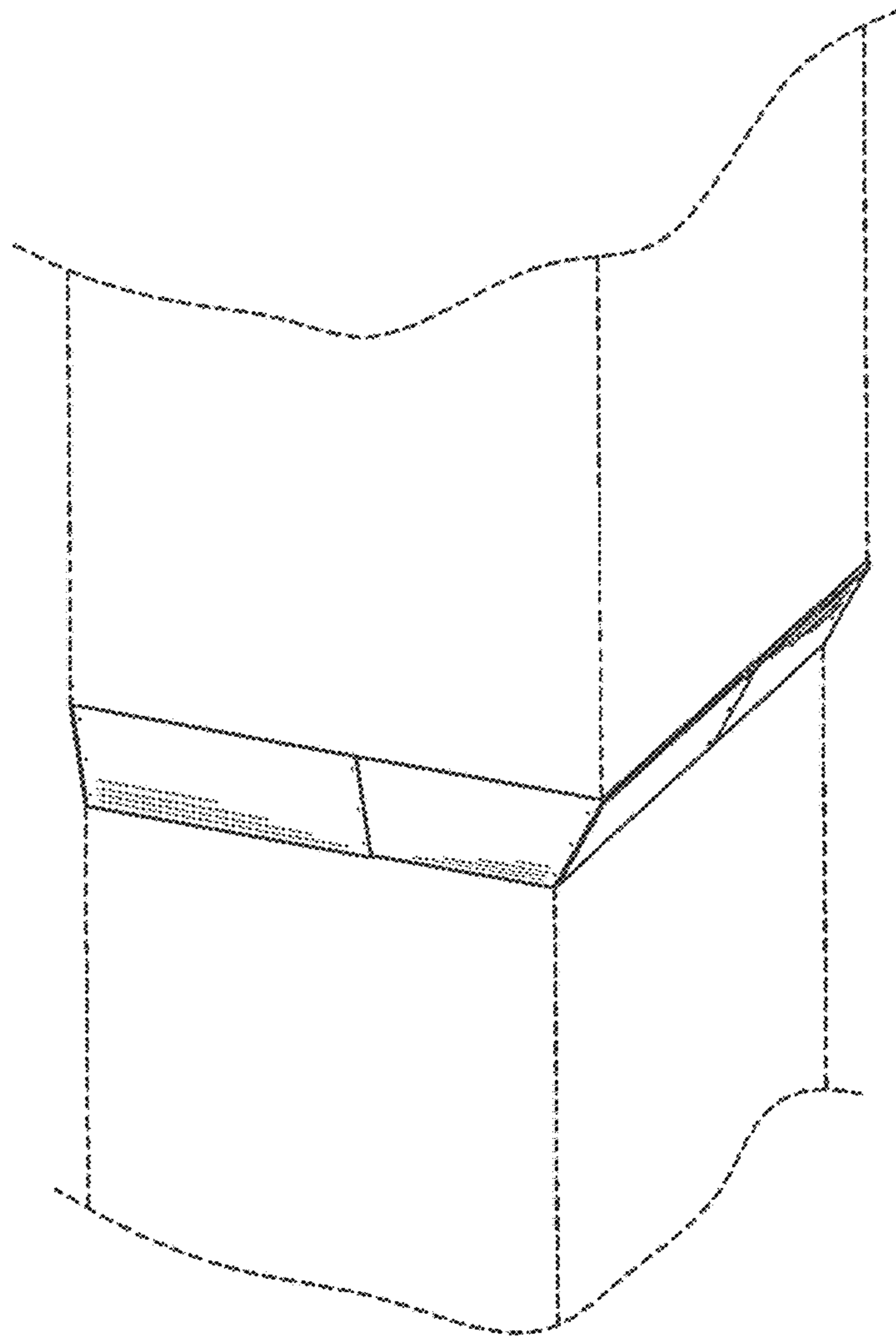


Fig. 9

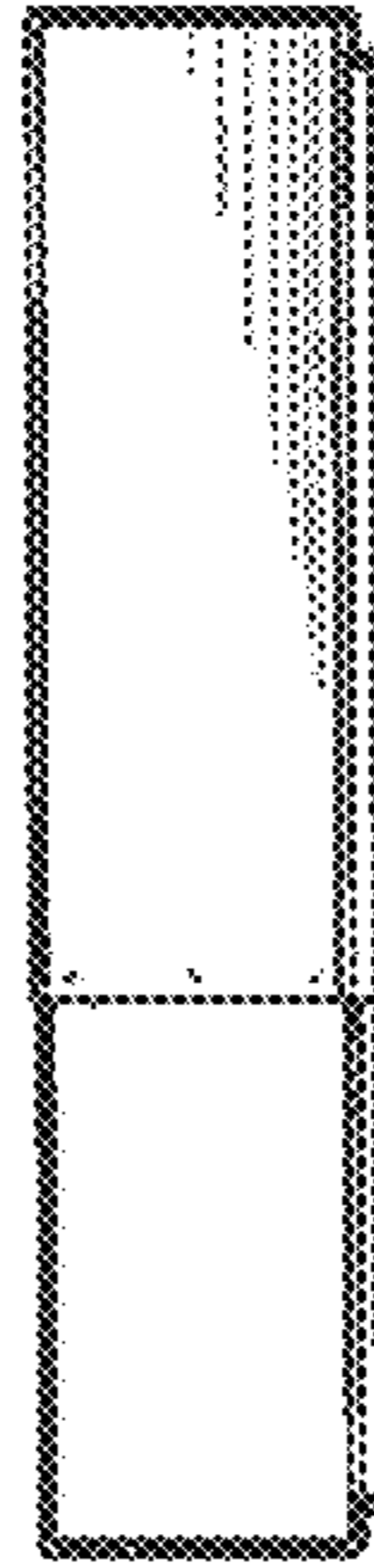


Fig. 10

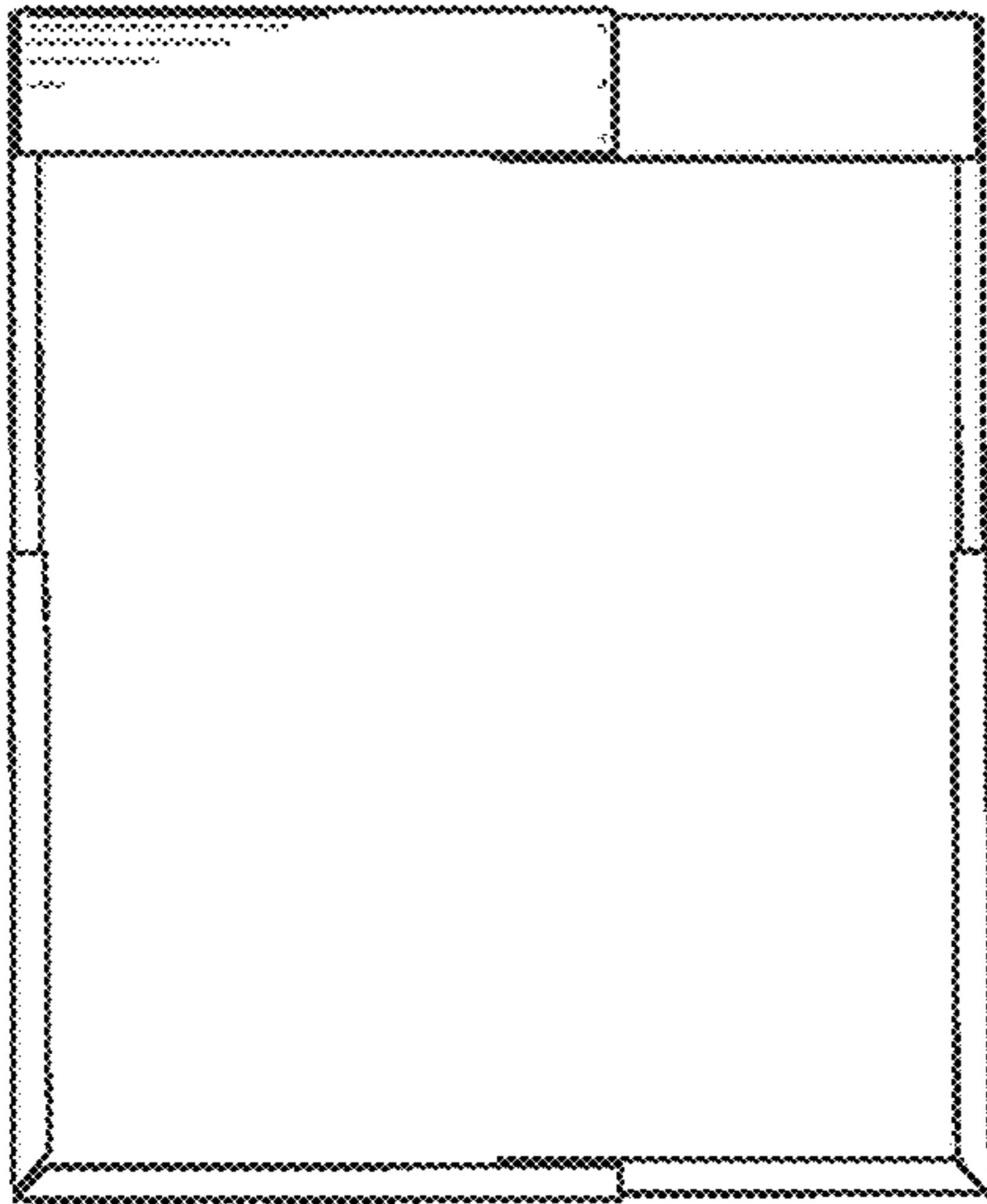


Fig. 11

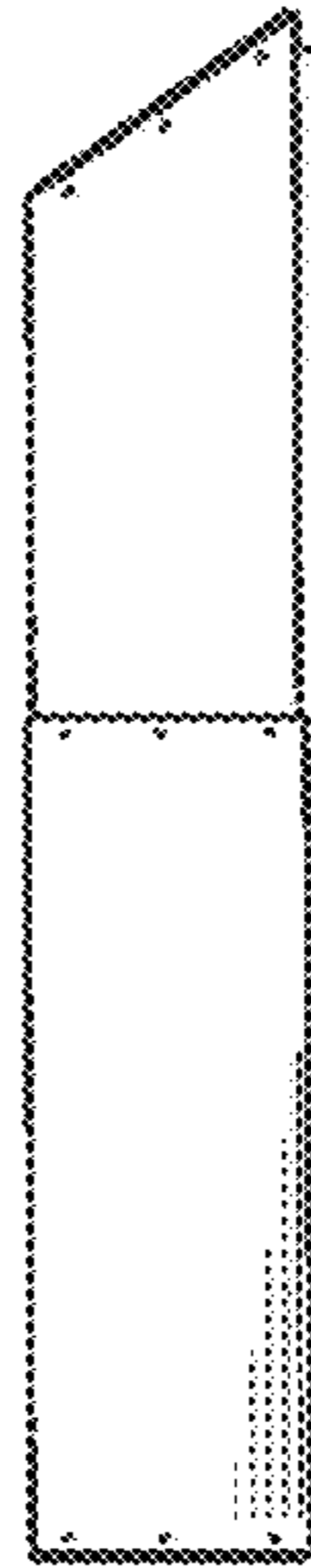


Fig. 12

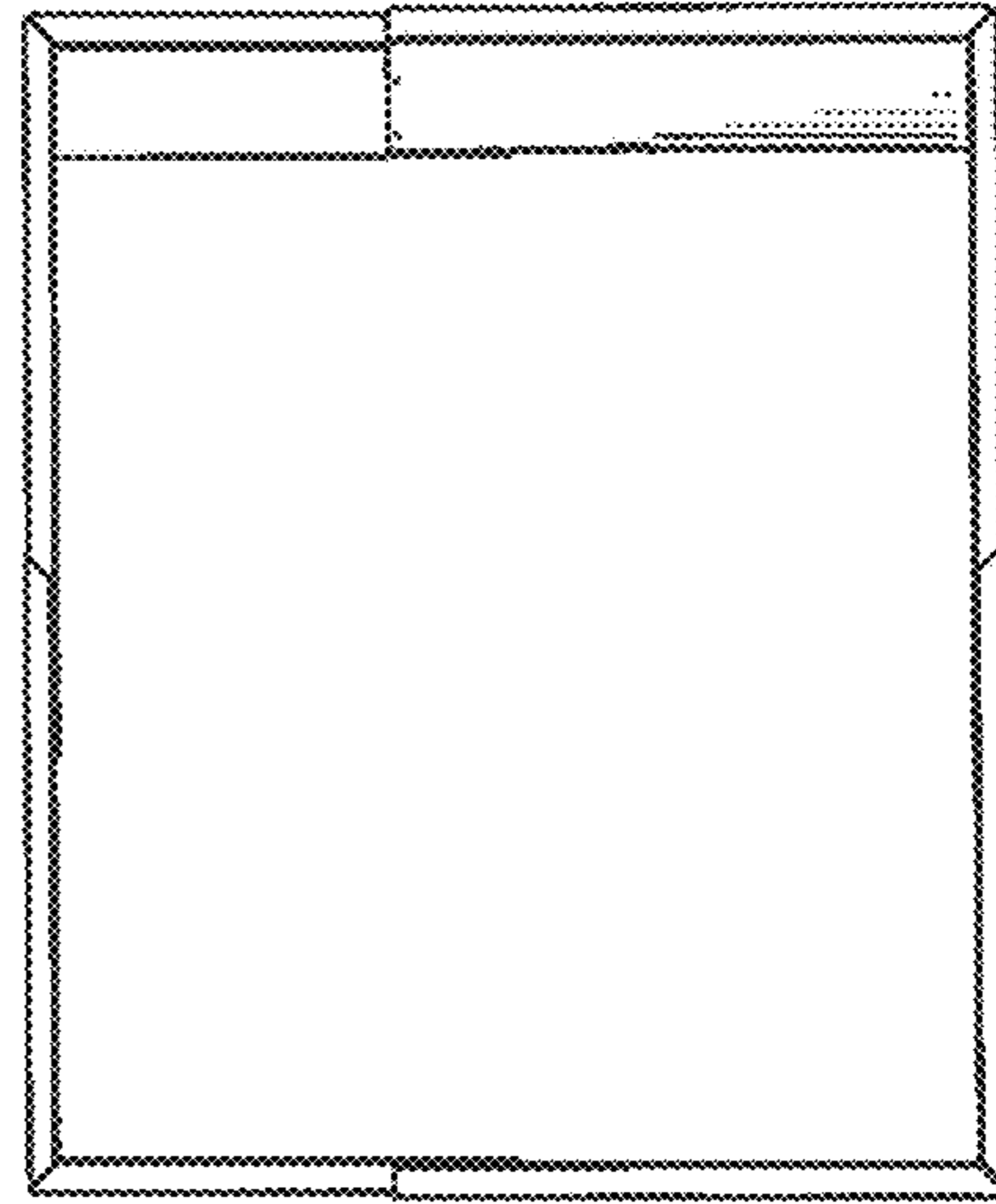


Fig. 13

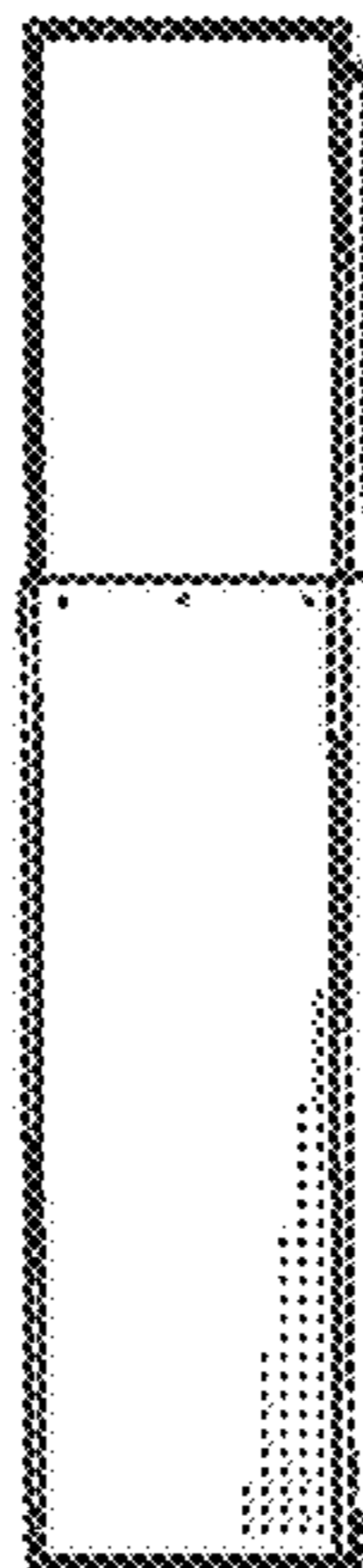


Fig. 14