



US00D791926S

(12) **United States Design Patent** (10) **Patent No.:** **US D791,926 S**  
**Spitsnogle** (45) **Date of Patent:** **\*\* Jul. 11, 2017**

- (54) **AIR TANK**
- (71) Applicant: **Derek R. Spitsnogle**, Lincoln, NE (US)
- (72) Inventor: **Derek R. Spitsnogle**, Lincoln, NE (US)
- (\*\*) Term: **15 Years**
- (21) Appl. No.: **29/528,079**
- (22) Filed: **May 26, 2015**

**Related U.S. Application Data**

- (63) Continuation of application No. 29/525,564, filed on Apr. 30, 2015.
- (51) **LOC (10) Cl.** ..... **23-04**
- (52) **U.S. Cl.**  
USPC ..... **D23/363**; D12/114
- (58) **Field of Classification Search**  
USPC ..... D23/363, 393, 386, 387; D12/114, 110, D12/117, 126, 218, 402, 194, 127, 217; D15/5  
CPC ..... F01N 2590/04; F01N 1/084; B60K 13/04; B62K 11/04; B62K 25/04; B62J 7/04  
See application file for complete search history.

(56) **References Cited**

**U.S. PATENT DOCUMENTS**

- D388,366 S \* 12/1997 Nishino ..... D12/110
- 6,193,004 B1 \* 2/2001 Cooksey ..... B62K 11/04  
180/219
- 6,334,501 B1 \* 1/2002 Kawamoto ..... B60K 13/04  
180/219
- D460,726 S \* 7/2002 Campbell ..... D12/194
- D528,045 S \* 9/2006 Yin ..... D12/110
- D528,488 S \* 9/2006 Webb ..... D12/194
- D550,591 S \* 9/2007 Mugikura ..... D12/110
- D582,319 S \* 12/2008 Miwa ..... D12/110
- D588,503 S \* 3/2009 Idei ..... D12/110
- D588,961 S \* 3/2009 Tanaka ..... D12/110
- D610,044 S \* 2/2010 Sugimoto ..... D12/110

- D689,406 S \* 9/2013 Yasuhara ..... D12/110
- D693,275 S \* 11/2013 Murakami ..... D12/110
- D716,702 S \* 11/2014 Song ..... D12/110
- 2004/0094674 A1 \* 5/2004 Bozmoski ..... F01N 13/1805  
248/58
- 2006/0053780 A1 \* 3/2006 Kikuchi ..... F01N 3/28  
60/299
- 2006/0163839 A1 \* 7/2006 Savage ..... B62J 23/00  
280/291
- 2008/0121456 A1 \* 5/2008 Davis ..... F01N 13/20  
180/309

(Continued)

*Primary Examiner* — George D. Kirschbaum

*Assistant Examiner* — Clese Moore, Jr.

(74) *Attorney, Agent, or Firm* — Advent, LLP

(57) **CLAIM**

The ornamental design for an air tank, as shown and described.

**DESCRIPTION**

FIG. 1 is a top plan view of an air tank.  
 FIG. 2 is a bottom plan view of the air tank of FIG. 1.  
 FIG. 3 is a first end elevation view of the air tank of FIG. 1.  
 FIG. 4 is a second end elevation view of the air tank of FIG. 1.  
 FIG. 5 is a first side elevation view of the air tank of FIG. 1.  
 FIG. 6 is a second side elevation view of the air tank of FIG. 1.  
 FIG. 7 is an isometric view of the air tank of FIG. 1.  
 FIG. 8 is another isometric view of the air tank of FIG. 1; and,  
 FIG. 9 is a perspective view of an air tank shown in use on a motorcycle.  
 The broken and dash-dot-dash boundary lines shown illustrate portions of the air tank and environment that form no part of the claimed design.

**1 Claim, 9 Drawing Sheets**



(56)

**References Cited**

U.S. PATENT DOCUMENTS

2008/0190683 A1\* 8/2008 Hoeve ..... B60K 13/06  
180/229

\* cited by examiner

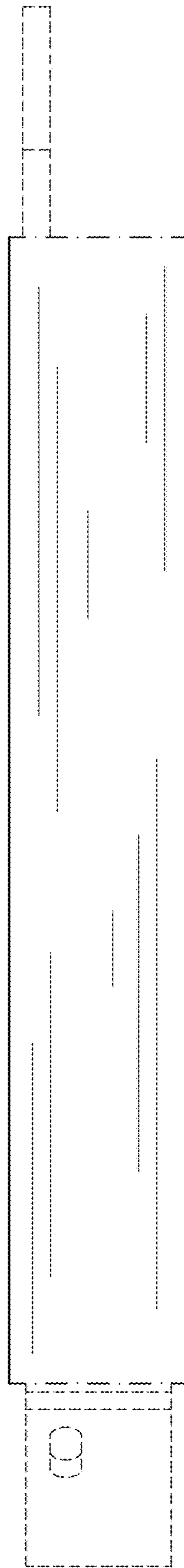
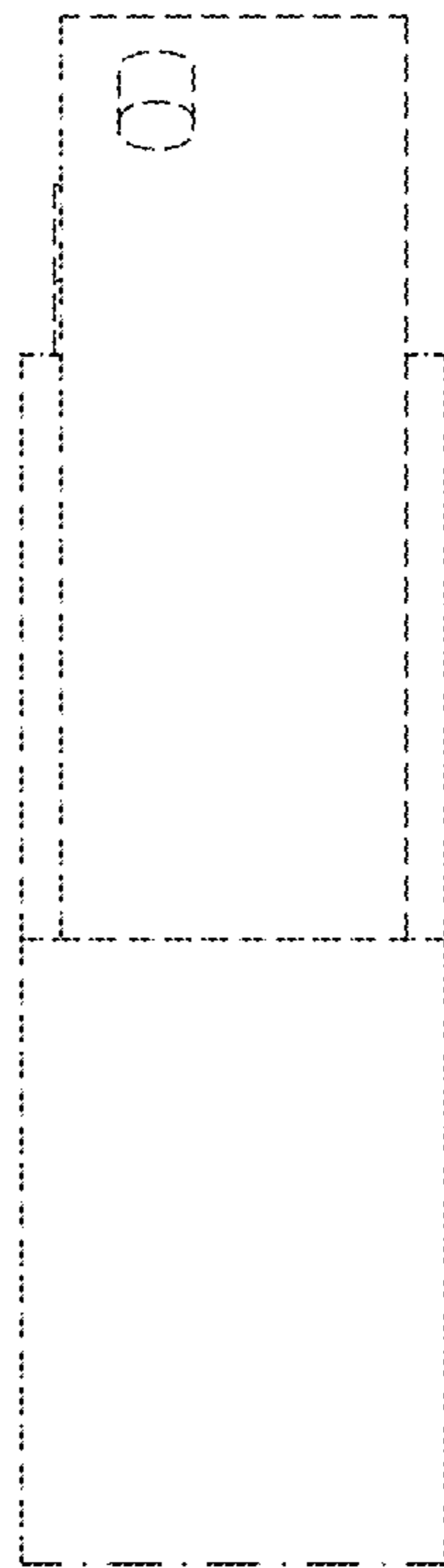


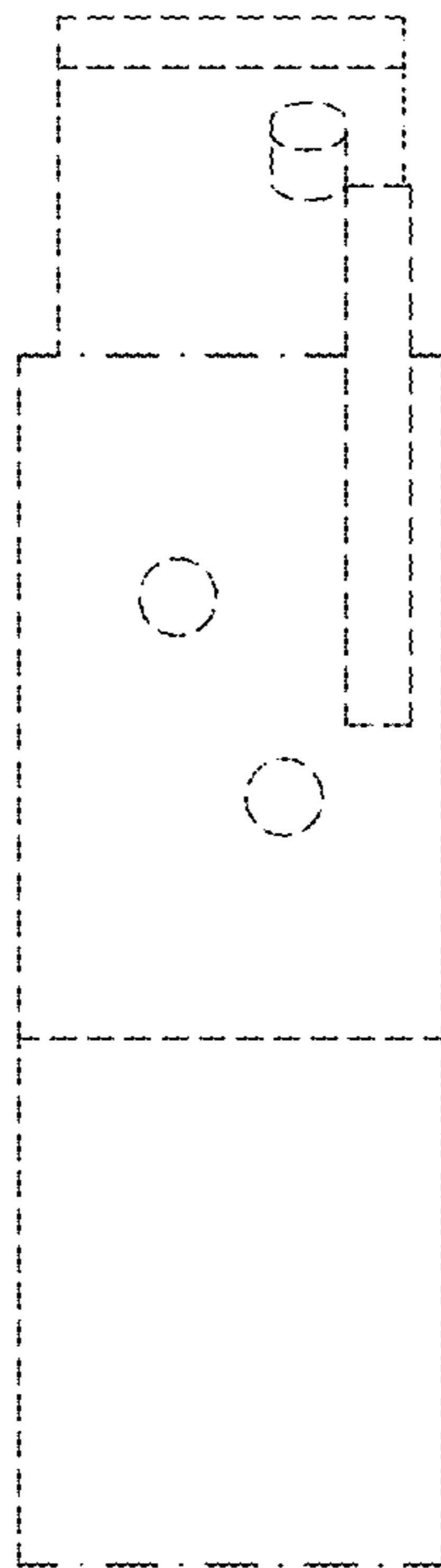
FIG. 1



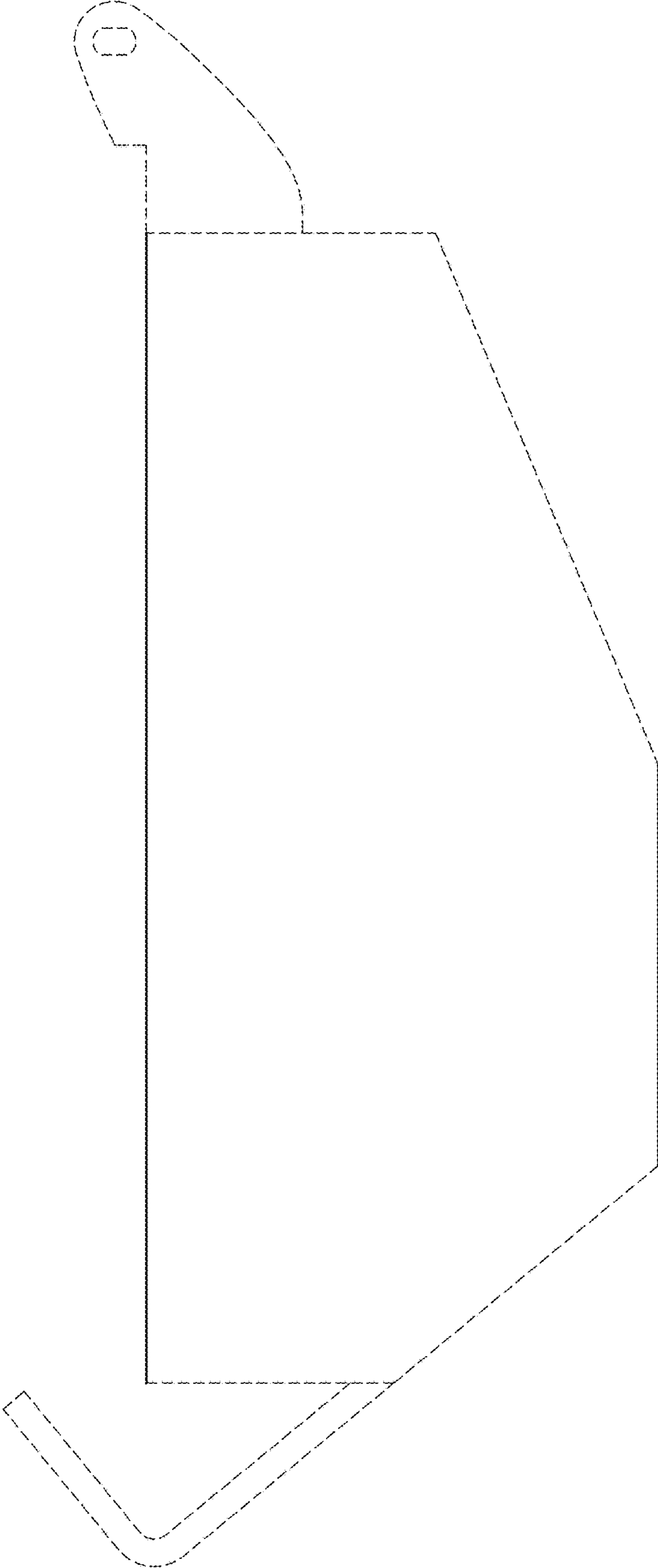
**FIG. 2**



**FIG. 3**



**FIG. 4**



**FIG. 5**

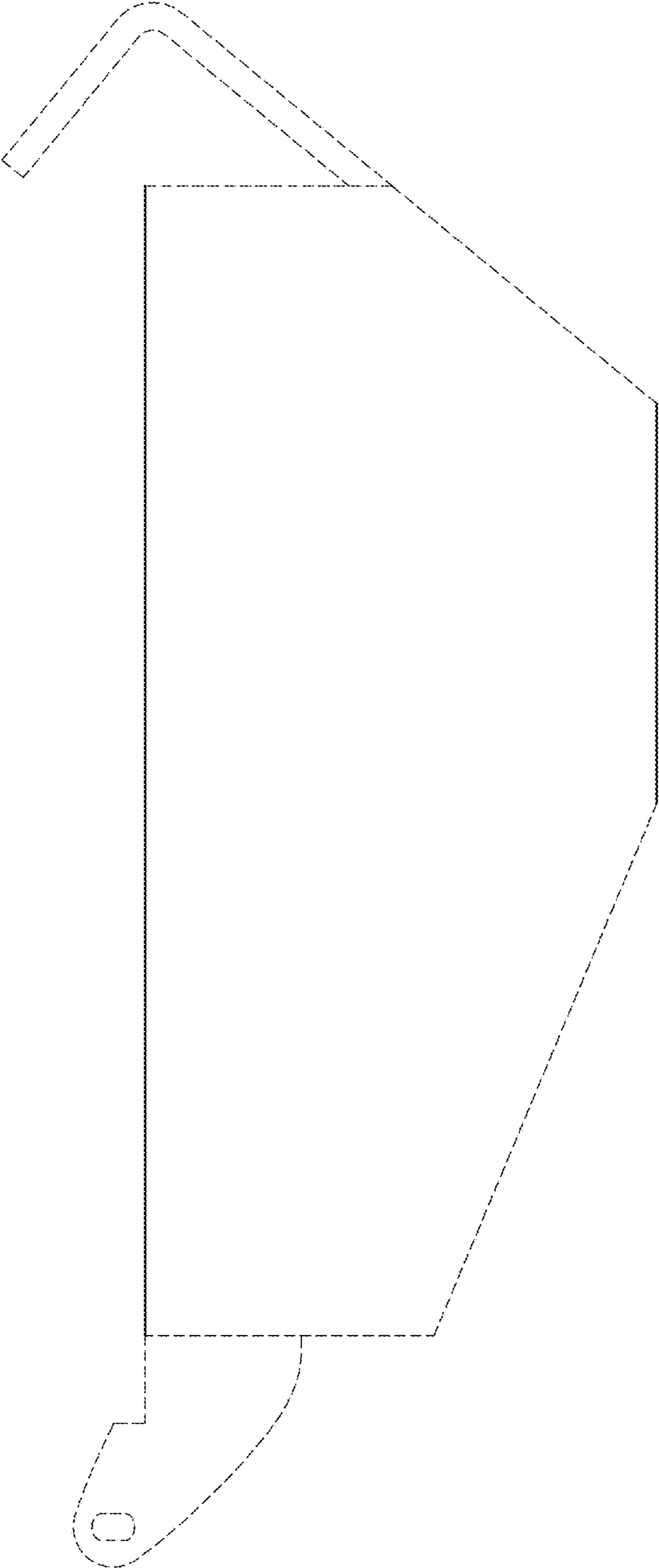


FIG. 6



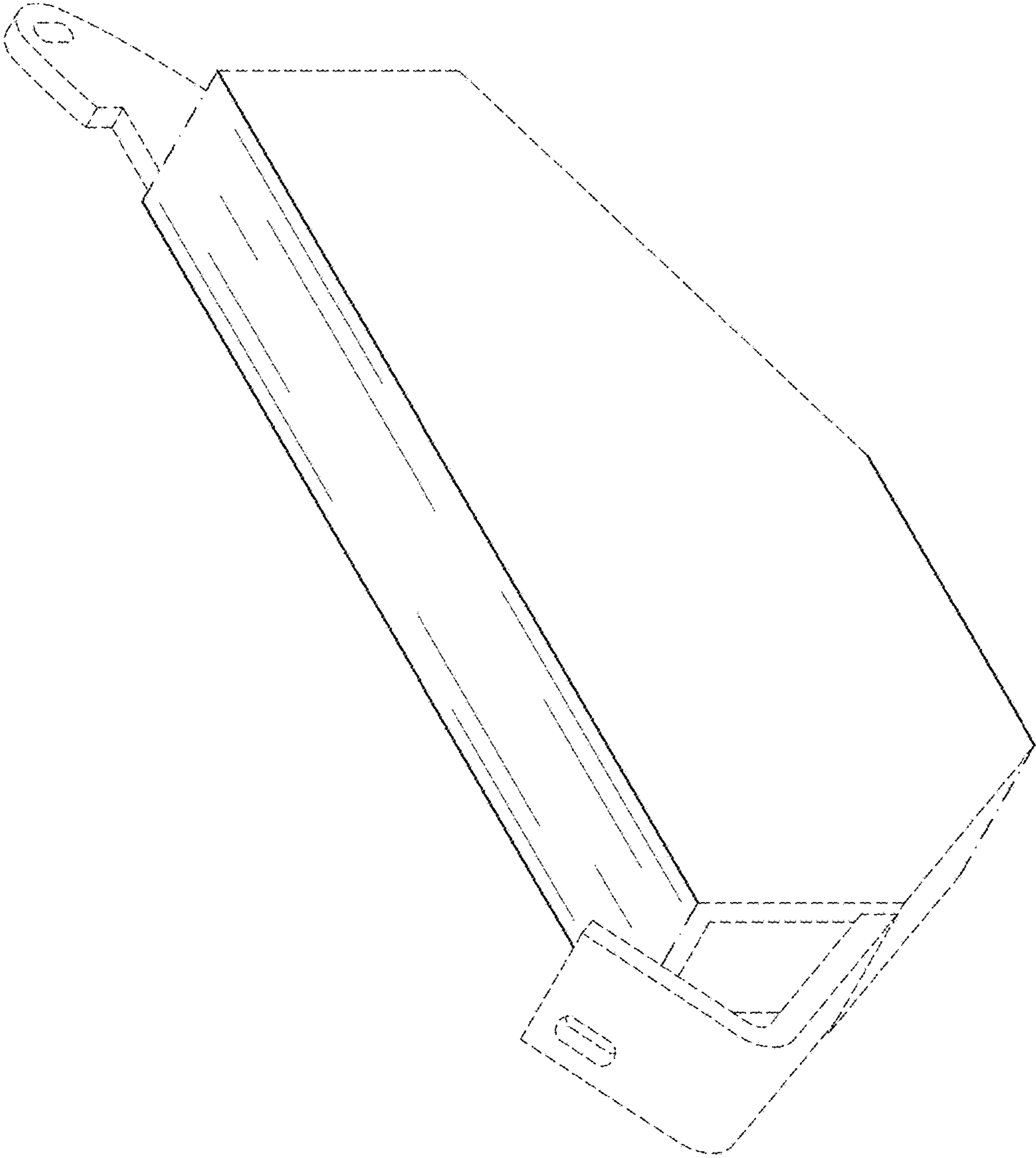


FIG. 7

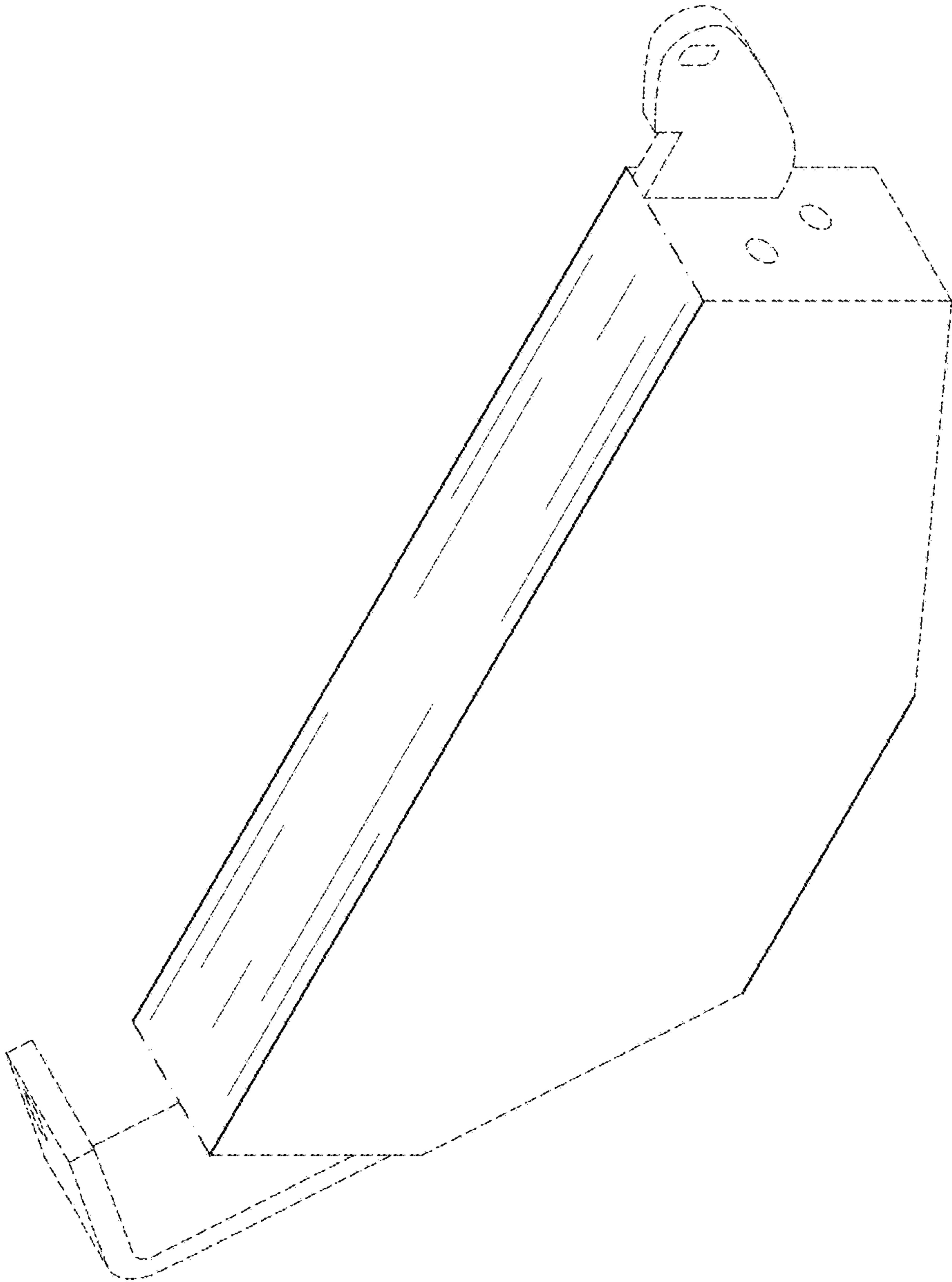


FIG. 8

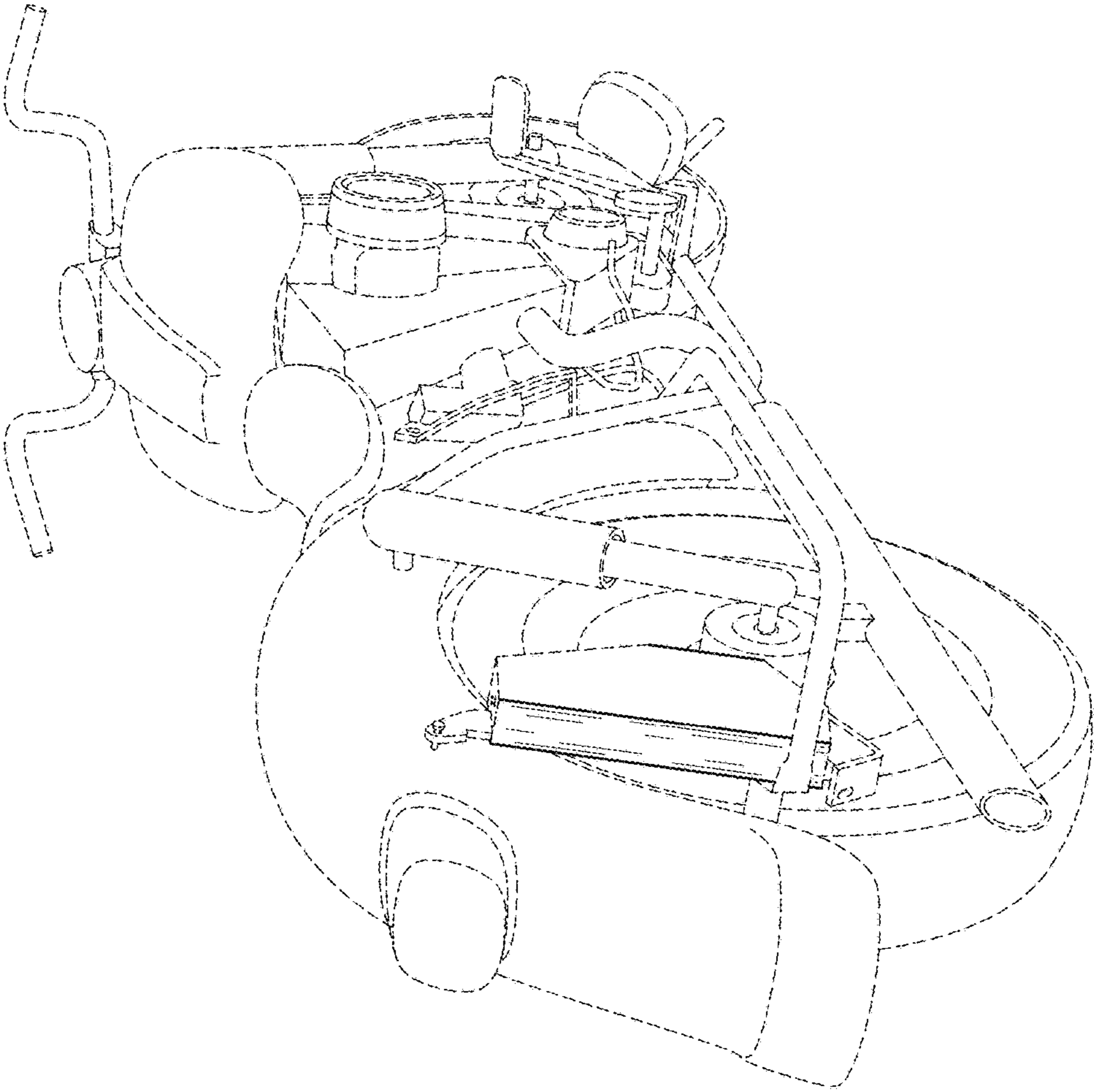


FIG. 9