



US00D791925S

(12) **United States Design Patent**
Choi et al.

(10) **Patent No.:** **US D791,925 S**
(45) **Date of Patent:** **** Jul. 11, 2017**

(54) **WATER BOX FOR DEHUMIDIFIER**

(71) Applicant: **Samsung Electronics Co., Ltd.**,
Suwon-si, Gyeonggi-do (KR)

(72) Inventors: **Minkyung Choi**, Seoul (KR); **Heejae Jeong**, Seoul (KR); **Daejong Kim**, Seoul (KR)

(73) Assignee: **SAMSUNG ELECTRONICS CO., LTD.**, Gyeonggi-Do (KR)

(**) Term: **15 Years**

(21) Appl. No.: **29/542,583**

(22) Filed: **Oct. 15, 2015**

(30) **Foreign Application Priority Data**

Jul. 13, 2015 (KR) 30-2015-0035100

(51) **LOC (10) Cl.** **23-04**

(52) **U.S. Cl.**
USPC **D23/359**

(58) **Field of Classification Search**
USPC D23/333, 355-364, 385, 388, 393
CPC A61M 16/16; A61M 16/0816; A61M 16/0003; F24F 2006/008; F24F 3/1405; F24F 2003/144; F24F 11/0008; F24F 13/28

See application file for complete search history.

(56) **References Cited**

U.S. PATENT DOCUMENTS

5,447,663 A * 9/1995 Dix F24F 6/00
261/104
5,483,616 A * 1/1996 Chiu F24F 6/043
261/107
5,783,117 A * 7/1998 Byassee F24F 6/043
261/107
D421,289 S * 2/2000 De Winter D23/208

6,427,984 B1 * 8/2002 Mulvaney F24F 6/043
261/107
6,962,301 B1 * 11/2005 Chang B02C 18/0007
241/100
7,073,782 B2 * 7/2006 French F24F 6/043
261/100
7,604,187 B1 * 10/2009 Lo B02C 18/0007
220/908
D619,676 S * 7/2010 Bertucci D23/208
7,934,618 B2 * 5/2011 Sued B02C 18/0007
220/495.08

(Continued)

Primary Examiner — Kevin Rudzinski

Assistant Examiner — John Reickel

(74) *Attorney, Agent, or Firm* — Cantor Colburn LLP

(57) **CLAIM**

The ornamental design for a water box for dehumidifier, as shown and described.

DESCRIPTION

FIG. 1 is a perspective view of a water box for dehumidifier showing our new design;

FIG. 2 is a front view thereof;

FIG. 3 is a rear view thereof;

FIG. 4 is a left-side view thereof;

FIG. 5 is a right-side view thereof;

FIG. 6 is a top view thereof;

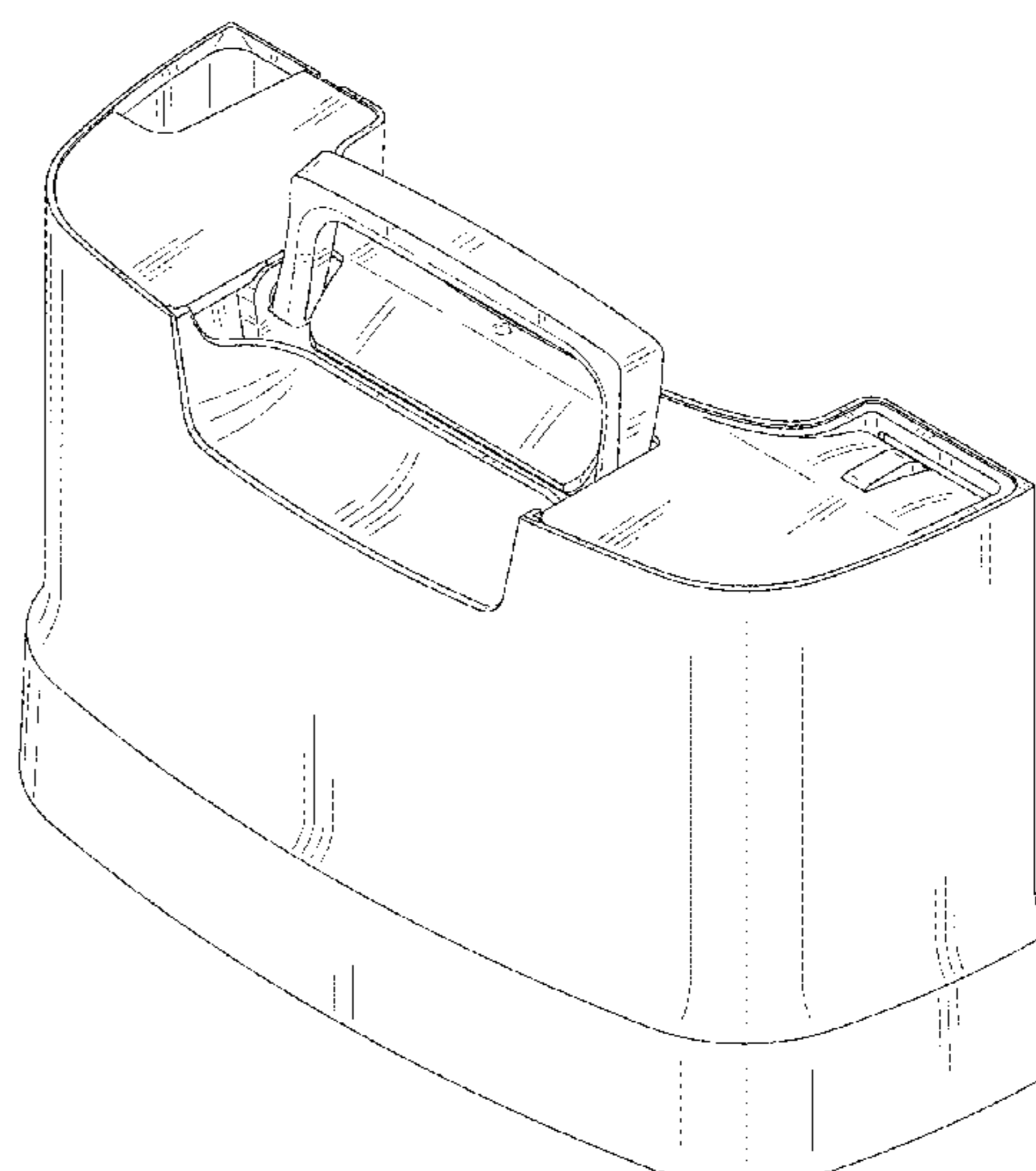
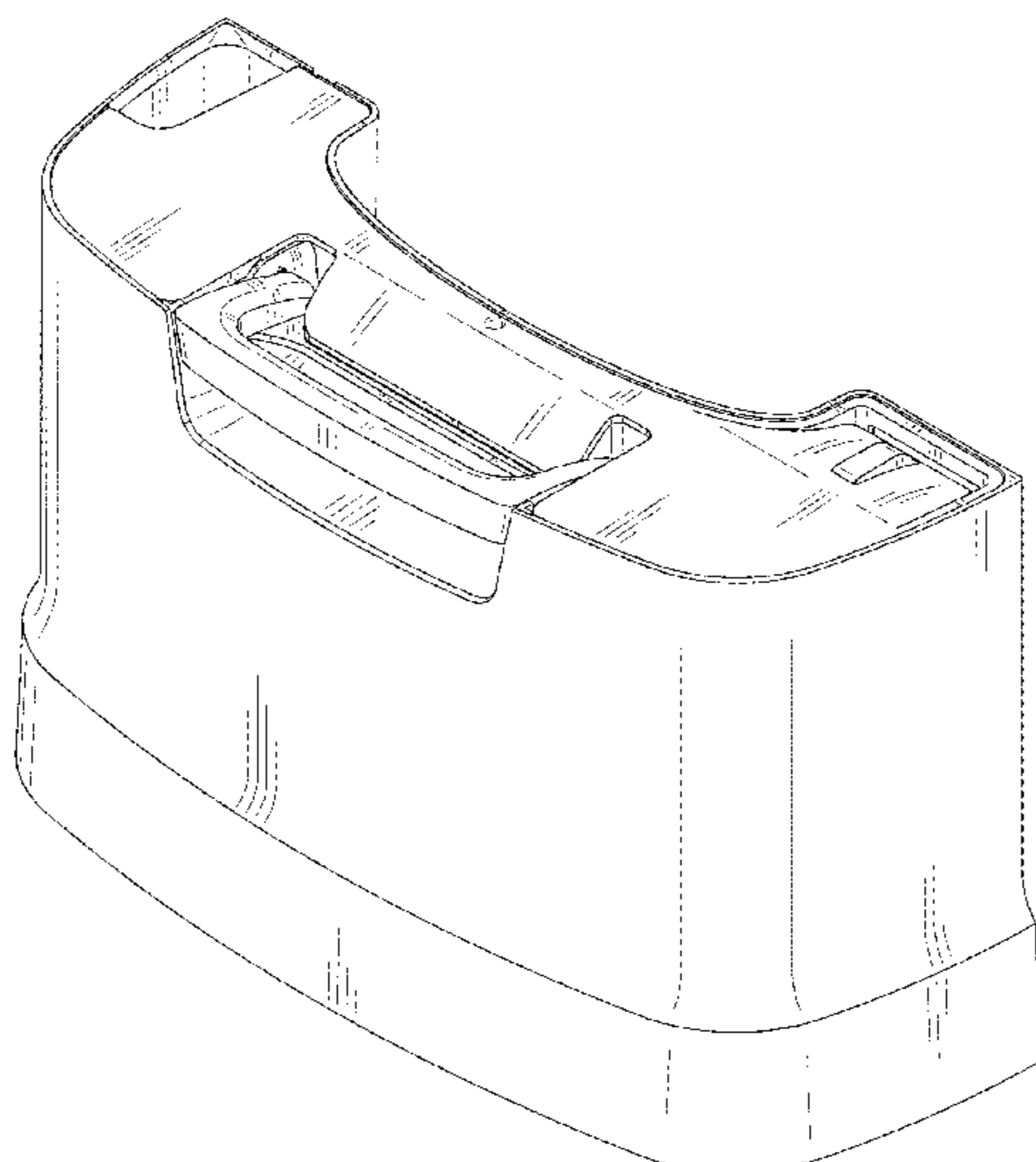
FIG. 7 is a bottom view thereof;

FIG. 8 is another perspective view thereof, in an alternate configuration; and,

FIG. 9 is another perspective view thereof, in an environment of use.

The broken line showing of a water box is included for the purpose of illustrating portions of the article and forms no part of the claimed design. The broken line showing of a dehumidifier is included for the purpose of illustrating environmental structure and forms no part of the claimed design.

1 Claim, 9 Drawing Sheets



(56)

References Cited

U.S. PATENT DOCUMENTS

8,006,691 B2 * 8/2011 Kenyon A61M 16/0051
 122/4 R
 D654,982 S * 2/2012 Bertucci D23/208
 D660,948 S * 5/2012 Varma D23/333
 D662,576 S * 6/2012 Shore D23/364
 8,196,851 B2 * 6/2012 Aries B02C 18/0007
 241/225
 D673,665 S * 1/2013 Langford D23/359
 D674,069 S * 1/2013 Vetu D23/364
 8,668,107 B2 * 3/2014 Decker B65F 1/006
 220/500
 D733,384 S * 6/2015 Lloyd D34/7
 2004/0188553 A1 * 9/2004 Lo B02C 18/0007
 241/36
 2008/0098899 A1 * 5/2008 Uchida A61L 9/14
 96/255
 2010/0170967 A1 * 7/2010 Jensen B02C 18/0007
 241/25
 2015/0192312 A1 * 7/2015 Jung F24F 3/1405
 62/291
 2015/0276241 A1 * 10/2015 Jeon F24F 3/14
 62/126
 2015/0285531 A1 * 10/2015 Lee B65D 25/30
 62/271
 2016/0010882 A1 * 1/2016 Lee F24F 3/1405
 312/228

* cited by examiner

FIG. 1

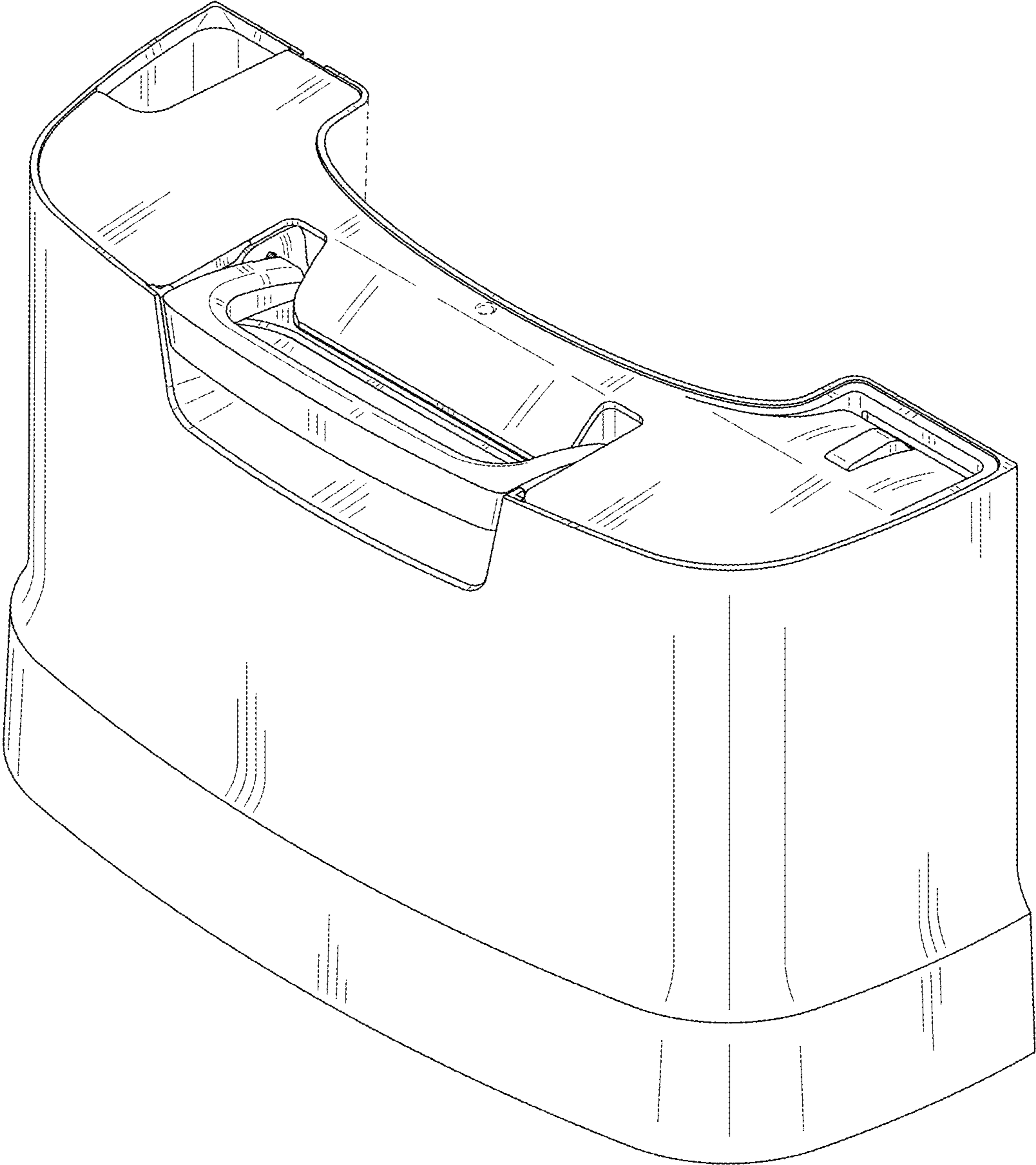


FIG. 2

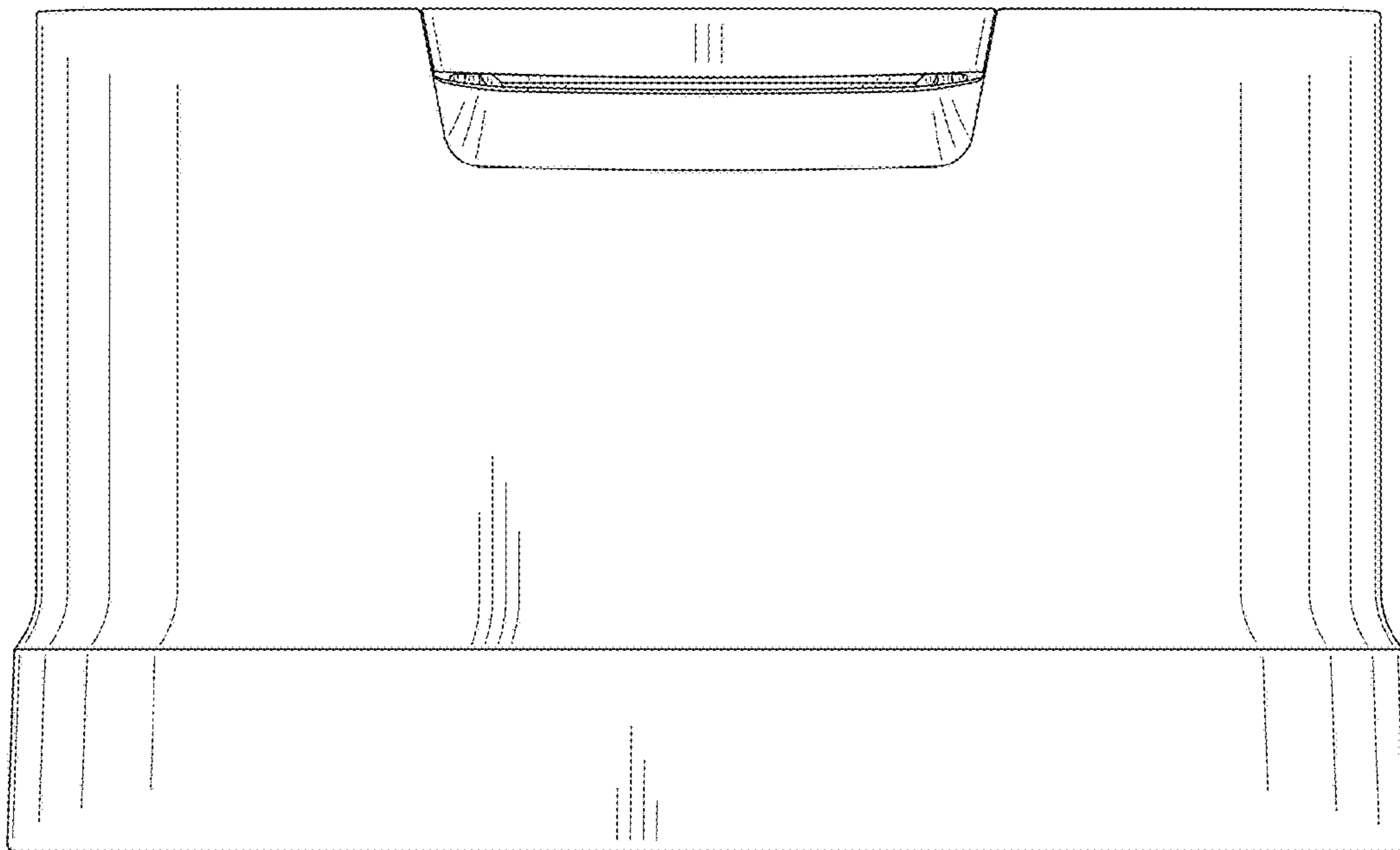


FIG. 3

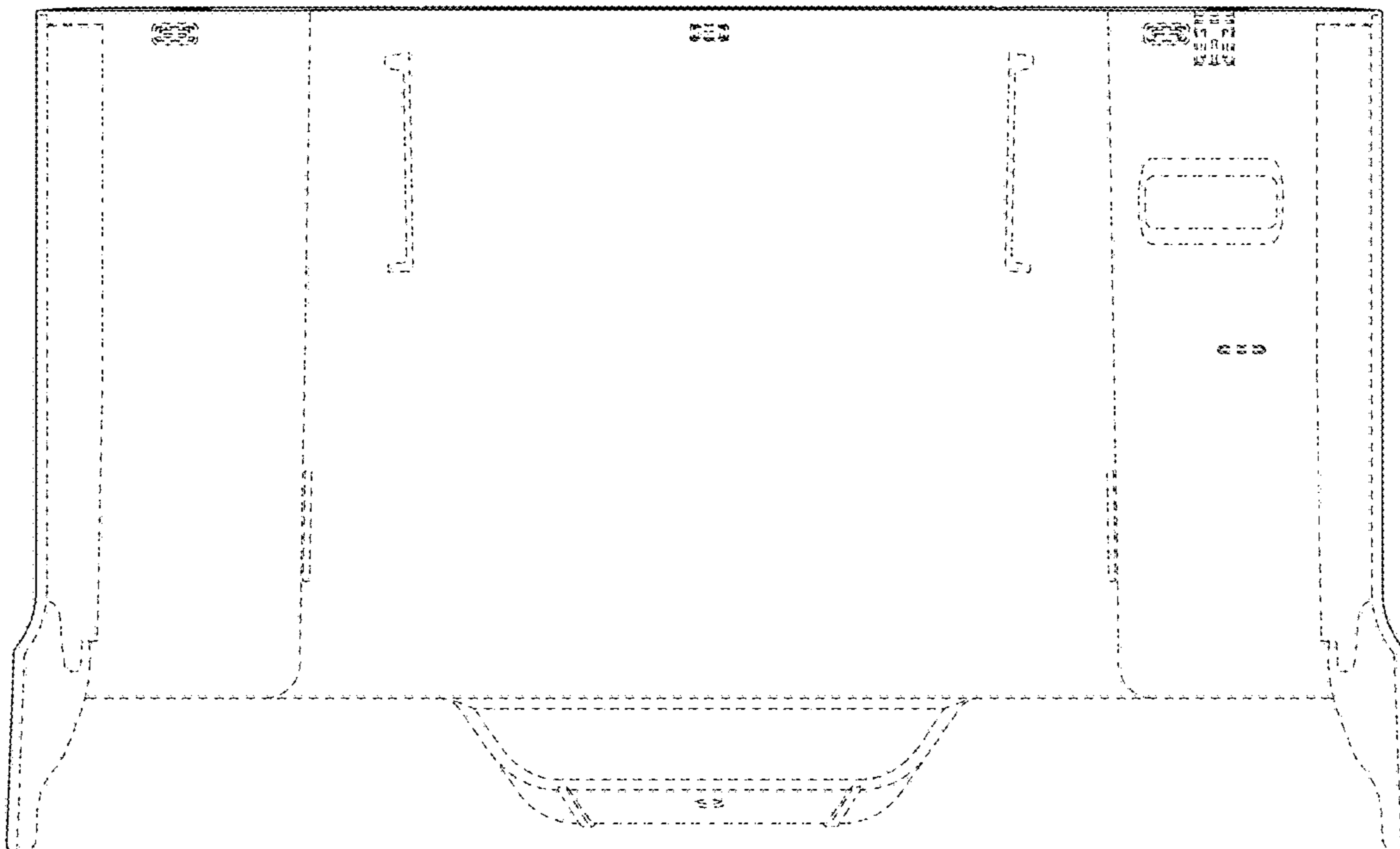


FIG. 4

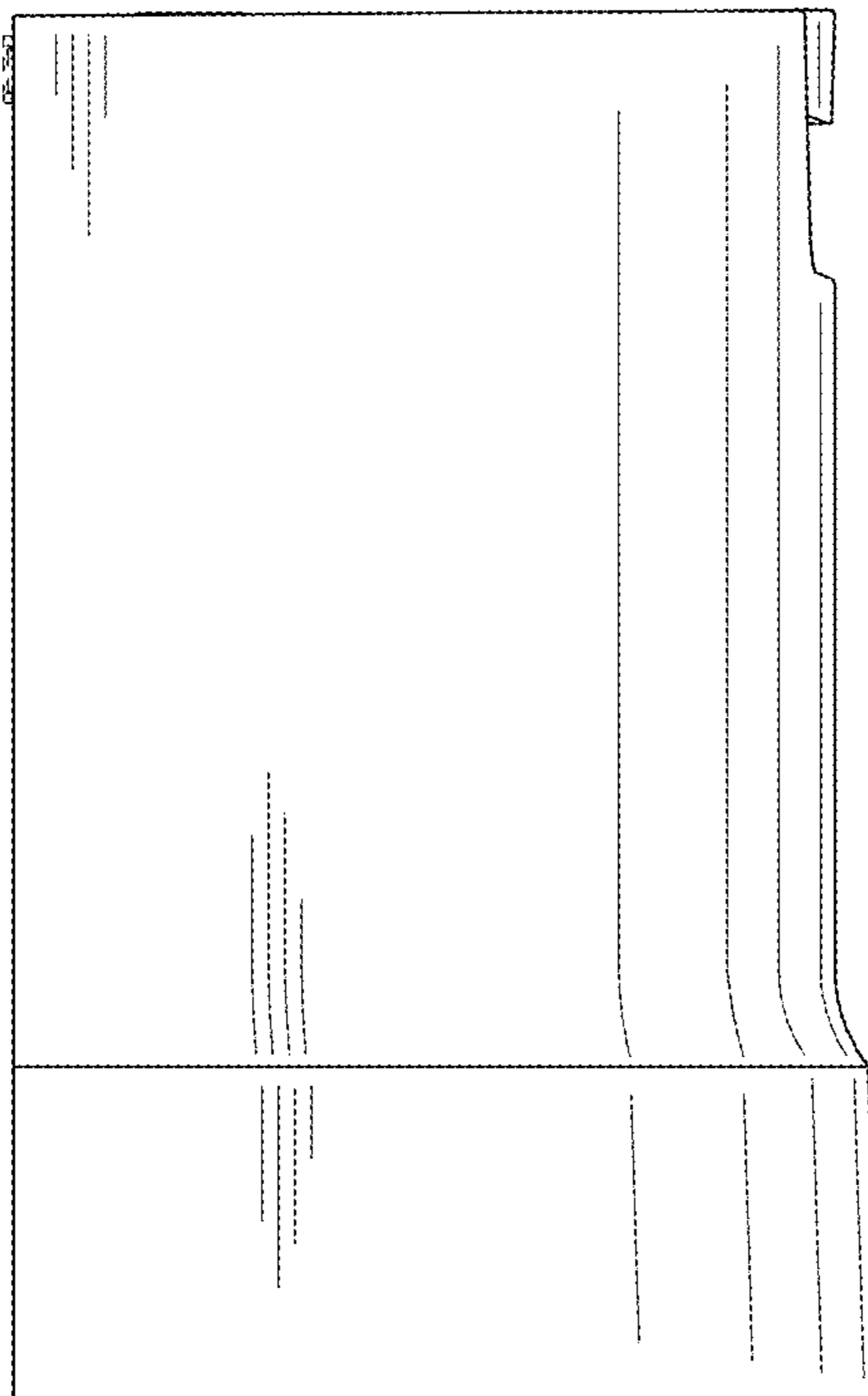


FIG. 5

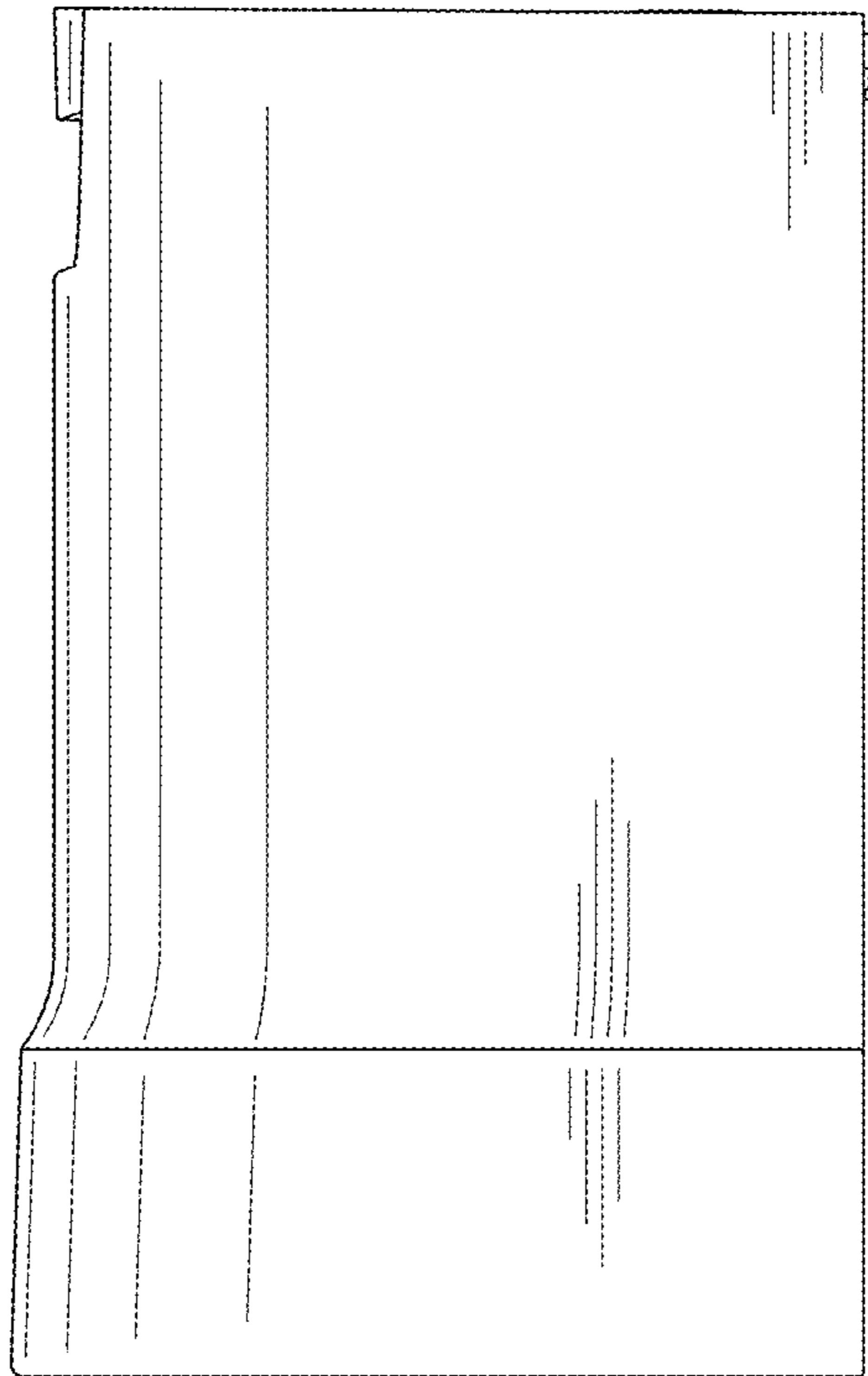


FIG. 6

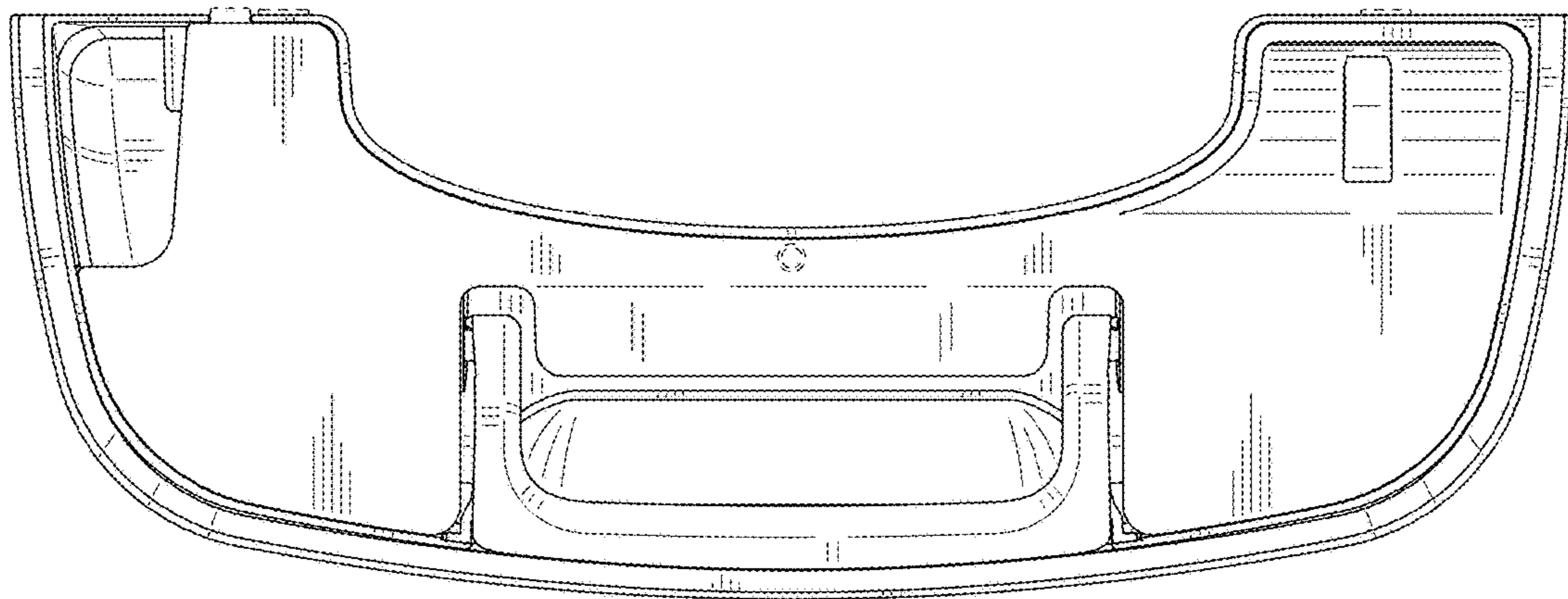


FIG. 7

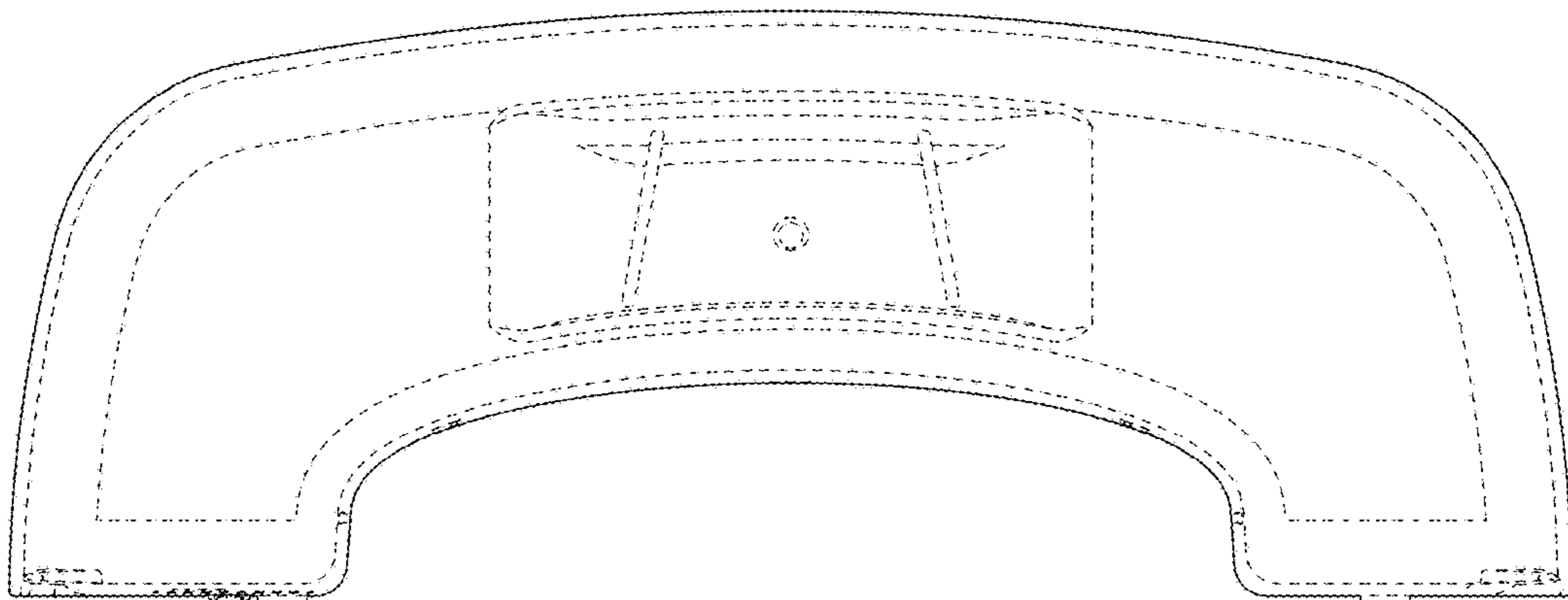


FIG. 8

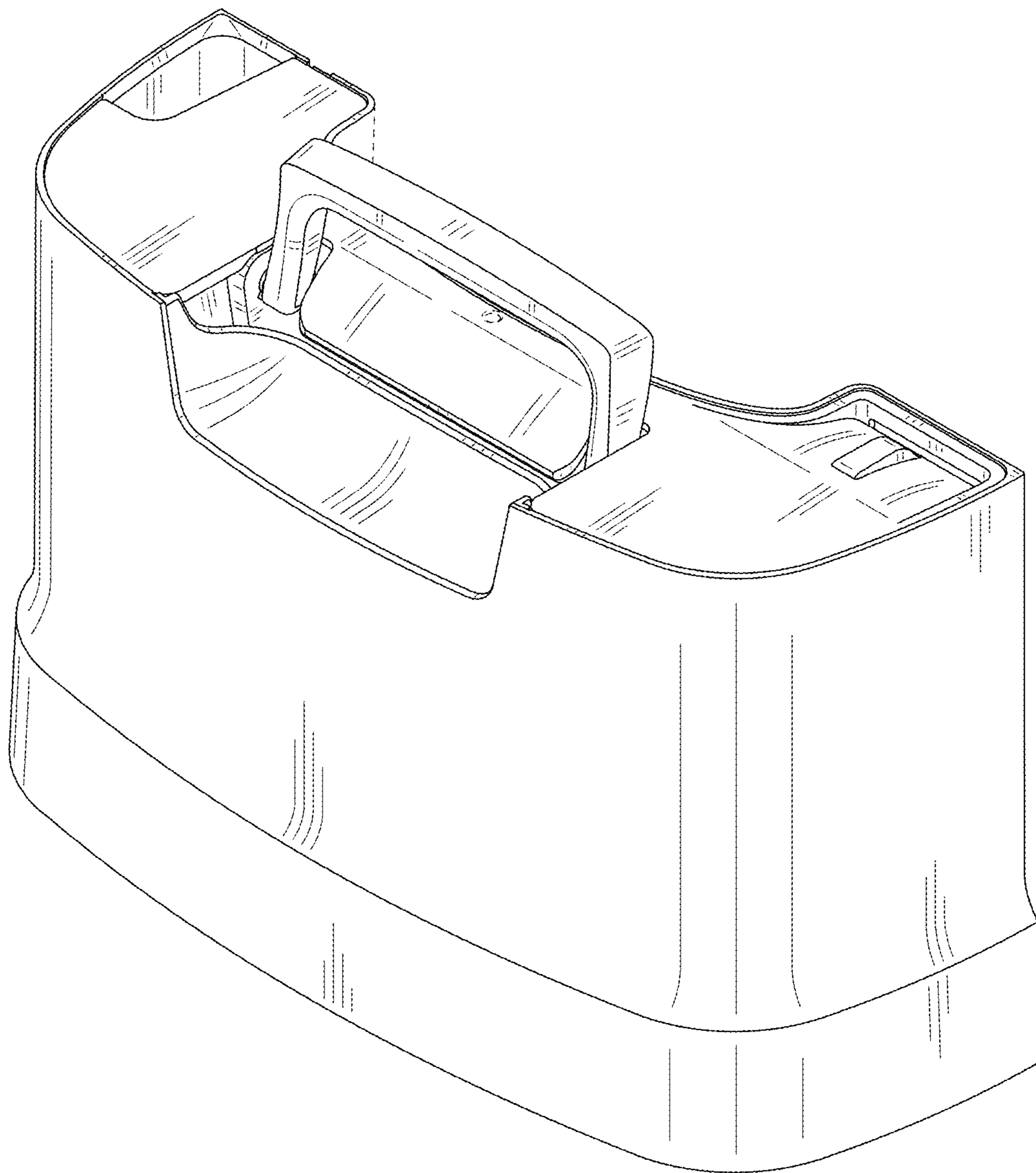


FIG. 9

