



US00D791923S

(12) **United States Design Patent**  
**Galluzzo**

(10) **Patent No.:** **US D791,923 S**  
(45) **Date of Patent:** **\*\* Jul. 11, 2017**

- (54) **WOOD BURNING STOVE**
- (71) Applicant: **Maxfire Systems, LLC**, International Falls, MN (US)
- (72) Inventor: **Mario Galluzzo**, Thunder Bay (CA)
- (73) Assignee: **Maxfire Systems LLC**, International Falls, MN (US)
- (\*\*) Term: **15 Years**
- (21) Appl. No.: **29/556,213**
- (22) Filed: **Feb. 29, 2016**
- (51) **LOC (10) Cl.** ..... **23-03**
- (52) **U.S. Cl.**  
USPC ..... **D23/343**
- (58) **Field of Classification Search**  
USPC ..... D23/314, 320, 332, 335-337, 343,  
D23/347-350, 386, 403-409, 416, 417;  
D7/332, 334-337, 339, 341, 350.1  
CPC . A47J 2037/0777; A47J 37/0763; A47J 33/00  
See application file for complete search history.

- D390,646 S \* 2/1998 Greene ..... D23/346
- D450,821 S \* 11/2001 Mills ..... D23/344
- D450,822 S \* 11/2001 Mills ..... D23/343
- D521,133 S 5/2006 Walker
- 7,284,550 B2 10/2007 Walker et al.
- 7,318,431 B1 1/2008 Holtan et al.
- 8,082,915 B2 12/2011 McCormick et al.
- D673,663 S \* 1/2013 Gallo ..... D23/343

\* cited by examiner

*Primary Examiner* — Sheryl Lane

*Assistant Examiner* — Calvin E Vansant

(74) *Attorney, Agent, or Firm* — Price Heneveld LLP

(57) **CLAIM**

I claim the ornamental design for a wood burning stove, as shown and described.

**DESCRIPTION**

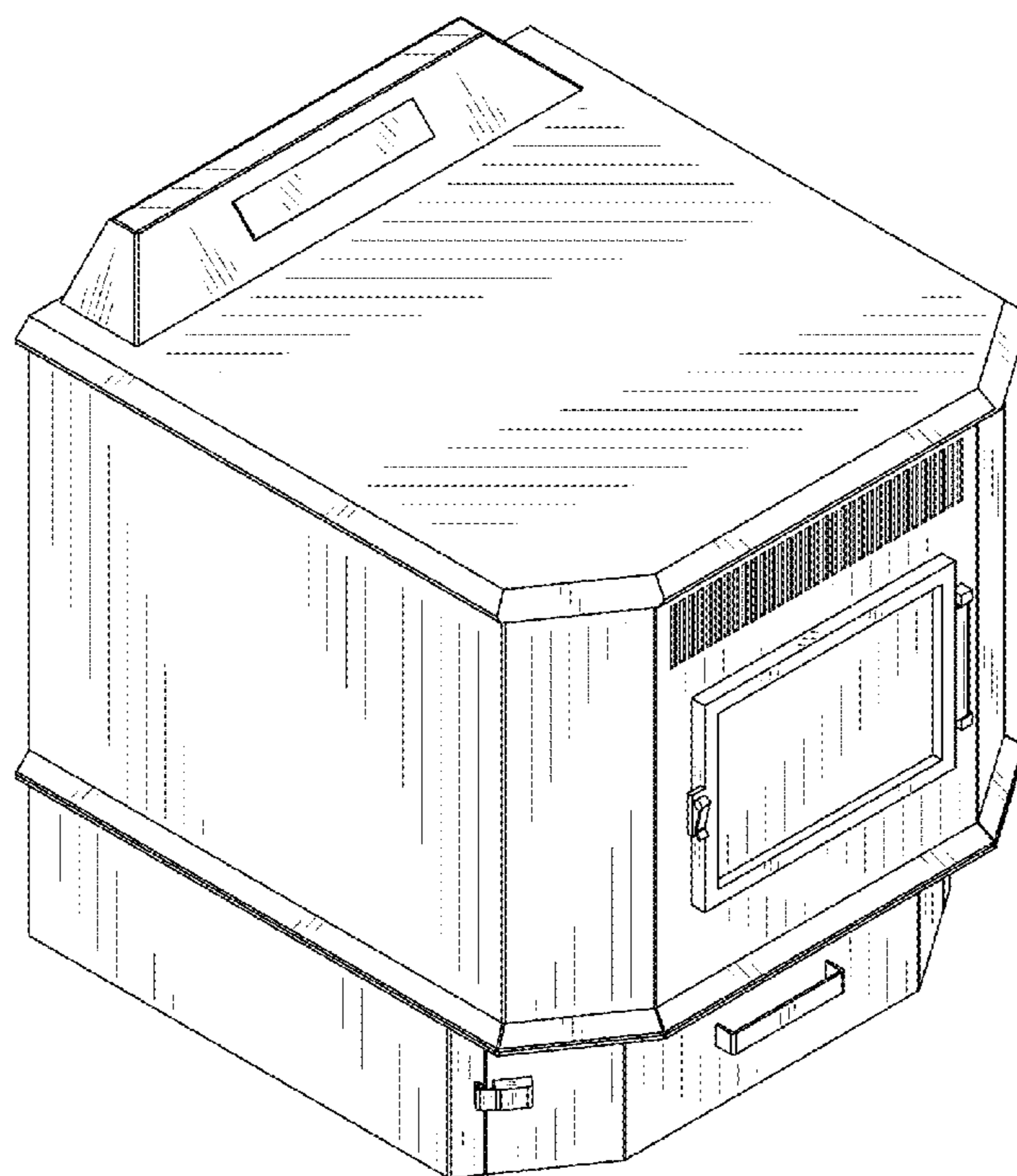
FIG. 1 is front perspective view of a wood burning stove;  
 FIG. 2 is a front elevational view of the wood burning stove of FIG. 1;  
 FIG. 3 is a rear elevational view of the wood burning stove of FIG. 1;  
 FIG. 4 is a first side elevational view of the wood burning stove of FIG. 1;  
 FIG. 5 is a second side elevational view of the wood burning stove of FIG. 1;  
 FIG. 6 is a top plan view of the wood burning stove of FIG. 1; and,  
 FIG. 7 is a bottom plan view of the wood burning stove of FIG. 1.

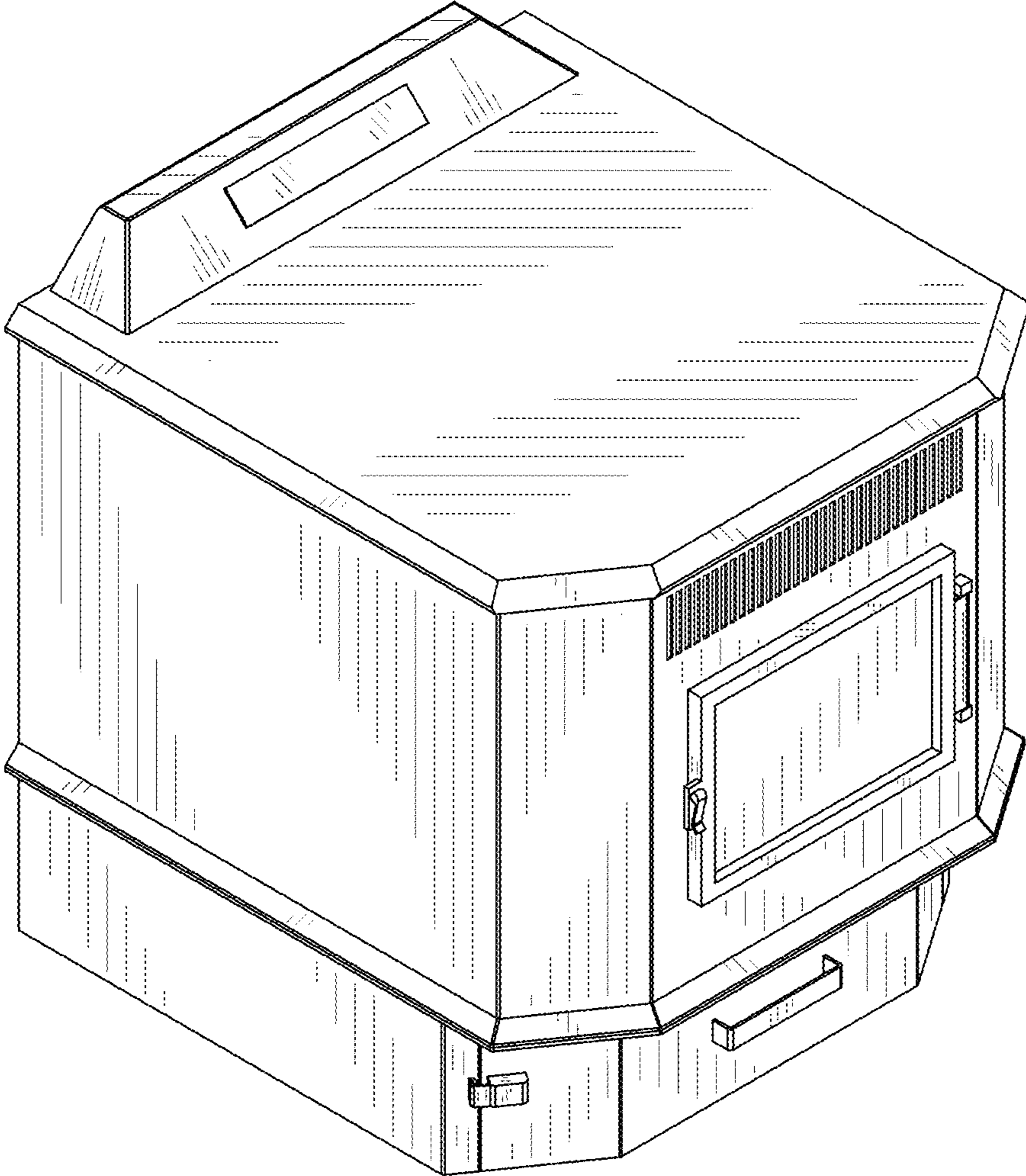
**1 Claim, 4 Drawing Sheets**

(56) **References Cited**

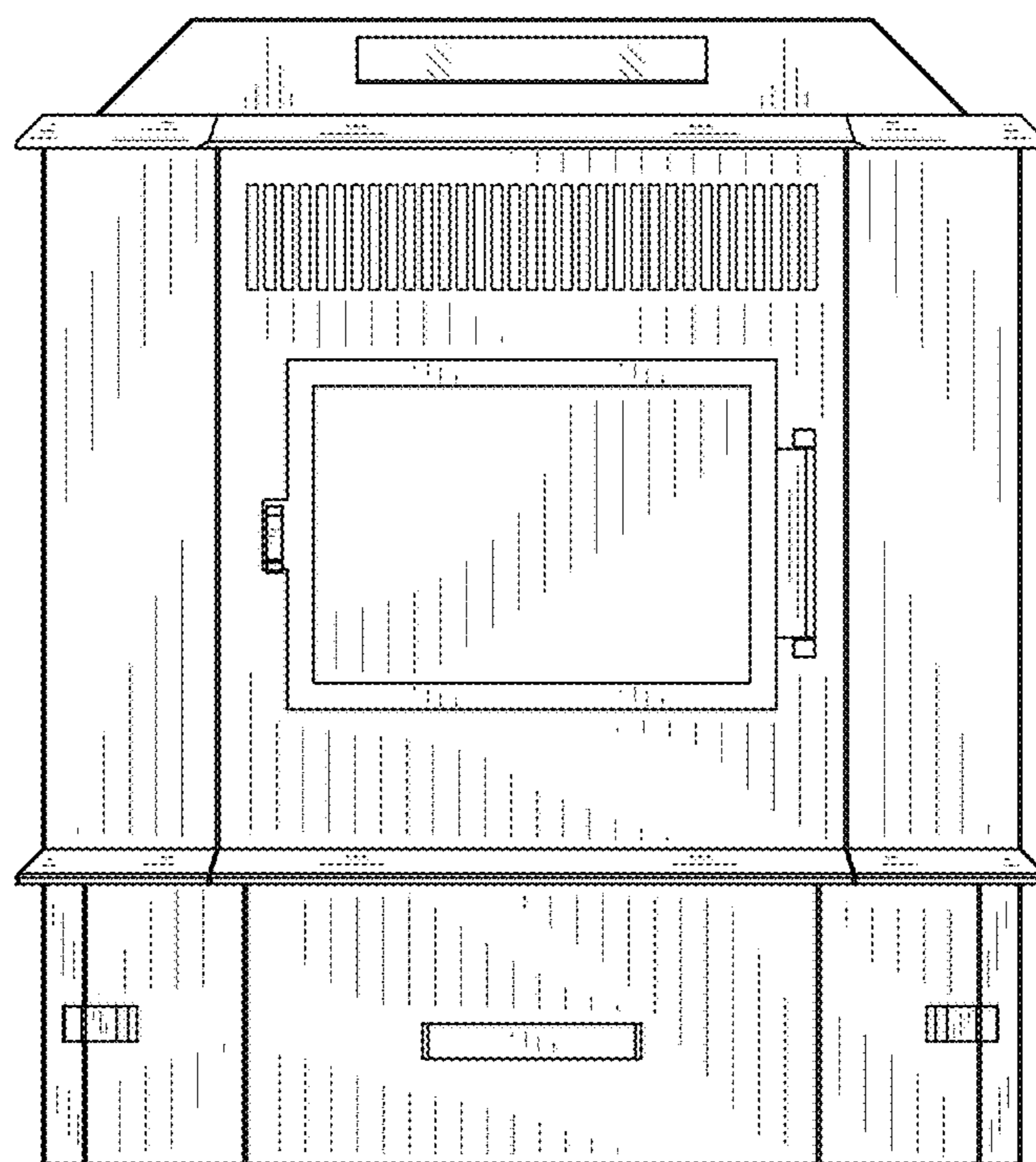
**U.S. PATENT DOCUMENTS**

- D296,924 S \* 7/1988 Rumens ..... D23/343
- D299,952 S \* 2/1989 Mowrey ..... D23/343
- D305,928 S \* 2/1990 Heger ..... D23/350
- D359,345 S 6/1995 Schroeter
- D362,494 S 9/1995 Riener
- D377,828 S \* 2/1997 Wilson ..... D23/343
- D381,071 S \* 7/1997 Hussong ..... D23/317

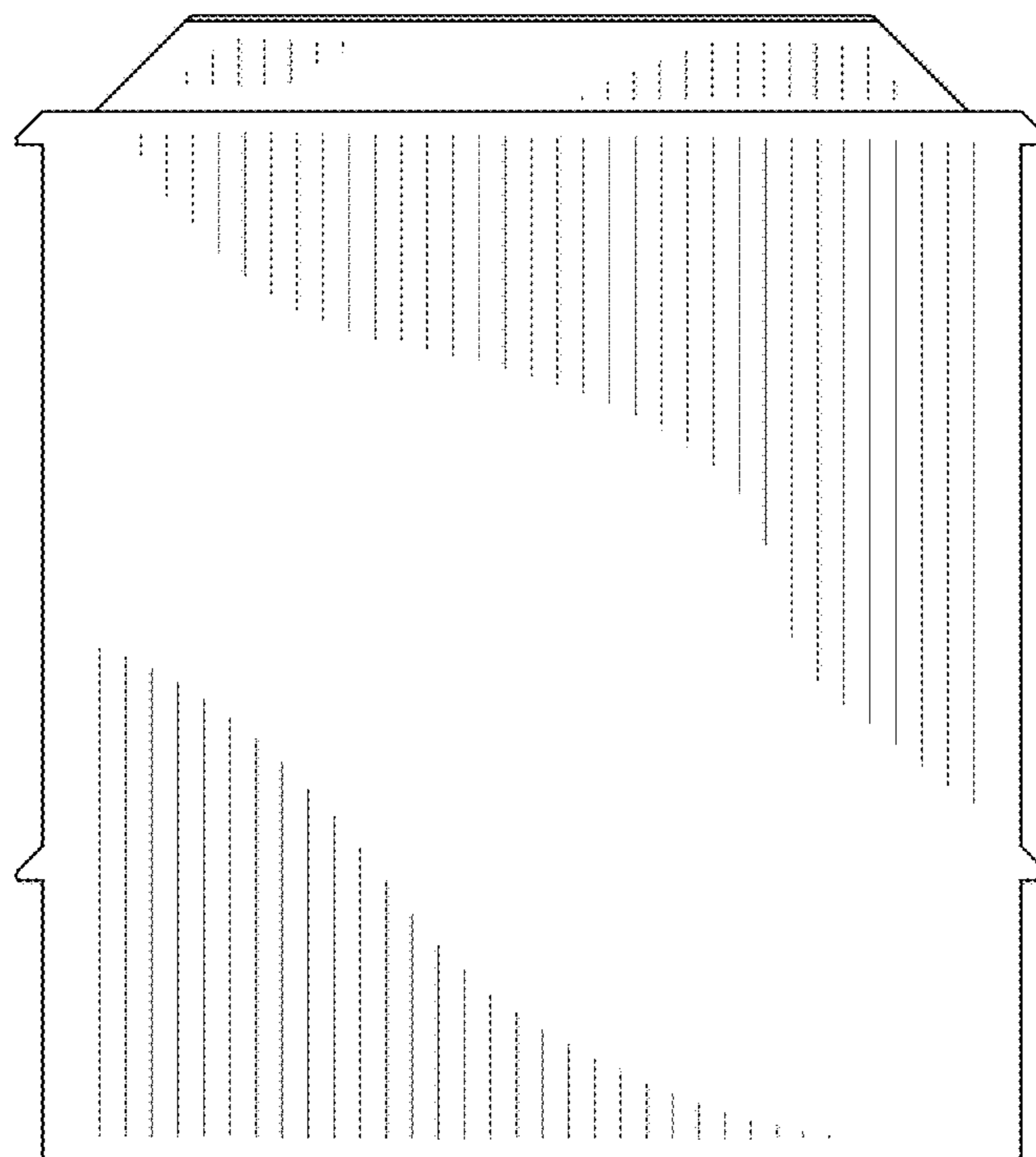




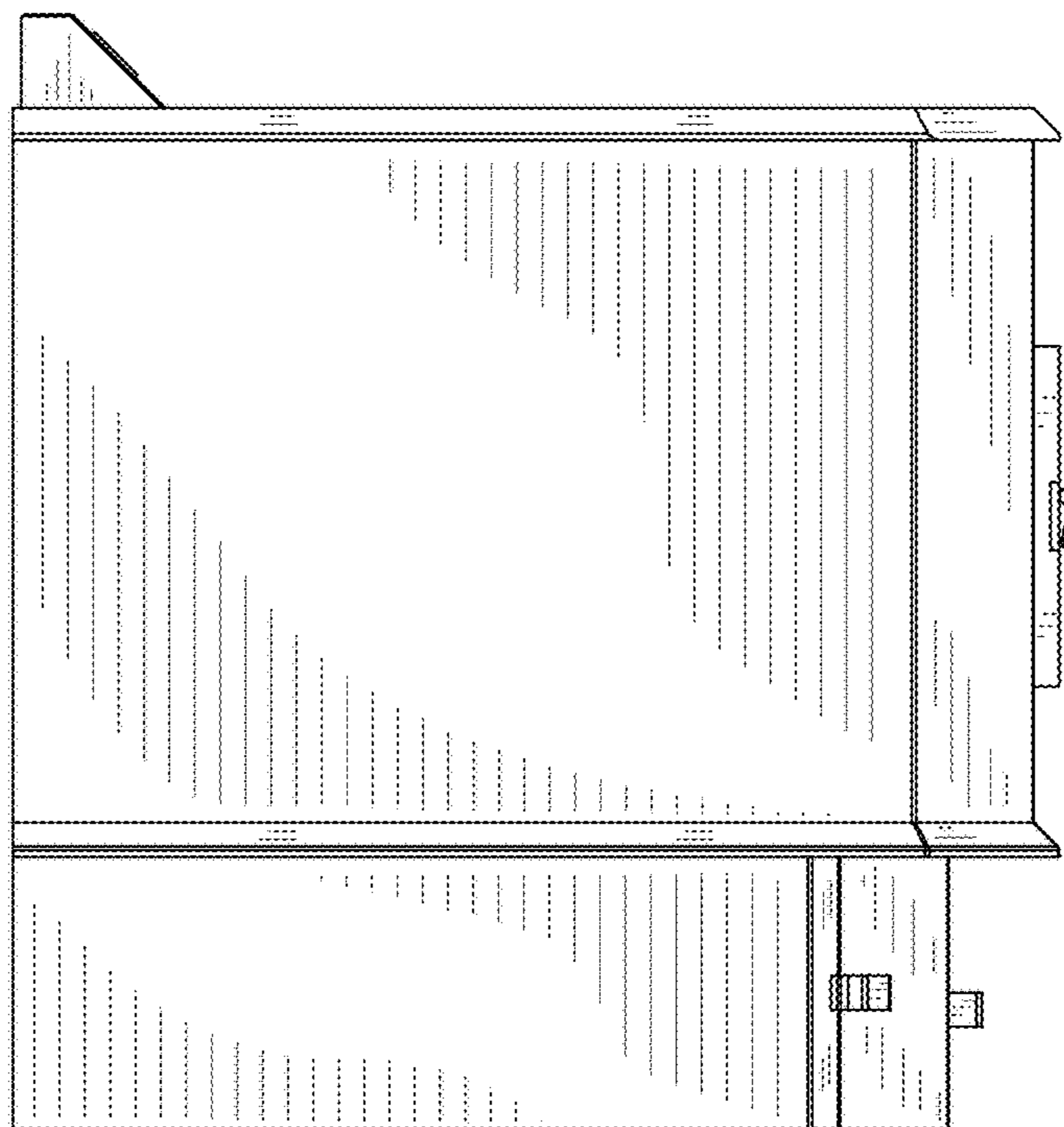
**FIG. 1**



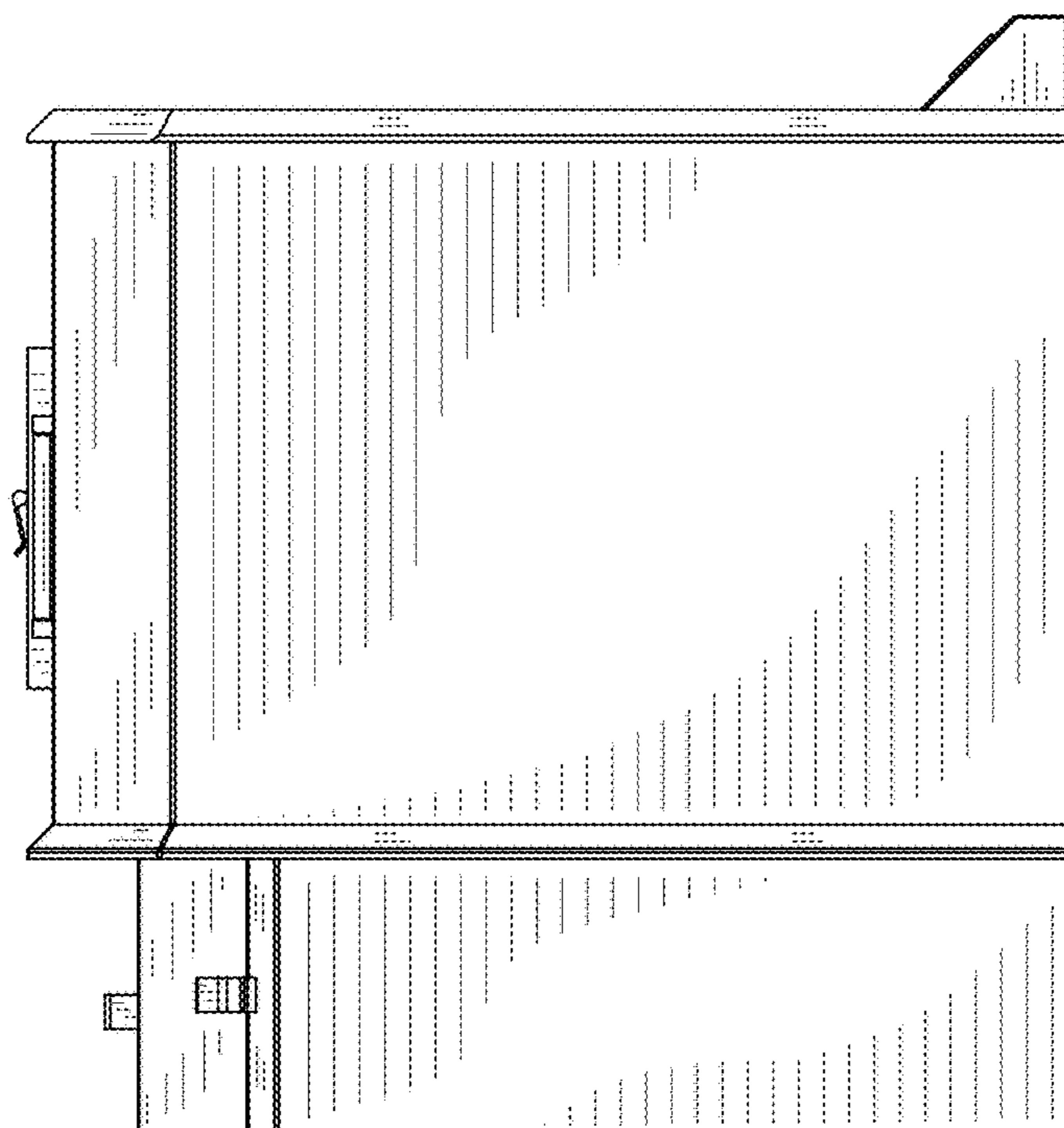
**FIG. 2**



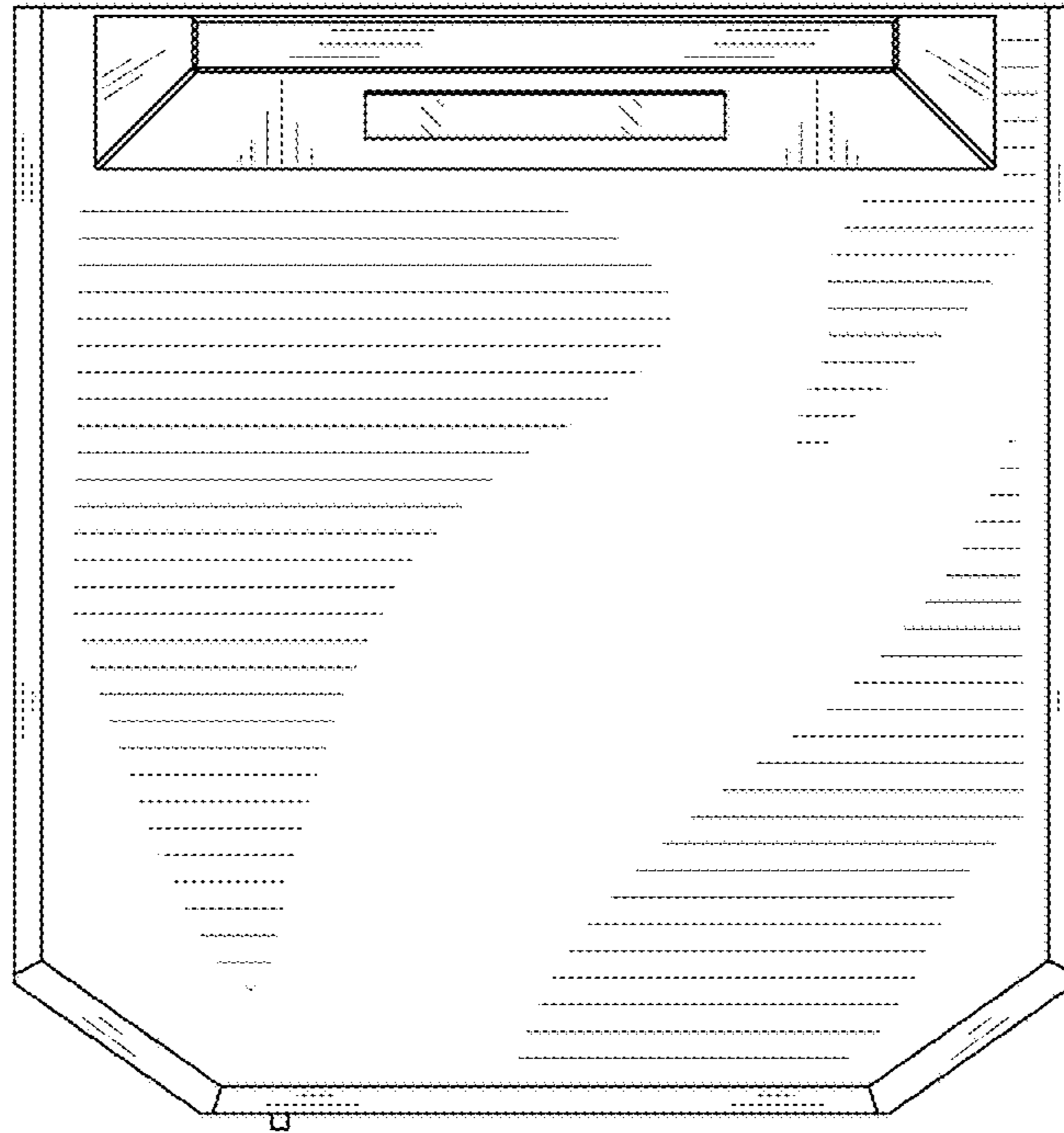
**FIG. 3**



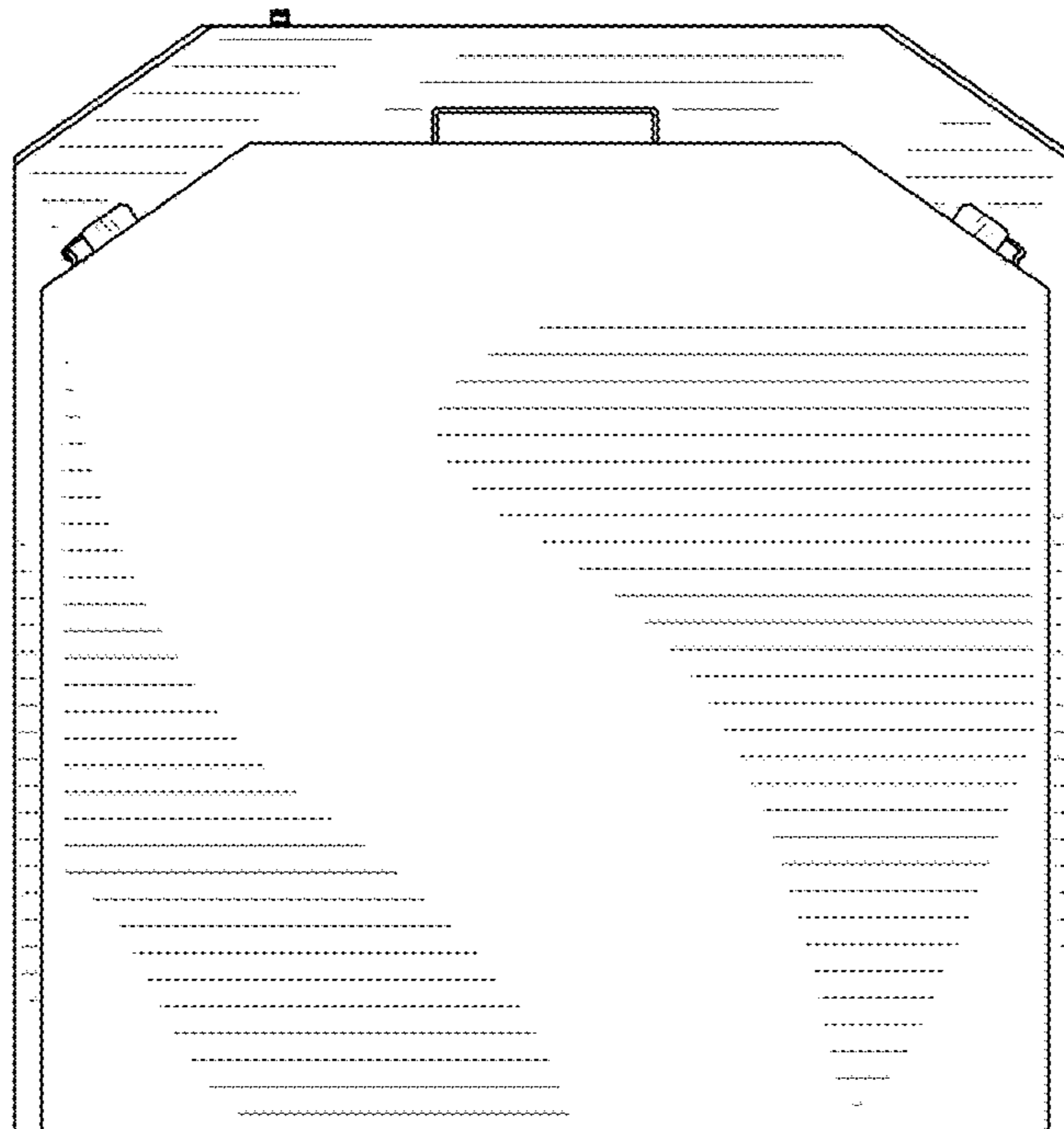
**FIG. 4**



**FIG. 5**



**FIG. 6**



**FIG. 7**