



US00D791922S

(12) **United States Design Patent** (10) **Patent No.:** **US D791,922 S**
Rexach (45) **Date of Patent:** **** Jul. 11, 2017**

(54) **FAUCET**
(71) Applicant: **Kohler Co.**, Kohler, WI (US)
(72) Inventor: **Rafael A. Rexach**, Sheboygan, WI (US)
(73) Assignee: **KOHLER CO.**, Kohler, WI (US)
(**) Term: **15 Years**
(21) Appl. No.: **29/571,418**
(22) Filed: **Jul. 18, 2016**

D352,095 S 11/1994 Bollenbacher
D354,548 S 1/1995 Bollenbacher et al.
D468,395 S 1/2003 Lord
D471,617 S 3/2003 Zhao
D471,964 S 3/2003 Bates et al.
D478,153 S 8/2003 Friedrich
D482,757 S 11/2003 Blomstrom
D482,758 S 11/2003 Bates et al.
D483,093 S 12/2003 Bates et al.
D484,217 S 12/2003 Lord
D486,885 S 2/2004 Graves et al.
D487,916 S 3/2004 Lord
D500,549 S 1/2005 Blomstrom
D506,244 S 6/2005 Burnworth et al.
D508,108 S 8/2005 Blomstrom
D516,177 S 2/2006 Ouyoung
D516,681 S 3/2006 Gilbert
D530,795 S 10/2006 Sutopo
D531,273 S 10/2006 Tsai

Related U.S. Application Data

(62) Division of application No. 29/543,039, filed on Oct. 20, 2015, now Pat. No. Des. 765,225, which is a division of application No. 29/509,189, filed on Nov. 14, 2014, now Pat. No. Des. 750,205.

(51) **LOC (10) Cl.** **23-01**
(52) **U.S. Cl.**
USPC **D23/249**
(58) **Field of Classification Search**
USPC D23/238-243, 249, 253, 255, 257, 250,
D23/252
CPC E03C 1/04; E03C 1/0401; E03C 1/0402;
E03C 1/0404
See application file for complete search history.

(56) **References Cited**

U.S. PATENT DOCUMENTS

1,838,290 A 12/1931 Steckel
D318,905 S 8/1991 Reid
D348,509 S 7/1994 Bollenbacher
D349,208 S 8/1994 Bollenbacher
D349,328 S 8/1994 Bollenbacher
D349,331 S 8/1994 Bollenbacher
D349,948 S 8/1994 Bollenbacher et al.
D350,184 S 8/1994 Kohler, Jr.
D350,390 S 9/1994 Bollenbacher

(Continued)

Primary Examiner — Robert Delehanty

(74) *Attorney, Agent, or Firm* — Foley & Lardner LLP

(57) **CLAIM**

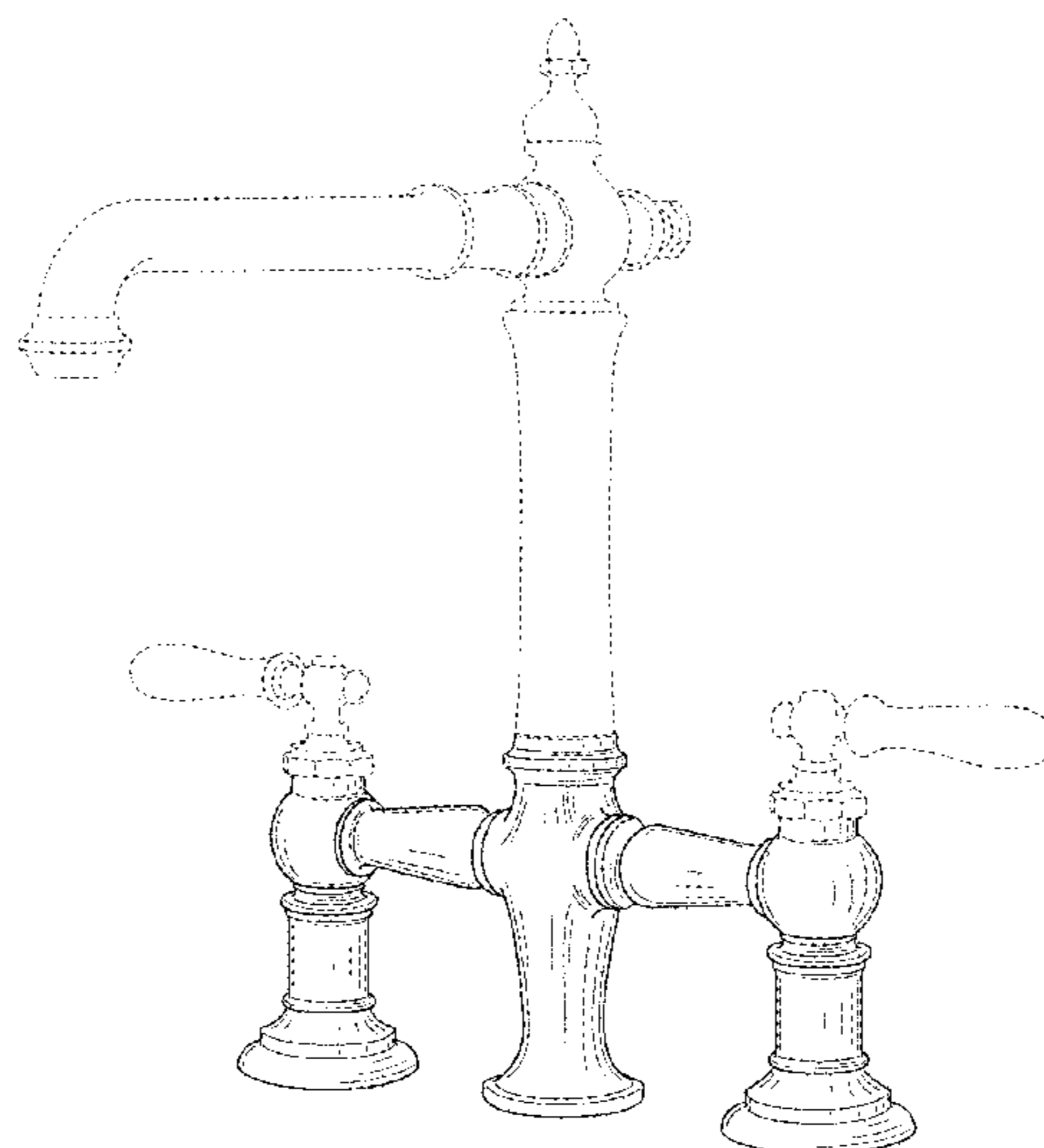
I claim the ornamental design for a faucet, as shown and described.

DESCRIPTION

FIG. 1 is a top, front, right perspective view of an embodiment of the claimed design;
FIG. 2 is a front elevation view thereof;
FIG. 3 is a rear elevation view thereof;
FIG. 4 is a right side elevation view thereof;
FIG. 5 is a left side elevation view thereof;
FIG. 6 is a top plan view thereof; and,
FIG. 7 is a bottom plan view thereof.

The ornamental design which is claimed is shown in solid lines in the drawings. The broken lines in the drawings are for illustrative purposes only and form no part of the claimed design. Broken lines formed by equal length dashes show unclaimed subject matter.

1 Claim, 7 Drawing Sheets



(56)

References Cited

U.S. PATENT DOCUMENTS

D534,621 S	1/2007	Chu et al.
D534,987 S	1/2007	Eilmus
D562,947 S	2/2008	Zhang
D568,440 S	5/2008	Pan
D579,080 S	10/2008	Zhang
D579,516 S	10/2008	Hsu
D581,486 S	11/2008	Fulford et al.
D582,011 S	12/2008	Yuan
D582,510 S	12/2008	Tsai
D591,402 S	4/2009	Eckhaus
7,533,683 B2	5/2009	Ortega et al.
D617,418 S	6/2010	Lin
D636,850 S	4/2011	Shieh
D641,068 S	7/2011	Pendleton
D641,454 S	7/2011	McKeone
D645,944 S	9/2011	Gilbert
D651,454 S	1/2012	Chin
D713,508 S	9/2014	Downey et al.
D713,510 S	9/2014	Downey et al.
D717,928 S	11/2014	Rexach et al.
D718,420 S	11/2014	Rexach et al.
D718,425 S	11/2014	Rexach et al.
D718,426 S	11/2014	Rexach et al.
9,151,405 B2	10/2015	Marotz et al.

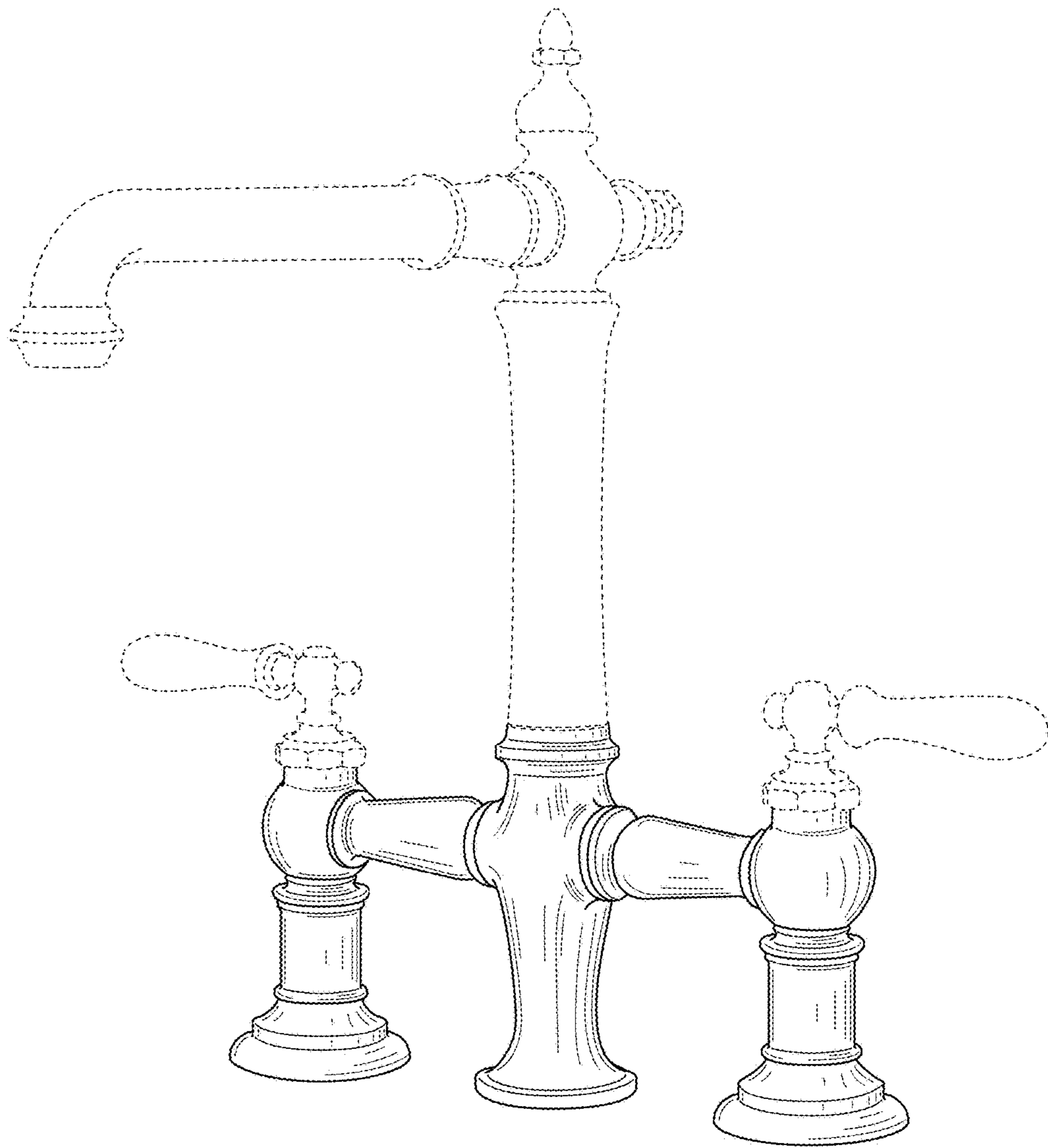


FIG. 1

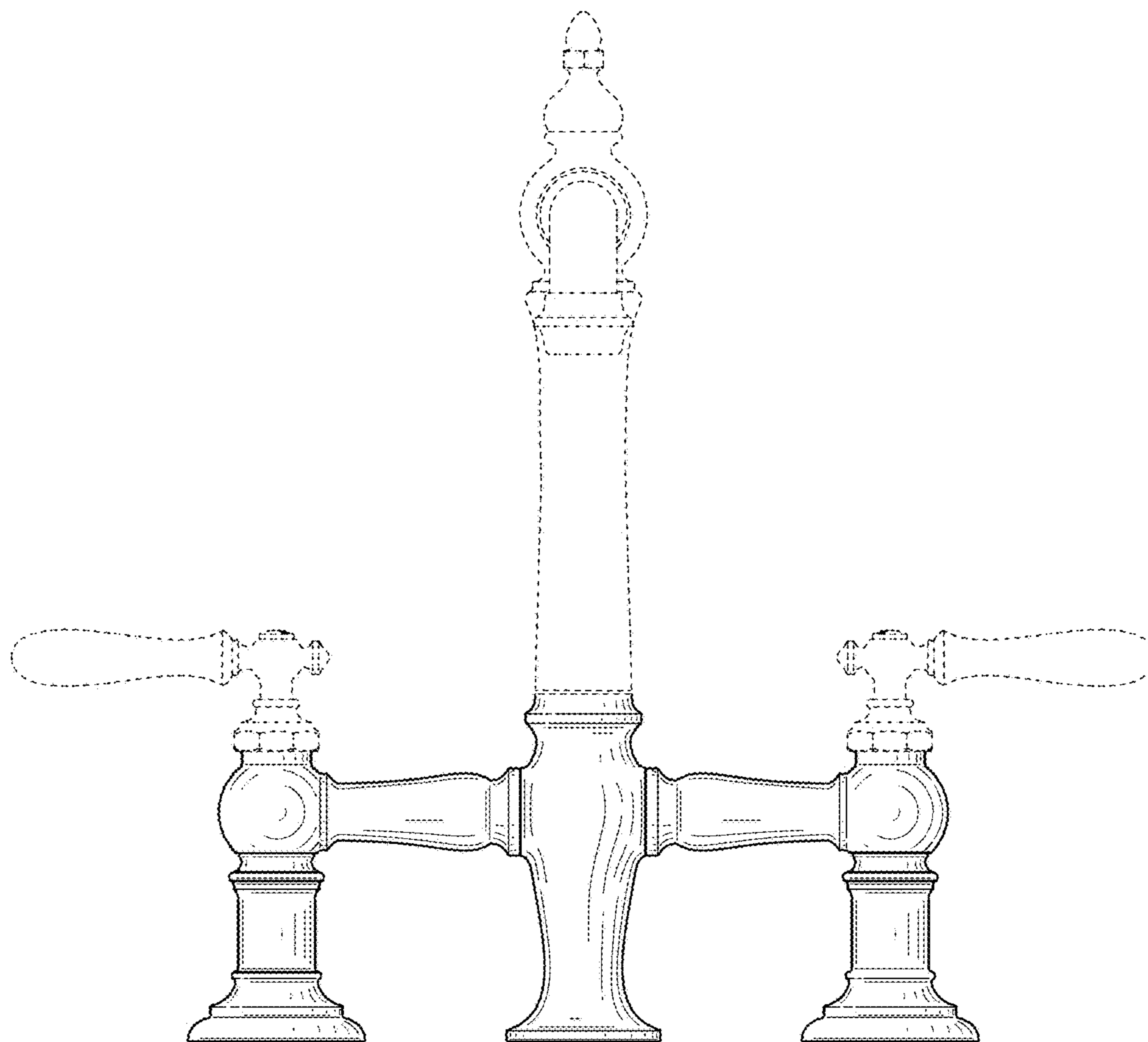


FIG. 2

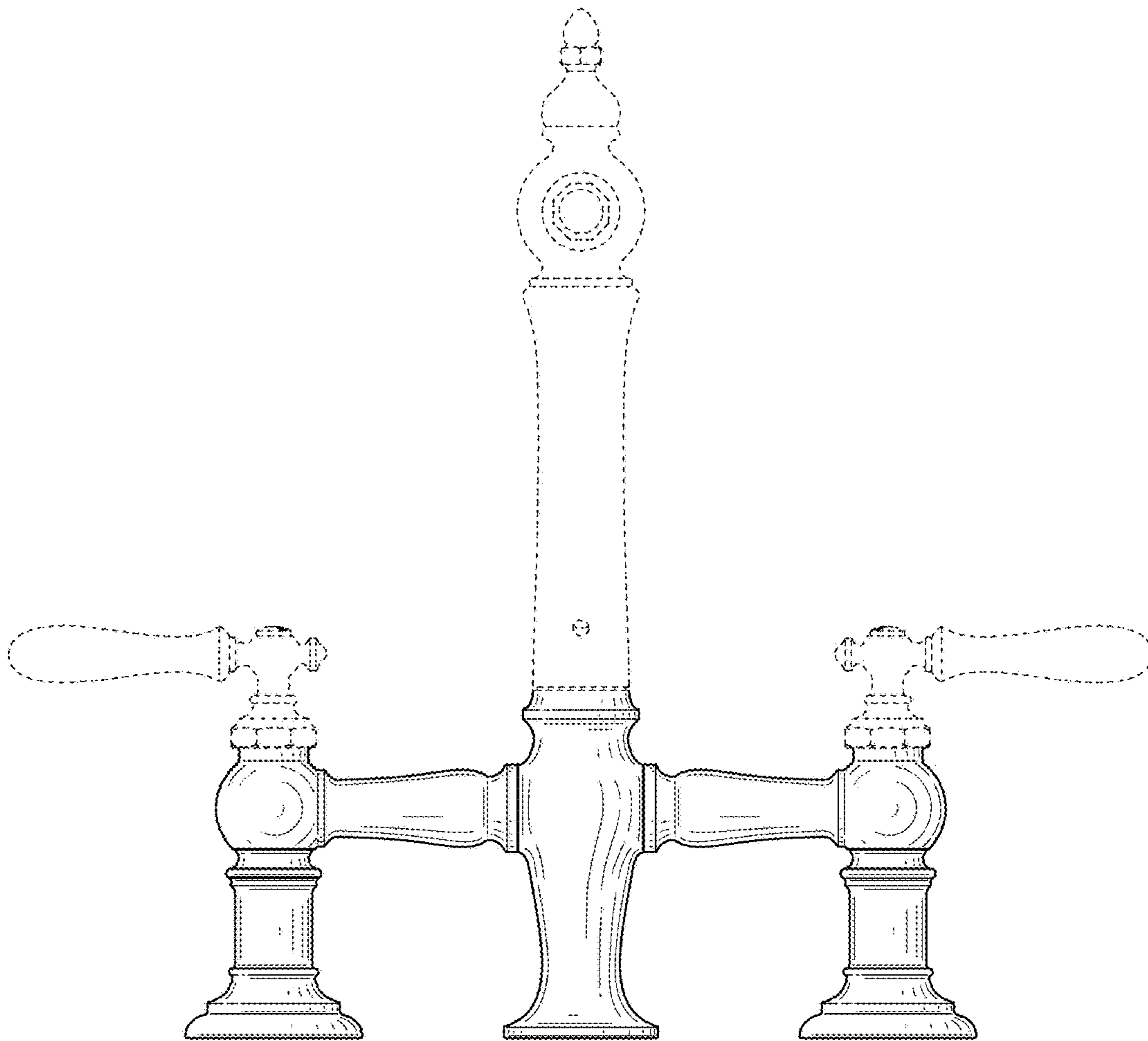


FIG. 3

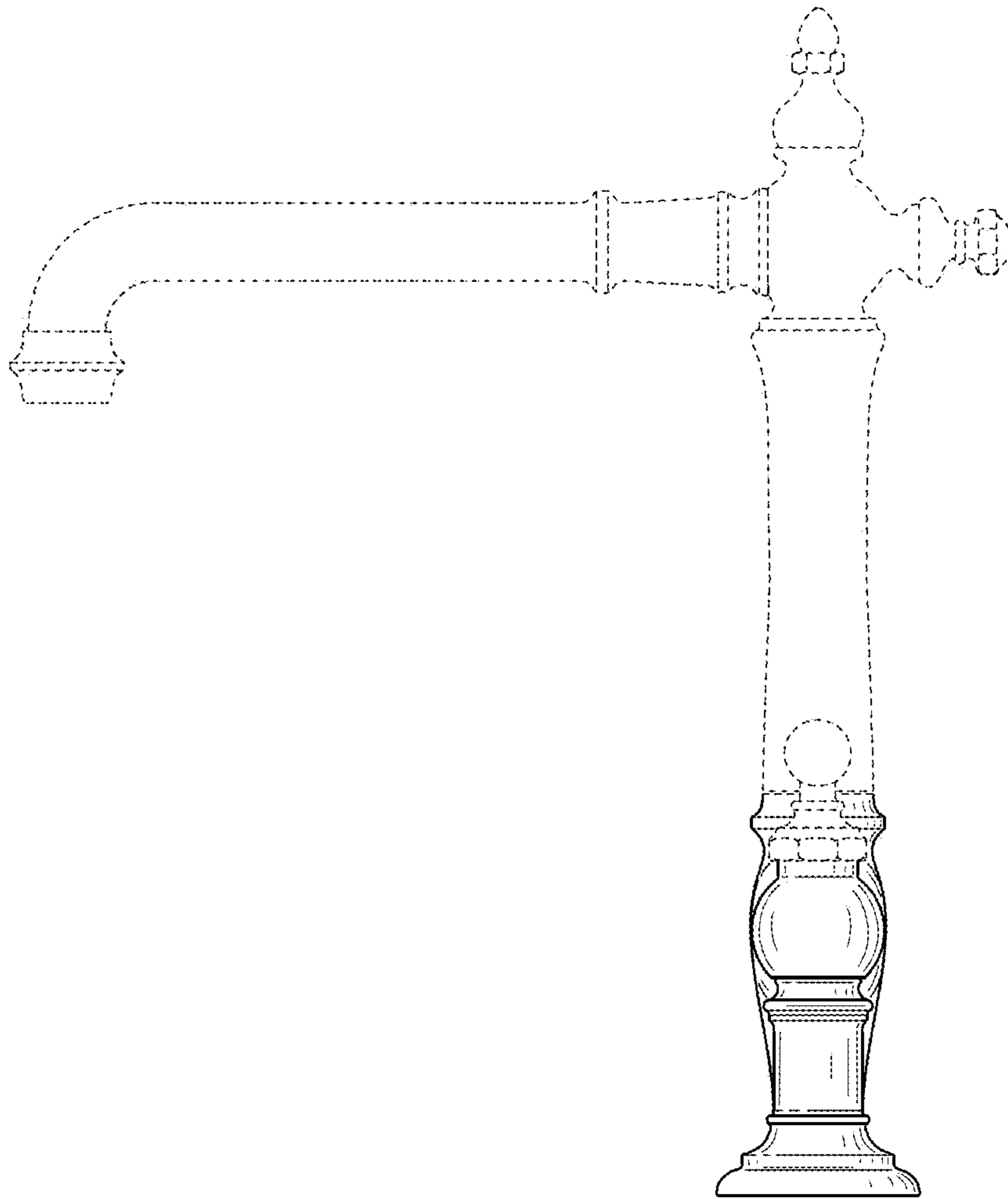


FIG. 4

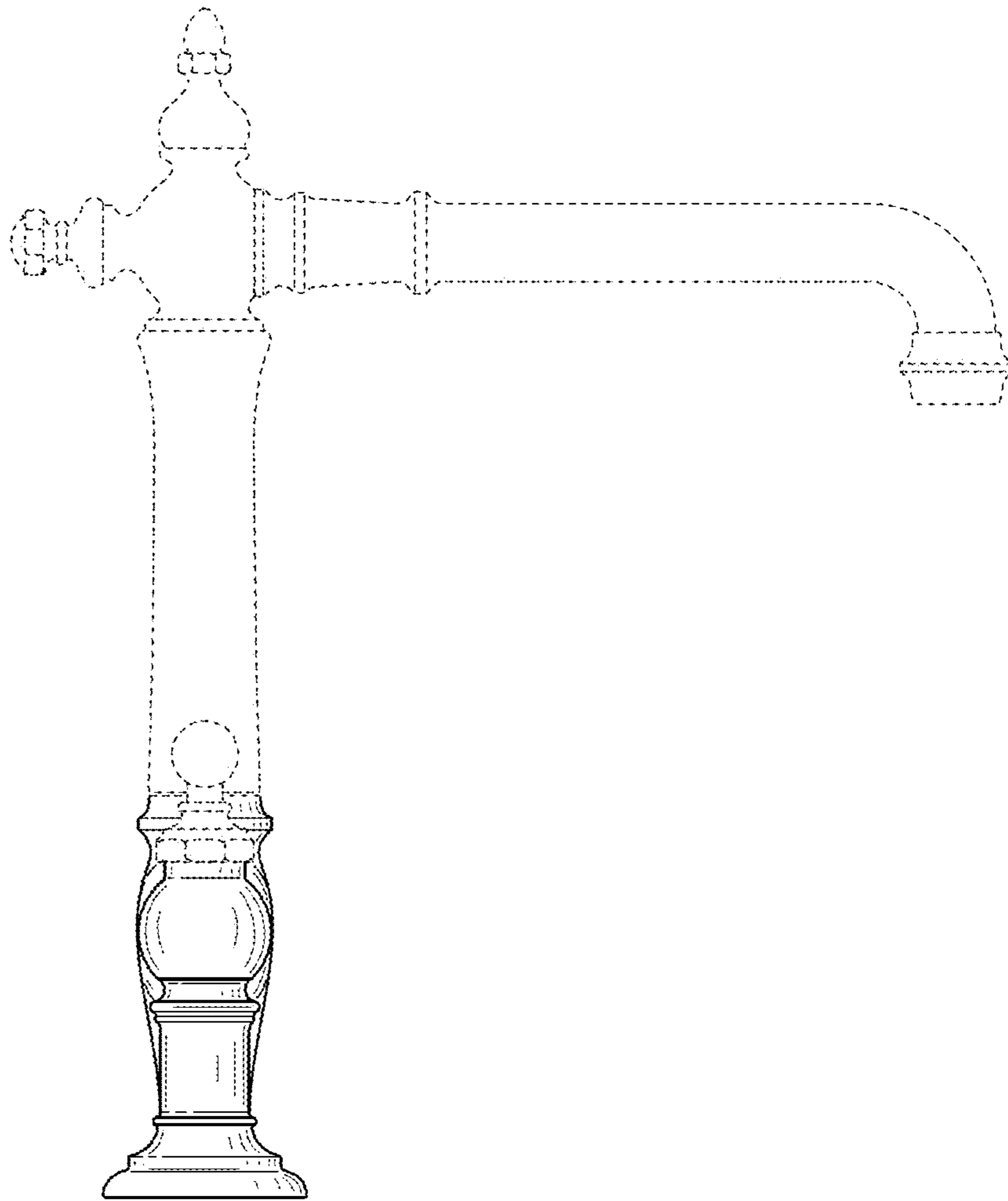


FIG. 5

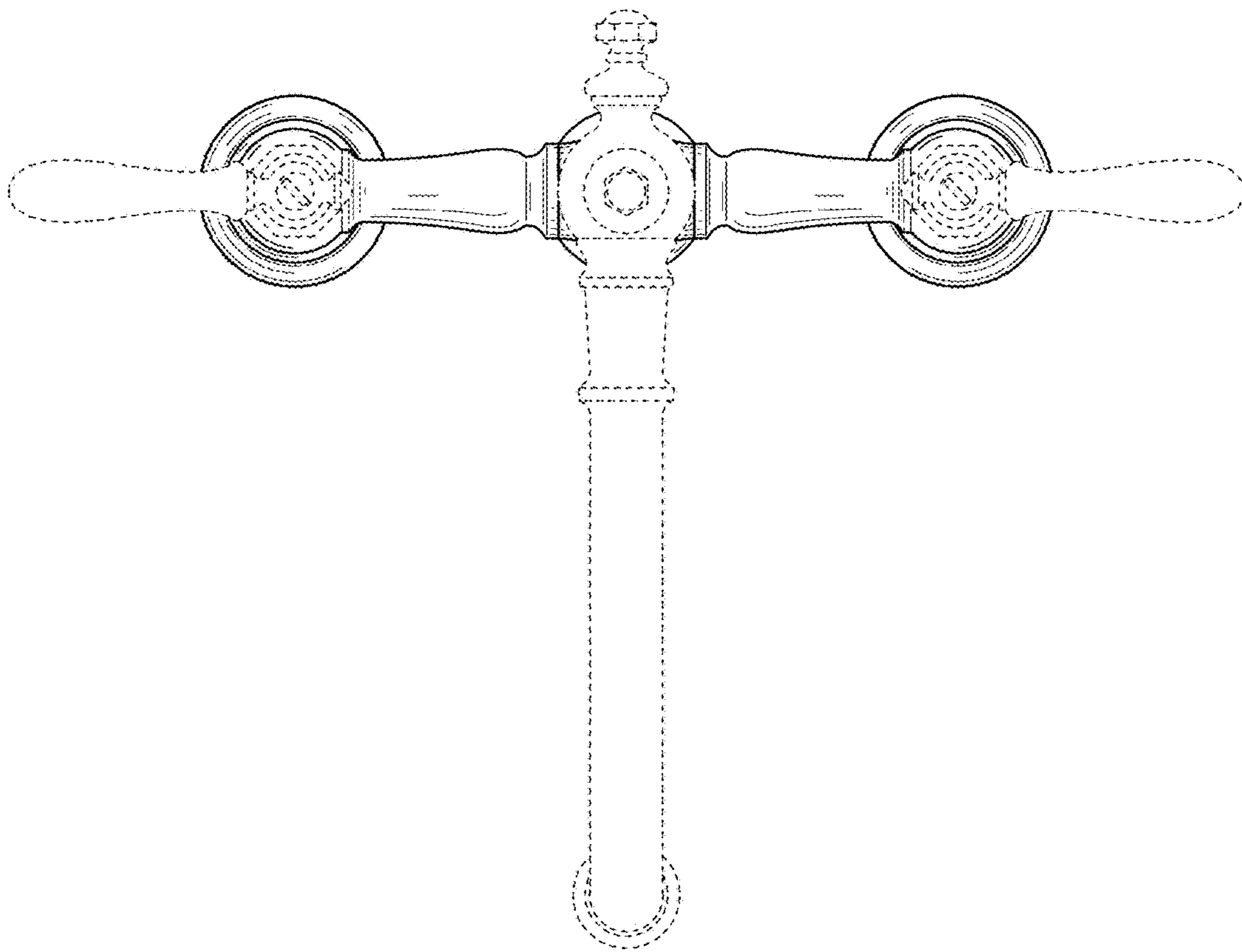


FIG. 6

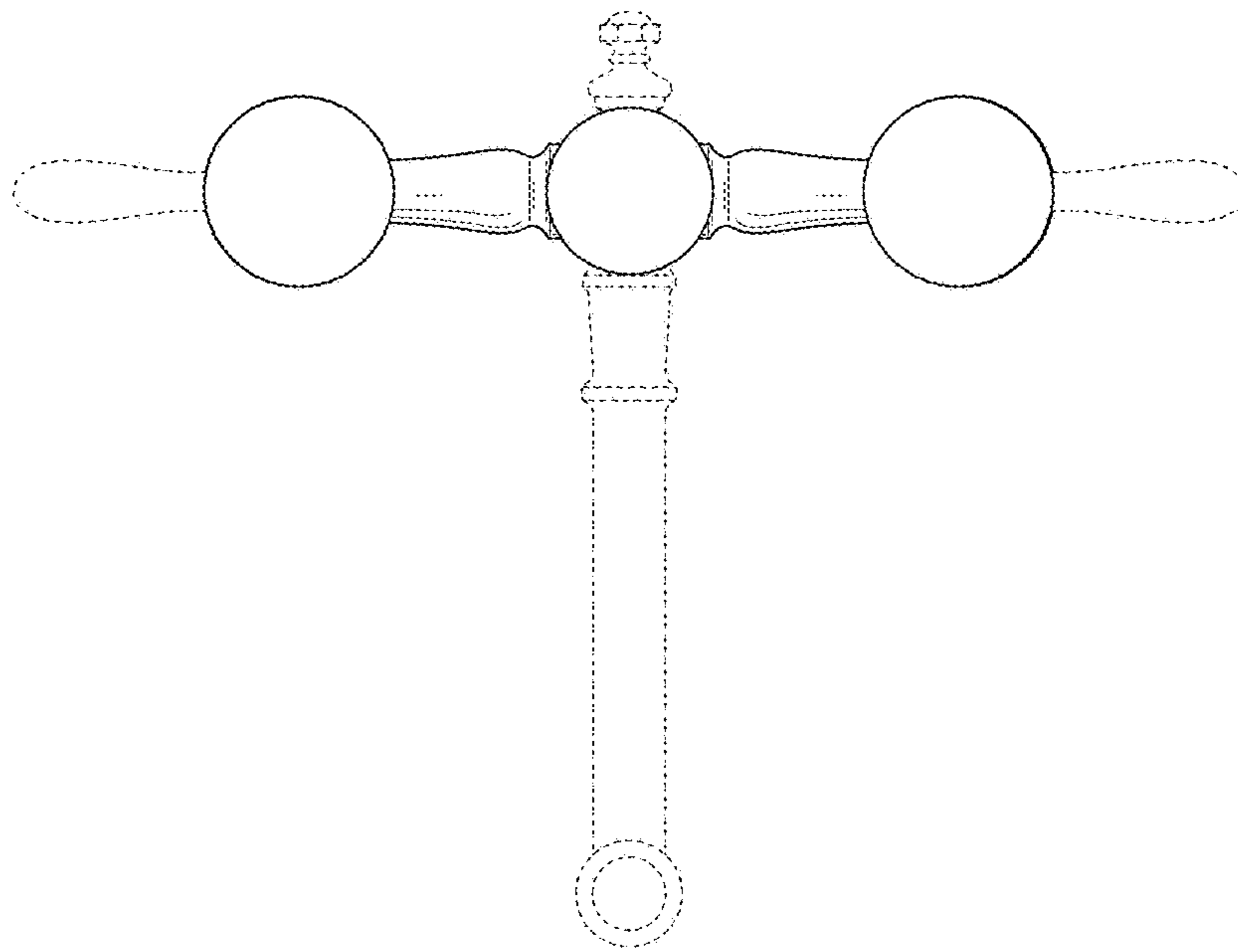


FIG. 7