



US00D791921S

(12) **United States Design Patent** (10) **Patent No.:** **US D791,921 S**
Blum (45) **Date of Patent:** **** Jul. 11, 2017**

(54) **STREAM STRAIGHTENER FOR FAUCET**

D697,174 S 1/2014 Blum
D699,816 S 2/2014 Blum
D709,593 S 7/2014 Blum
2006/0163386 A1 7/2006 Weis et al.
2008/0111007 A1 5/2008 Grether
2008/0149743 A1 6/2008 Weis et al.
2011/0006132 A1 1/2011 Grether
2011/0266369 A1 11/2011 Grether

(71) Applicant: **Neoperl GmbH**, Mullheim (DE)

(72) Inventor: **Gerhard Blum**, Gutach (DE)

(73) Assignee: **Neoperl GmbH**, Müllheim (DE)

(**) Term: **15 Years**

Primary Examiner — Cynthia Ramirez

(74) *Attorney, Agent, or Firm* — Volpe and Koenig, P.C.

(21) Appl. No.: **29/544,392**

(22) Filed: **Nov. 3, 2015**

(57) **CLAIM**

The ornamental design for a stream straightener for faucet, as shown and described.

Related U.S. Application Data

(62) Division of application No. 29/478,999, filed on Jan. 10, 2014, now Pat. No. Des. 745,641, which is a division of application No. 29/407,160, filed on Nov. 23, 2011, now Pat. No. Des. 699,816.

(51) **LOC (10) Cl.** **23-01**

(52) **U.S. Cl.**
USPC **D23/249; D23/213**

(58) **Field of Classification Search**
USPC D23/213, 249, 233–237, 244–248;
239/428.5, 437; 261/DIG. 22
CPC E03C 1/084; B05B 7/0425; B05B 1/18
See application file for complete search history.

DESCRIPTION

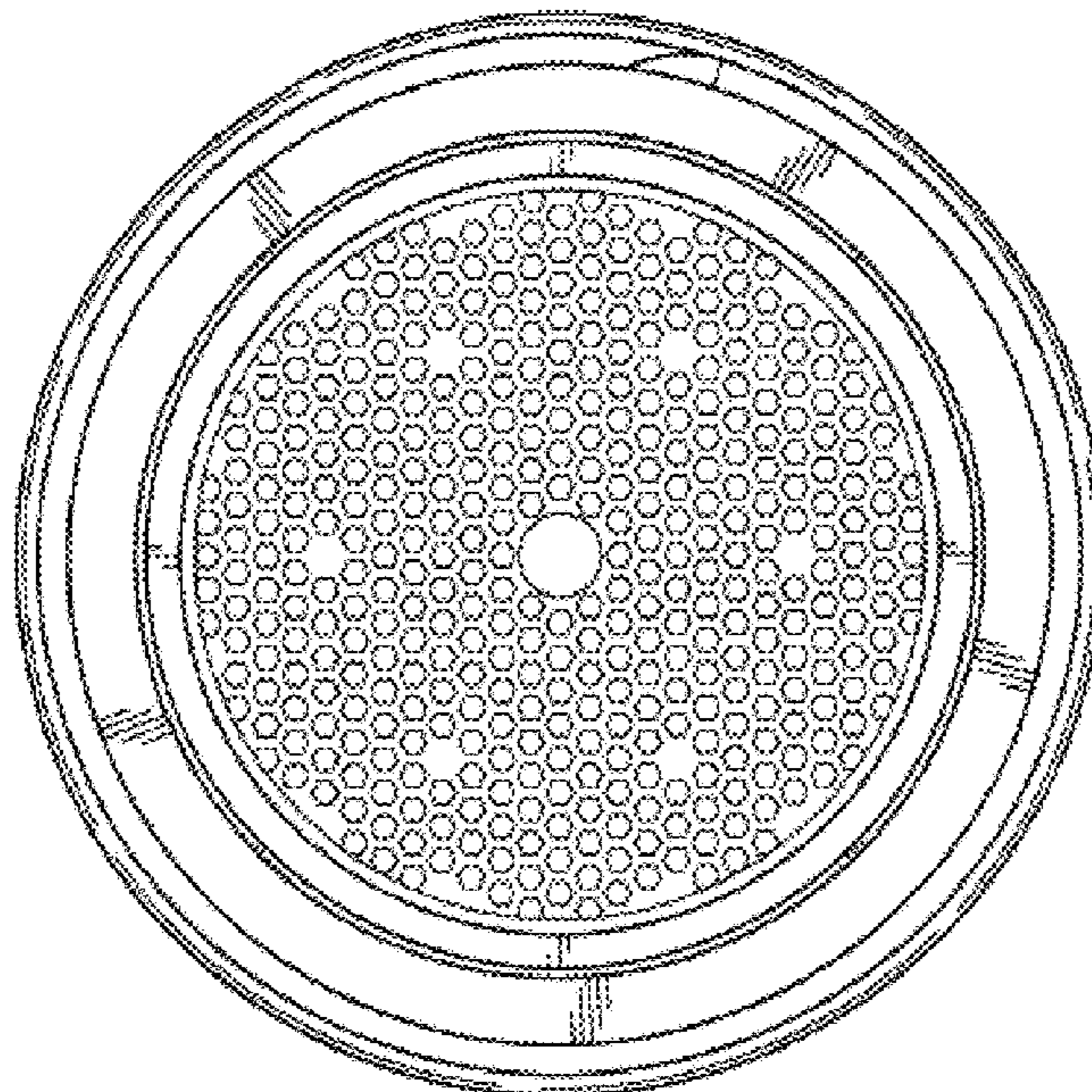
FIG. 1 is a top plan view of a first embodiment of a stream straightener for faucet in accordance with my design; FIG. 2 is a top, front, right perspective view thereof; FIG. 3 is a bottom view thereof; FIG. 4 is a bottom, rear, left perspective view thereof; and FIG. 5 is a right side elevational view thereof; FIG. 6 is a top plan view of a second embodiment of a stream straightener for faucet in accordance with my design; FIG. 7 is a top, front, right perspective view thereof; FIG. 8 is a bottom view thereof; FIG. 9 is a bottom, rear, left perspective view thereof; and FIG. 10 is a right side elevational view thereof; FIG. 11 is a top plan view of a third embodiment of a stream straightener for faucet in accordance with my design; FIG. 12 is a top, front, right perspective view thereof; FIG. 13 is a bottom view thereof; FIG. 14 is a bottom, rear, left perspective view thereof; and FIG. 15 is a right side elevational view thereof.

(56) **References Cited**

U.S. PATENT DOCUMENTS

D604,806 S 11/2009 Blum
7,644,876 B2 1/2010 Weis et al.
D622,355 S 8/2010 Grether
D641,836 S 7/2011 Grether
D641,838 S 7/2011 Grether
D642,662 S 8/2011 Grether
D684,240 S 6/2013 Stein

1 Claim, 8 Drawing Sheets



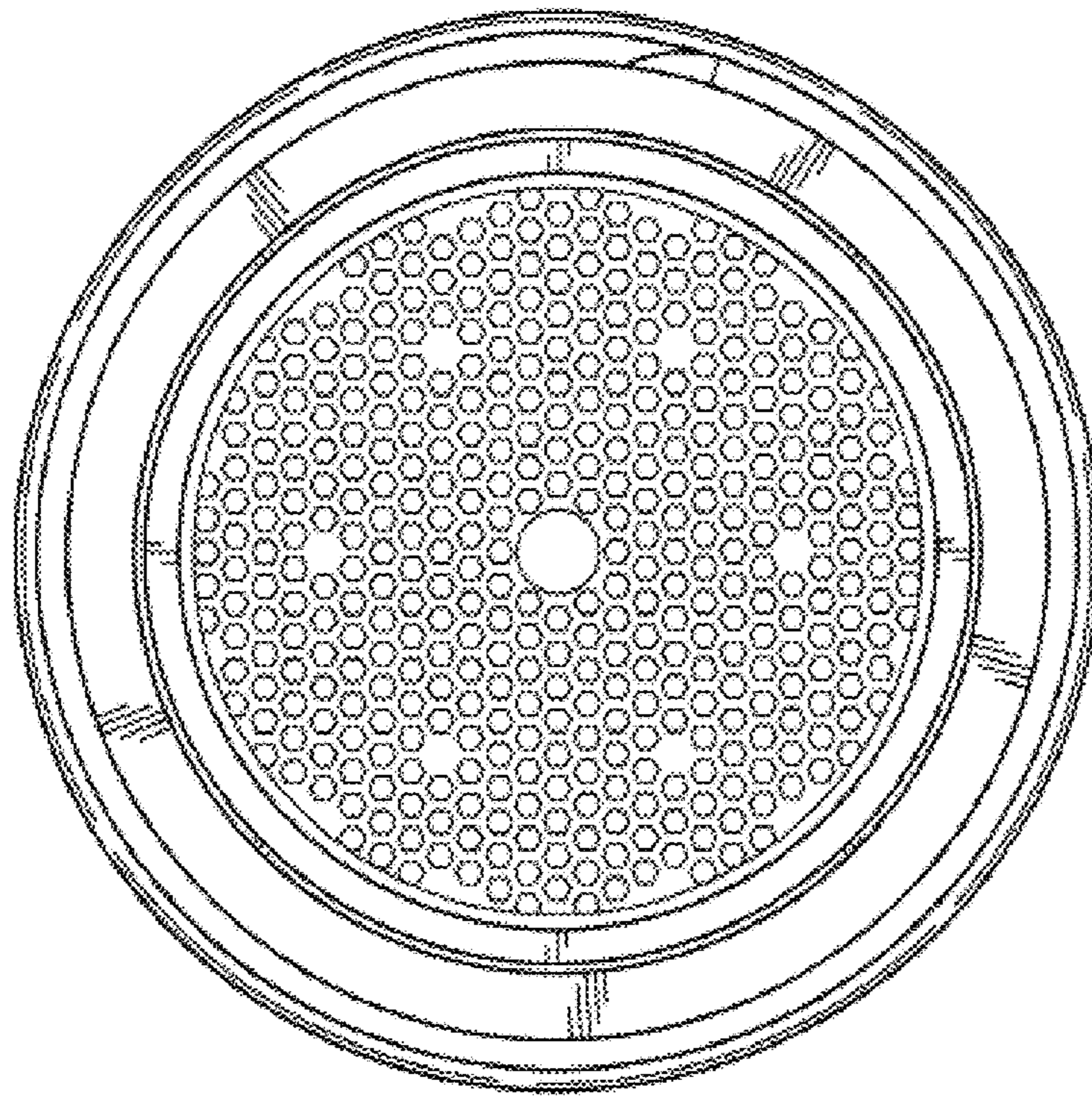


Fig. 1

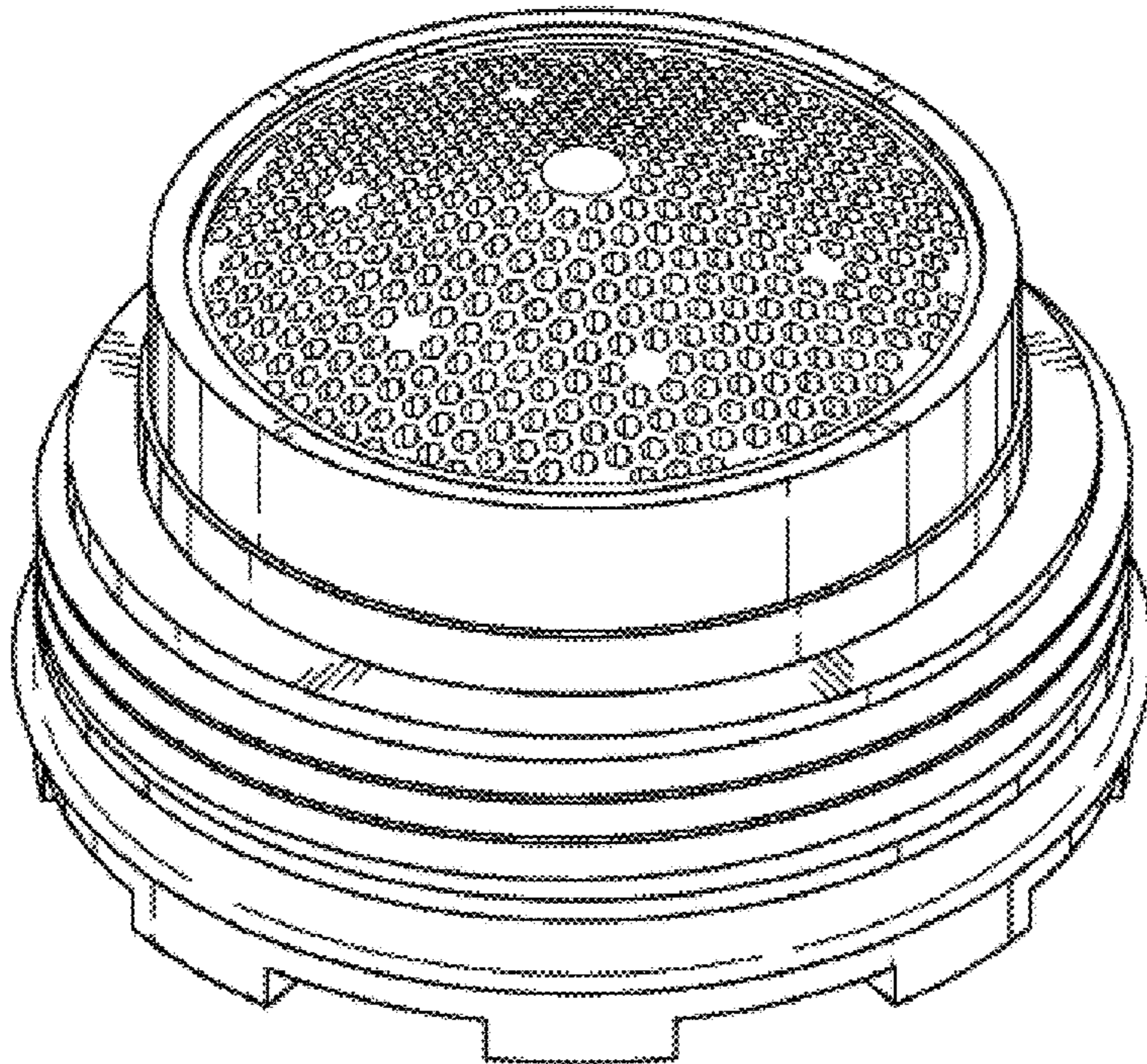


Fig. 2

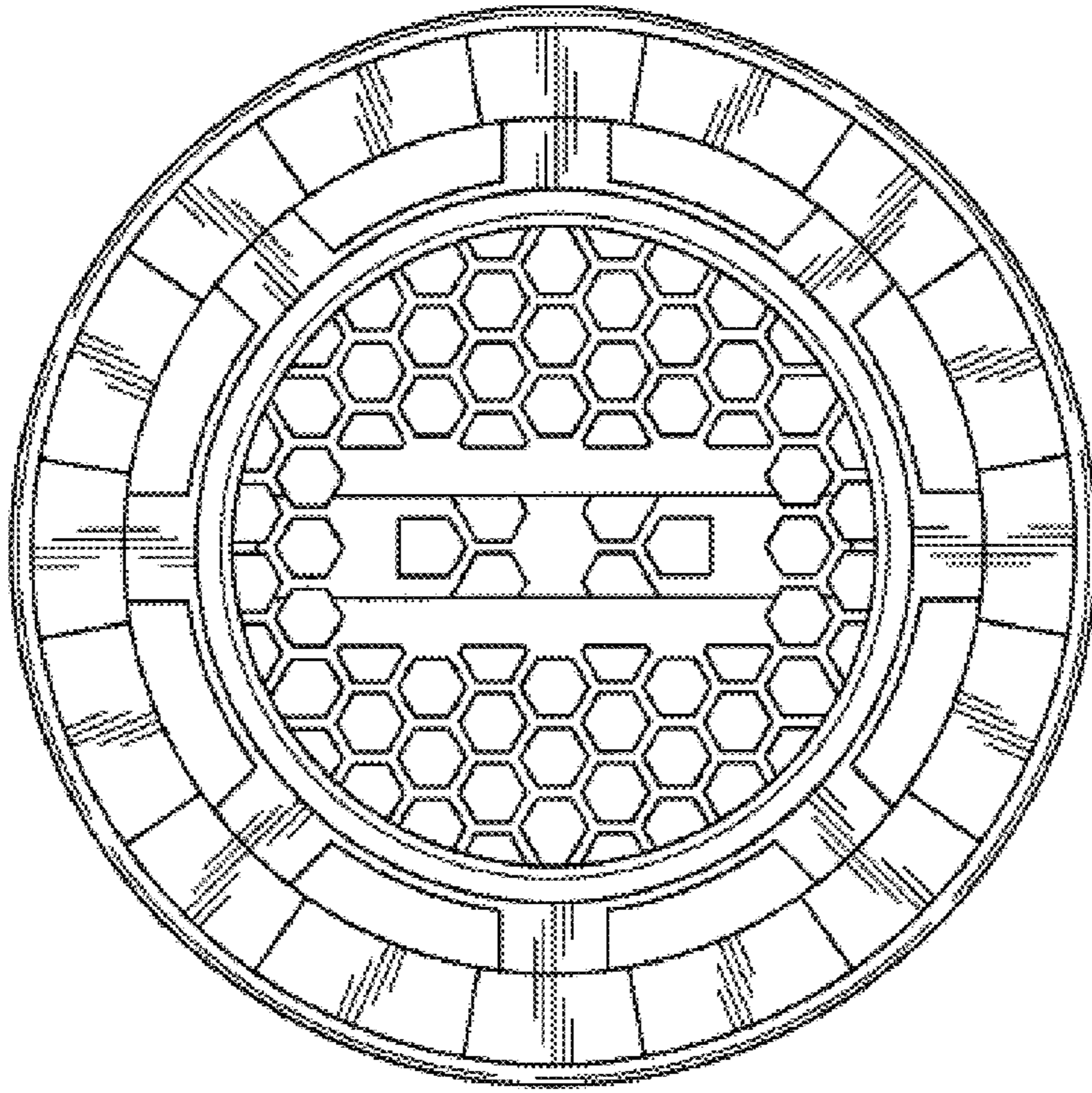


Fig. 3

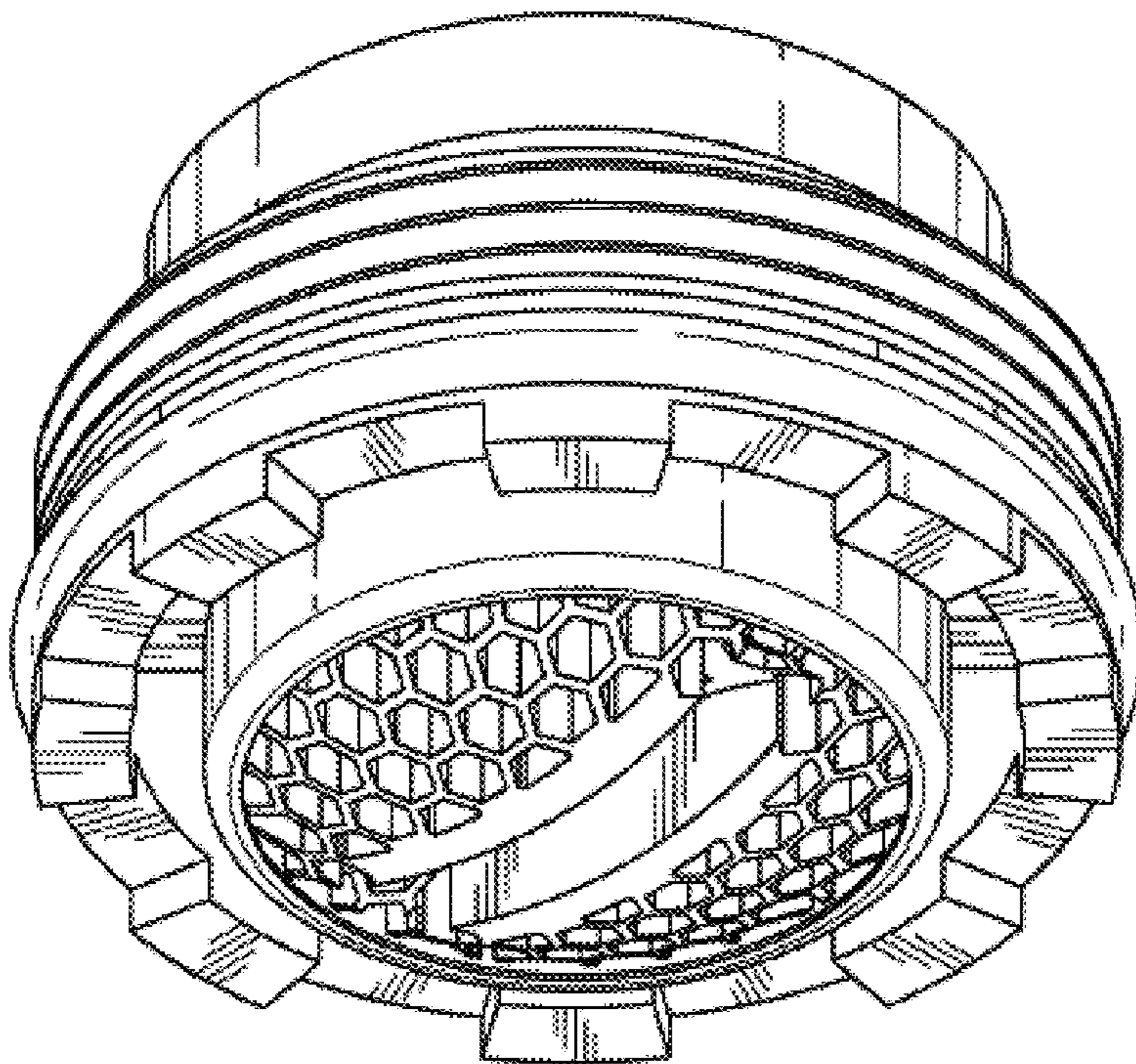


Fig. 4

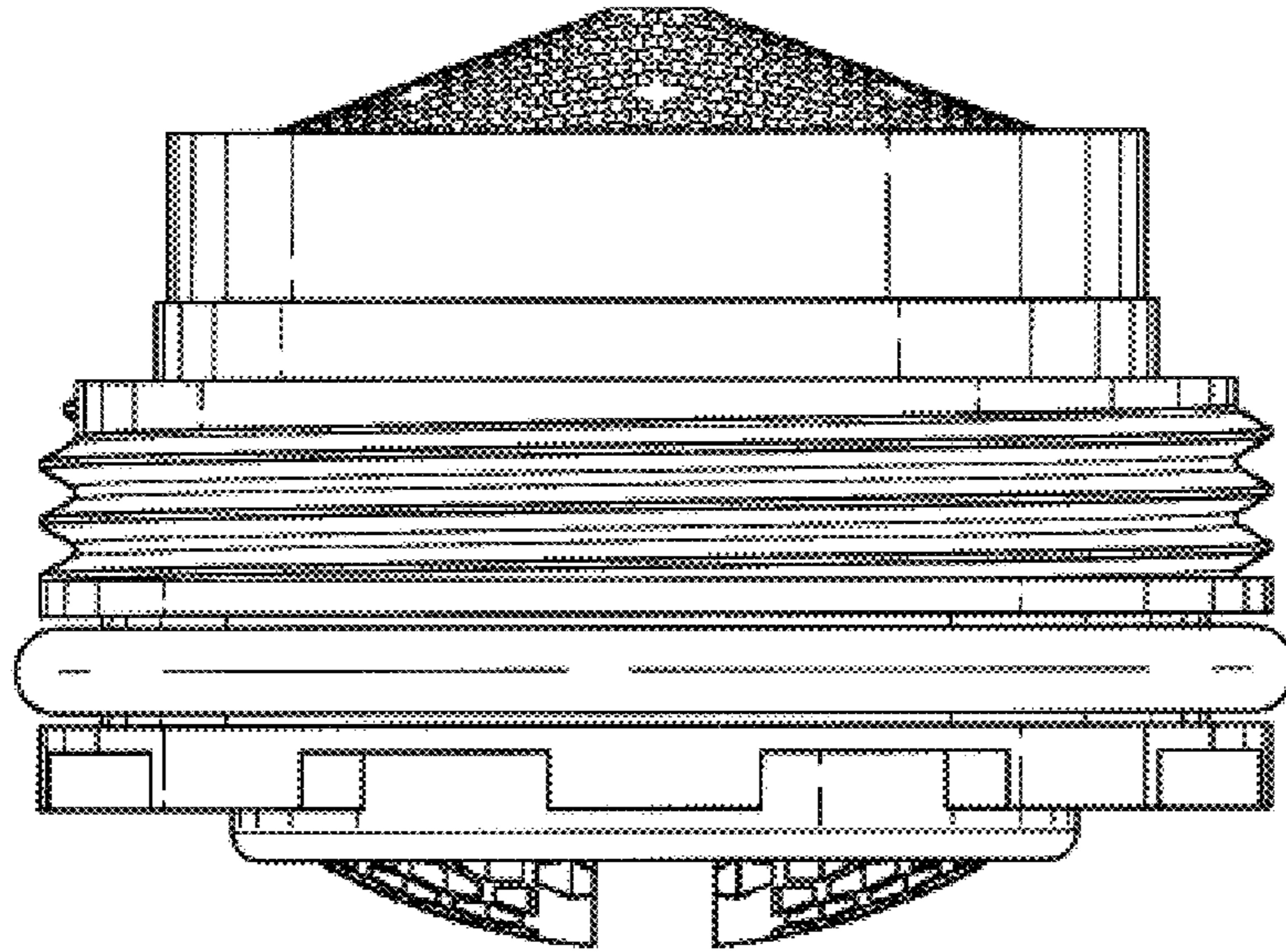


Fig. 5

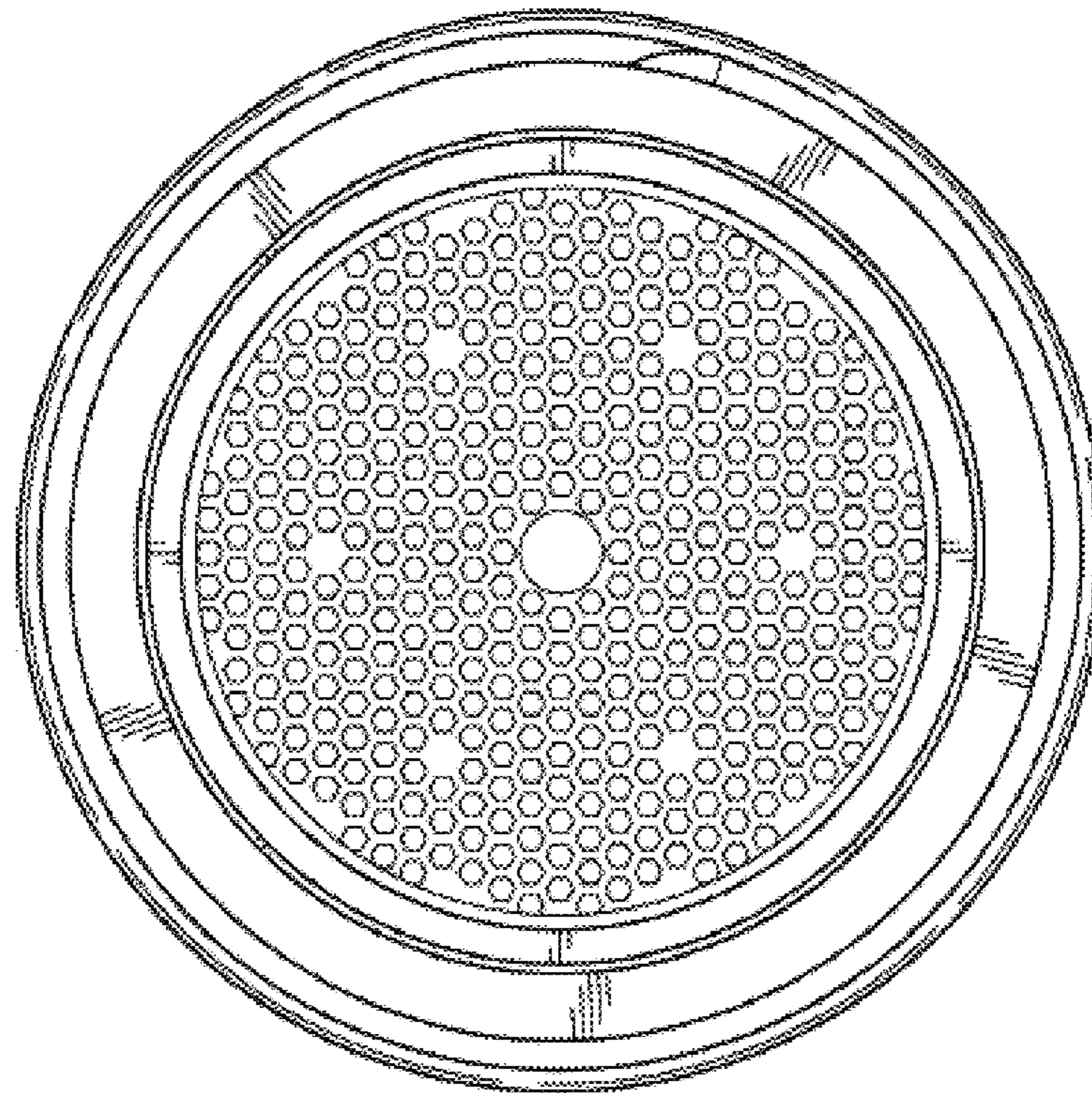


Fig. 6

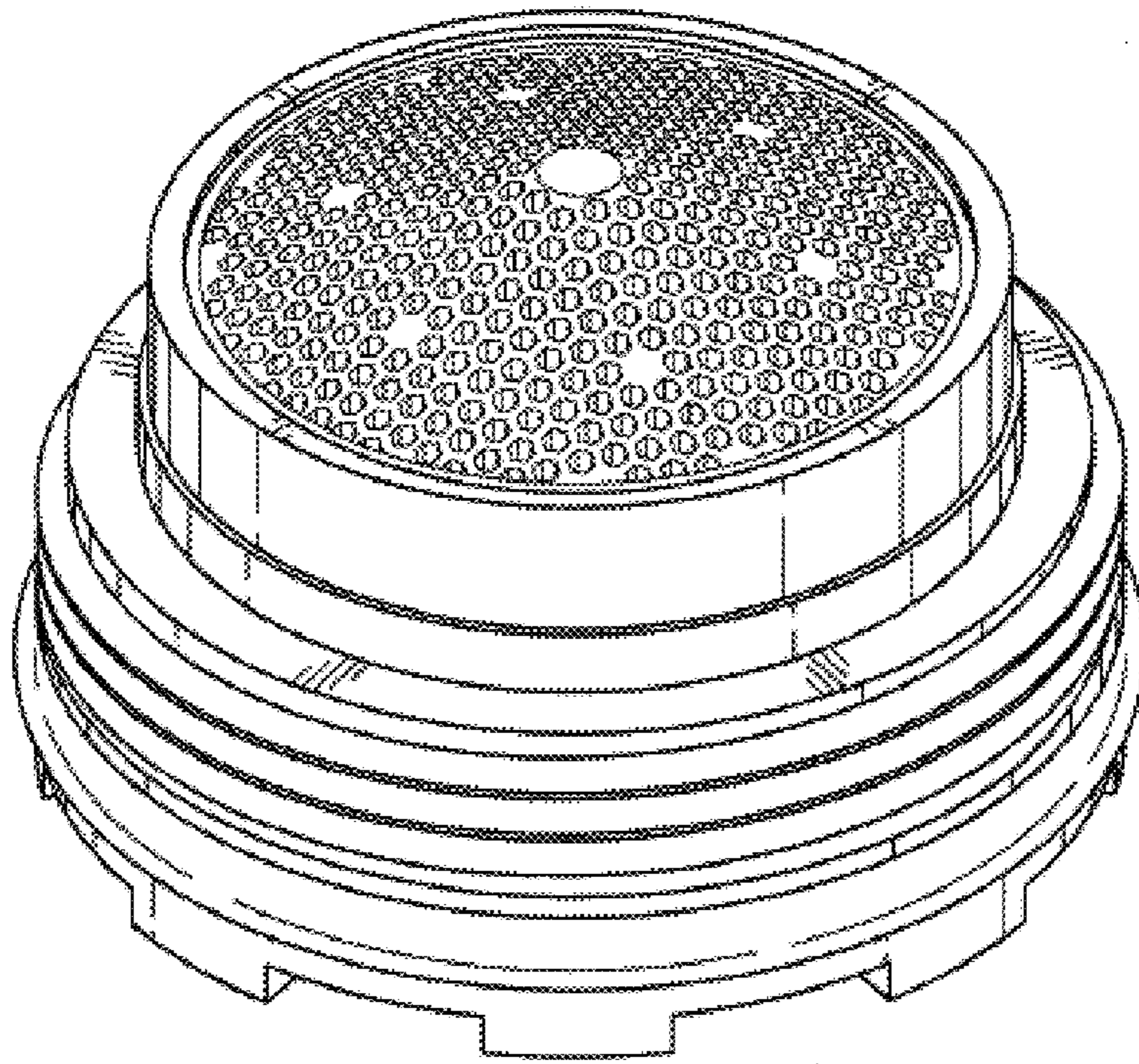


Fig. 7

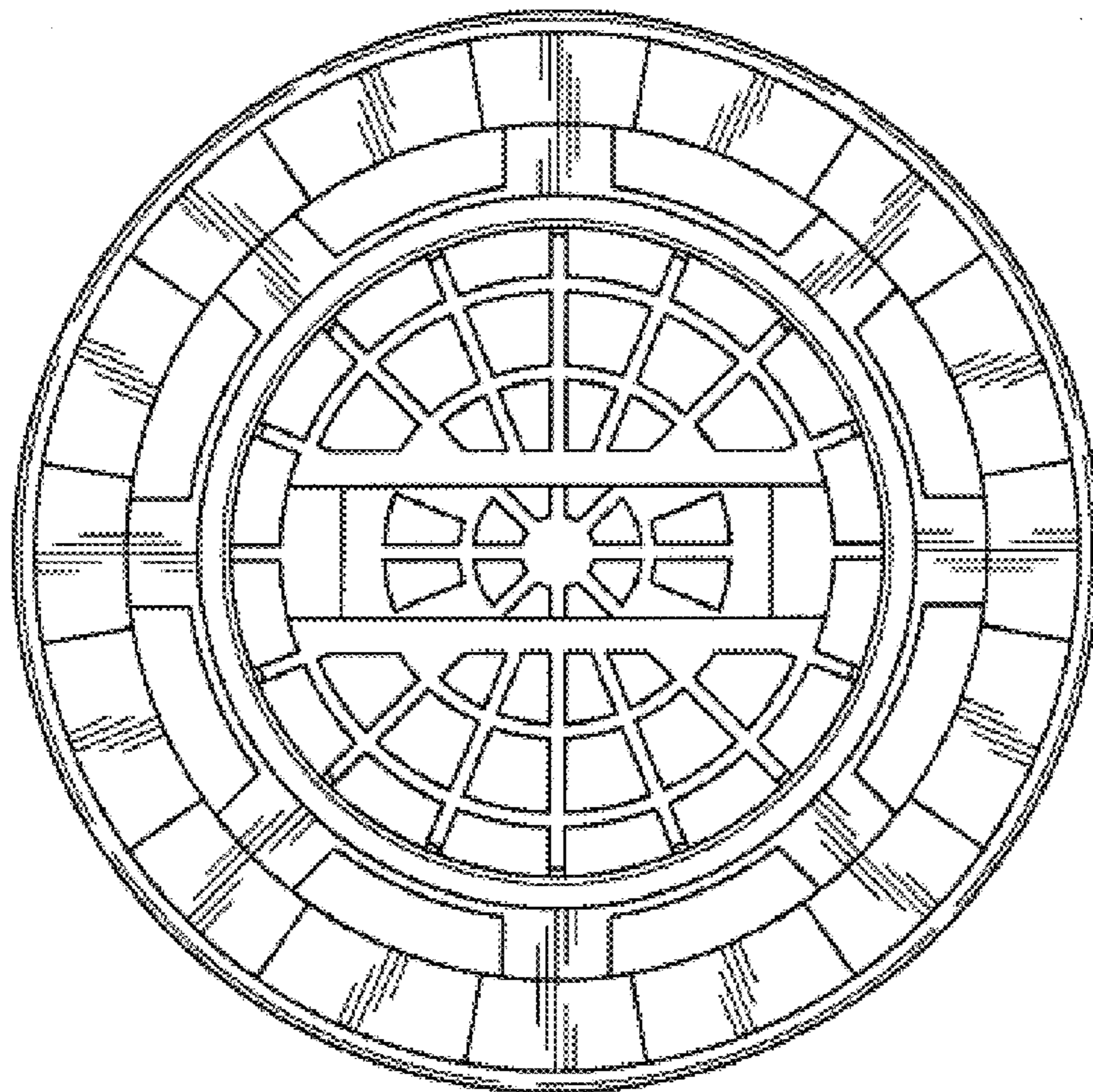


Fig. 8

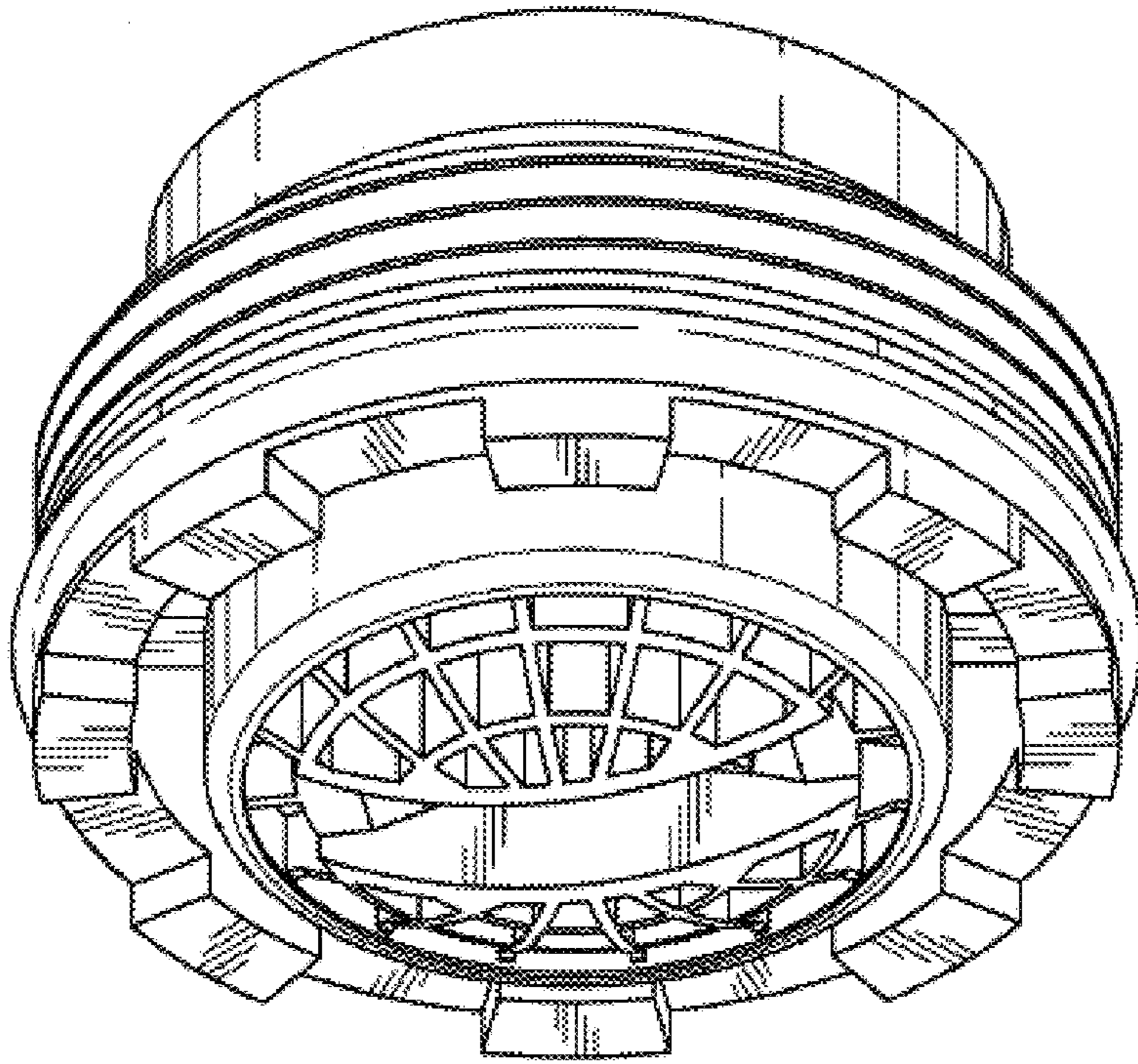


Fig. 9

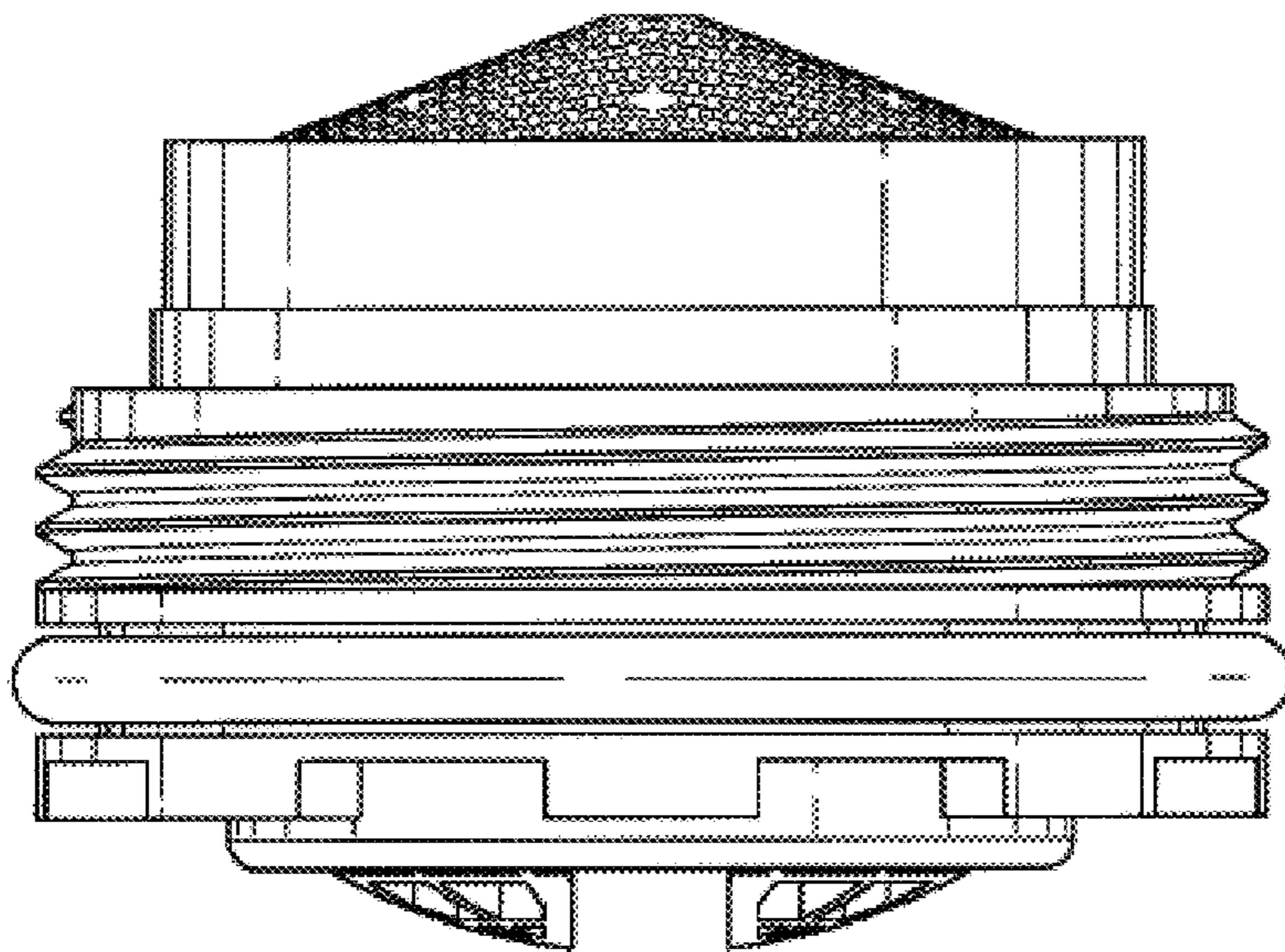


Fig. 10

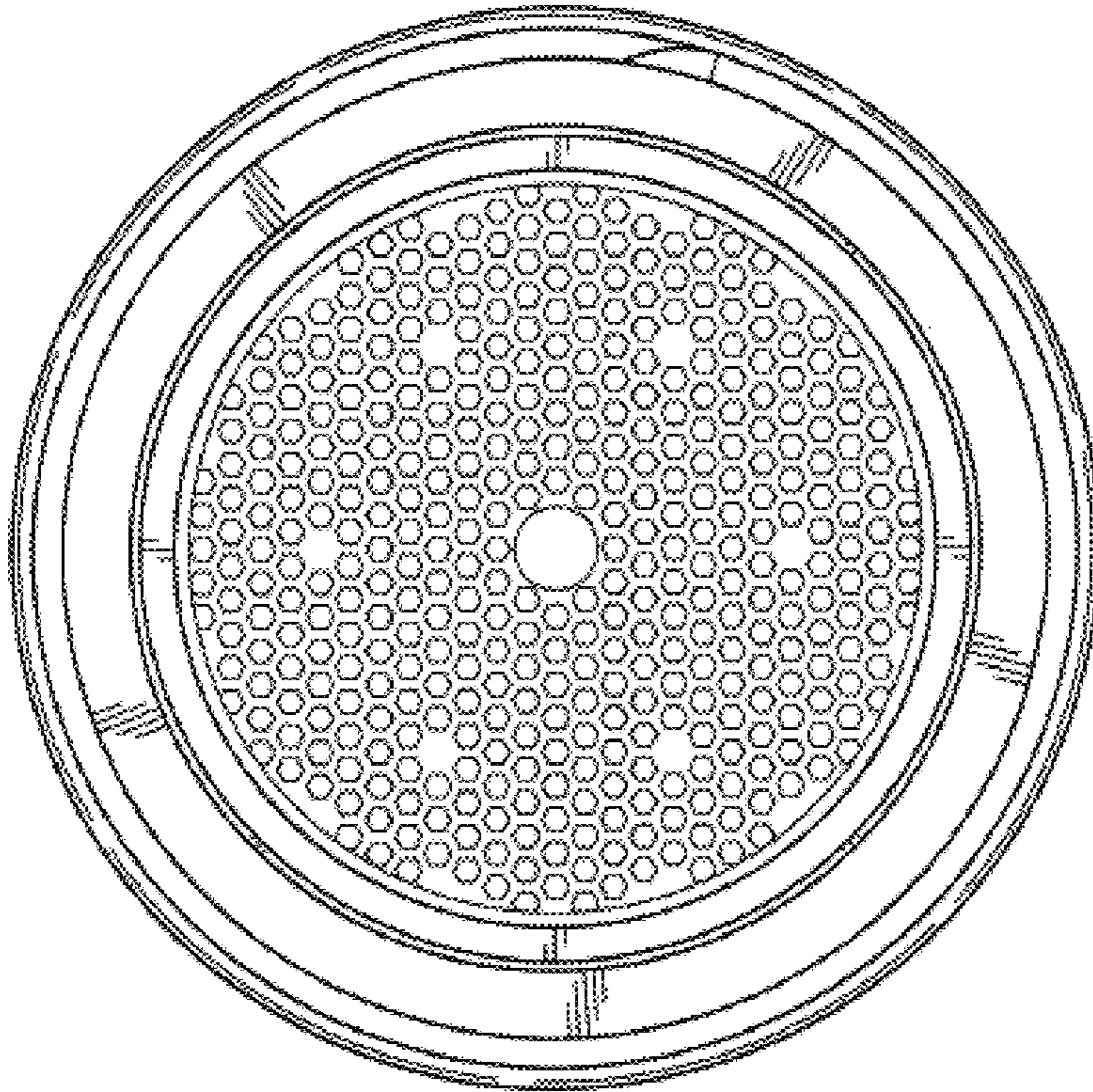


Fig. 11

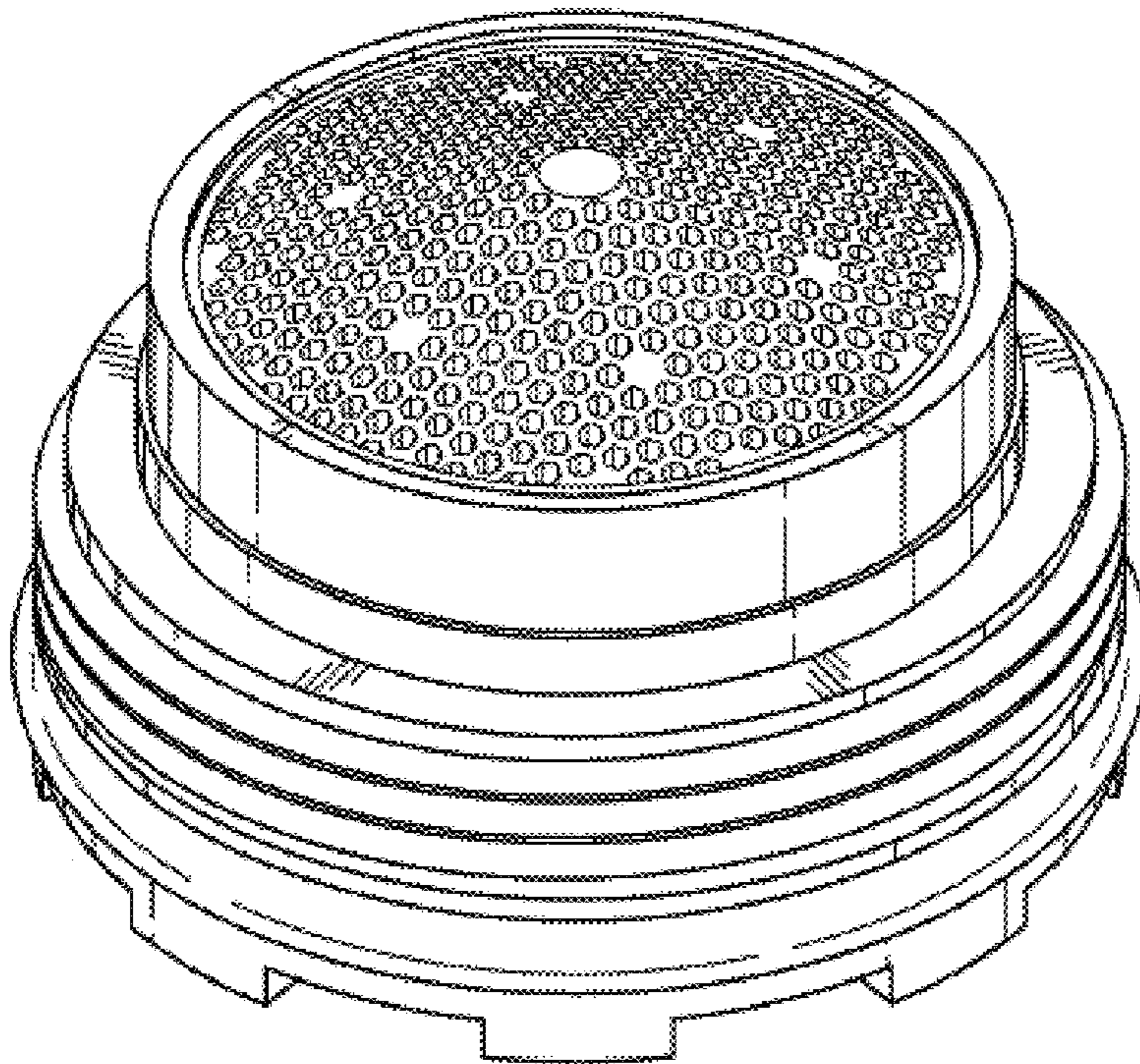


Fig. 12

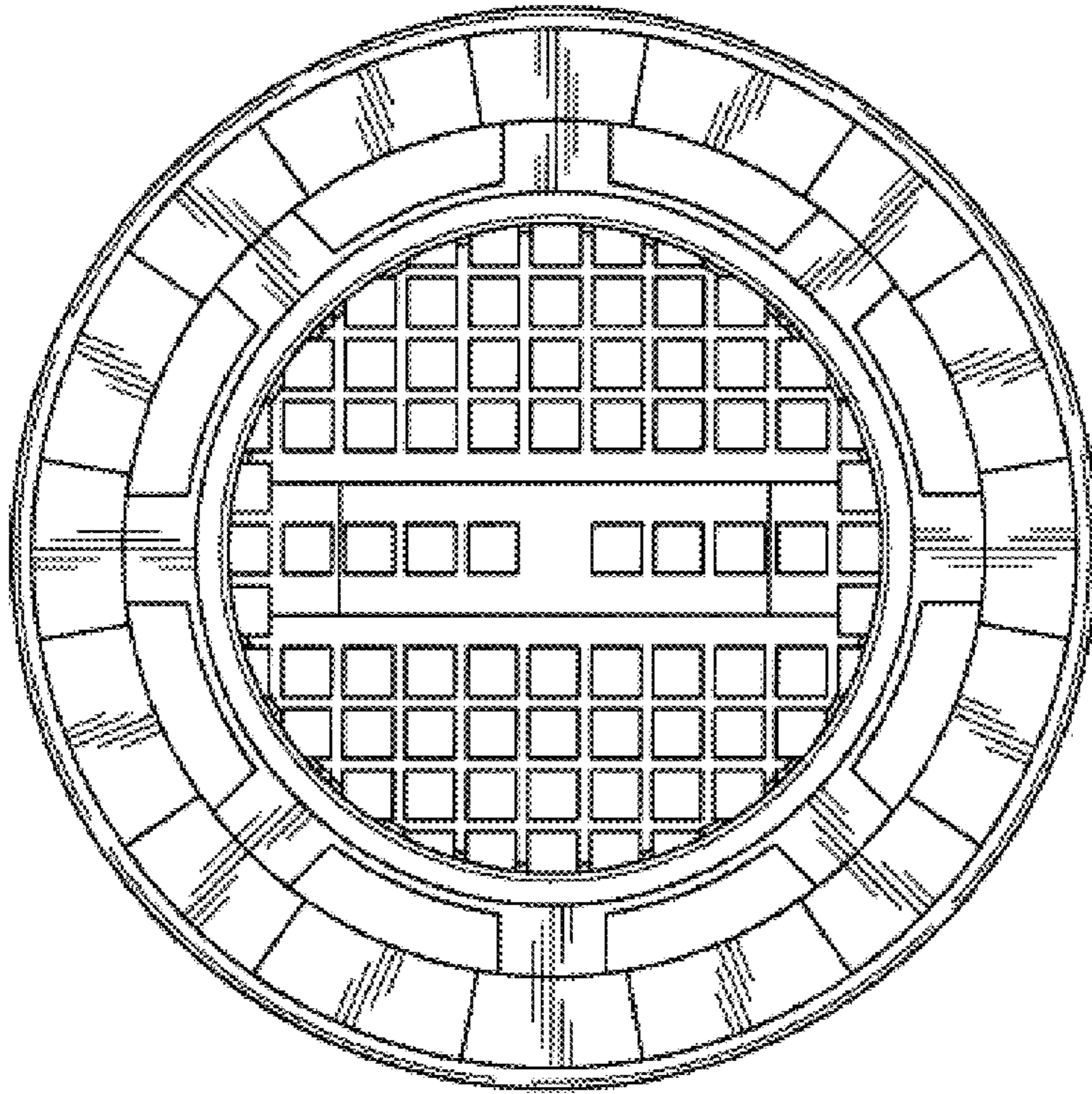


Fig. 13

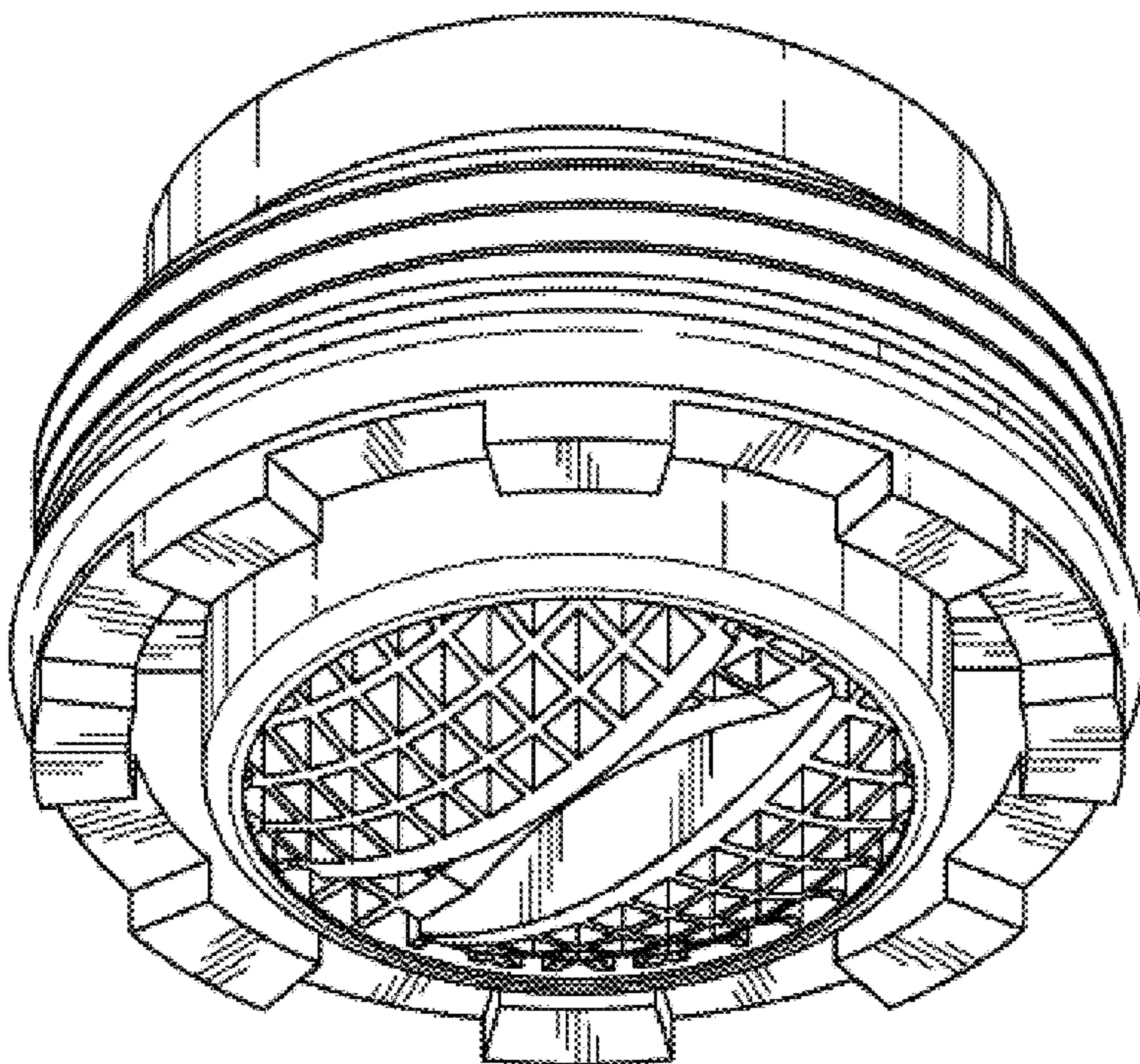


Fig. 14

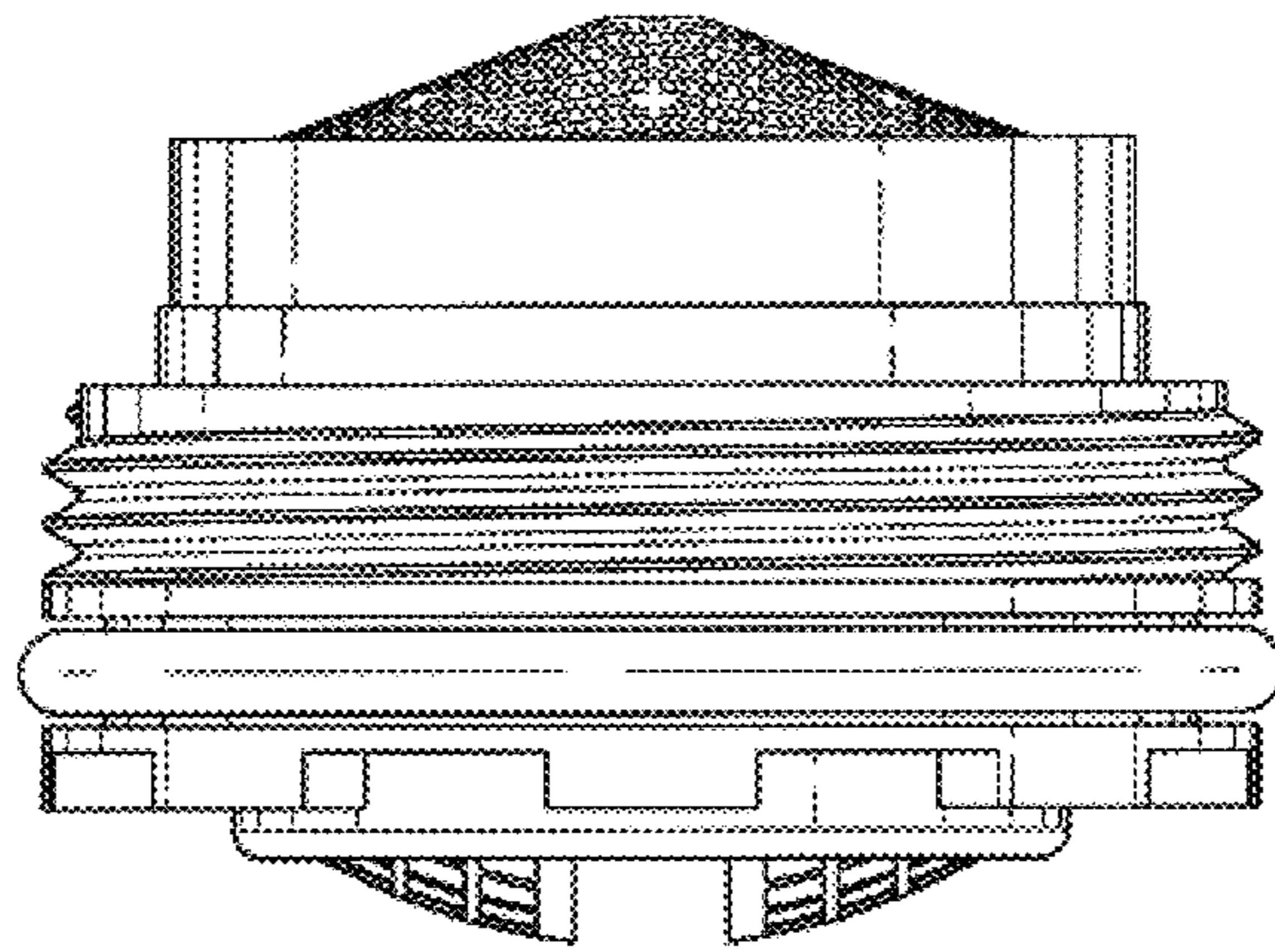


Fig. 15