



US00D791920S

(12) **United States Design Patent**  
**Fritz**

(10) **Patent No.:** **US D791,920 S**

(45) **Date of Patent:** **\*\* Jul. 11, 2017**

(54) **FAUCET**

D646,365 S \* 10/2011 Parekh ..... D23/290  
D694,369 S \* 11/2013 Mendoza ..... D23/242  
D755,932 S \* 5/2016 Fritz ..... D23/242

(71) Applicant: **DELTA FAUCET COMPANY,**  
Indianapolis, IN (US)

\* cited by examiner

(72) Inventor: **Seth Fritz,** Carmel, IN (US)

*Primary Examiner* — Robert Delehanty

(73) Assignee: **DELTA FAUCET COMPANY,**  
Indianapolis, IN (US)

(74) *Attorney, Agent, or Firm* — Edgar A. Zarins; Nirav  
D. Parikh

(\*\*) Term: **15 Years**

(57) **CLAIM**

(21) Appl. No.: **29/554,940**

The ornamental design for a faucet, as shown and described.

(22) Filed: **Feb. 17, 2016**

(51) **LOC (10) Cl.** ..... **23-01**

(52) **U.S. Cl.**  
USPC ..... **D23/242**

**DESCRIPTION**

(58) **Field of Classification Search**  
USPC ..... D23/238–243, 249–250, 252, 254–255,  
D23/257  
CPC . E03C 1/00; E03C 1/0404; E03C 1/02; E03C  
1/021; E03C 1/0401; E03C 1/04; E03C  
1/0402  
See application file for complete search history.

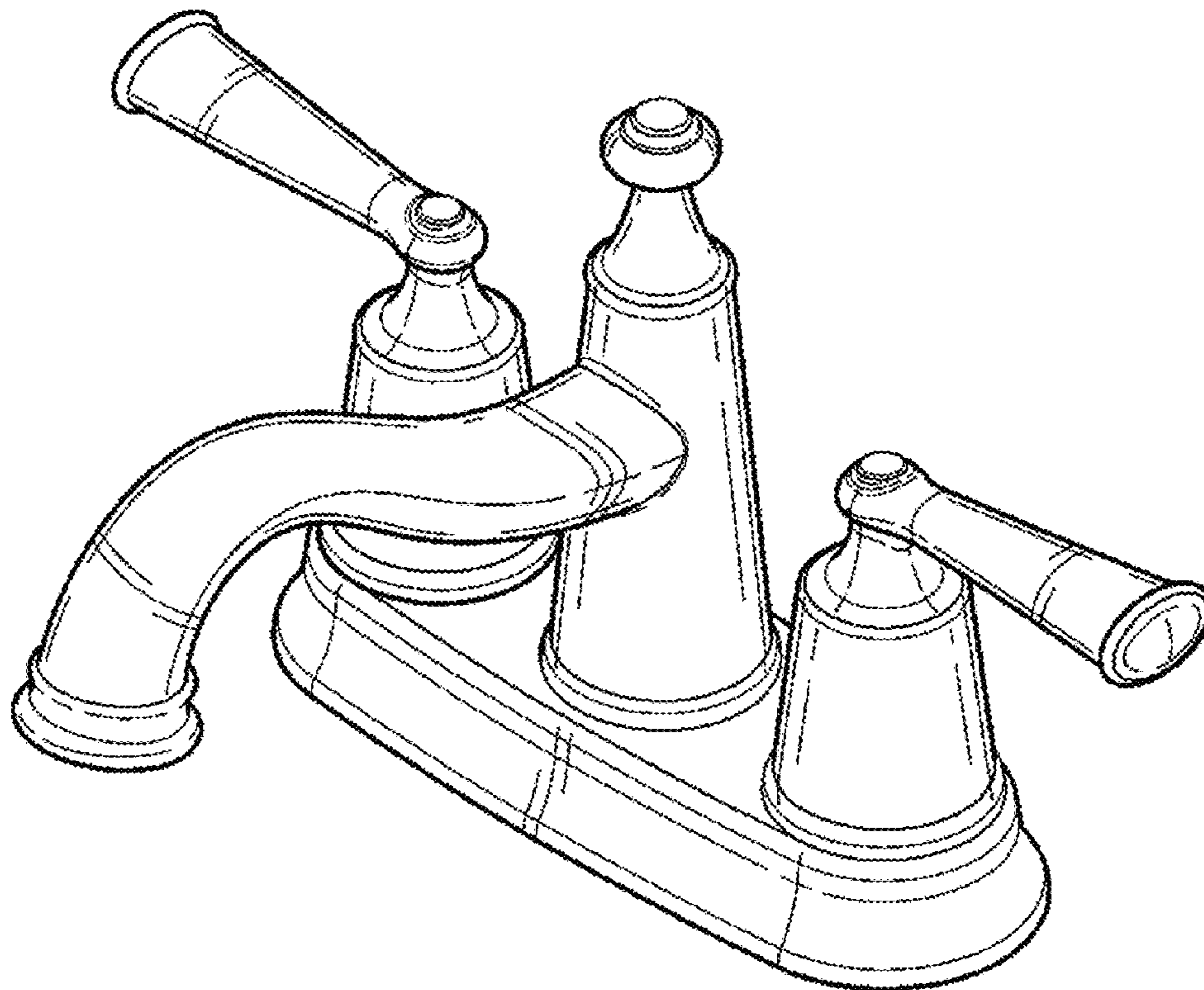
FIG. 1 is a perspective view of a faucet showing my new design;  
FIG. 2 is a front elevational view thereof;  
FIG. 3 is a right side view thereof, the opposite side being a mirror image of the side shown;  
FIG. 4 is a rear view thereof;  
FIG. 5 is a top plan view thereof; and,  
FIG. 6 is a bottom view thereof.  
The broken lines shown in FIG. 6 of the drawings are included for the purpose of illustrating a portion of the faucet that form no part of the claimed design.

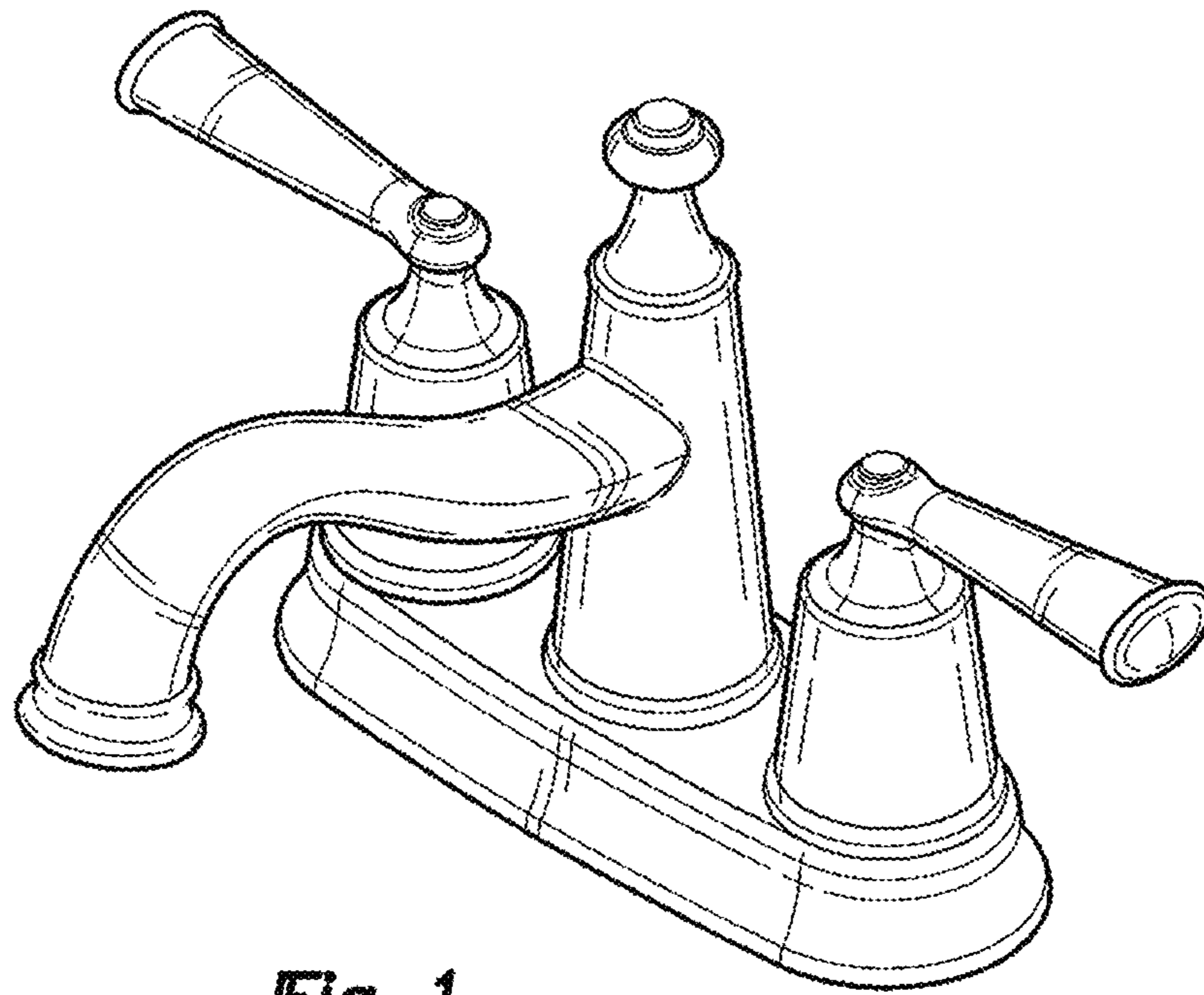
(56) **References Cited**

**U.S. PATENT DOCUMENTS**

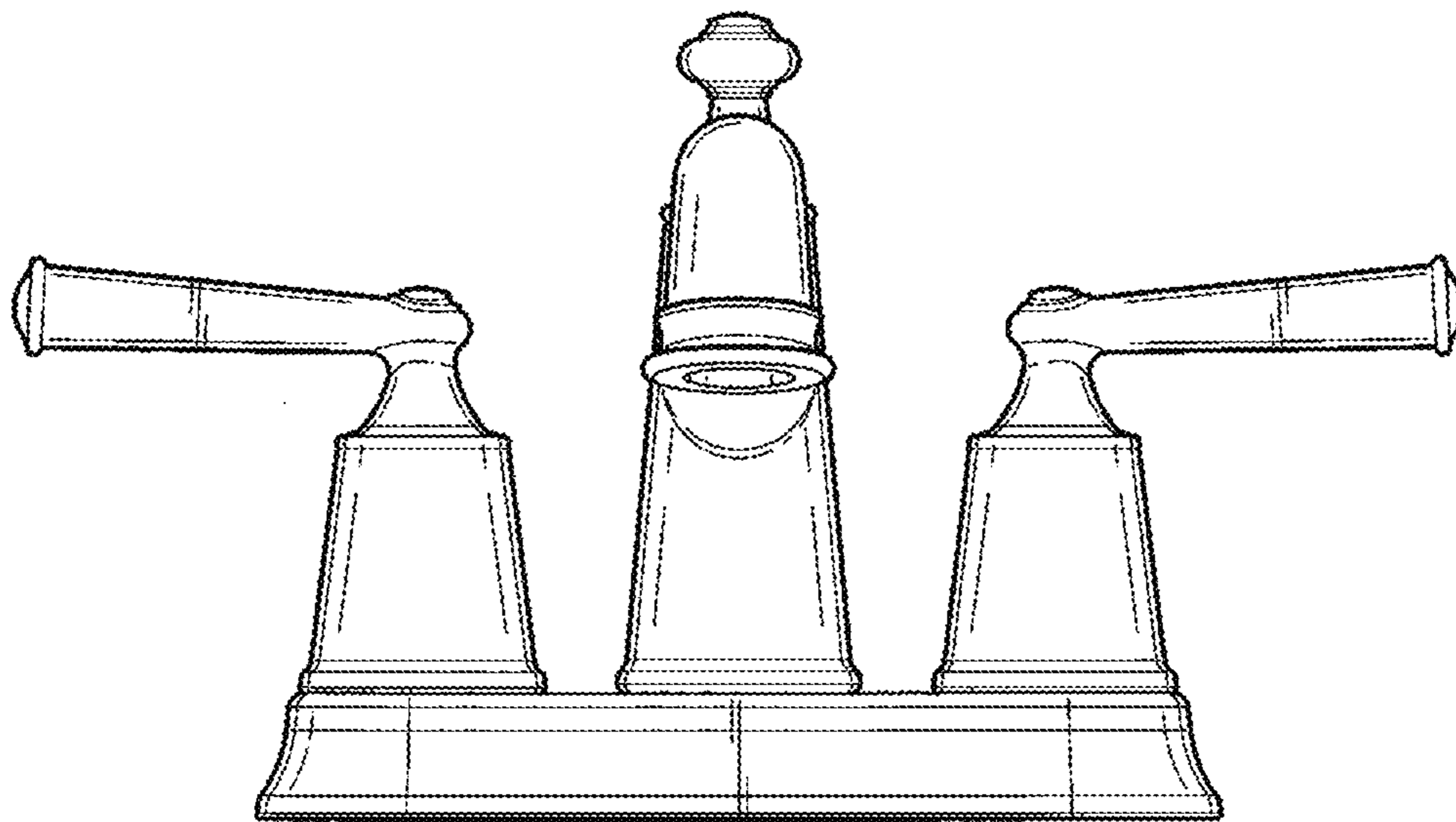
**1 Claim, 3 Drawing Sheets**

D622,817 S \* 8/2010 Painter ..... D23/242

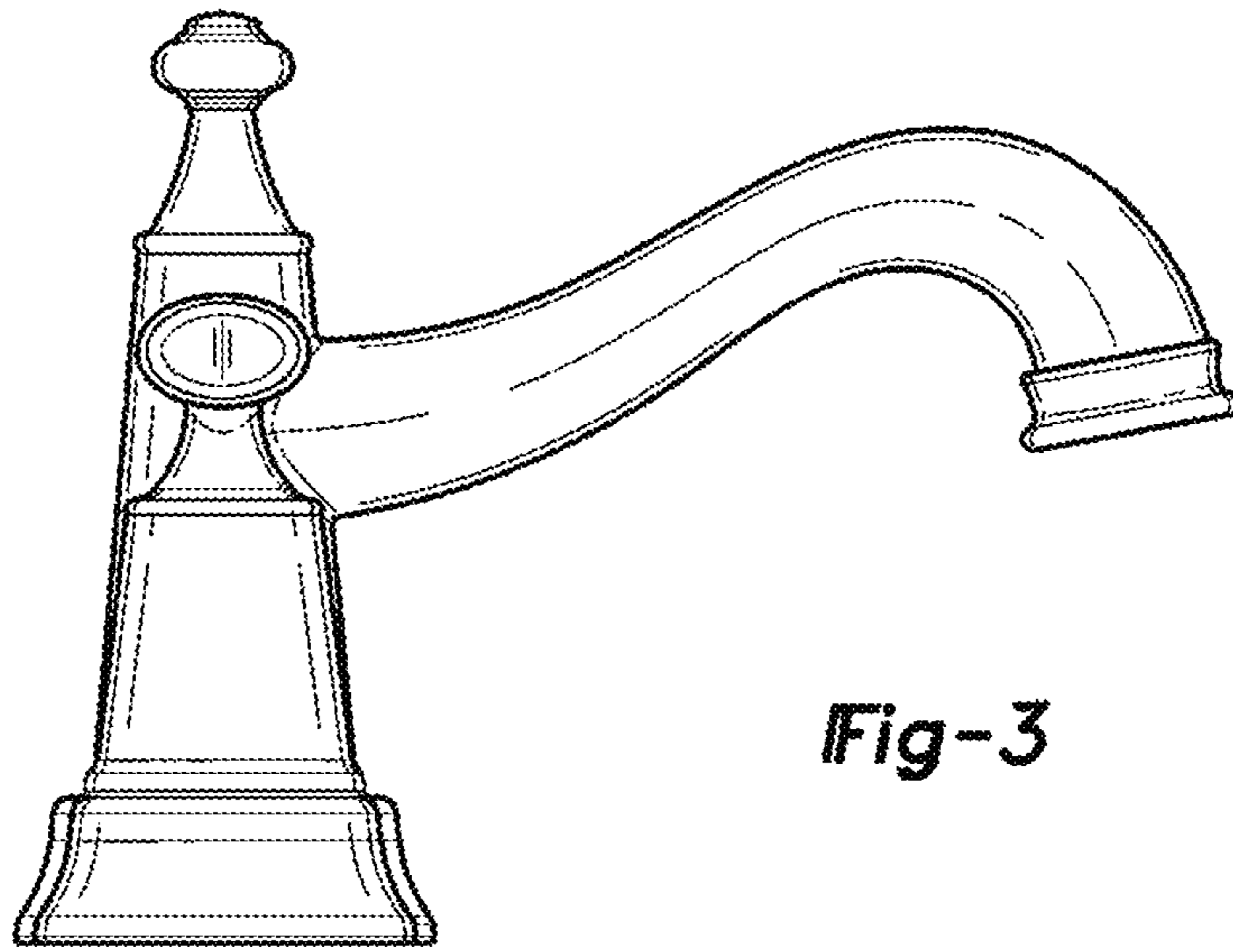




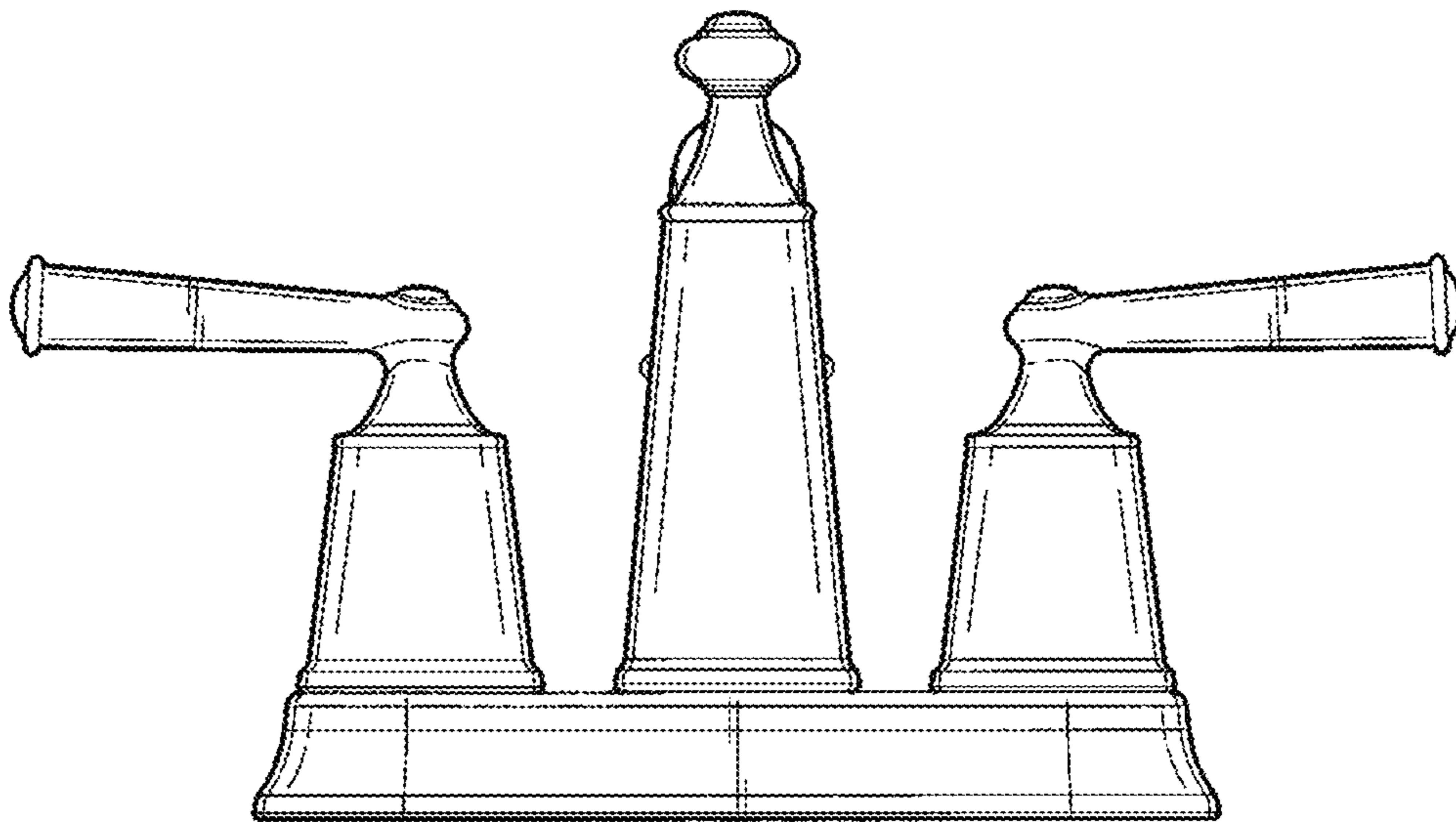
**Fig-1**



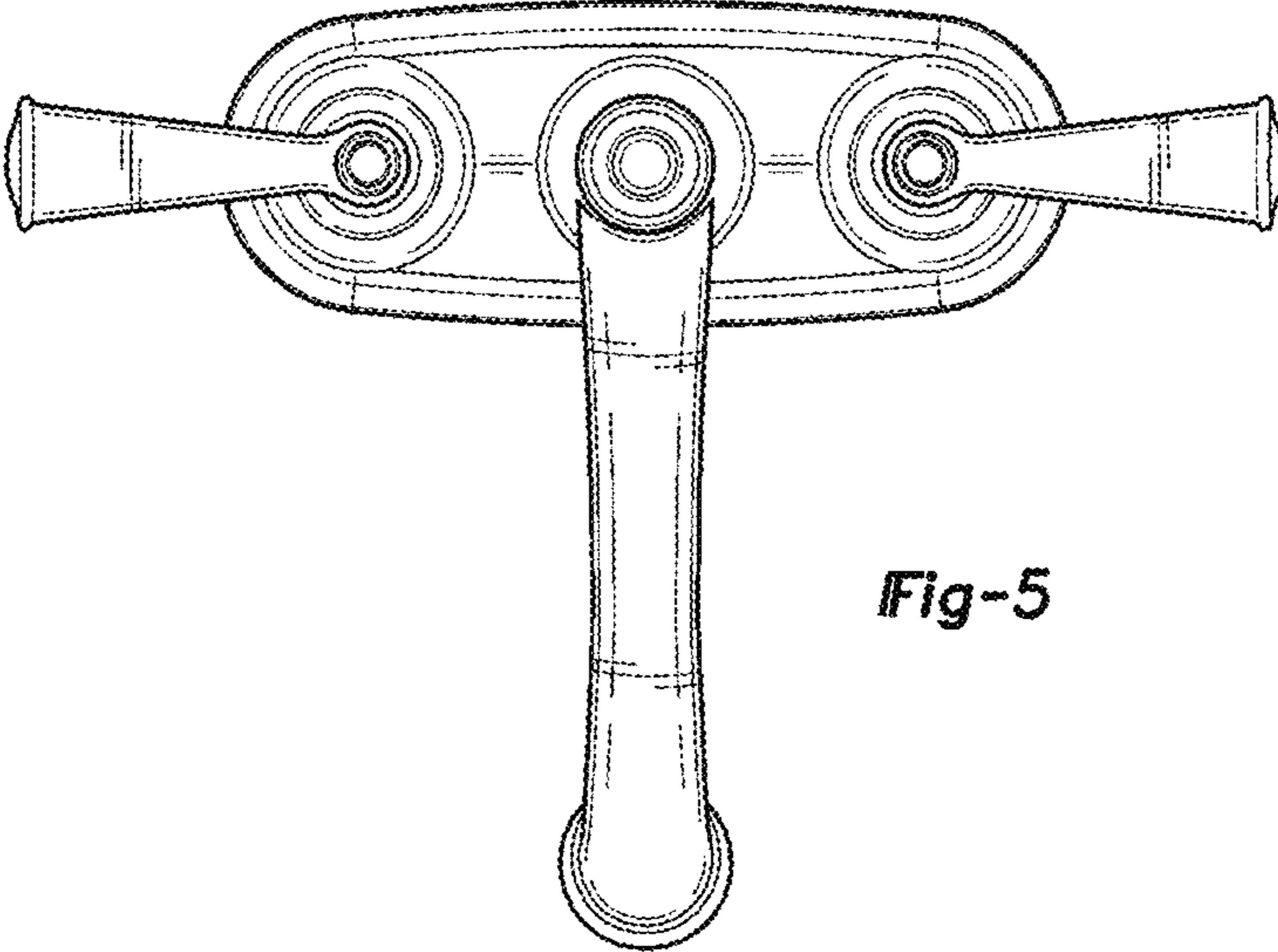
**Fig-2**



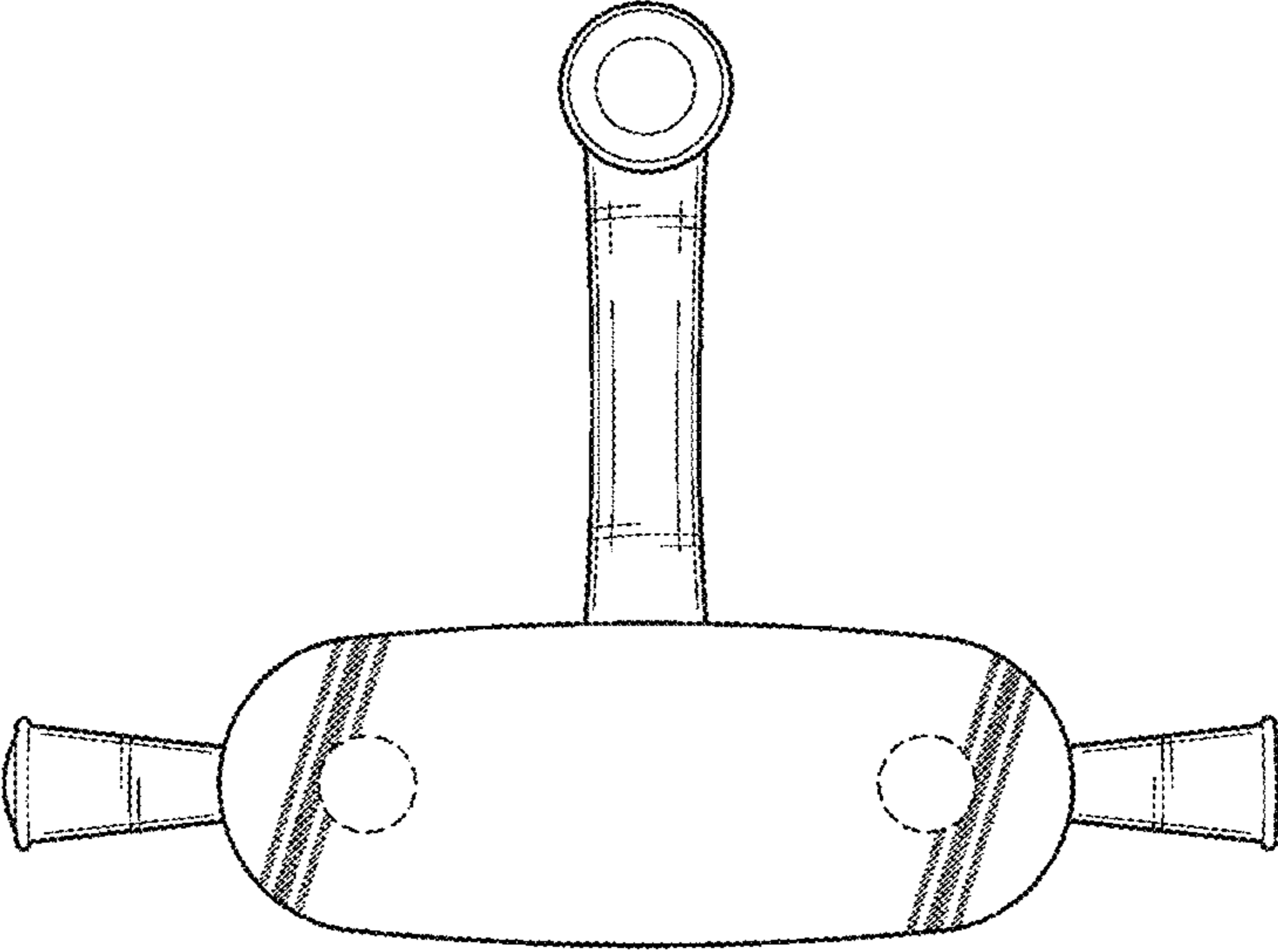
*Fig-3*



*Fig-4*



*Fig-5*



*Fig-6*