



US00D791919S

(12) **United States Design Patent** (10) **Patent No.:** **US D791,919 S**
Schoenherr et al. (45) **Date of Patent:** **** *Jul. 11, 2017**

(54) **WALL MOUNTED FAUCET**
(71) Applicant: **Hansgrohe SE**, Schiltach (DE)
(72) Inventors: **Tom Schoenherr**, Stuttgart (DE);
Andreas Diefenbach,
Ludwigsburg-Oßweil (DE)
(73) Assignee: **Hansgrohe SE**, Schiltach (DE)

D617,425 S *	6/2010	Lammel	D23/255
D639,912 S *	6/2011	Schoenherr	D23/252
D647,179 S *	10/2011	Flowers	D23/255
D692,107 S *	10/2013	Yu	D23/241
D704,304 S *	5/2014	Schoenherr	D23/238
D757,223 S *	5/2016	Schoenherr	D23/238
D757,225 S *	5/2016	Schoenherr	D23/252
D757,903 S *	5/2016	Schoenherr	D23/238
D762,820 S *	8/2016	Schoenherr	D23/238
D767,733 S *	9/2016	Hong	D23/255

(*) Notice: This patent is subject to a terminal disclaimer.
(**) Term: **15 Years**

FOREIGN PATENT DOCUMENTS

CN	302342486	3/2013
DE	40701257.5	4/2007
EM	000775804-0020	8/2007

(21) Appl. No.: **29/534,153**
(22) Filed: **Jul. 27, 2015**
(30) **Foreign Application Priority Data**

* cited by examiner

Primary Examiner — Robert Delehanty
(74) *Attorney, Agent, or Firm* — Lora J. Graentzdoerffer

Feb. 2, 2015 (EM) 002625244-0010
(51) **LOC (10) Cl.** **23-01**
(52) **U.S. Cl.**
USPC **D23/238**
(58) **Field of Classification Search**
USPC D23/238–242, 249–250, 252, 255, 257
CPC E03C 1/04; E03C 1/0401; E03C 1/0402;
E03C 1/0404; F16K 31/602; F16K
31/605; F16K 31/607
See application file for complete search history.

(57) **CLAIM**

The ornamental design for a wall mounted faucet, as shown and described.

(56) **References Cited**
U.S. PATENT DOCUMENTS
D457,941 S * 5/2002 Lobermeier D23/238
D493,210 S 7/2004 Citterio
D579,528 S * 10/2008 Citterio D23/252
D582,009 S * 12/2008 Citterio D23/238

DESCRIPTION

FIG. 1 is a perspective view of a wall mounted faucet showing our design;
FIG. 2 is a front elevation view;
FIG. 3 is a rear elevation view;
FIG. 4 is a right side elevation view;
FIG. 5 is a left side elevation view;
FIG. 6 is a top plan view; and,
FIG. 7 is a bottom plan view.
The broken-line disclosure in the views represents portions of the wall mounted faucet in which the claimed design is embodied, but which form no part of the claimed design.

1 Claim, 7 Drawing Sheets

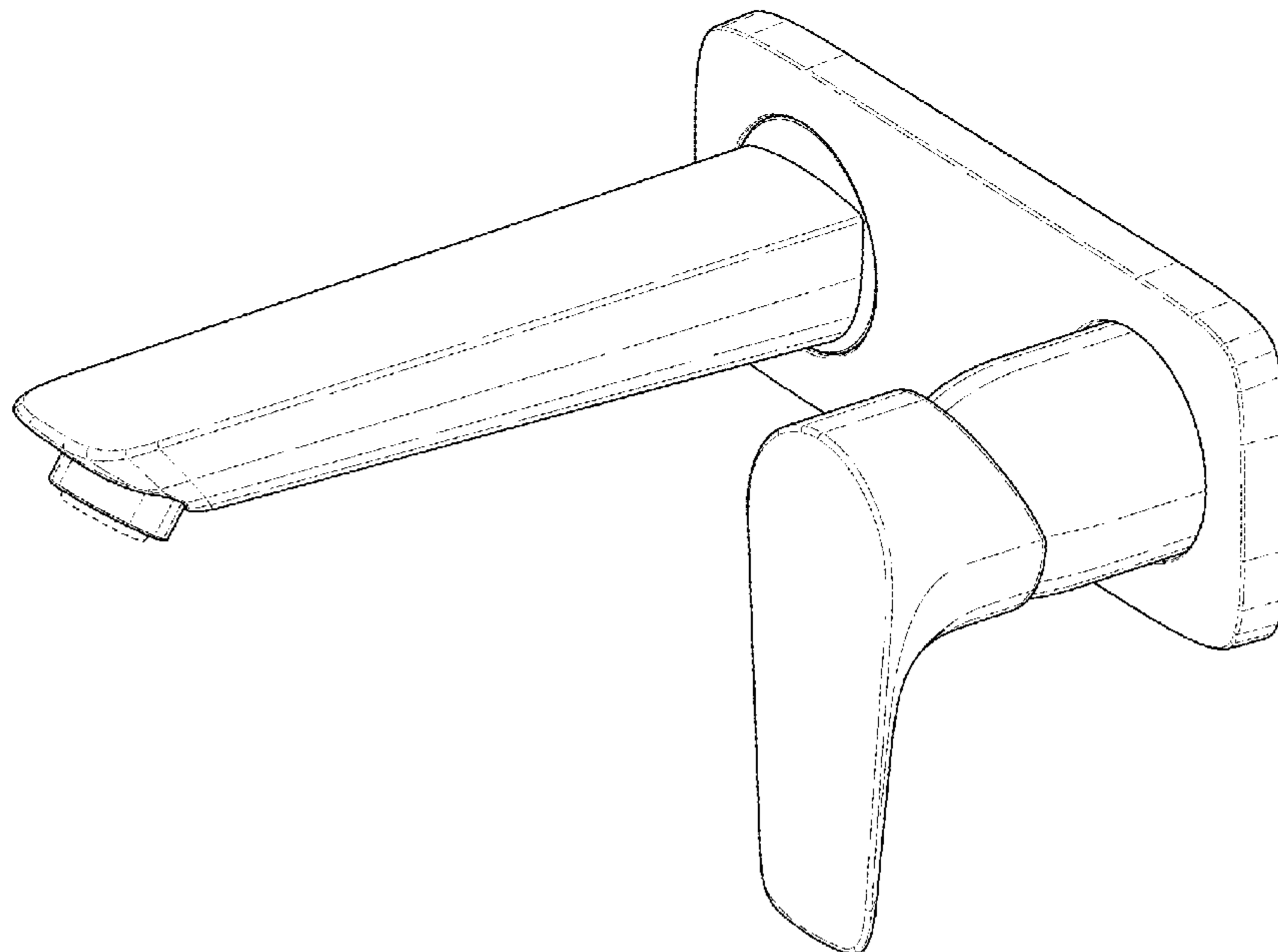


FIG. 1

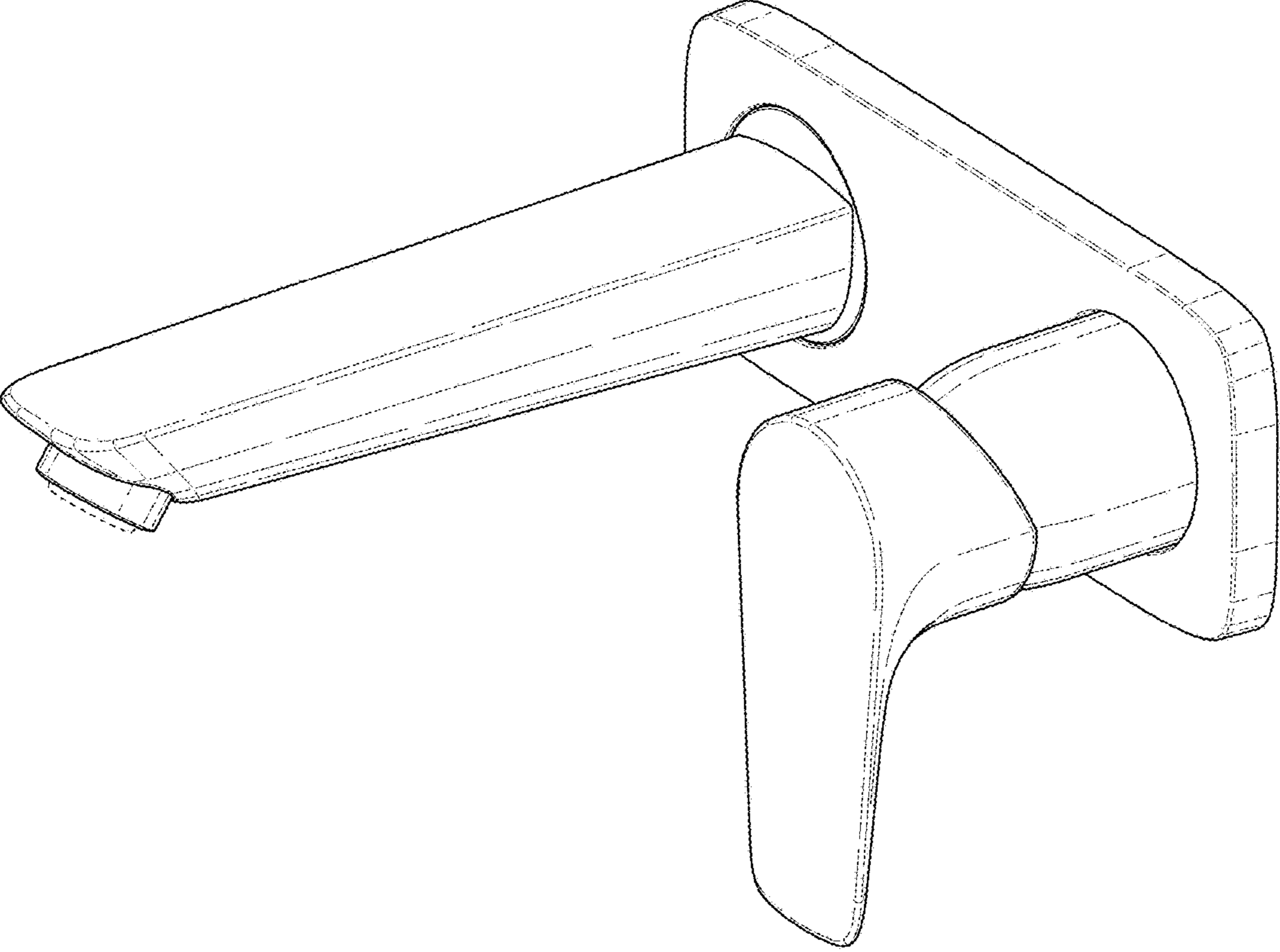


FIG. 2

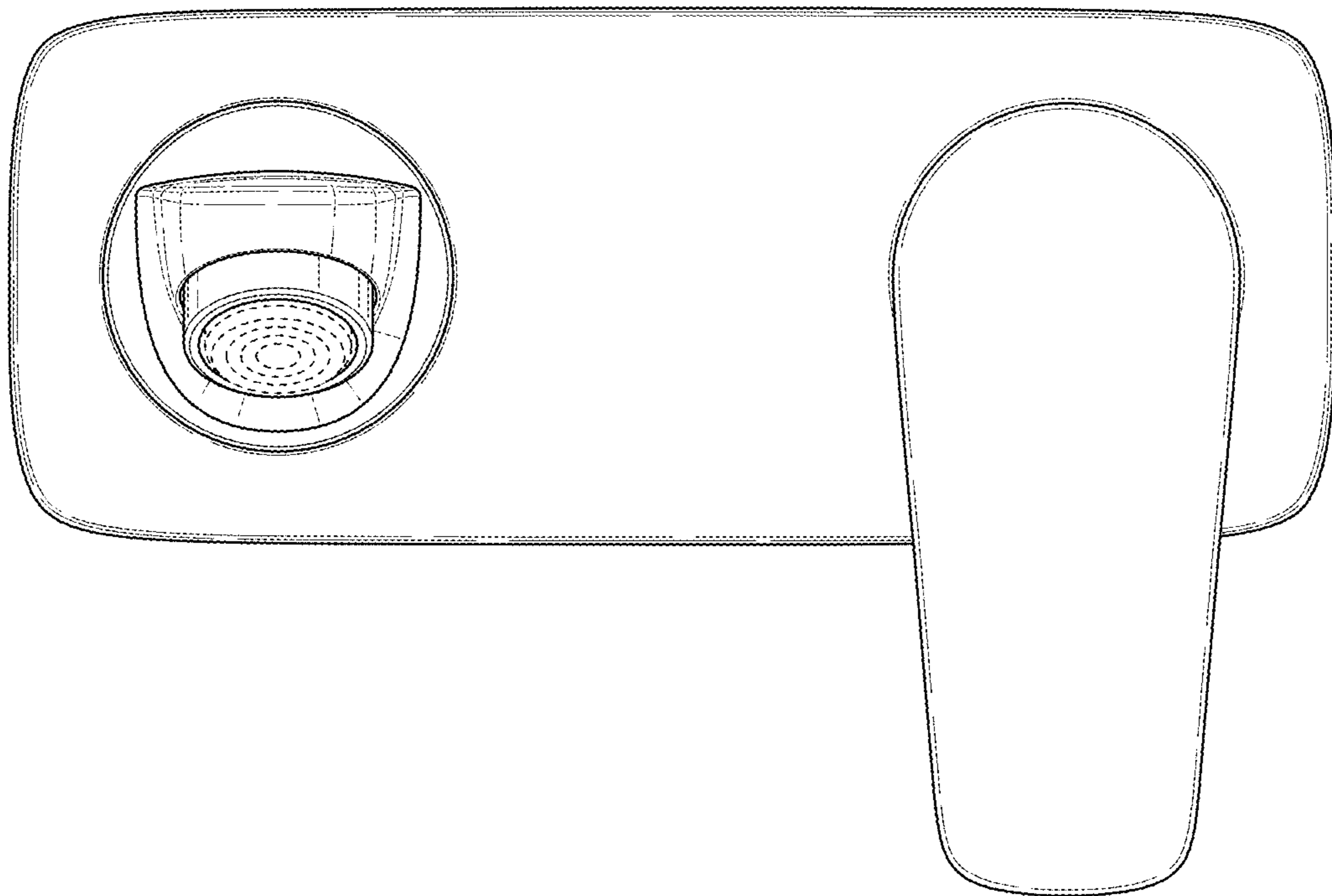


FIG. 3

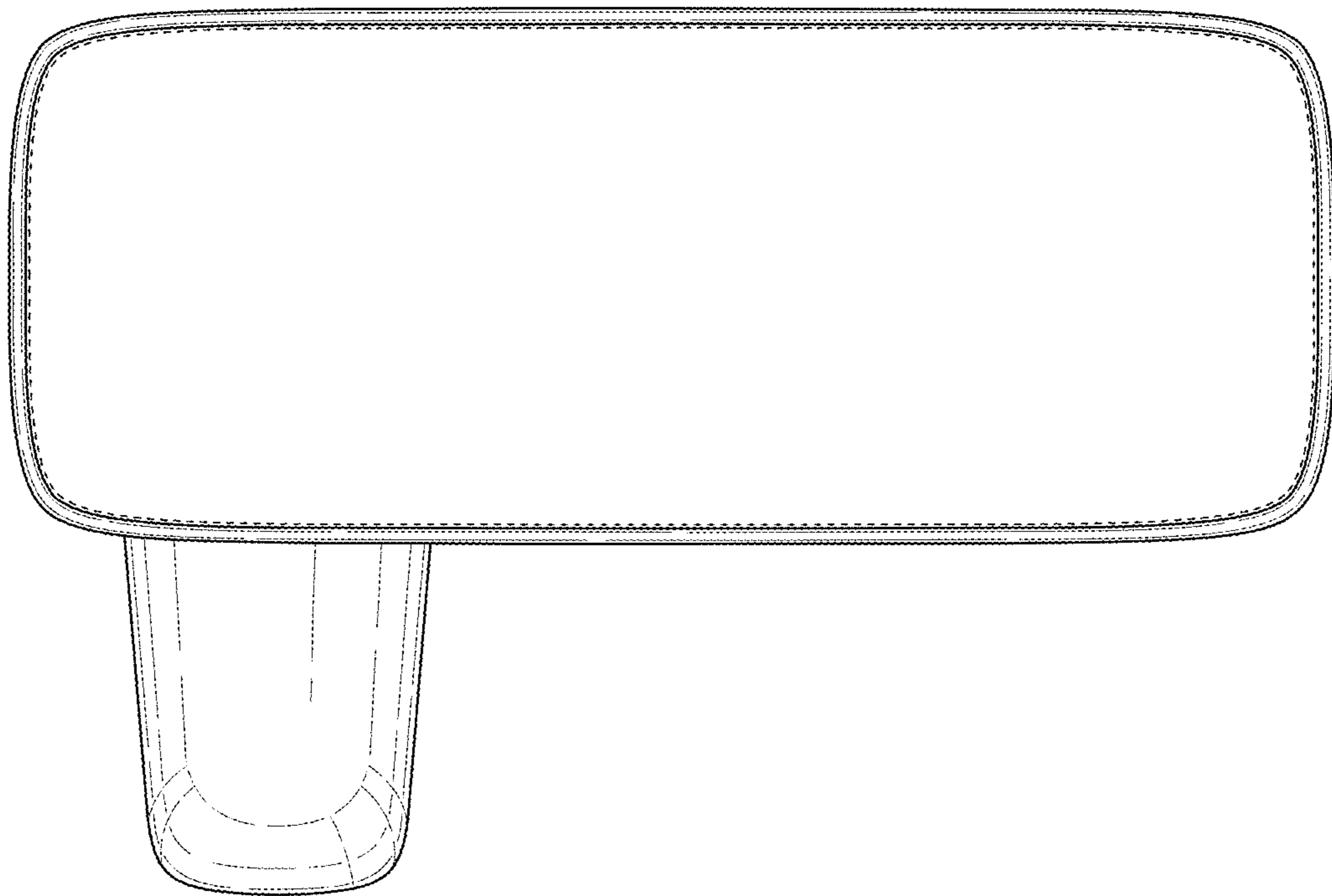


FIG. 4

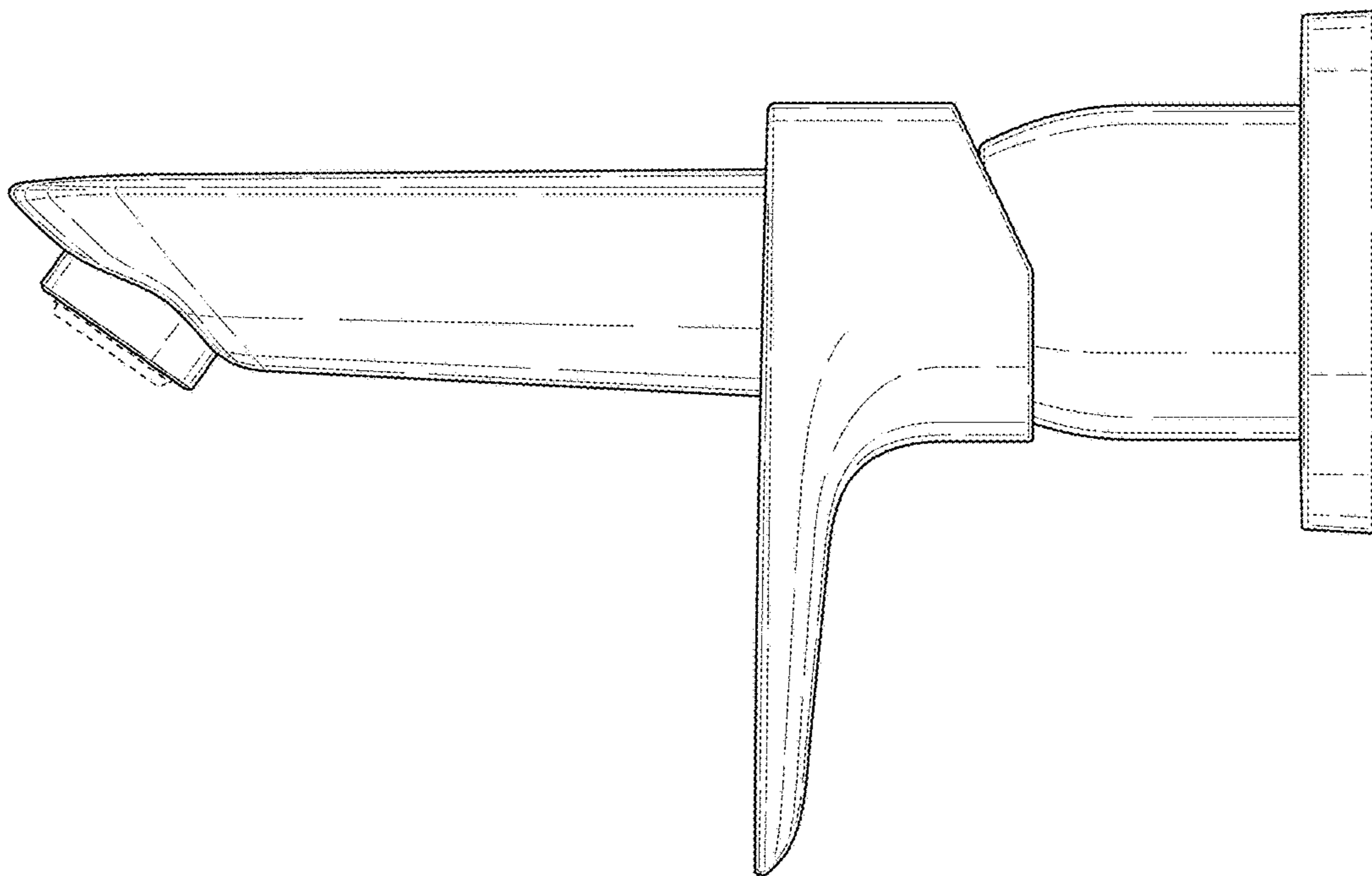


FIG. 5

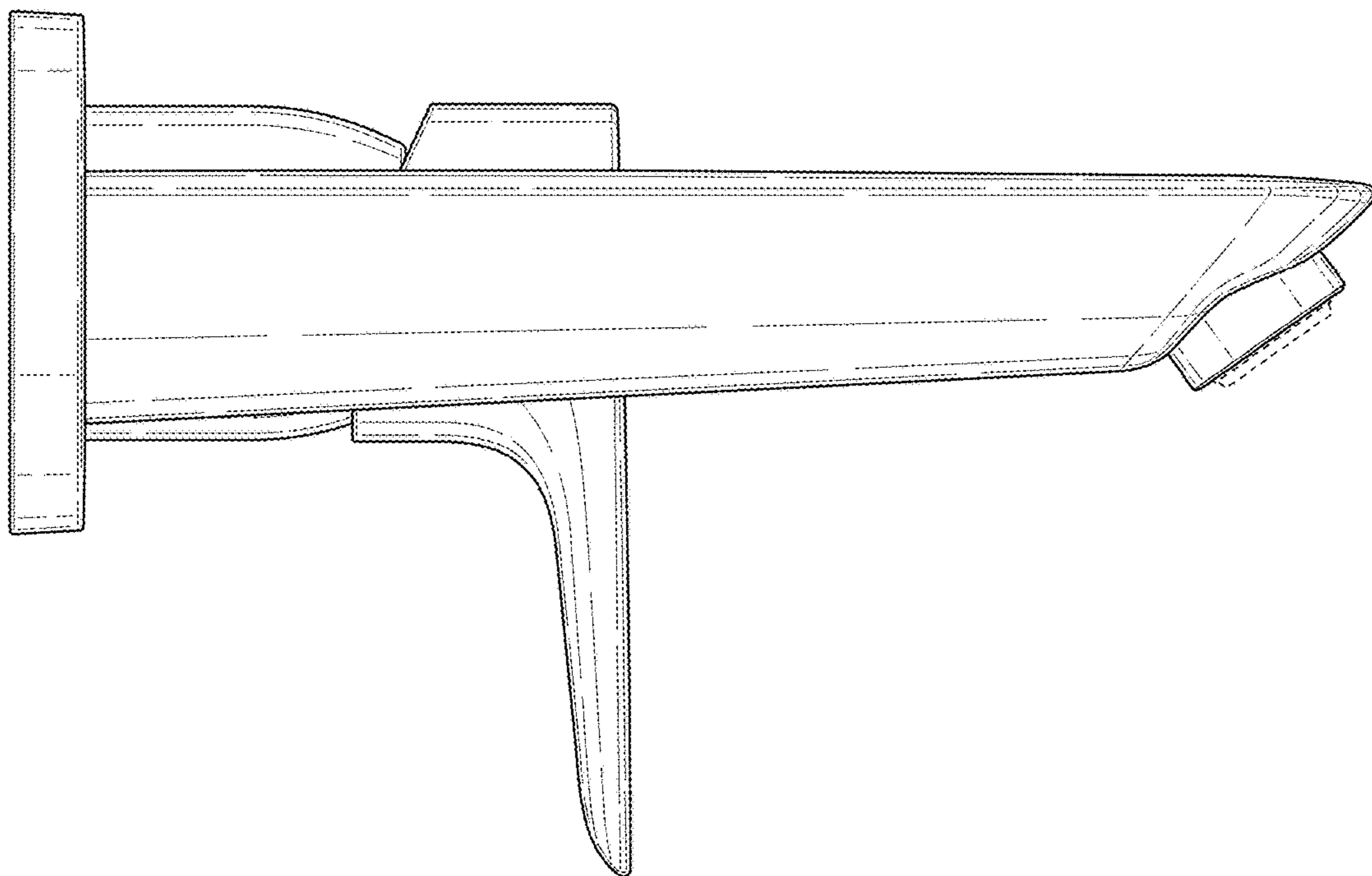


FIG. 6

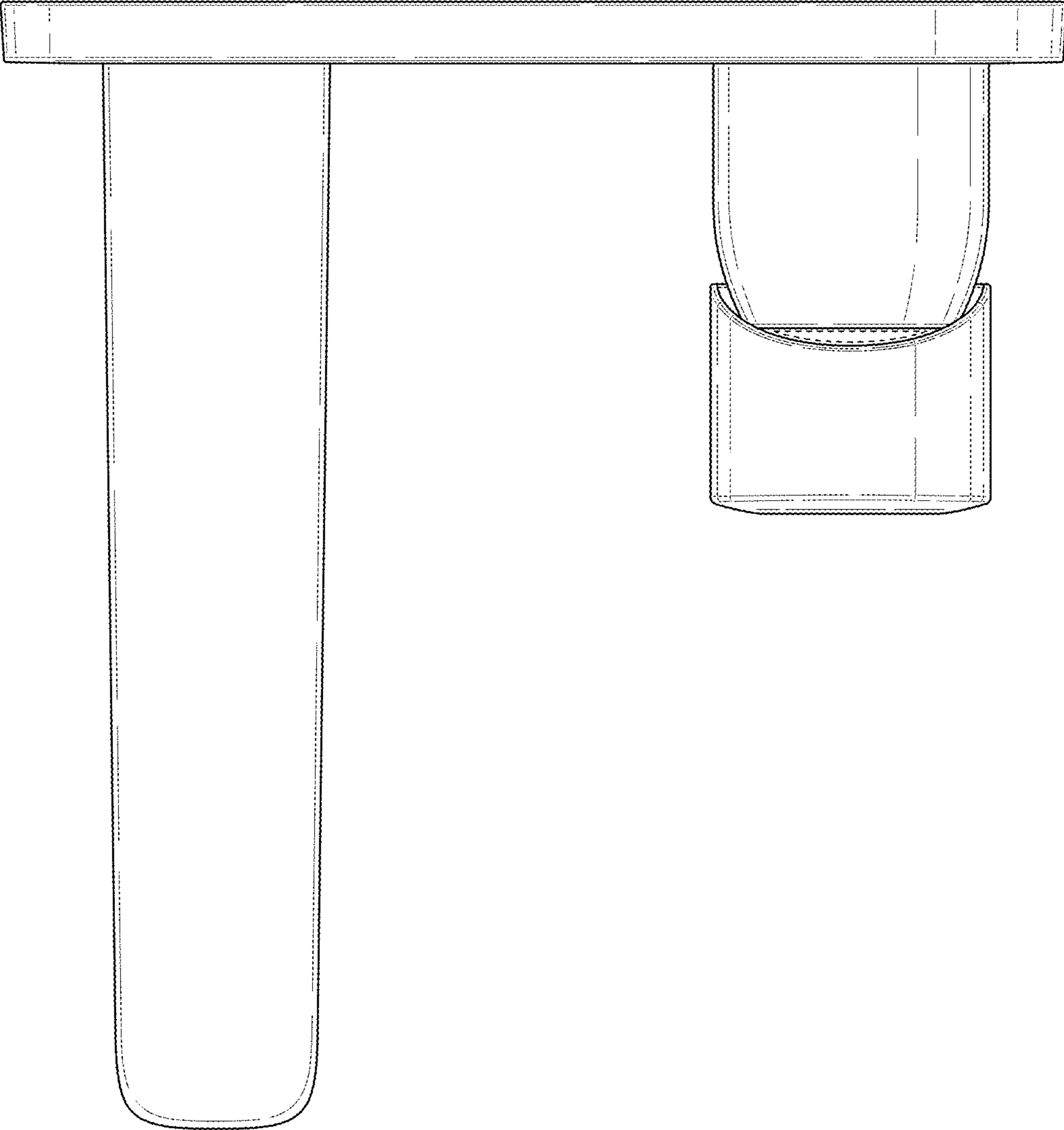


FIG. 7

