



US00D791916S

(12) **United States Design Patent**
Rose

(10) **Patent No.:** **US D791,916 S**
(45) **Date of Patent:** **** Jul. 11, 2017**

(54) **SPRAY GUN TRIGGER**

FOREIGN PATENT DOCUMENTS

(71) Applicant: **Robert J. Rose**, Richmond, VA (US)

WO 2014182170 11/2014
WO 2015137808 9/2015

(72) Inventor: **Robert J. Rose**, Richmond, VA (US)

(73) Assignee: **Worthen Industries**, Nashua, NH (US)

(**) Term: **15 Years**

(21) Appl. No.: **29/566,443**

(22) Filed: **May 31, 2016**

(51) **LOC (10) Cl.** **23-01**

(52) **U.S. Cl.**
USPC **D23/226**

(58) **Field of Classification Search**
USPC D23/232, 223, 226, 228, 213, 214, 221,
D23/224-225, 227, 229-230
CPC B05B 7/02; B05B 7/2478; B05B 15/0258;
B05B 15/005; B05B 9/01; A62C 31/28;
A62C 33/04

See application file for complete search history.

(56) **References Cited**

U.S. PATENT DOCUMENTS

- 2,629,516 A * 2/1953 Badham B05B 9/0838
222/113
- 4,239,157 A * 12/1980 Fasth B05B 9/01
239/121
- D258,677 S * 3/1981 Larsson D23/223
- 4,449,696 A * 5/1984 Hengesbach B05B 1/32
137/343
- 4,695,618 A 9/1987 Mowrer
- 5,118,080 A * 6/1992 Hartmann B05B 1/30
239/526
- 5,160,092 A * 11/1992 Rose B05B 15/00
239/288
- 5,236,129 A * 8/1993 Grime B05B 7/0081
239/289

(Continued)

OTHER PUBLICATIONS

Industrial Hydraulic Spray Products, Spraying Systems Co., 2013,
pp. A3 & C24.

(Continued)

Primary Examiner — Robin V Webster

Assistant Examiner — Rachel Voorhies

(74) *Attorney, Agent, or Firm* — Lambert & Associates;
Gary E. Lambert; David J. Connaughton, Jr.

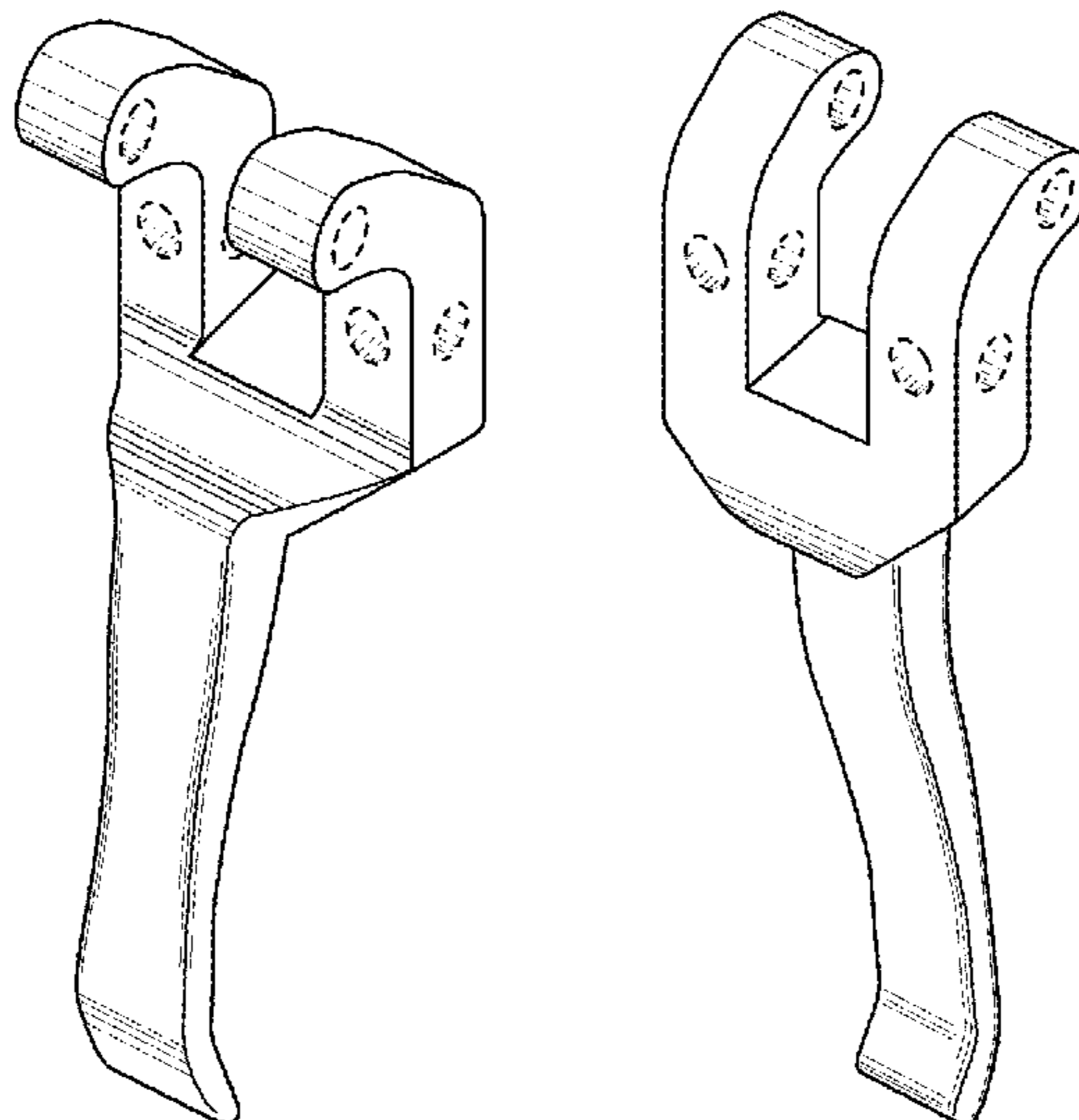
(57) **CLAIM**

The ornamental design for a spray gun trigger, as shown and
described.

DESCRIPTION

FIG. 1 is a perspective front view of the spray gun trigger,
which embodies my design;
FIG. 2 is a perspective rear view thereof;
FIG. 3 is a bottom view thereof;
FIG. 4 is a top view thereof;
FIG. 5 is a rear view thereof;
FIG. 6 is a front view thereof;
FIG. 7 is a left side view thereof;
FIG. 8 is a right side view thereof;
FIG. 9 is a perspective view thereof mounted on a spray gun;
and,
FIG. 10 is a side view thereof mounted on a spray gun.
The broken lines in FIGS. 1-8 illustrate portions of the spray
gun trigger that form no part of the claimed design. The
broken lines on the spray gun trigger in FIGS. 9 and 10
illustrate portions that form no part of the claimed design;
the broken line showing of the spray gun in FIGS. 9 and 10
illustrates the environment of the claimed design and forms
no part thereof.

1 Claim, 4 Drawing Sheets



(56)

References Cited

U.S. PATENT DOCUMENTS

5,284,301 A * 2/1994 Kieffer B05B 12/002
239/528
D376,318 S * 12/1996 Hildebrand D23/226
5,699,968 A * 12/1997 Hung B05B 9/01
239/526
5,733,961 A 3/1998 Purvis
5,740,968 A * 4/1998 Mueller B05B 1/3046
239/526
5,791,564 A * 8/1998 Carra B05B 9/01
239/526
5,984,207 A * 11/1999 Wang B05B 1/3013
239/526
6,415,958 B1 * 7/2002 Donley B05B 12/00
222/146.5
6,533,187 B2 3/2003 May
D504,493 S * 4/2005 Huang D23/226
D505,072 S * 5/2005 Turnbull D9/448
D538,393 S * 3/2007 Chung D23/223
7,216,816 B2 5/2007 Hammarth
D549,077 S * 8/2007 Yajima D23/223
D562,435 S * 2/2008 Turnbull D23/226

8,118,969 B2 2/2012 Williams
8,720,801 B2 * 5/2014 Kinoshita B05B 7/1209
239/424.5
9,174,226 B2 * 11/2015 Su B05B 1/1645
9,427,758 B2 * 8/2016 Kosaka B05B 9/01
D786,402 S * 5/2017 Rose D23/226
2006/0069196 A1 3/2006 Grabowski
2007/0224395 A1 9/2007 Rowitsch
2007/0272768 A1 11/2007 Williams
2010/0187333 A1 * 7/2010 Escoto, Jr. B05B 7/066
239/290
2013/0320110 A1 * 12/2013 Brose B05B 7/2489
239/302
2014/0312146 A1 * 10/2014 Huang B05B 7/02
239/526
2015/0069142 A1 * 3/2015 Duncan B05B 7/083
239/8

OTHER PUBLICATIONS

No. AA23L-458B5 & No. AA23L45885-SS, Gunjet Spray Guns, Spraying Systems Co., Sheet 1.

* cited by examiner

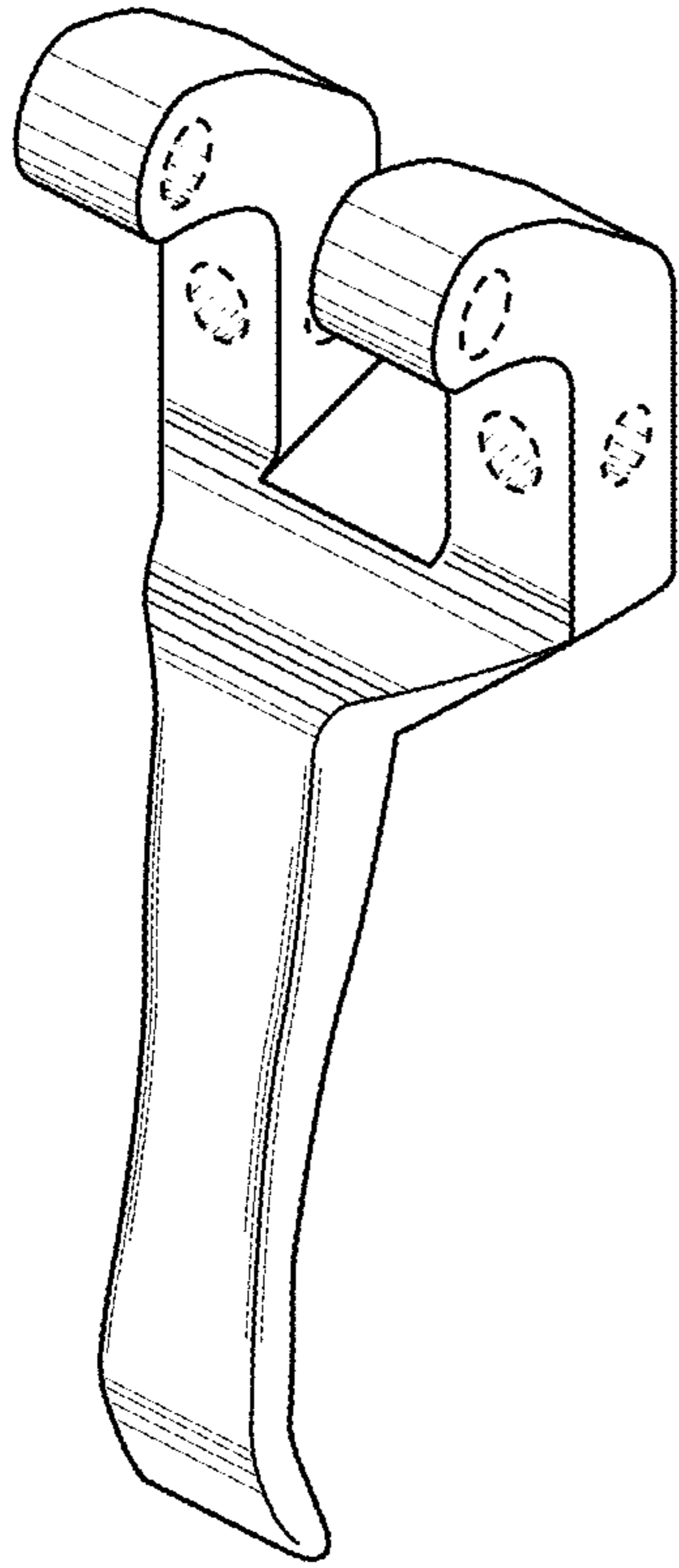


Fig. 1

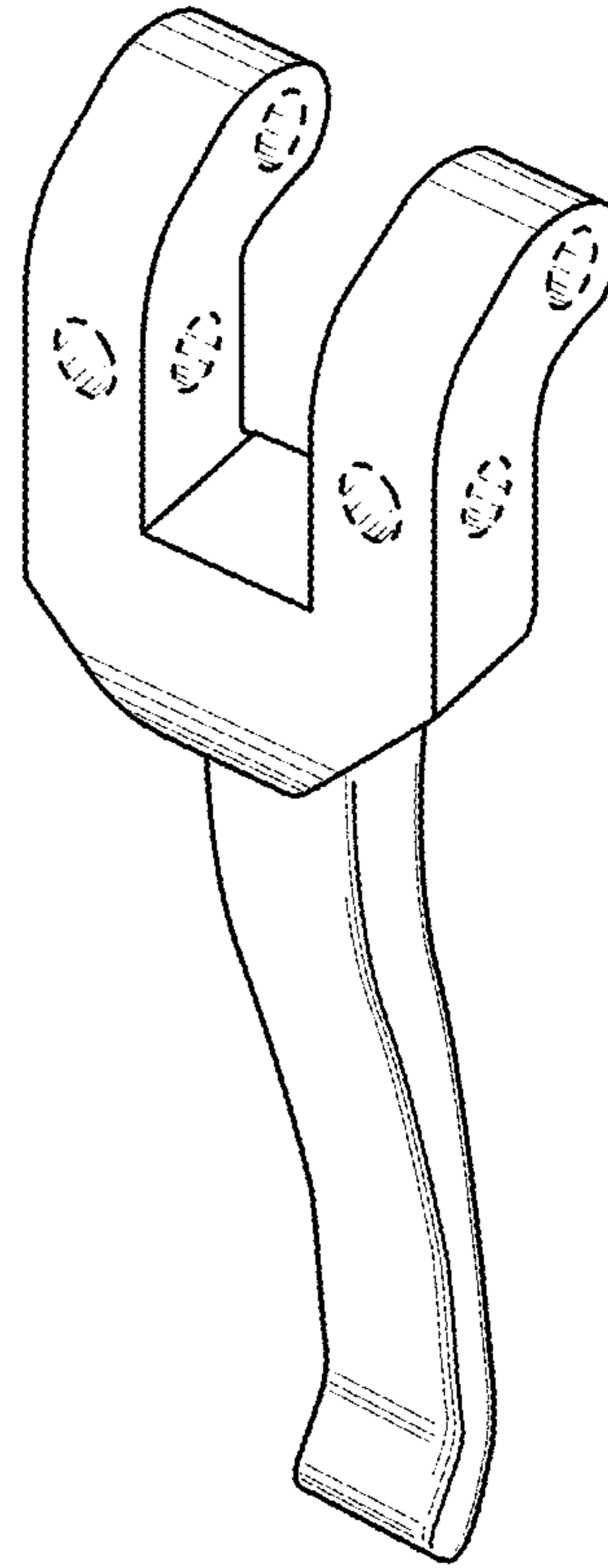


Fig. 2

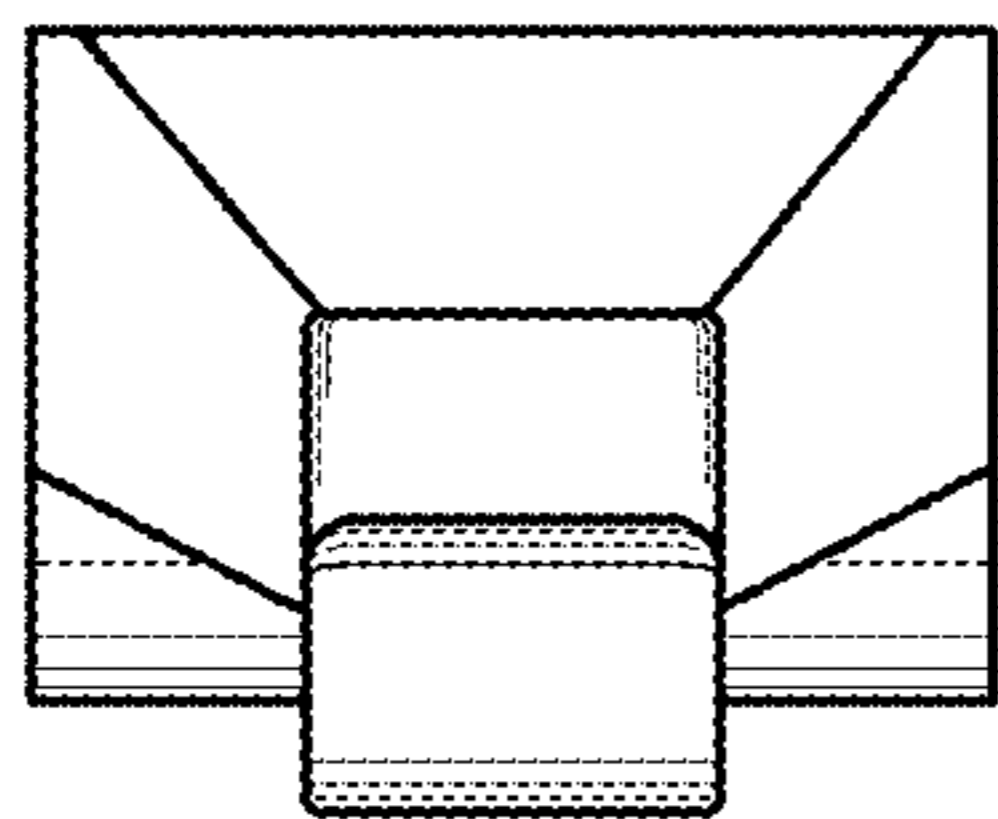


Fig. 3

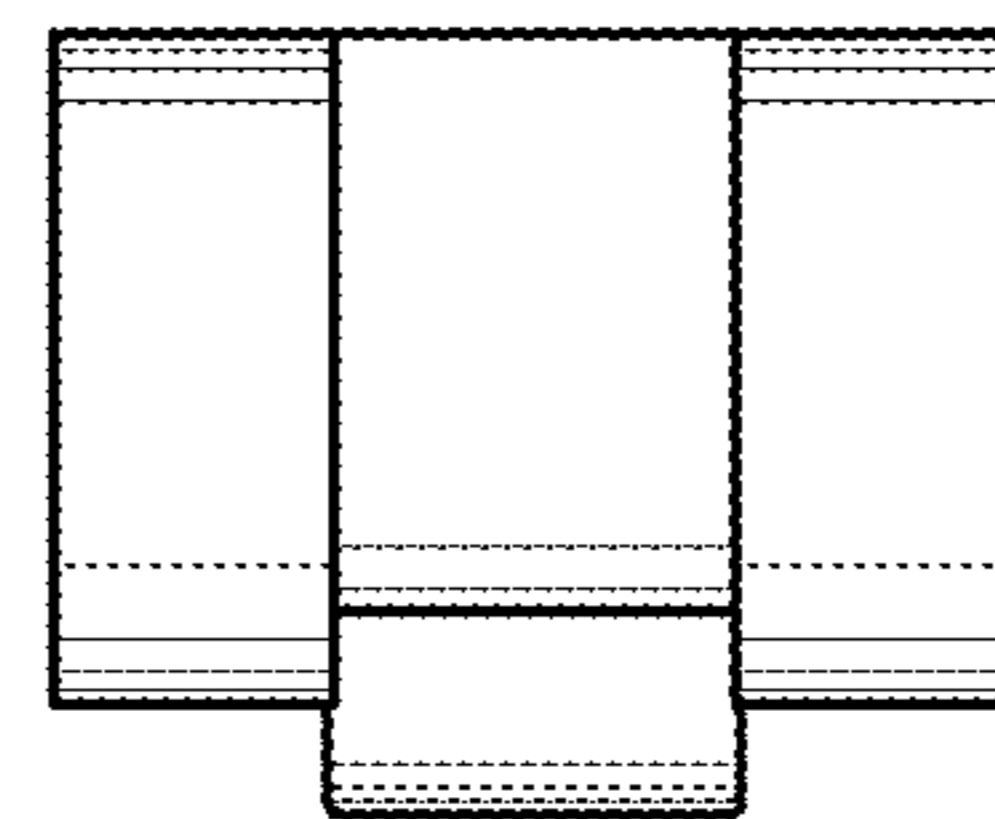


Fig. 4

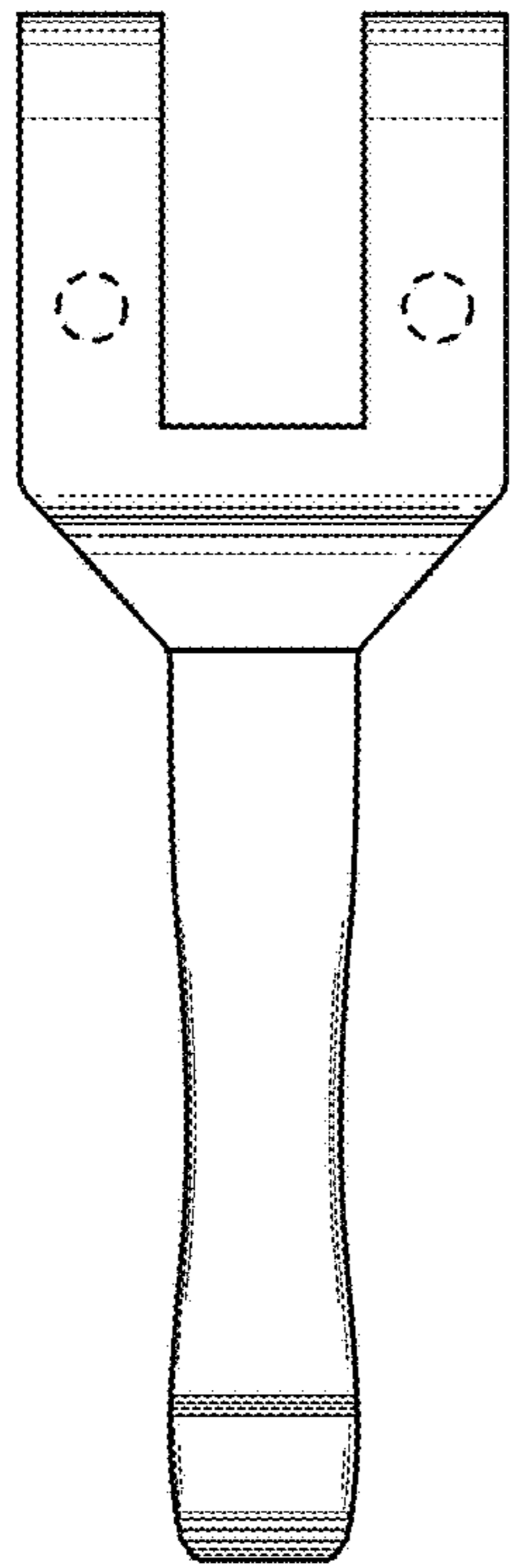


Fig. 5

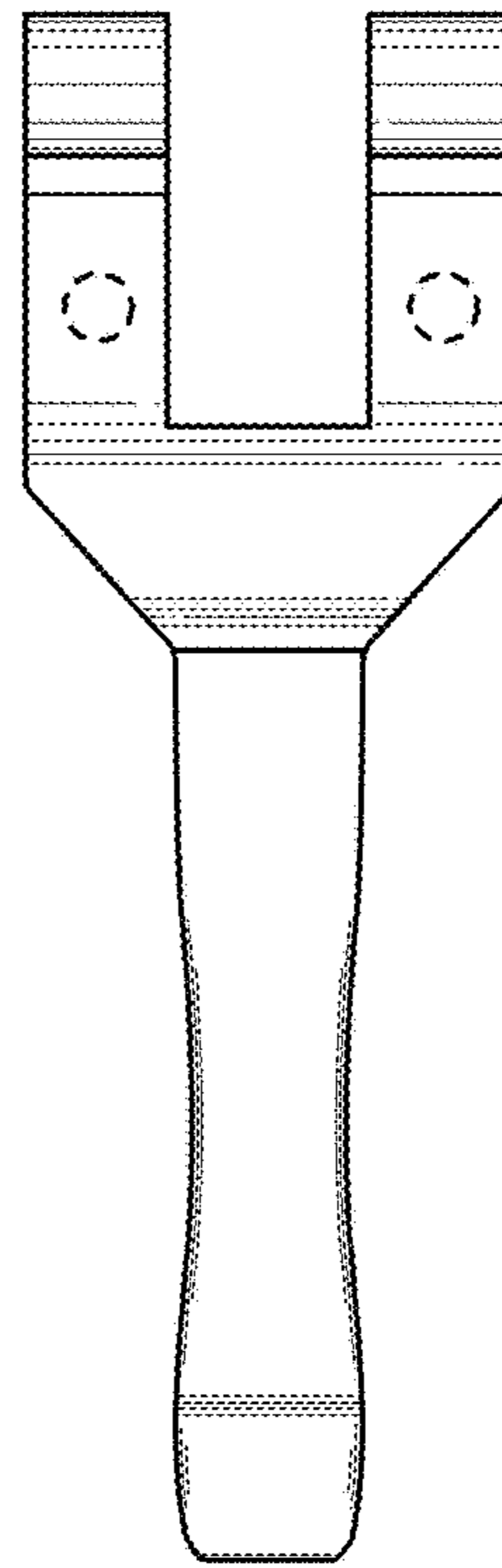


Fig. 6

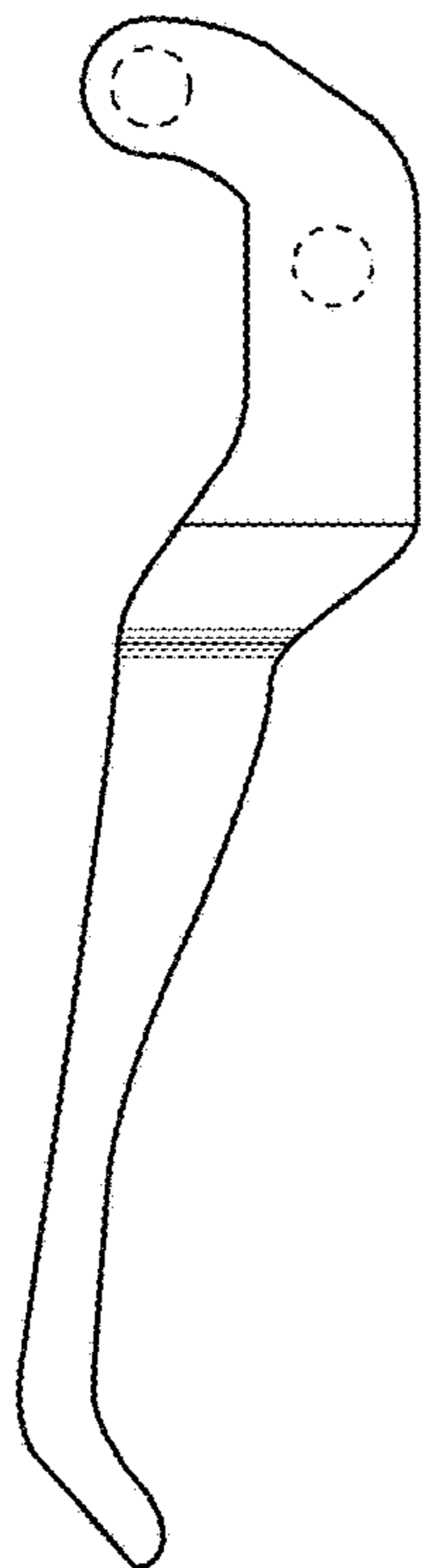


Fig. 7

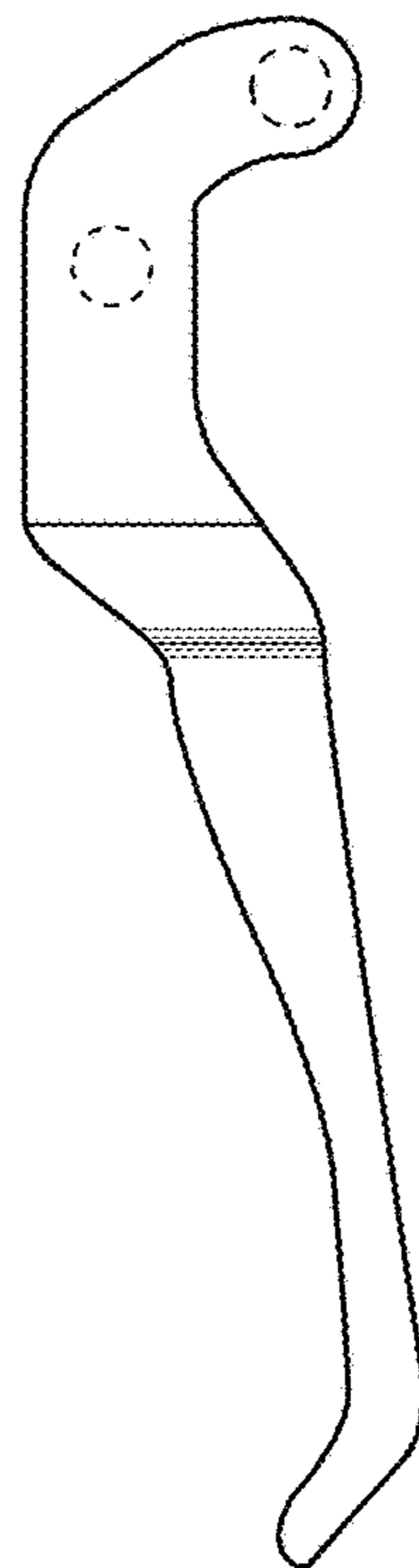


Fig. 8

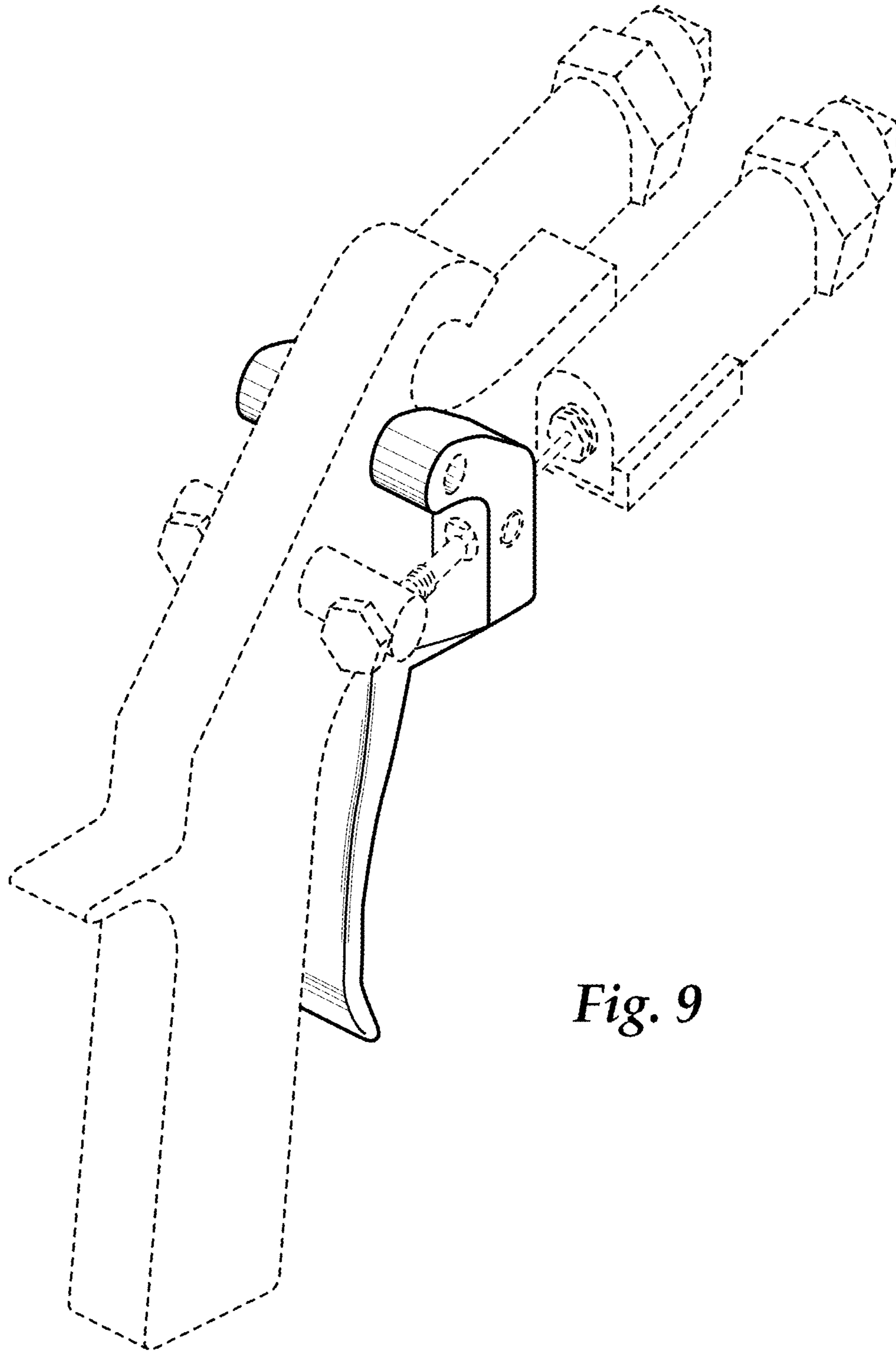


Fig. 9

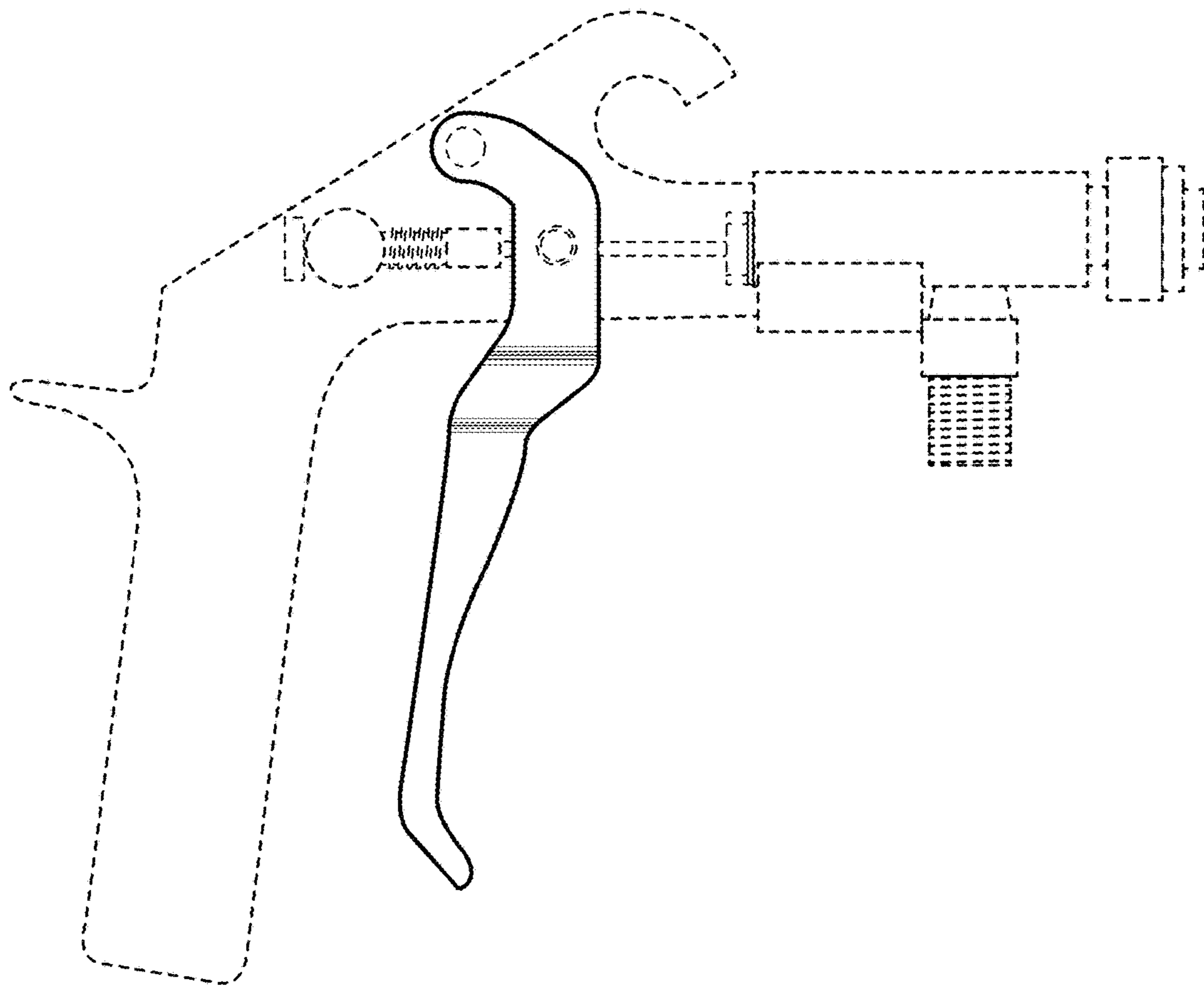


Fig. 10