



US00D791914S

(12) **United States Design Patent**
Sichien et al.

(10) **Patent No.:** **US D791,914 S**
(45) **Date of Patent:** **** Jul. 11, 2017**

(54) **FOAM GUN**

(71) Applicant: **Altachem NV**, Harelbeke (BE)

(72) Inventors: **Lieven Sichien**, Uitbergen (BE);
Jean-Marie Poppe, Heule (BE)

(73) Assignee: **Altachem NV**, Harelbeke (BE)

(**) Term: **15 Years**

(21) Appl. No.: **29/557,575**

(22) Filed: **Mar. 10, 2016**

(30) **Foreign Application Priority Data**

Nov. 20, 2015 (EM) 002872184

(51) **LOC (10) Cl.** **23-01**

(52) **U.S. Cl.**
USPC **D23/226**

(58) **Field of Classification Search**
USPC D23/213, 223, 226; D8/14.1; 118/300,
118/308; 239/525, 526
CPC B05B 9/01; B05B 1/18
See application file for complete search history.

(56) **References Cited**

U.S. PATENT DOCUMENTS

D567,901 S * 4/2008 Rigolio D23/226
D567,903 S * 4/2008 Rigolio D23/226

D568,963 S * 5/2008 Rigolio D23/226
D574,464 S * 8/2008 Rigolio D23/226
D574,465 S * 8/2008 Rigolio D23/226
D591,397 S * 4/2009 Rigolio D23/226
D627,035 S * 11/2010 Evar D23/226
D642,660 S * 8/2011 Sichien D23/226
D655,391 S * 3/2012 Chen D23/226
D664,237 S * 7/2012 Sichien D23/226
D684,663 S * 6/2013 Sichien D23/226
D684,665 S * 6/2013 Sichien D23/226

* cited by examiner

Primary Examiner — Robin V Webster

(74) *Attorney, Agent, or Firm* — Collard & Roe, P.C.

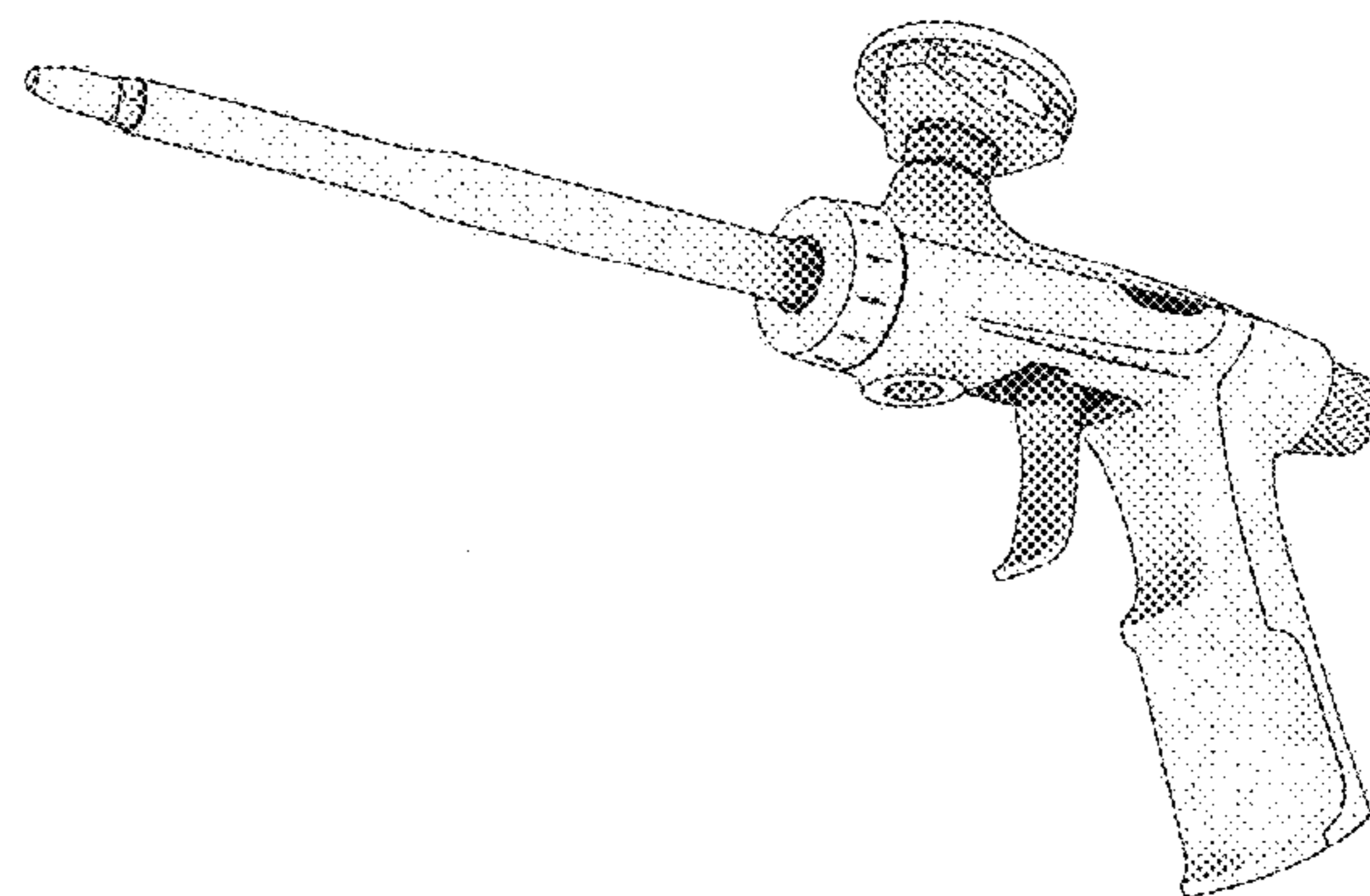
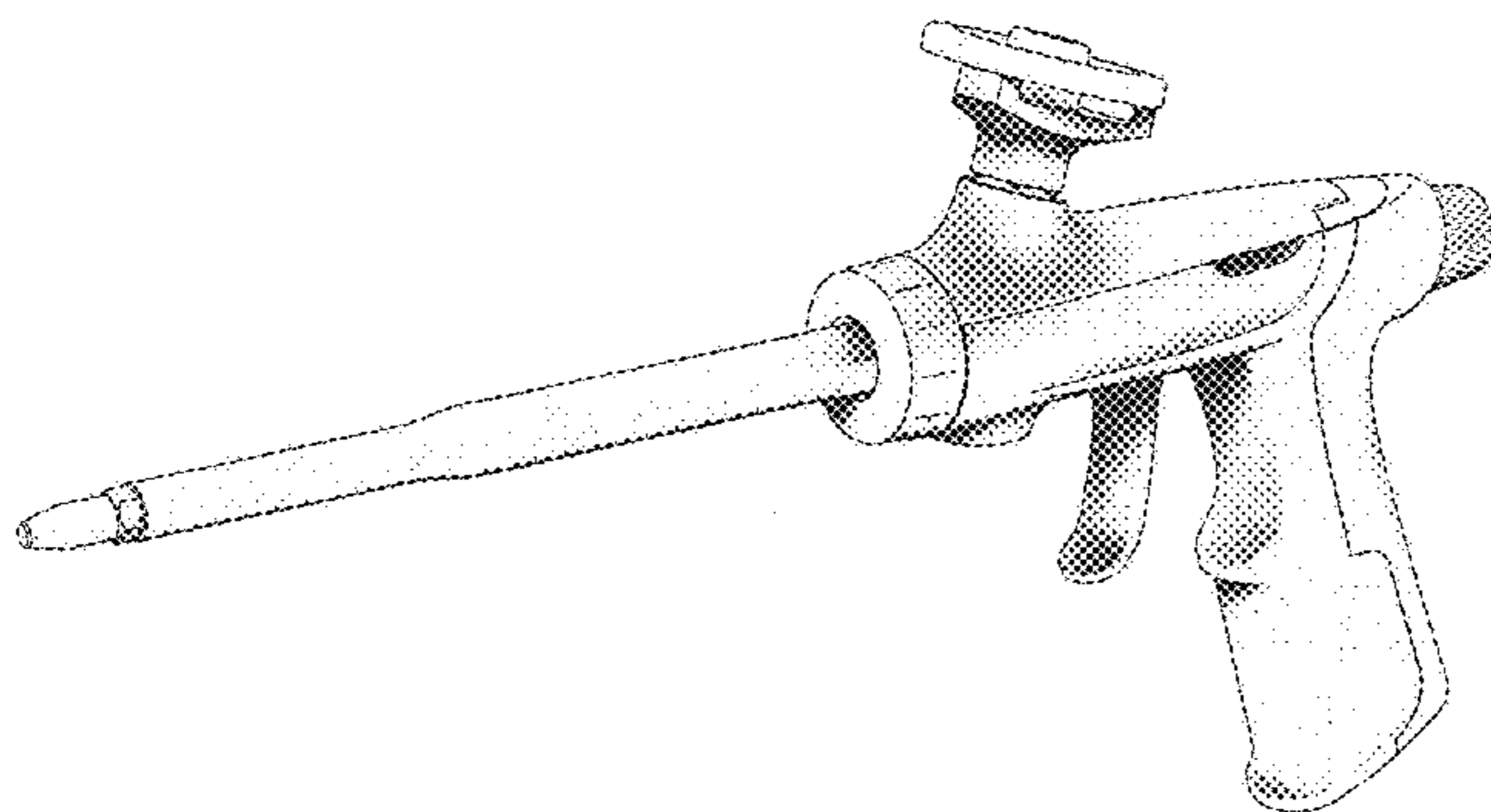
(57) **CLAIM**

The ornamental design for a foam gun, as shown and described.

DESCRIPTION

FIG. 1 is a side and front perspective view of a foam gun, showing our new design;
FIG. 2 is a top view thereof;
FIG. 3 is a side view thereof, with the opposite side view being a mirror image;
FIG. 4 is a rear, side and top perspective view thereof;
FIG. 5 is a side and bottom perspective view thereof; and,
FIG. 6 is a bottom view thereof.

1 Claim, 6 Drawing Sheets



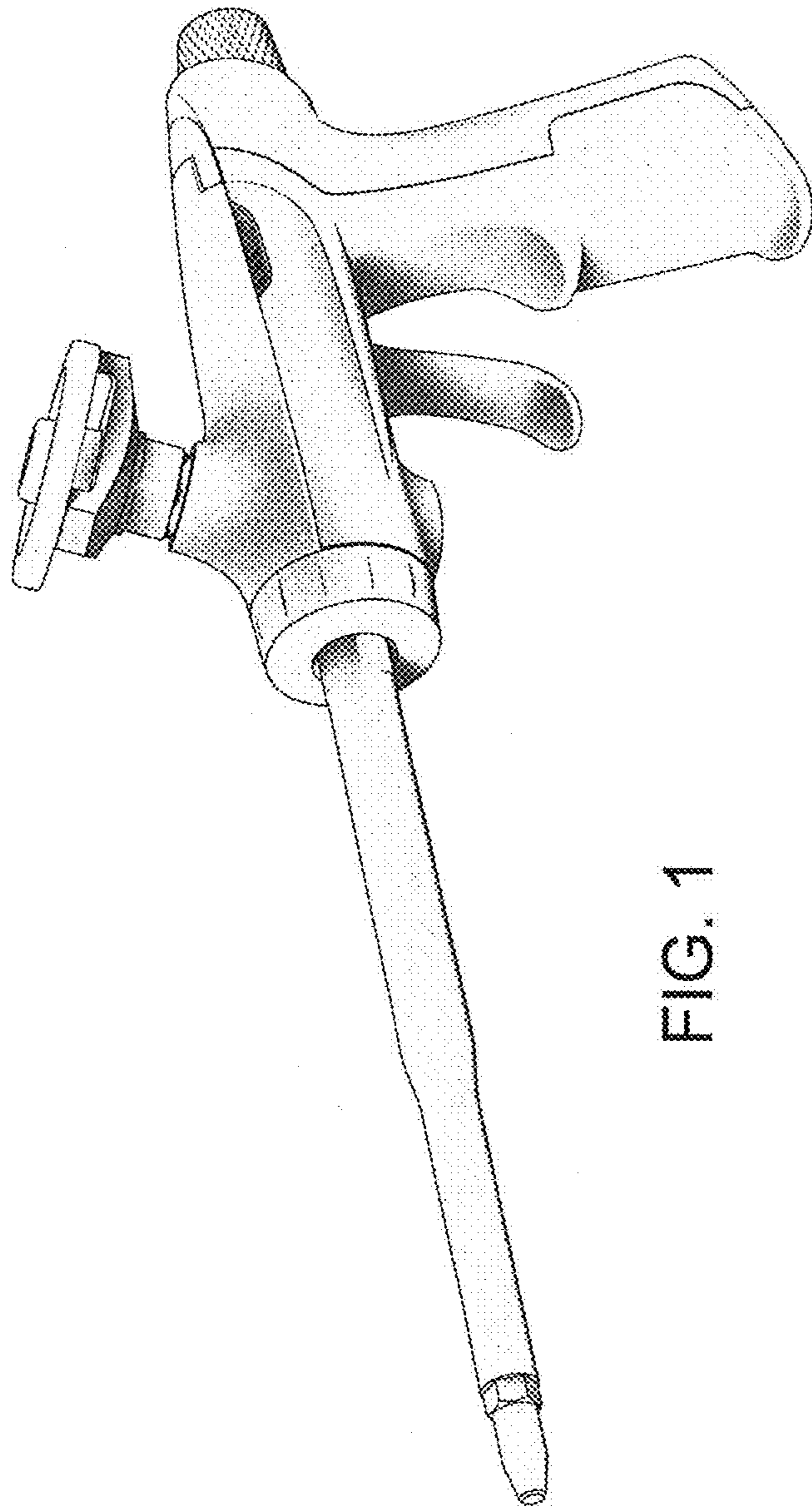


FIG. 1

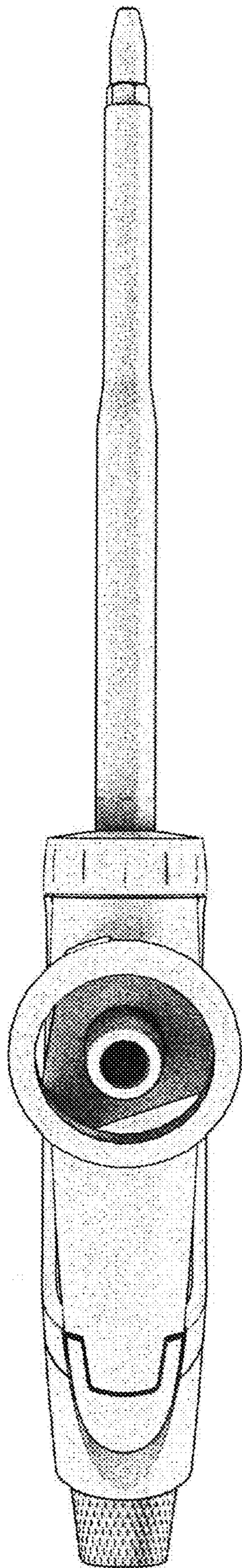


FIG. 2

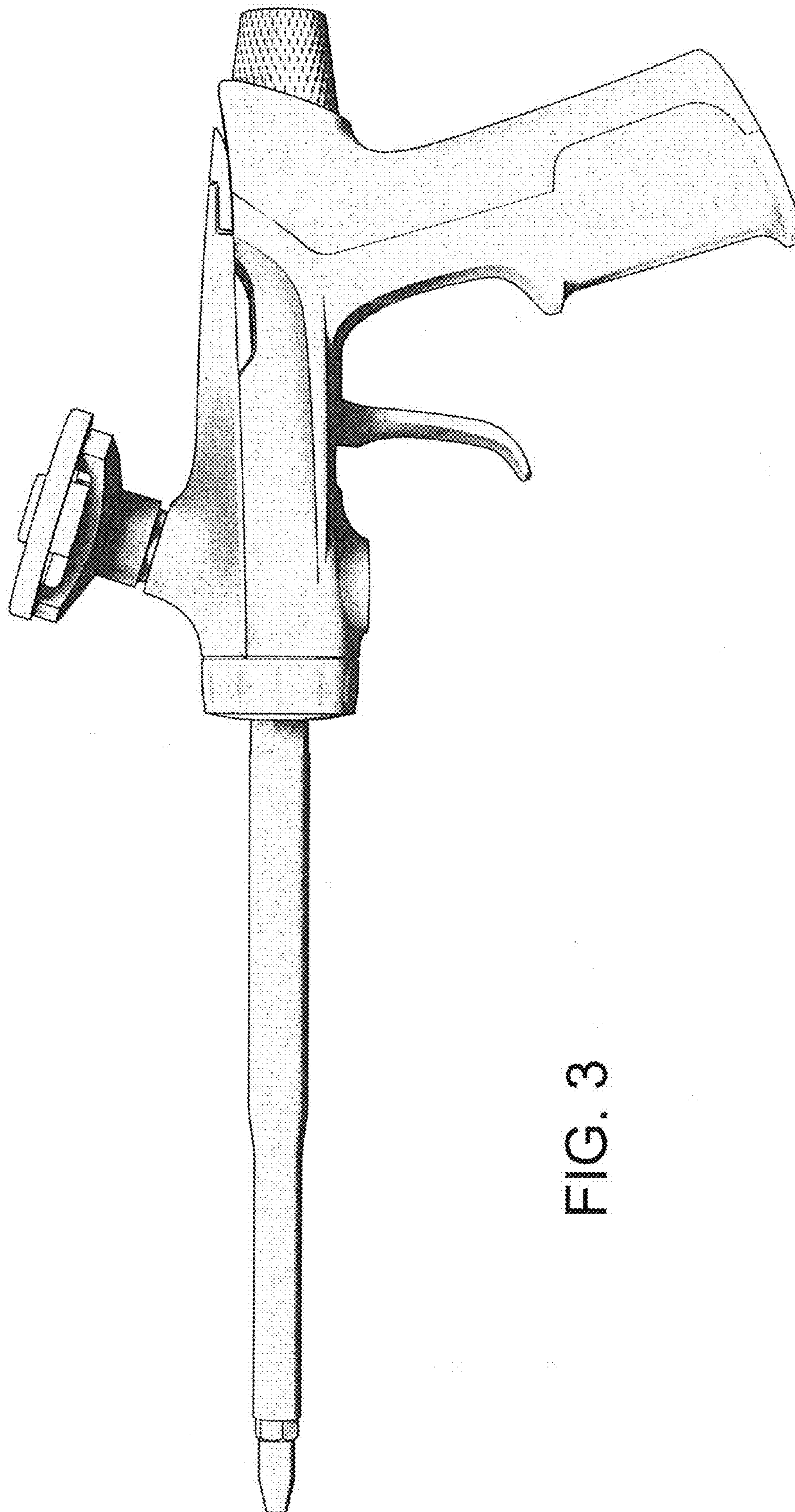


FIG. 3

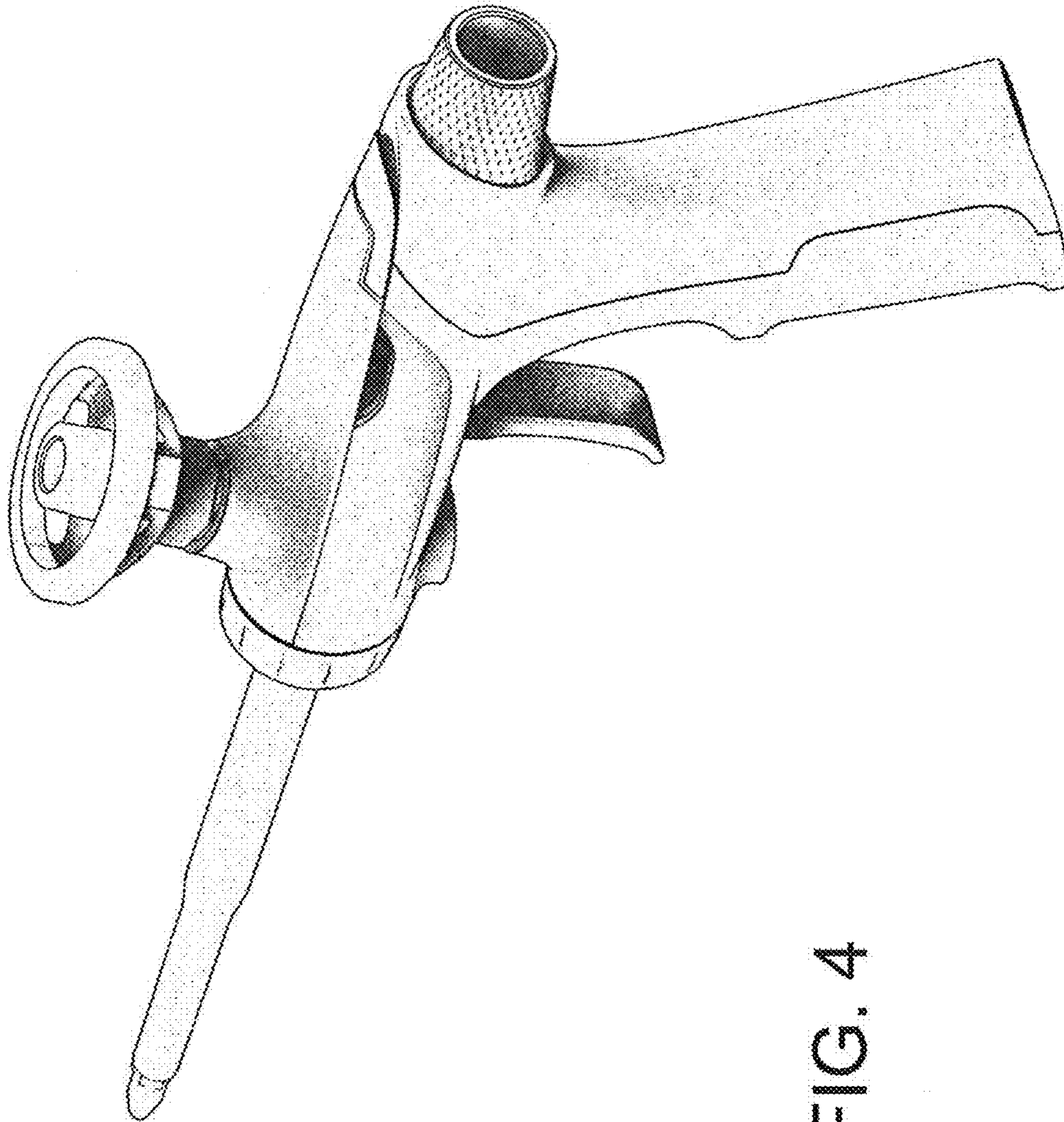


FIG. 4

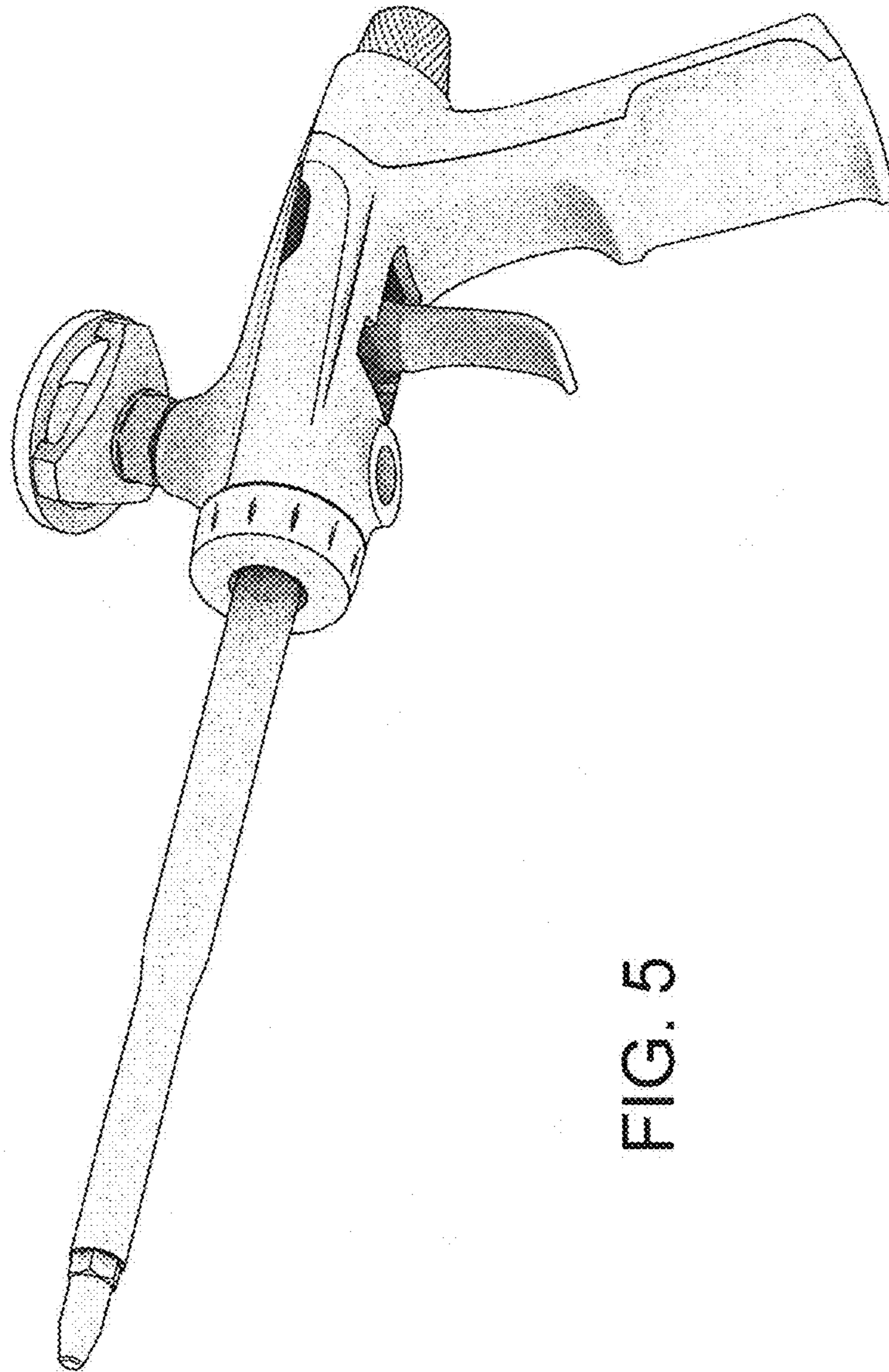


FIG. 5

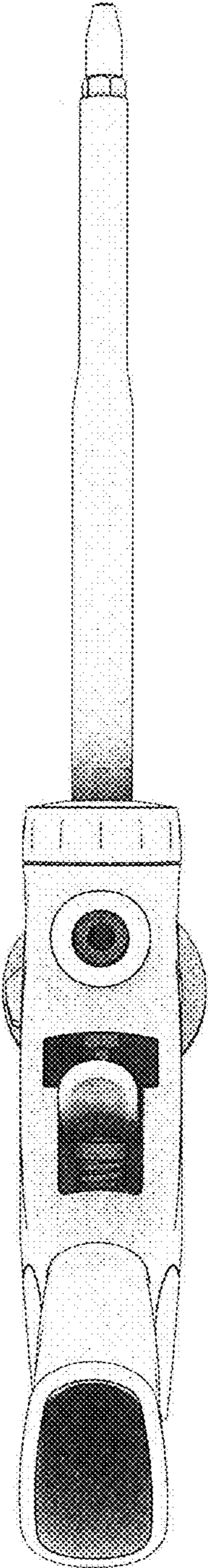


FIG. 6