



US00D791912S

(12) **United States Design Patent** (10) **Patent No.:** **US D791,912 S**  
**Boudreau et al.** (45) **Date of Patent:** **\*\* Jul. 11, 2017**

(54) **FILTER CARTRIDGE WITH FLANGE END**  
(71) Applicant: **KX Technologies LLC**, West Haven, CT (US)  
(72) Inventors: **Kelly Boudreau**, Lake Elmo, MN (US); **Keith D. Johnson**, Woodbury, MN (US); **Michael J. Sherman**, Woodbury, MN (US); **Frank A. Brigano**, Northford, CT (US); **Richard Kirchner**, Apple Valley, MN (US); **Paul A. Plosi**, Minnetonka, MN (US); **Jason J. Ness**, Victoria, MN (US)

4,491,520 A 1/1985 Jaye  
4,714,550 A 12/1987 Malson et al.  
4,787,973 A 11/1988 Ando et al.  
4,995,975 A 2/1991 Jacquot et al.  
D559,349 S 1/2008 Brown  
D594,088 S 6/2009 Pritchard  
7,762,429 B2 7/2010 Macler et al.

(Continued)

**FOREIGN PATENT DOCUMENTS**

EP 0404573 A2 12/1990  
EP 0861809 4/1995

(Continued)

*Primary Examiner* — Robin V Webster

(73) Assignee: **KX TECHNOLOGIES LLC**, West Haven, CT (US)

(74) *Attorney, Agent, or Firm* — DeLio, Peterson & Curcio, LLC; Robert Curcio

(\*\*) Term: **15 Years**

(57) **CLAIM**

(21) Appl. No.: **29/561,337**

The ornamental design for a filter cartridge with flange end, as shown and described.

(22) Filed: **Apr. 15, 2016**

**DESCRIPTION**

**Related U.S. Application Data**

(62) Division of application No. 29/514,957, filed on Jan. 19, 2015, now Pat. No. Des. 765,220.

(51) **LOC (10) Cl.** ..... **23-01**

(52) **U.S. Cl.**  
USPC ..... **D23/209**

(58) **Field of Classification Search**  
USPC ..... D23/207, 209; D7/400; 210/232, 282, 210/244, 238

CPC ..... C02F 1/003; B01D 35/30  
See application file for complete search history.

FIG. 1 is the front perspective view of the flange end of a filter cartridge according to the present invention; FIG. 2 is the back perspective view of the flange end of a filter cartridge according to the present invention; FIG. 3 is the left side view of the flange end of a filter cartridge according to the present invention; FIG. 4 is the right side view of the flange end of a filter cartridge according to the present invention; FIG. 5 is the top view of the flange end of a filter cartridge according to the present invention; FIG. 6 is the front view of the flange end of a filter cartridge according to the present invention; and, FIG. 7 is the back view of the flange end of a filter cartridge according to the present invention.

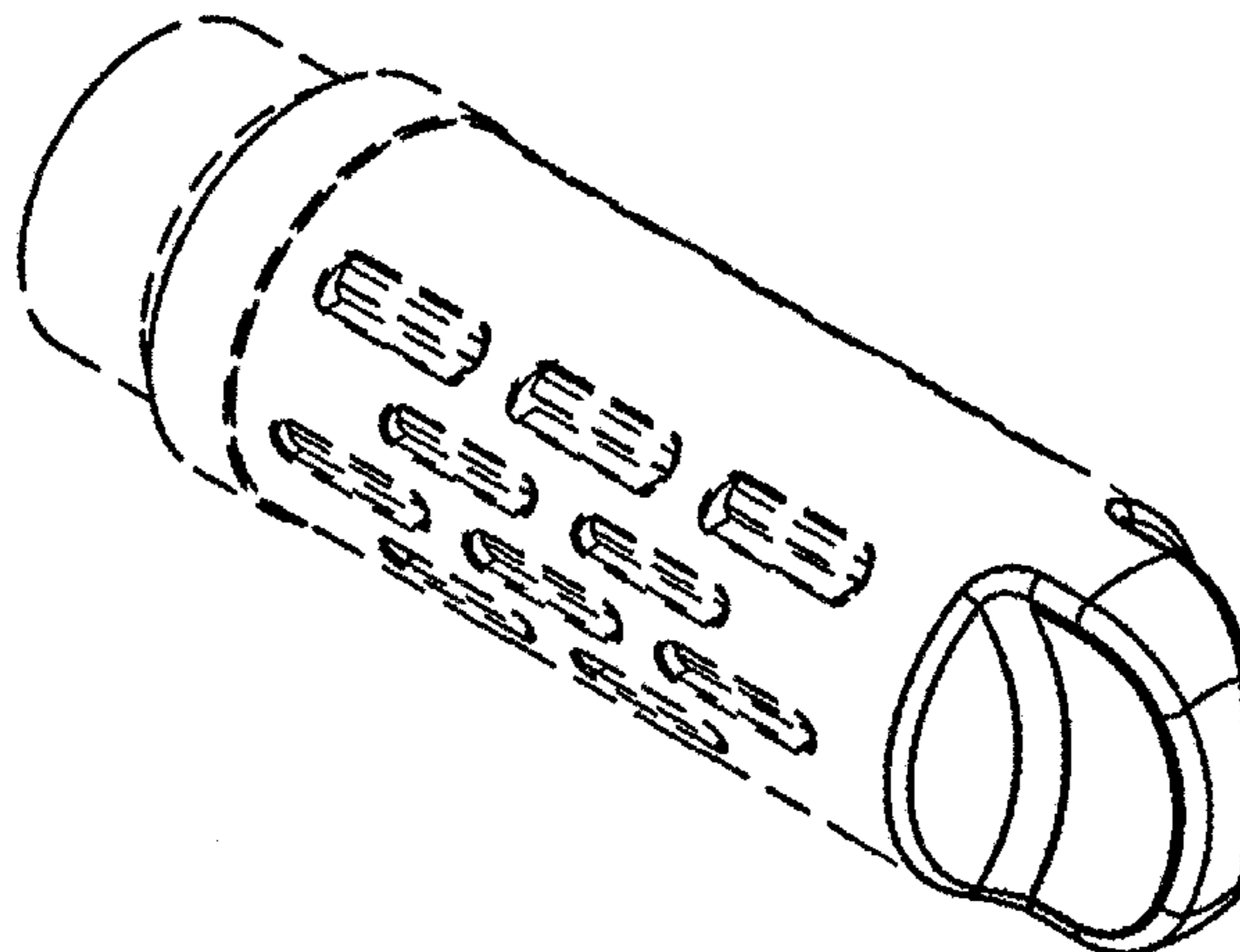
The broken line showing of portions of the filter cartridge is included for the purpose of illustrating and forms no part of the claimed design.

(56) **References Cited**

**U.S. PATENT DOCUMENTS**

2,558,987 A 7/1951 Shaw  
3,430,824 A 3/1969 Conners et al.  
4,181,243 A 1/1980 Frahm

**1 Claim, 3 Drawing Sheets**



(56)

**References Cited**

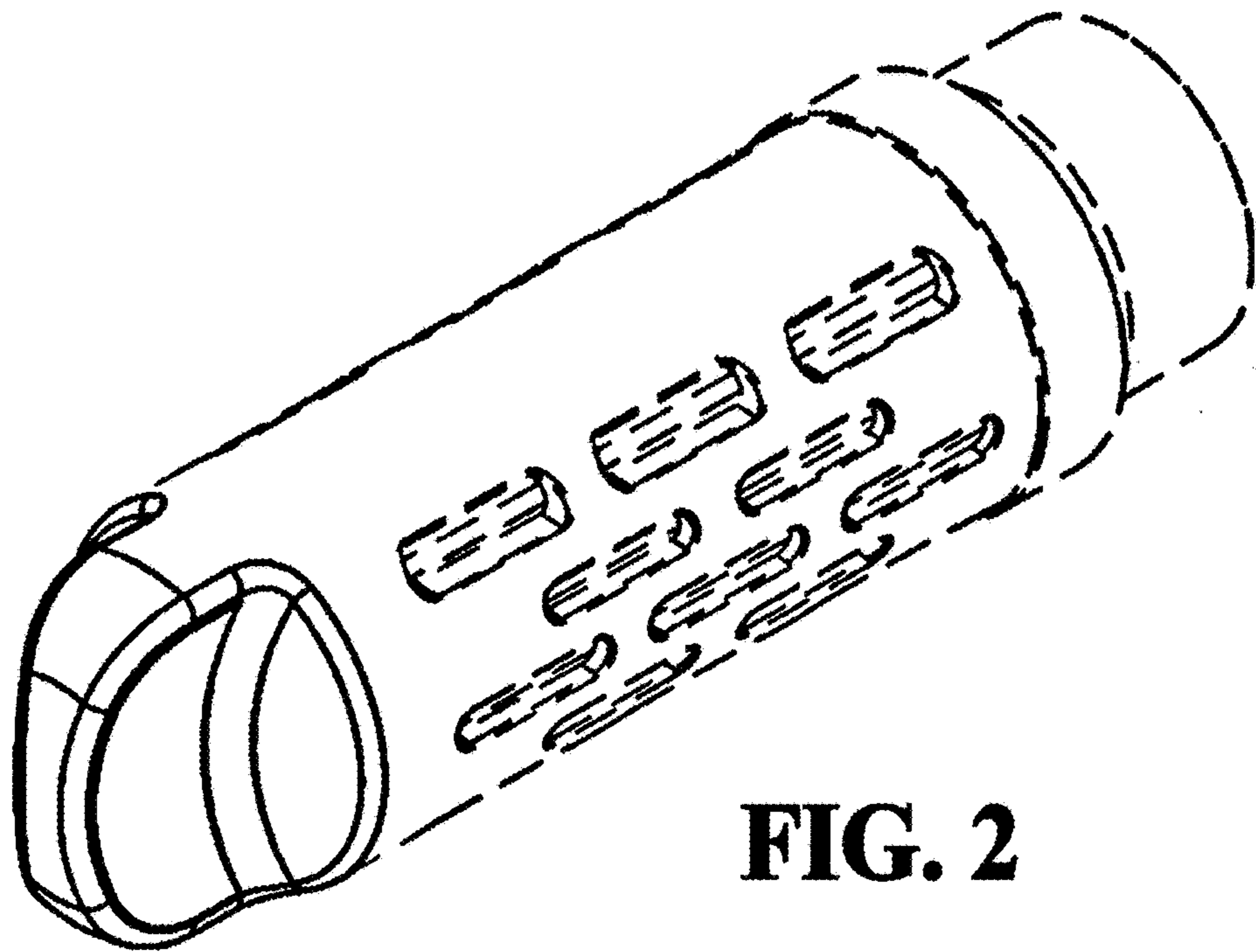
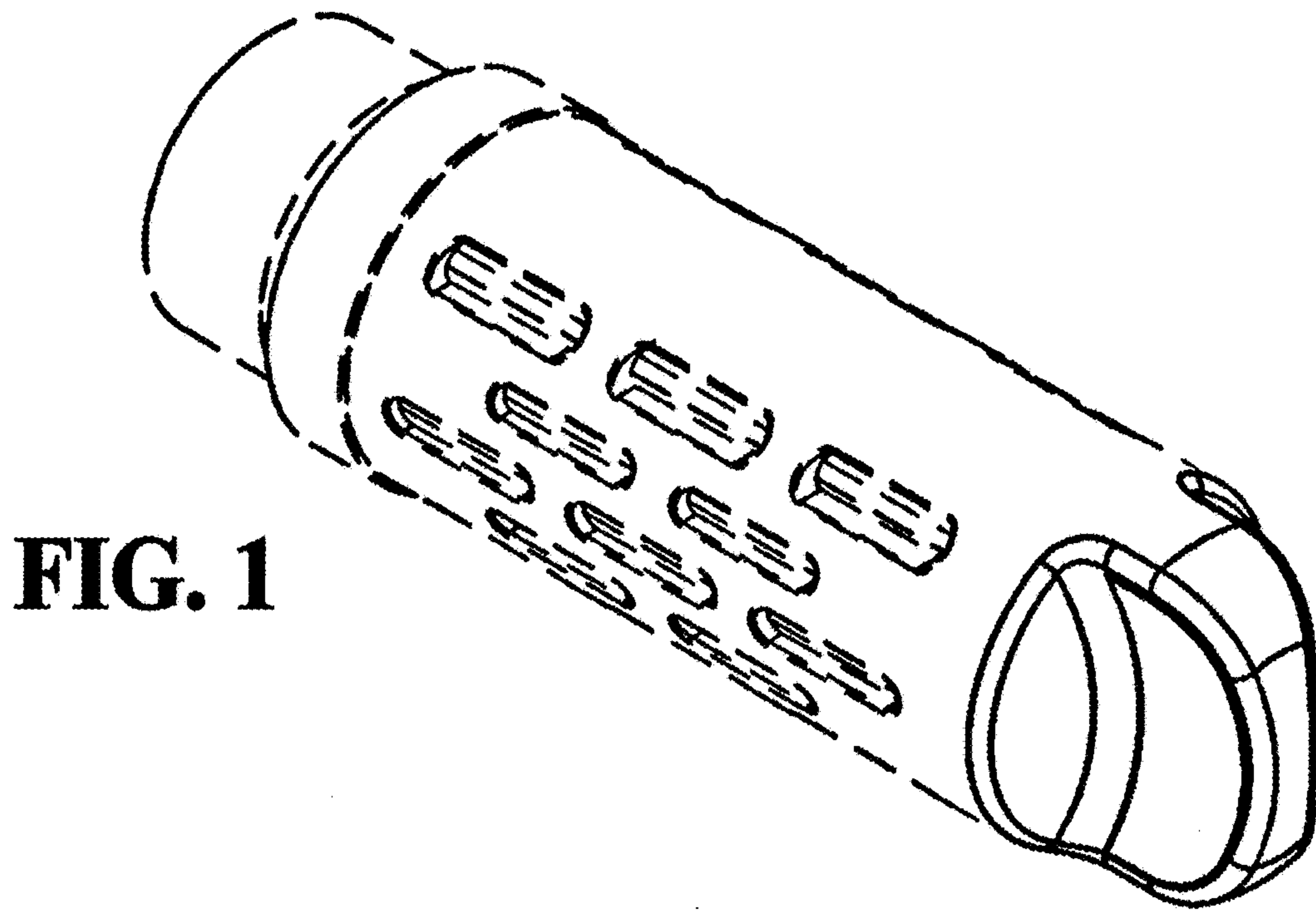
U.S. PATENT DOCUMENTS

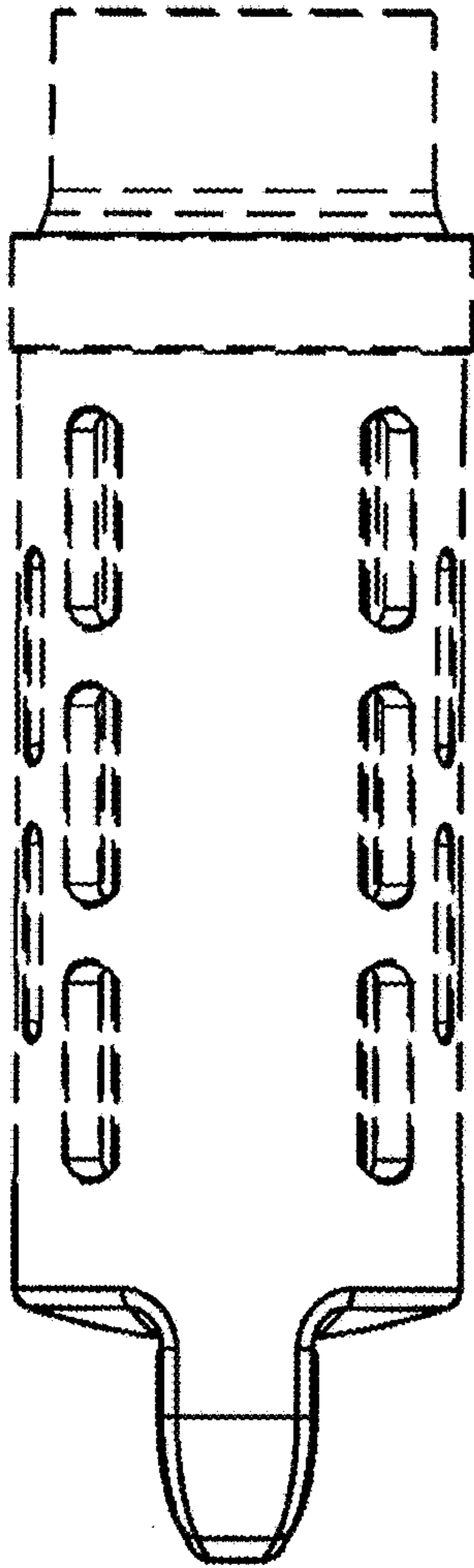
D643,508	S	8/2011	Wilkinson et al.
8,230,692	B2	7/2012	Moon et al.
8,377,292	B2	2/2013	Patera et al.
8,388,841	B2	3/2013	Moretto
D686,296	S	7/2013	Melzer
D691,418	S	10/2013	Minton et al.
D729,343	S	5/2015	Melzer et al.
D747,140	S	1/2016	Roth et al.
D765,220	S *	8/2016	Boudreau ..... D23/209
2011/0284585	A1	11/2011	Stewart-Barnett
2013/0118972	A1	5/2013	Yui
2013/0213877	A1	8/2013	Lin et al.

FOREIGN PATENT DOCUMENTS

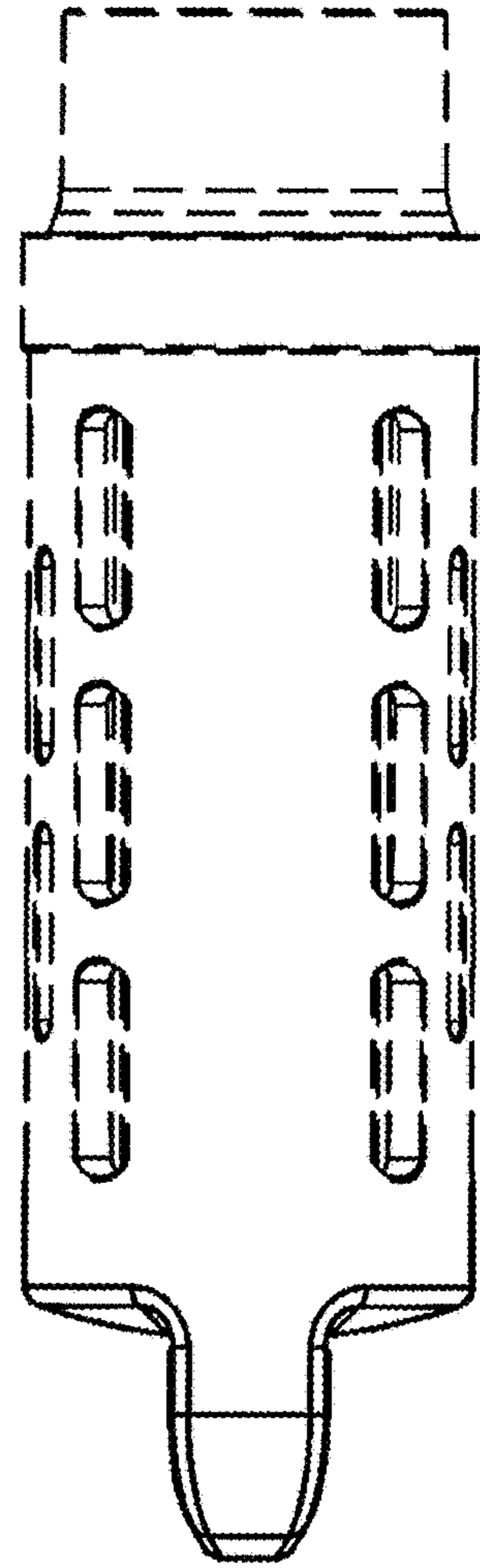
EP	1028090	1/2000
EP	1321428	12/2002
GB	2504501	2/2014
WO	WO 94 04245	3/1994
WO	WO 98 05401	2/1998
WO	WO 98 32705	7/1998
WO	WO 2012 130329	10/2012

\* cited by examiner

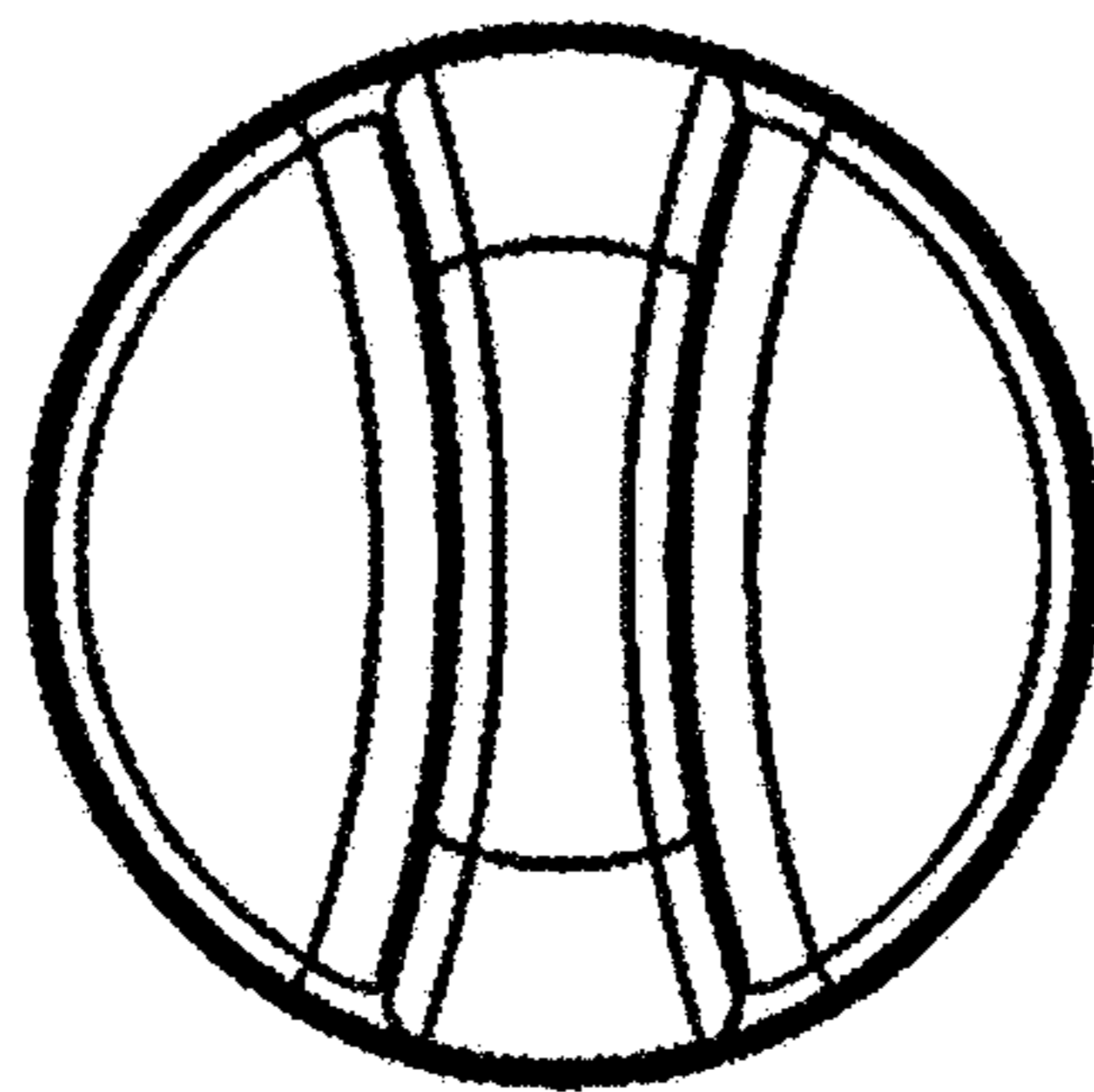




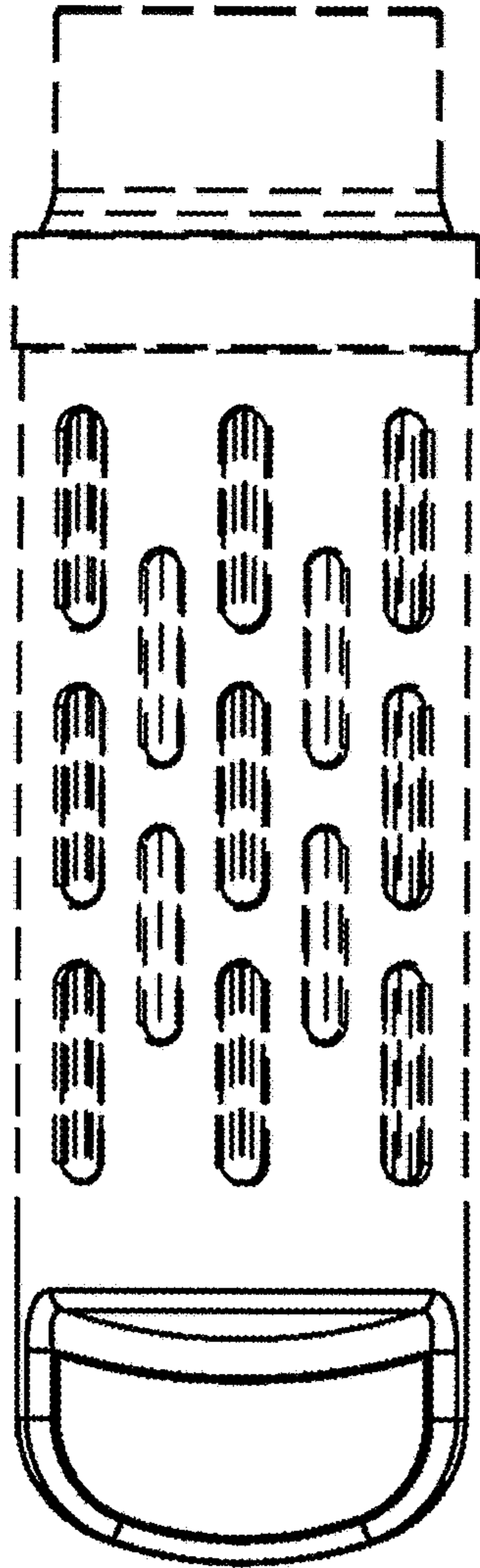
**FIG. 3**



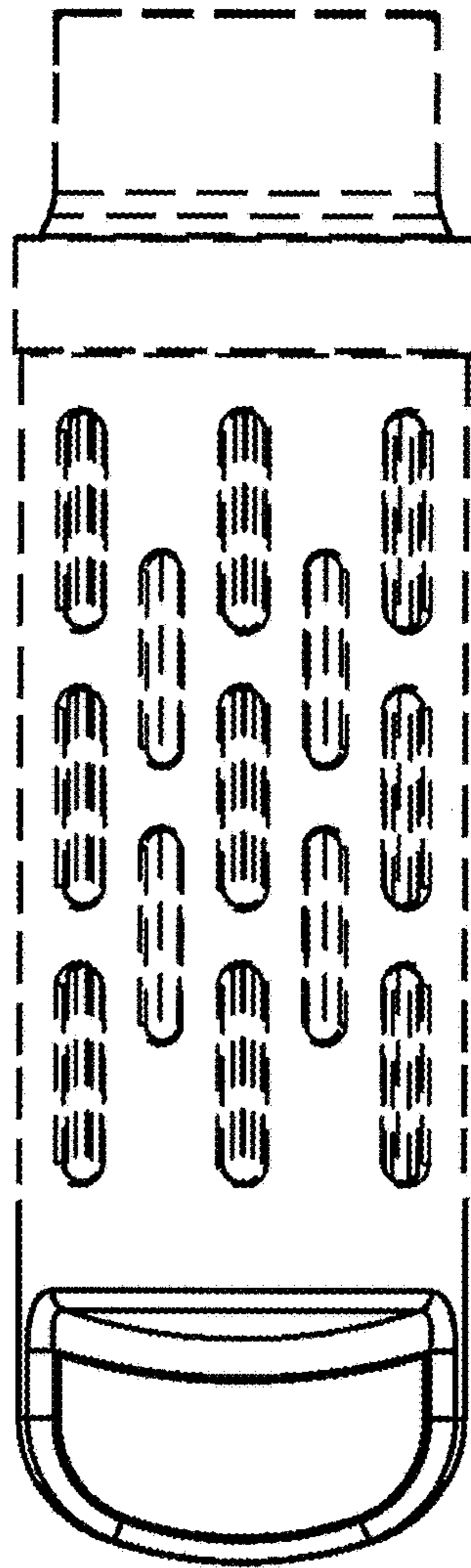
**FIG. 4**



**FIG. 5**



**FIG. 6**



**FIG. 7**