



US00D791909S

(12) **United States Design Patent**
Ming

(10) **Patent No.:** **US D791,909 S**

(45) **Date of Patent:** **** Jul. 11, 2017**

(54) **DISPENSER**

(71) Applicant: **Sun Ming**, Doraville, GA (US)

(72) Inventor: **Sun Ming**, Doraville, GA (US)

(73) Assignee: **POPS TECHNOLOGIES LLC**,
Buffalo, NY (US)

(**) Term: **15 Years**

(21) Appl. No.: **29/505,714**

(22) Filed: **Jan. 13, 2016**

(51) **LOC (10) Cl.** **23-01**

(52) **U.S. Cl.**
USPC **D23/208**

(58) **Field of Classification Search**
USPC D23/223, 200, 208, 209, 225, 226, 207,
D23/213; 219/232, 497; D5/32, 37
CPC .. B05B 1/18; B05B 1/20; B05B 1/205; B01D
17/00; B01D 61/025; B01D 635/30; C02F
1/441; C02F 1/003; A47K 5/06; B67D
7/0205

See application file for complete search history.

(56) **References Cited**

U.S. PATENT DOCUMENTS

D317,695 S *	6/1991	Stern	D7/312
D332,544 S *	1/1993	Steiner	D6/545
D396,588 S *	8/1998	Mack	D6/542
D414,363 S *	9/1999	Daansen	D6/545
D569,724 S *	5/2008	Bloc	D9/448
D592,899 S *	5/2009	Dukes	D6/545
D595,523 S *	7/2009	Pattberg	D6/545
D599,879 S *	9/2009	Bertucci	D23/208
D615,790 S *	5/2010	van der Heijden	D6/545
D632,909 S *	2/2011	van der Heijden	D6/545
D660,939 S *	5/2012	Bertucci	D23/208
D761,886 S *	7/2016	Seo	D15/89
D761,887 S *	7/2016	Seo	D15/89
D761,888 S *	7/2016	Seo	D15/89

D761,889 S *	7/2016	Seo	D15/89
D761,890 S *	7/2016	Seo	D15/89
D761,891 S *	7/2016	Seo	D15/89
D773,175 S *	12/2016	Fagen	D3/203.1
2008/0264518 A1 *	10/2008	Collins	B67D 1/0004 141/361

(Continued)

Primary Examiner — Robin V Webster

Assistant Examiner — Rachel Voorhies

(74) *Attorney, Agent, or Firm* — Michael McGreal

(57) **CLAIM**

I claim the ornamental design for a dispenser, as shown and described.

DESCRIPTION

FIG. 1 is a front elevation view of the dispenser of my design.

FIG. 2 is a right side elevation view thereof.

FIG. 3 is a rear elevation view thereof.

FIG. 4 is a left side elevation view thereof.

FIG. 5 is a top plan view thereof.

FIG. 6 is a bottom plan view thereof.

FIG. 7 is a perspective view of the dispenser in a closed position

FIG. 8 is a front elevation view of the dispenser in an open position

FIG. 9 is a right side elevation view thereof.

FIG. 10 is a rear elevation view thereof.

FIG. 11 is a right side elevation view thereof.

FIG. 12 is a top plan view thereof.

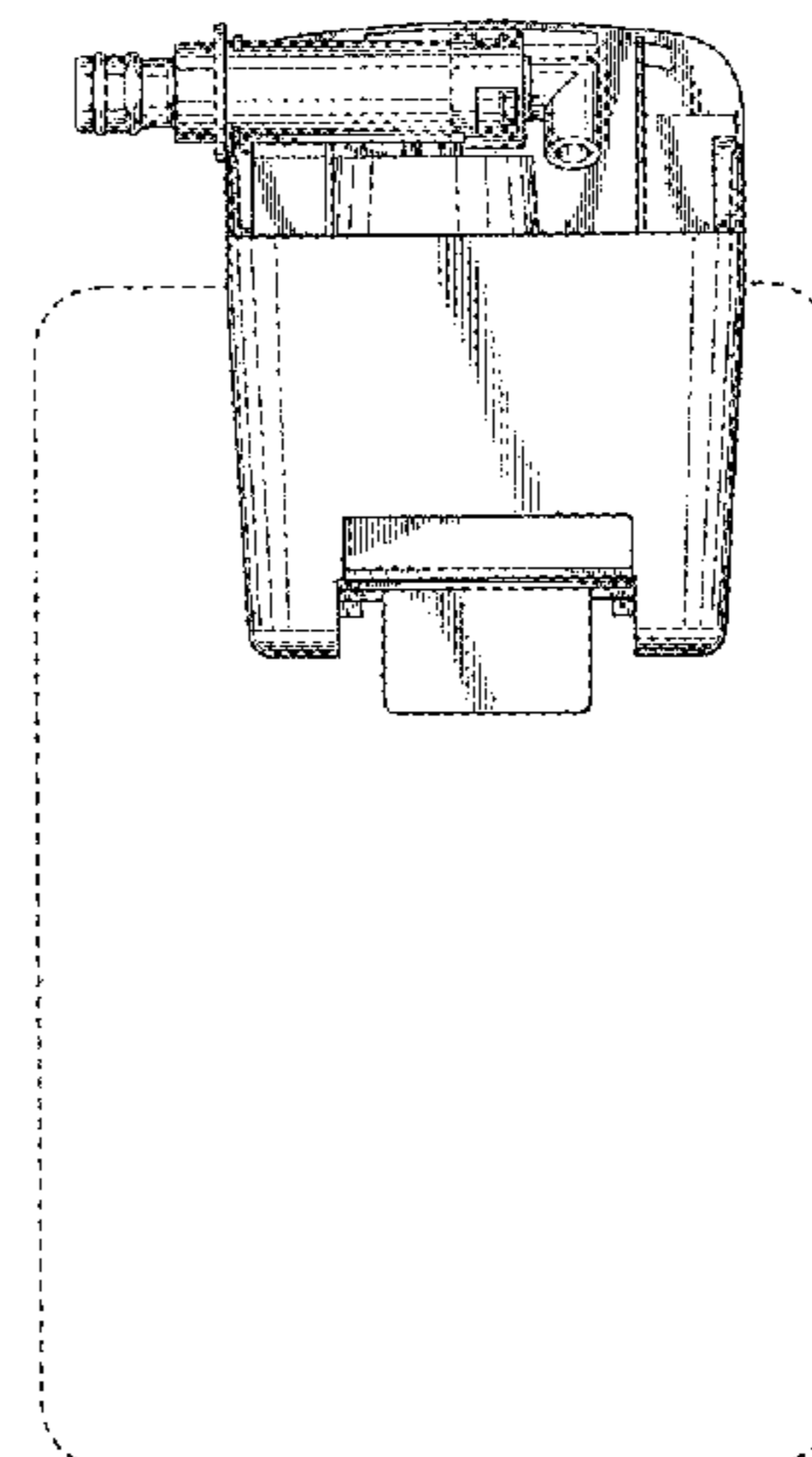
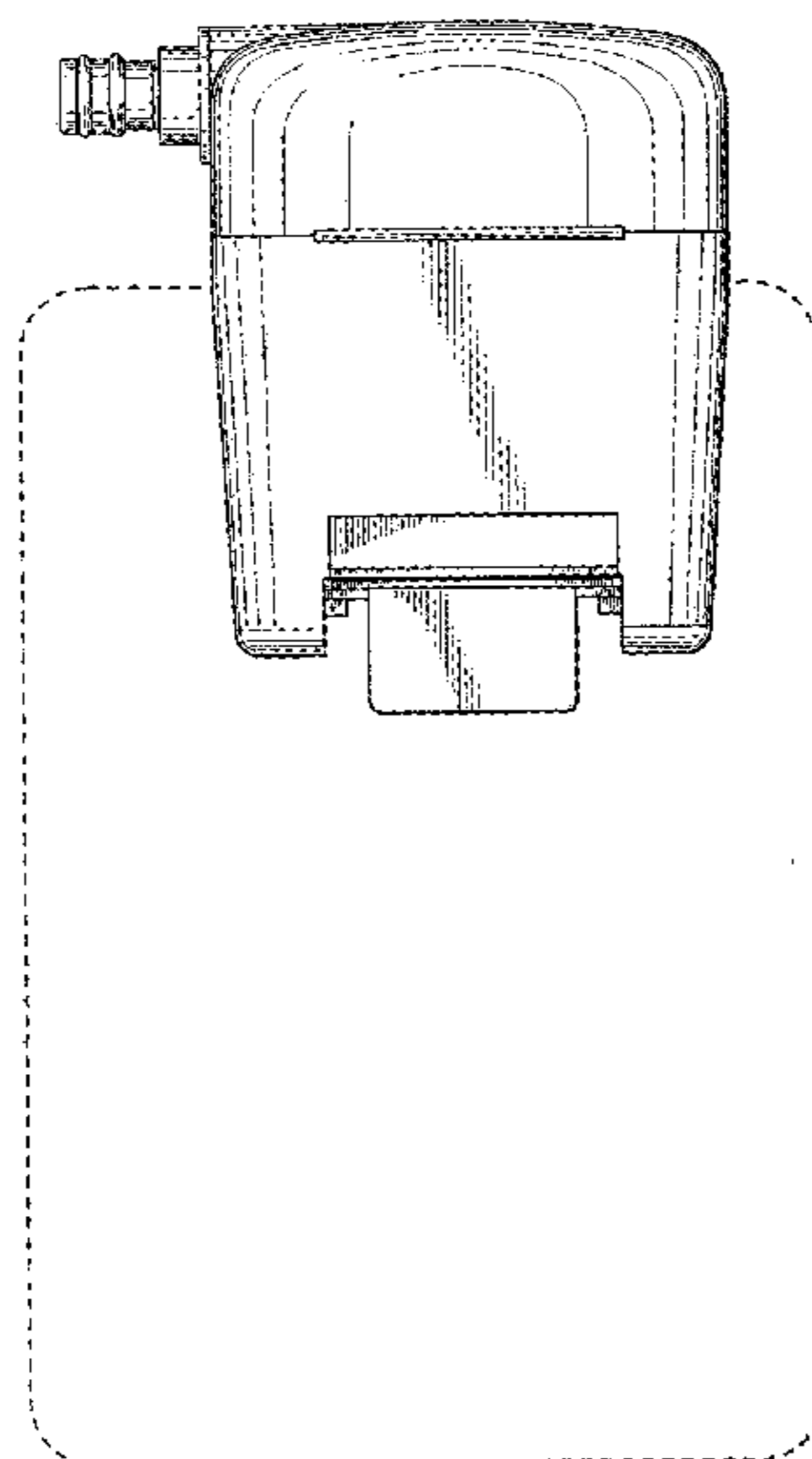
FIG. 13 is a bottom plan view thereof.

FIG. 14 is a perspective view of the dispenser in an off mode; and,

FIG. 15 is a perspective view of the dispenser in an on mode.

The broken line showings of the container are for illustrative purposes only to show environment and form no part of the claimed design.

1 Claim, 13 Drawing Sheets



(56)

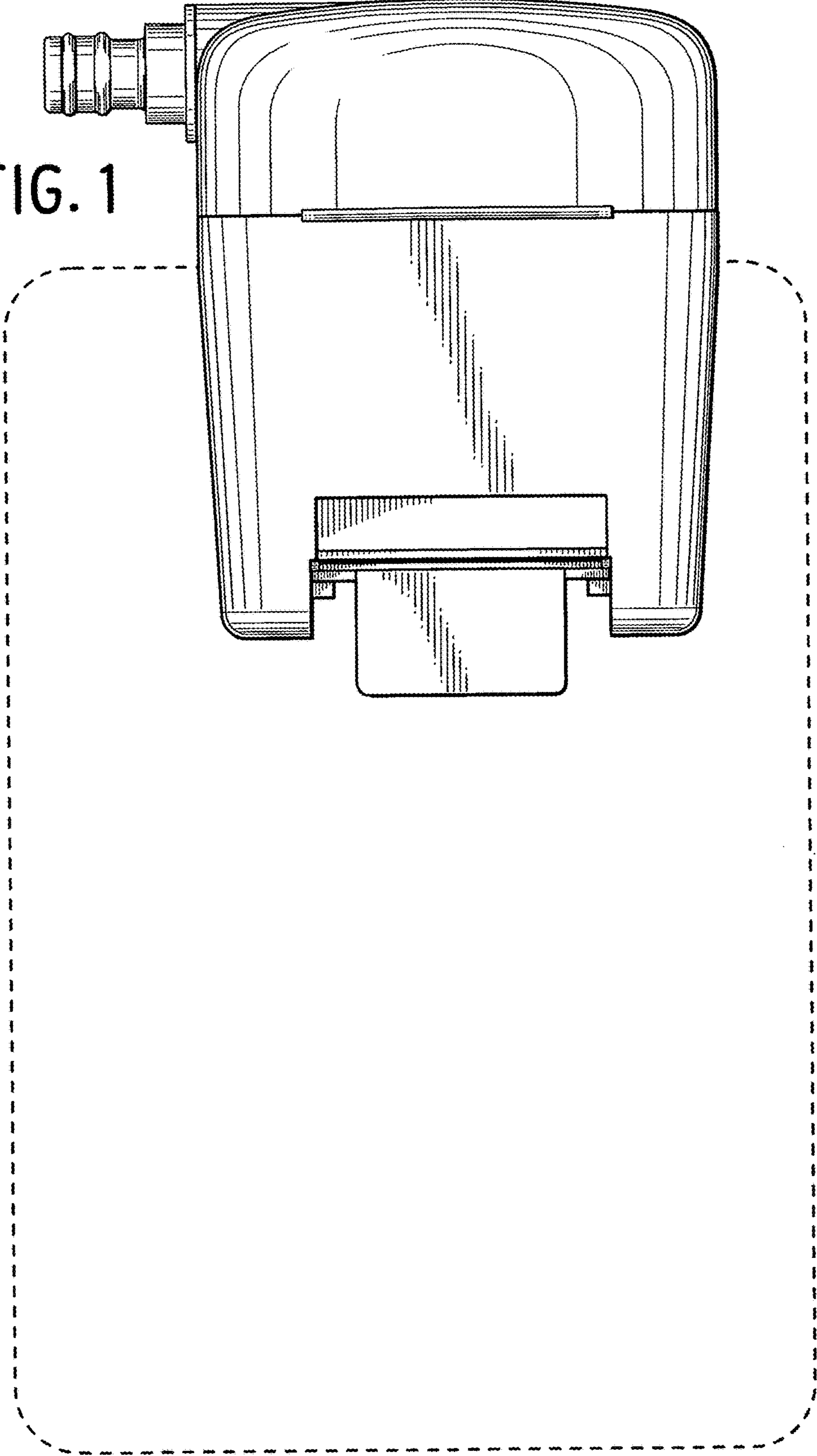
References Cited

U.S. PATENT DOCUMENTS

2009/0302061 A1* 12/2009 Ophardt B67D 1/0004
222/181.3
2013/0206791 A1* 8/2013 O'brien B67D 7/84
222/105
2014/0110434 A1* 4/2014 Ciavarella A47K 5/14
222/133

* cited by examiner

FIG. 1



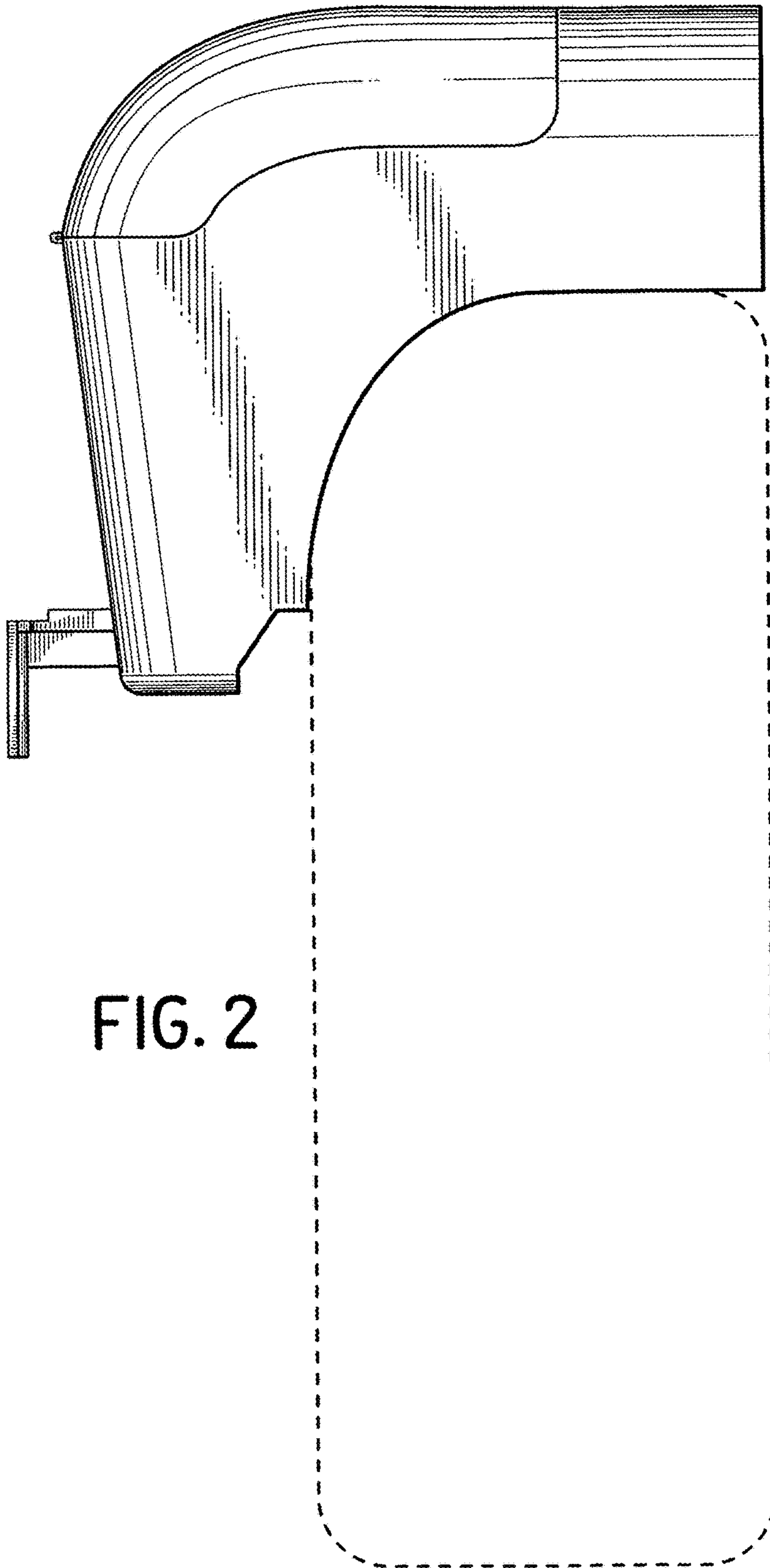
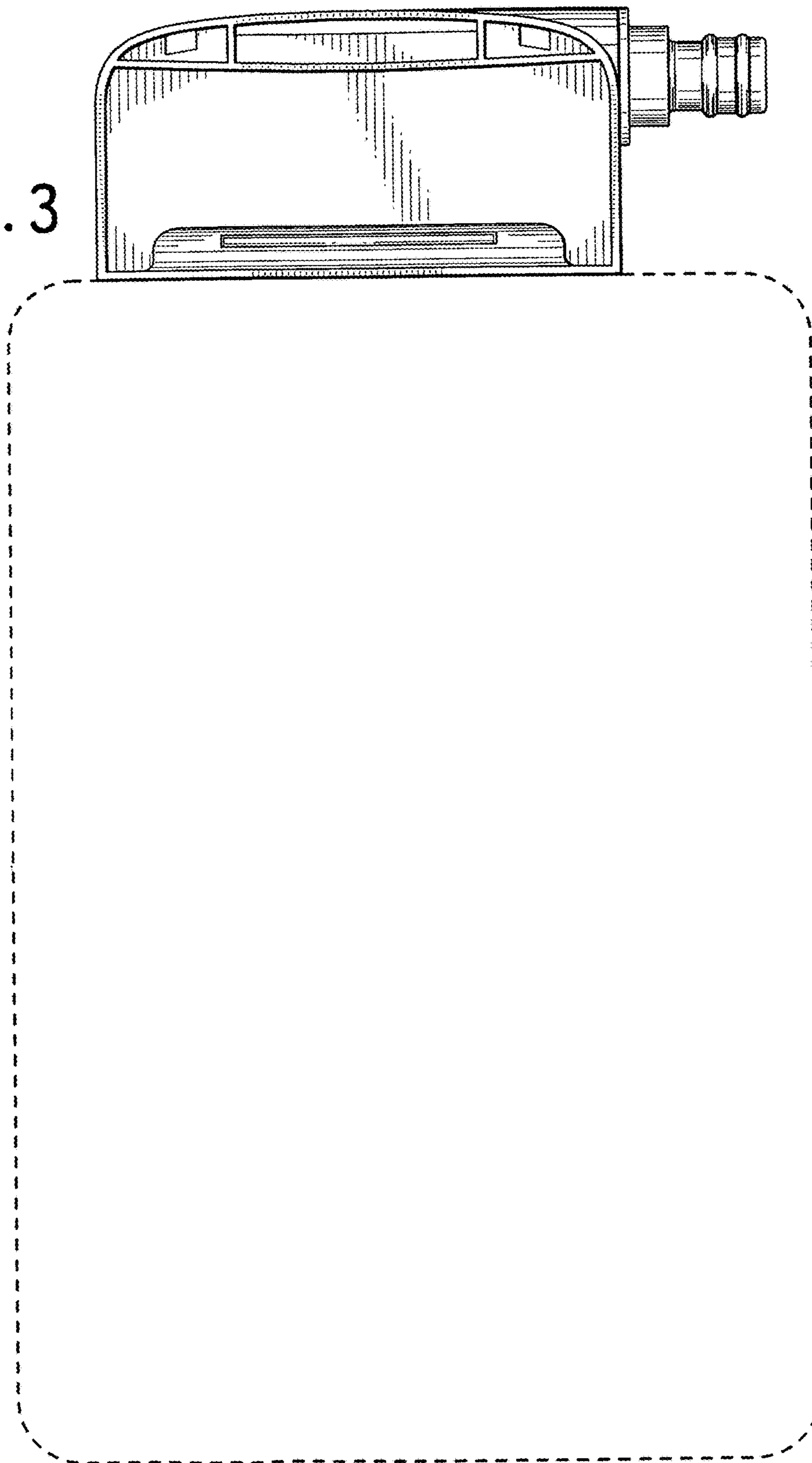


FIG. 2

FIG. 3



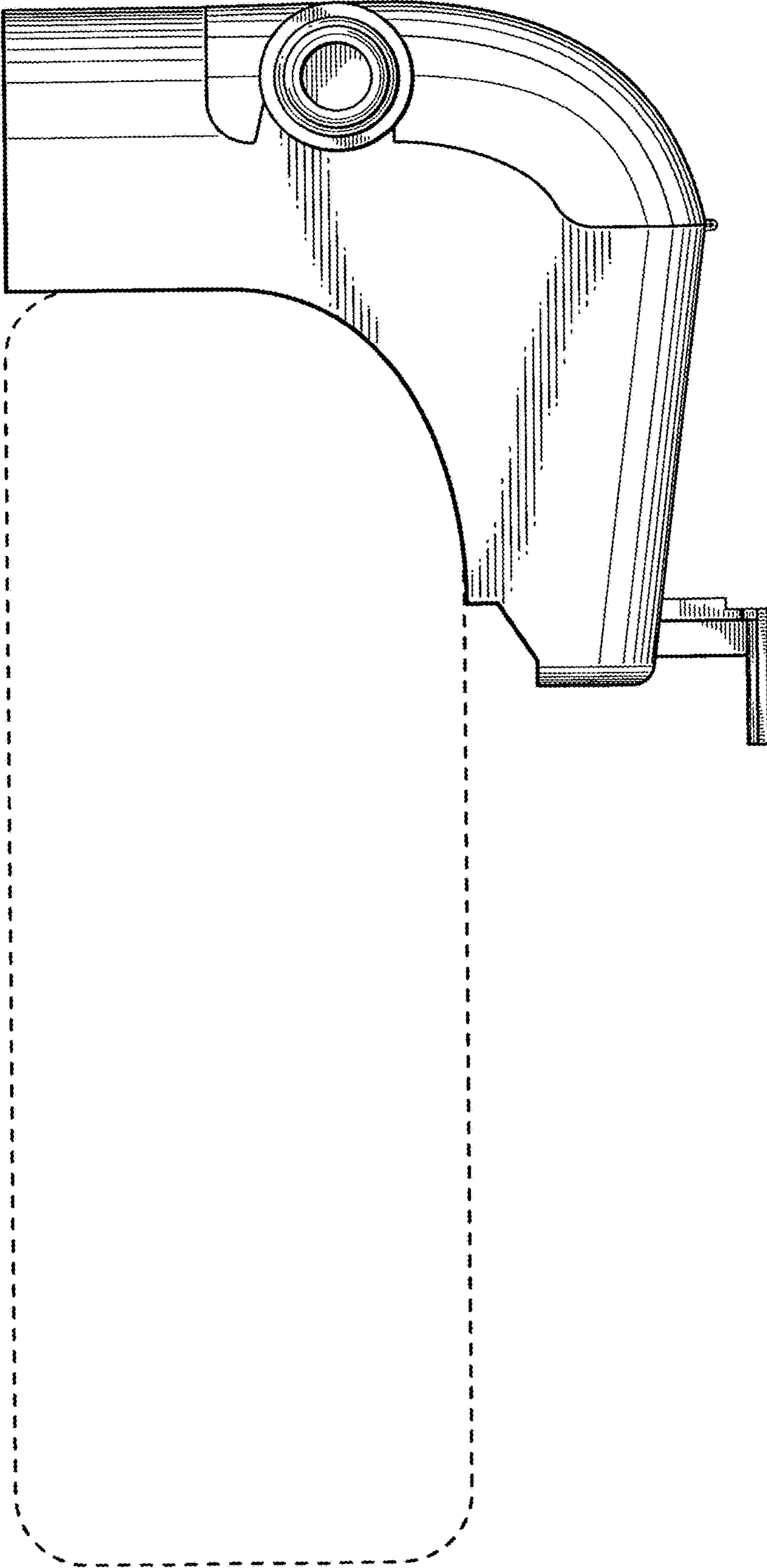


FIG. 4

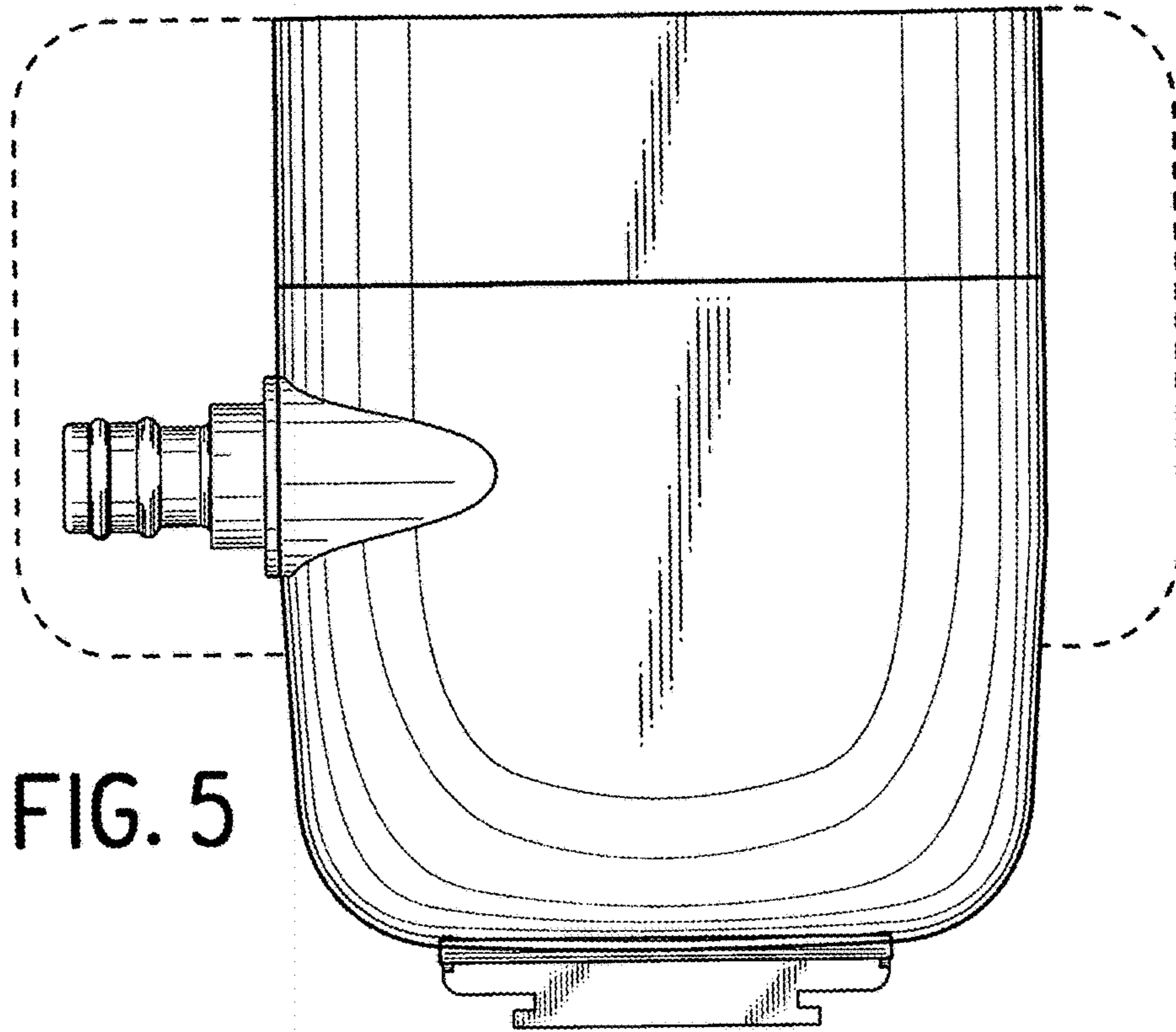


FIG. 5

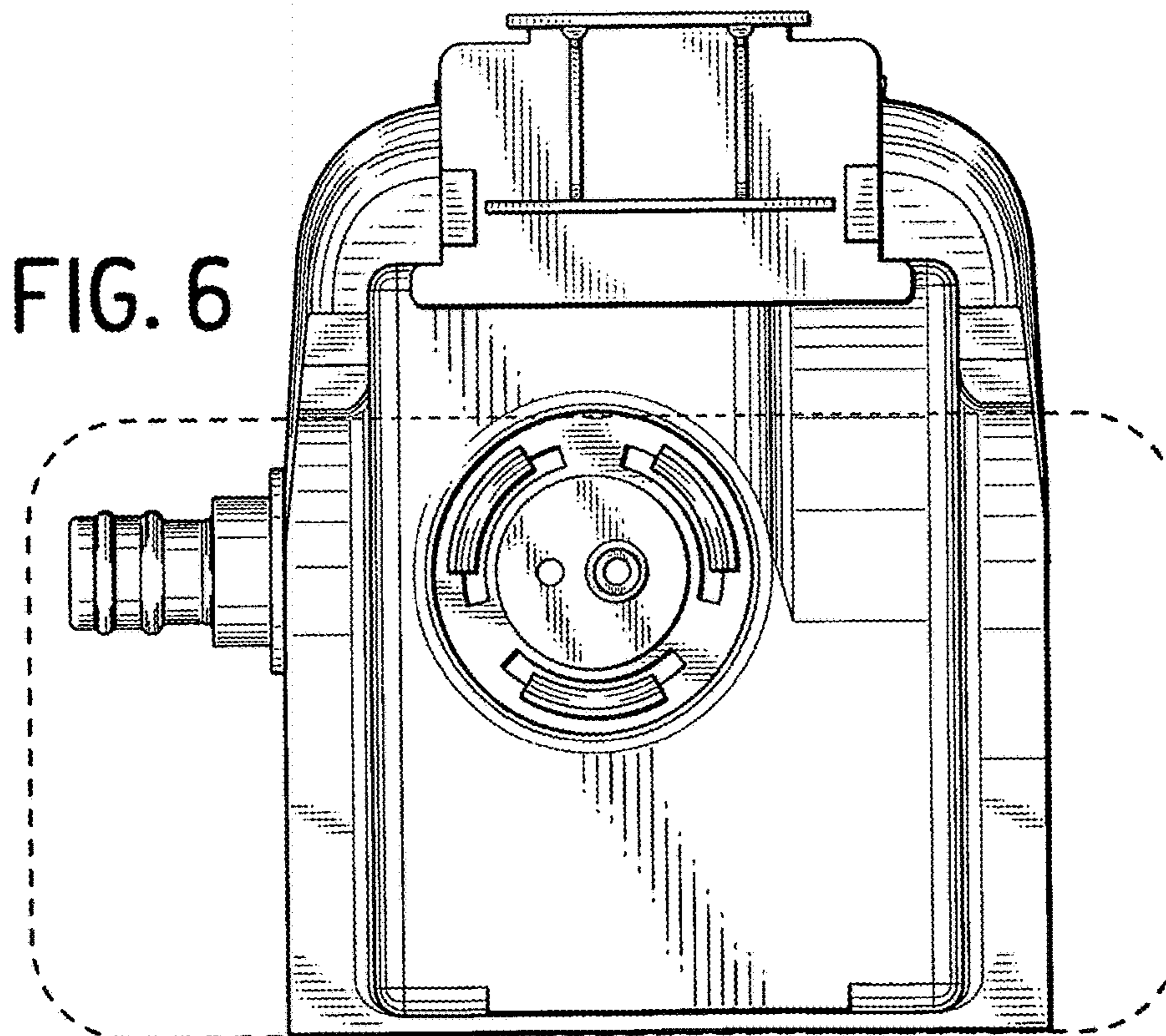


FIG. 6

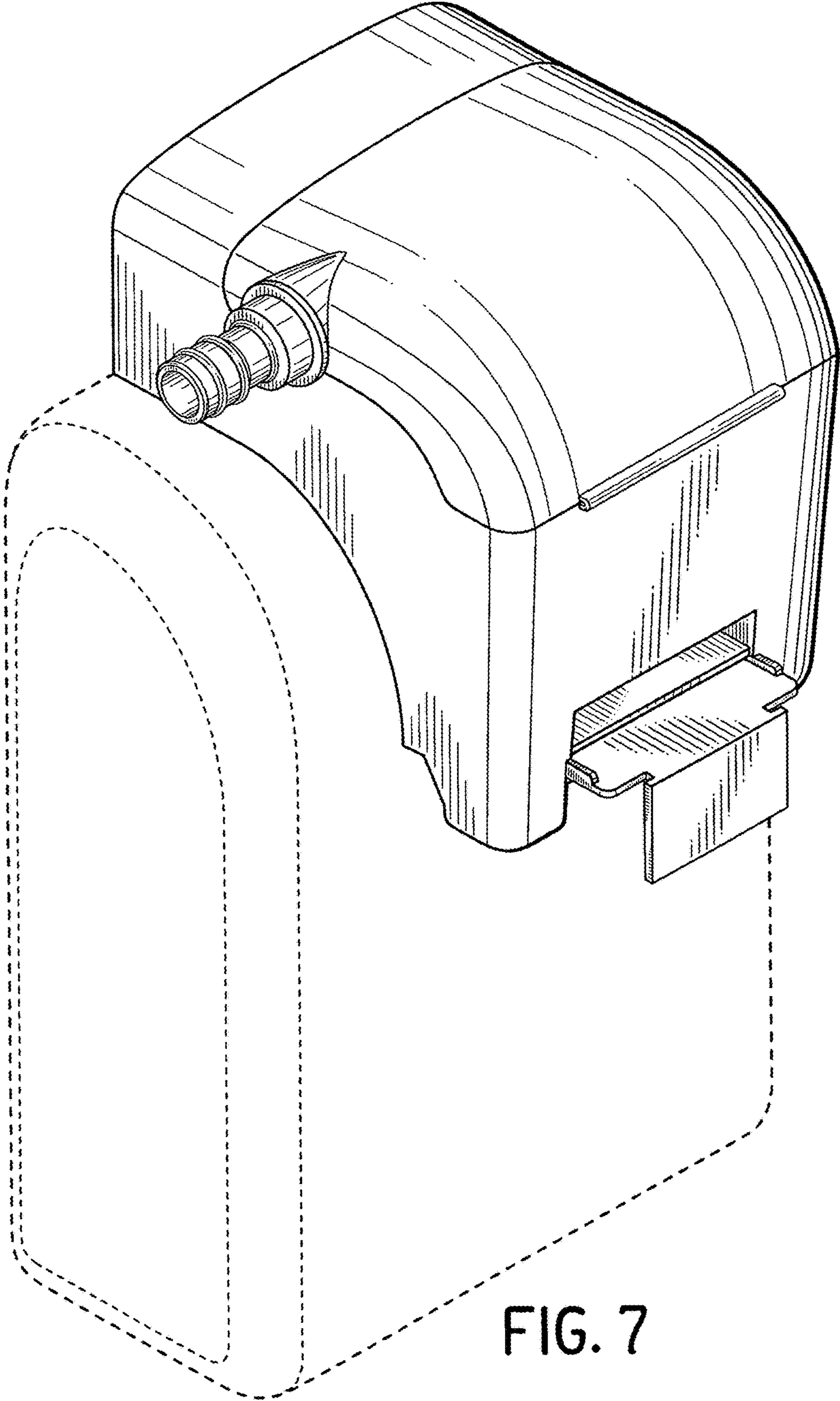
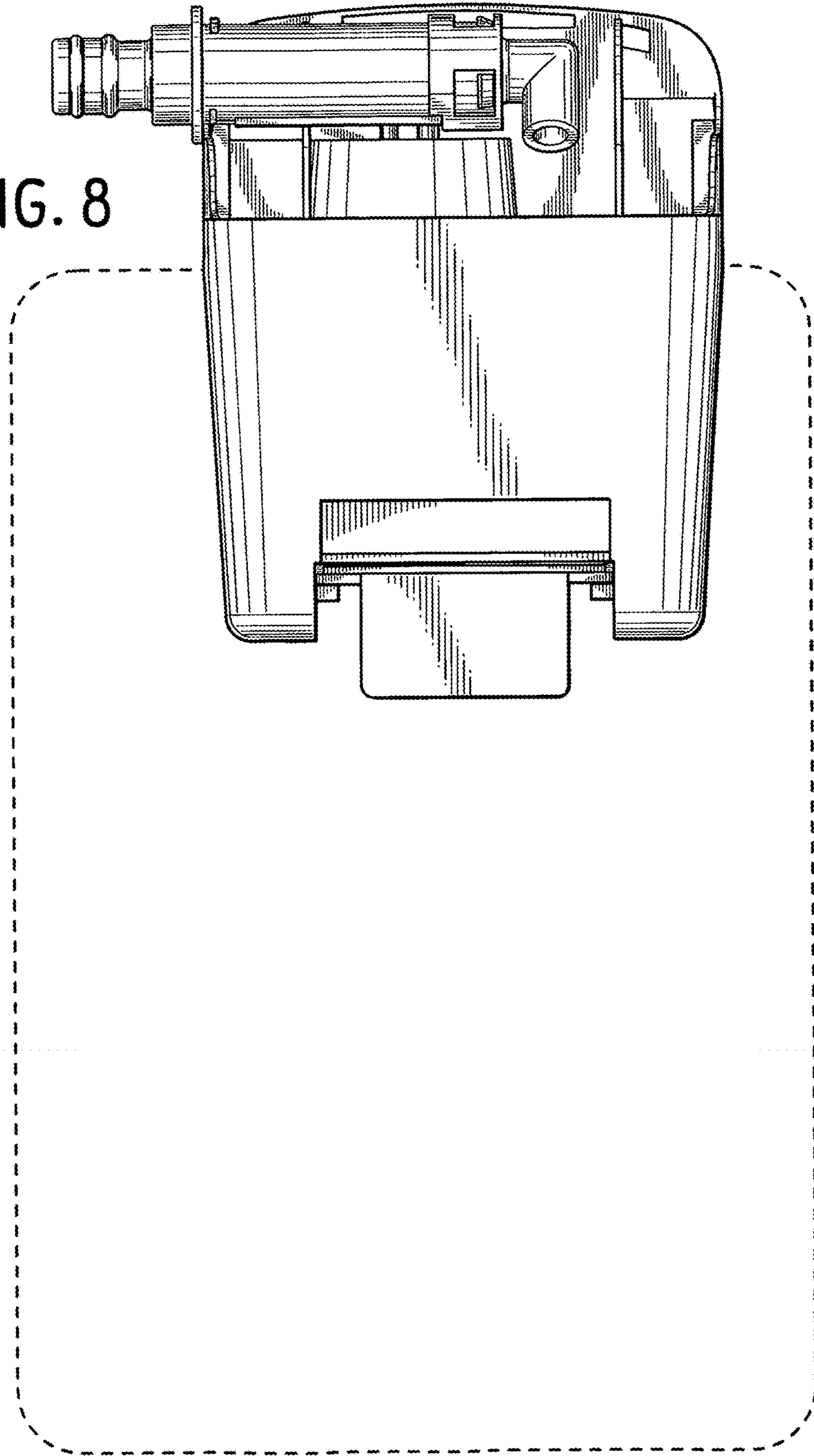


FIG. 7

FIG. 8



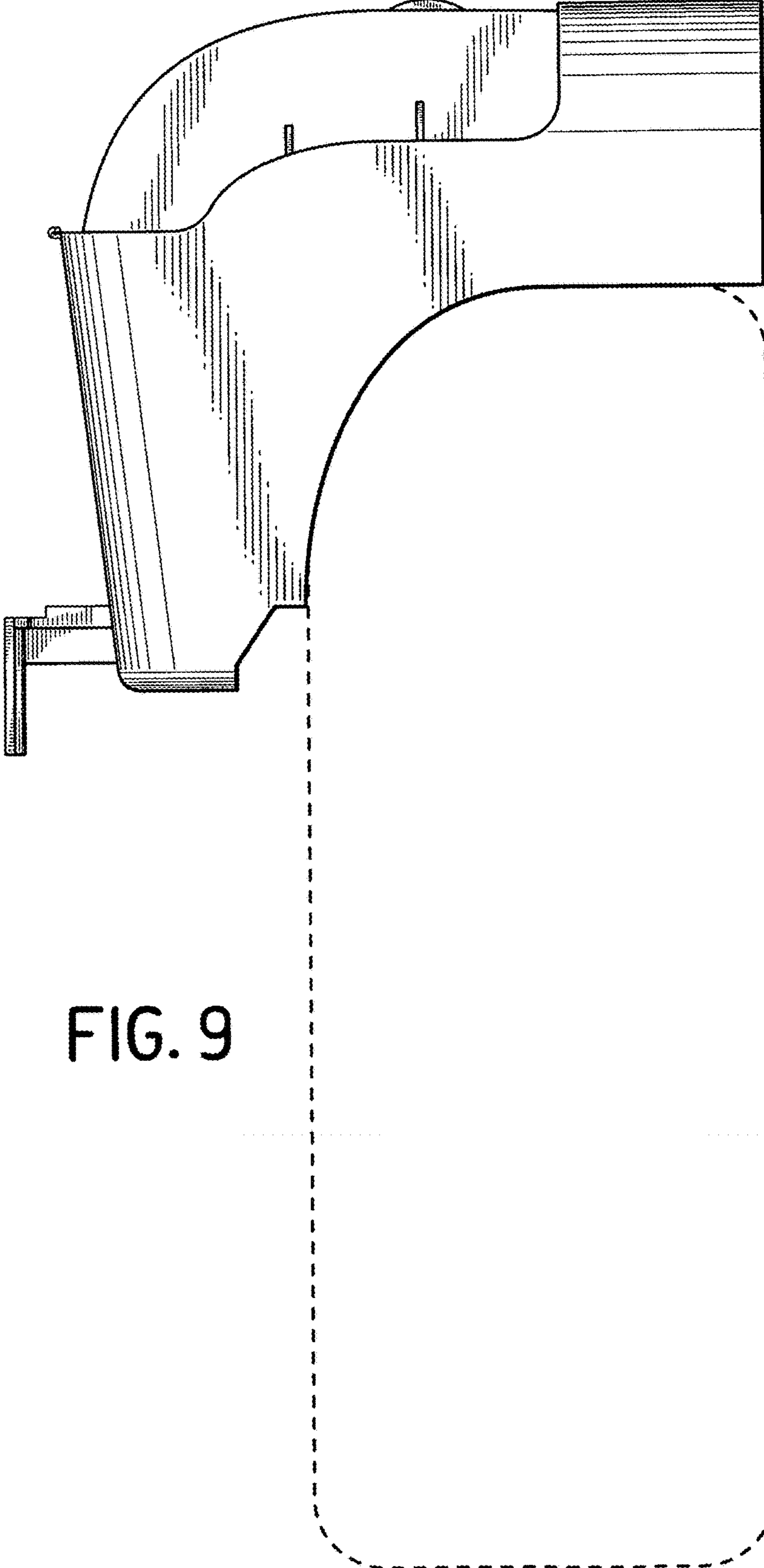
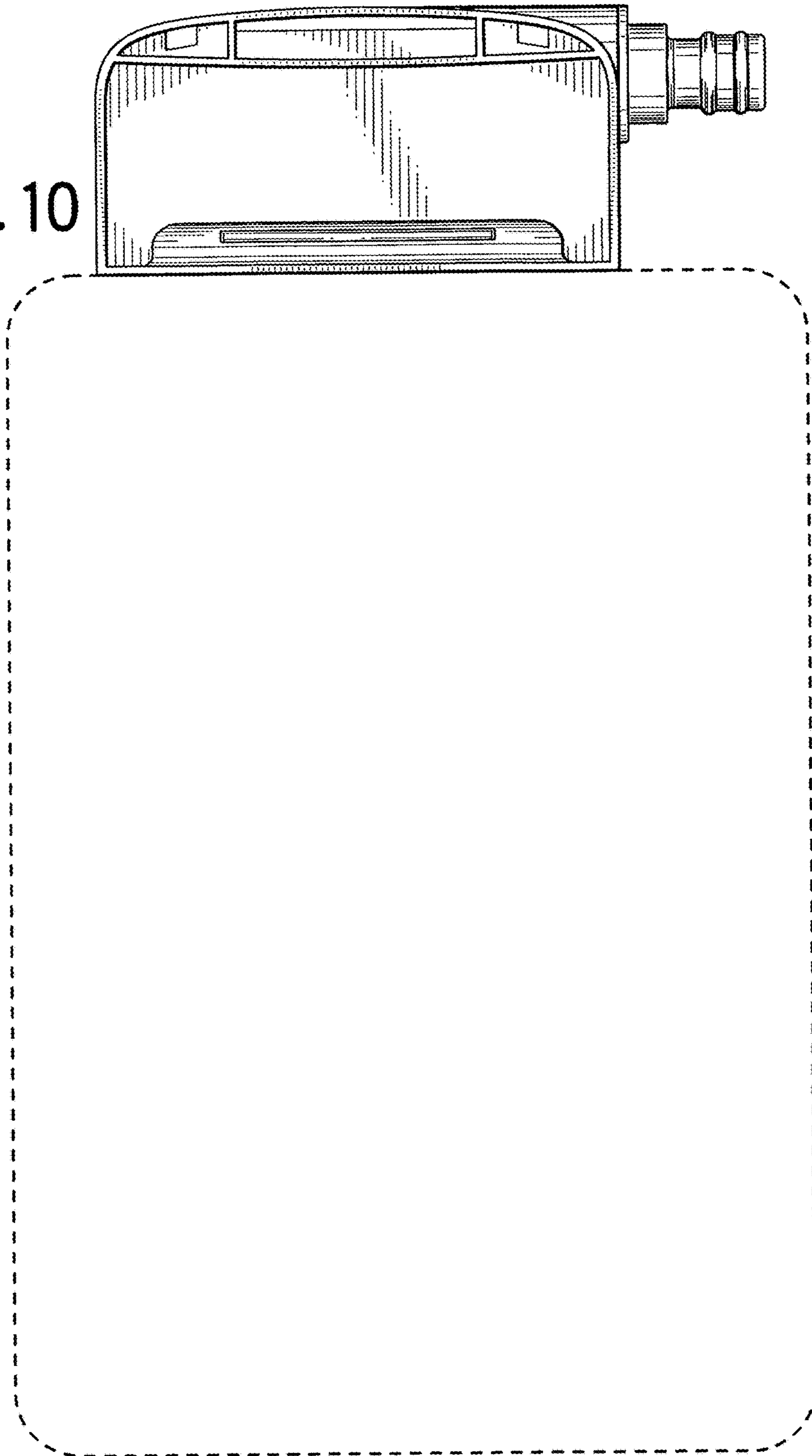


FIG. 9

FIG. 10



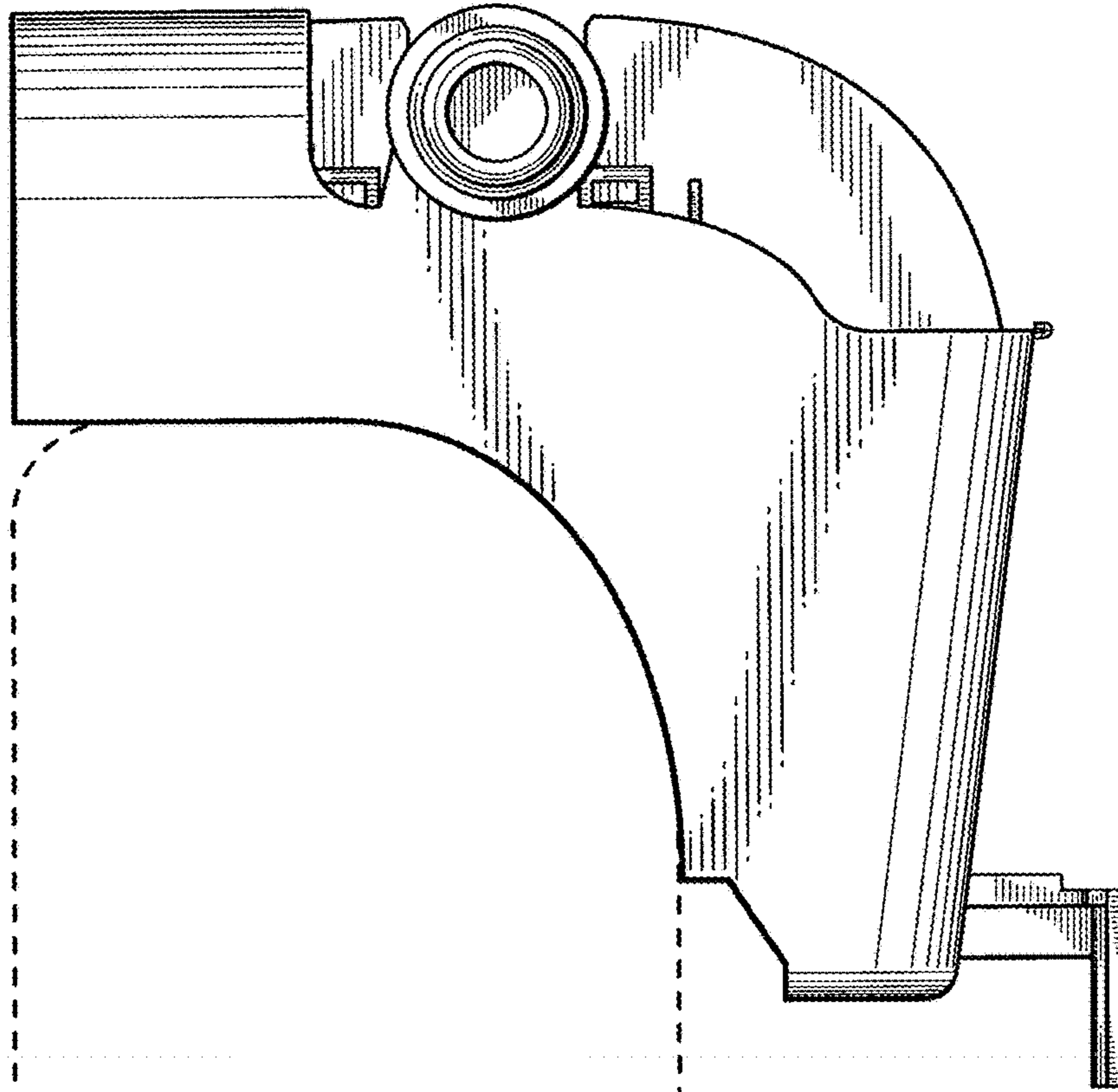
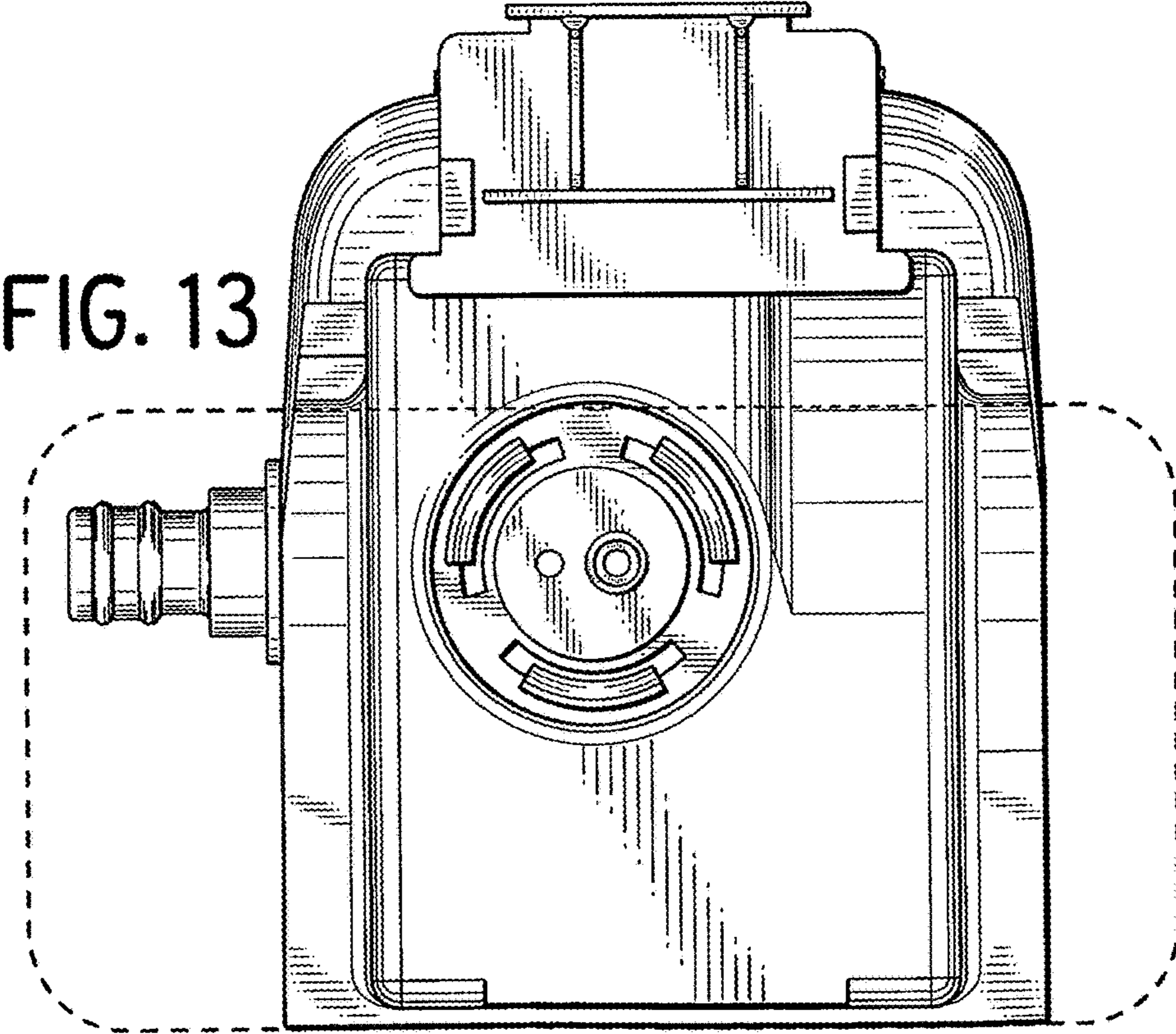
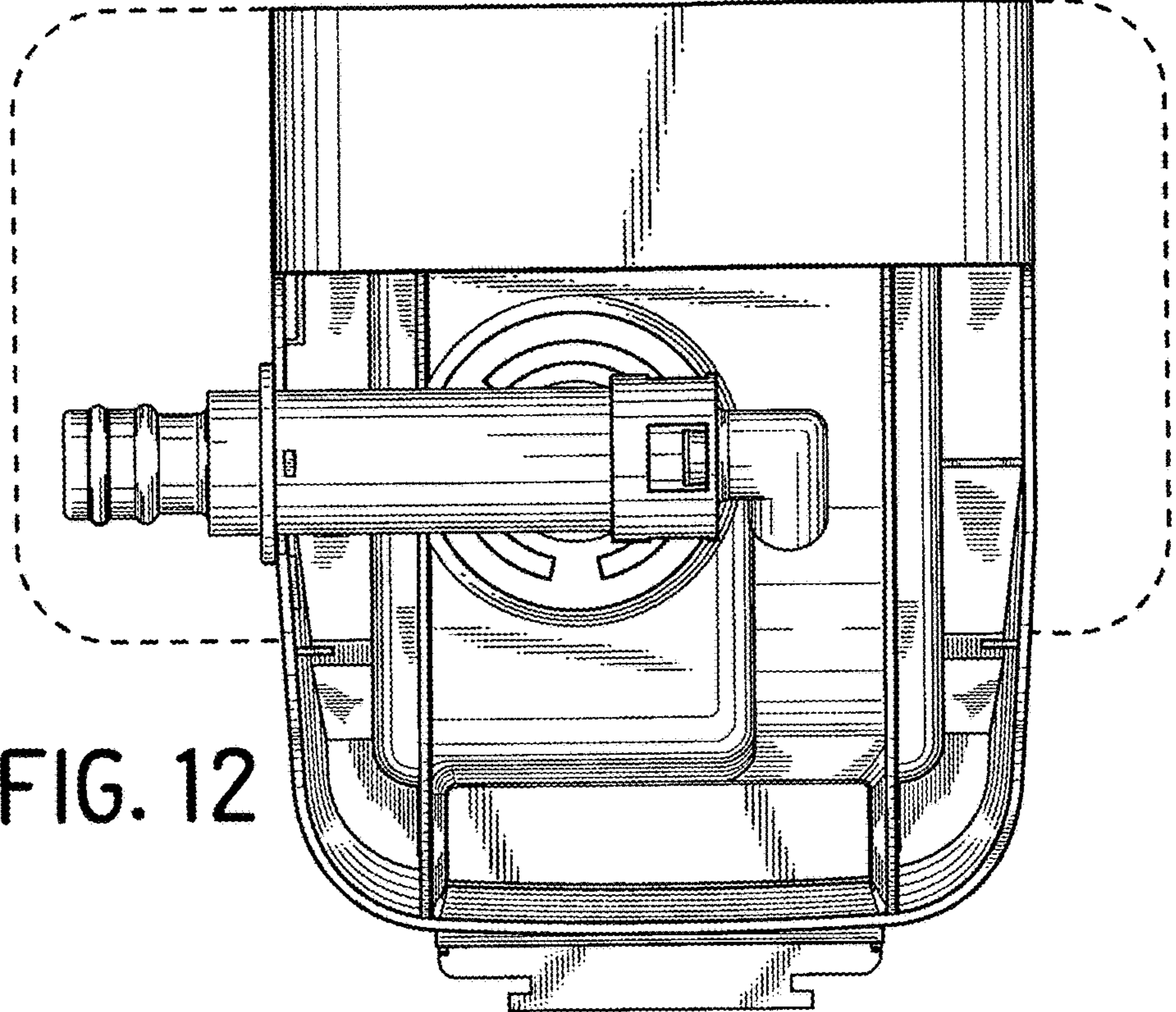
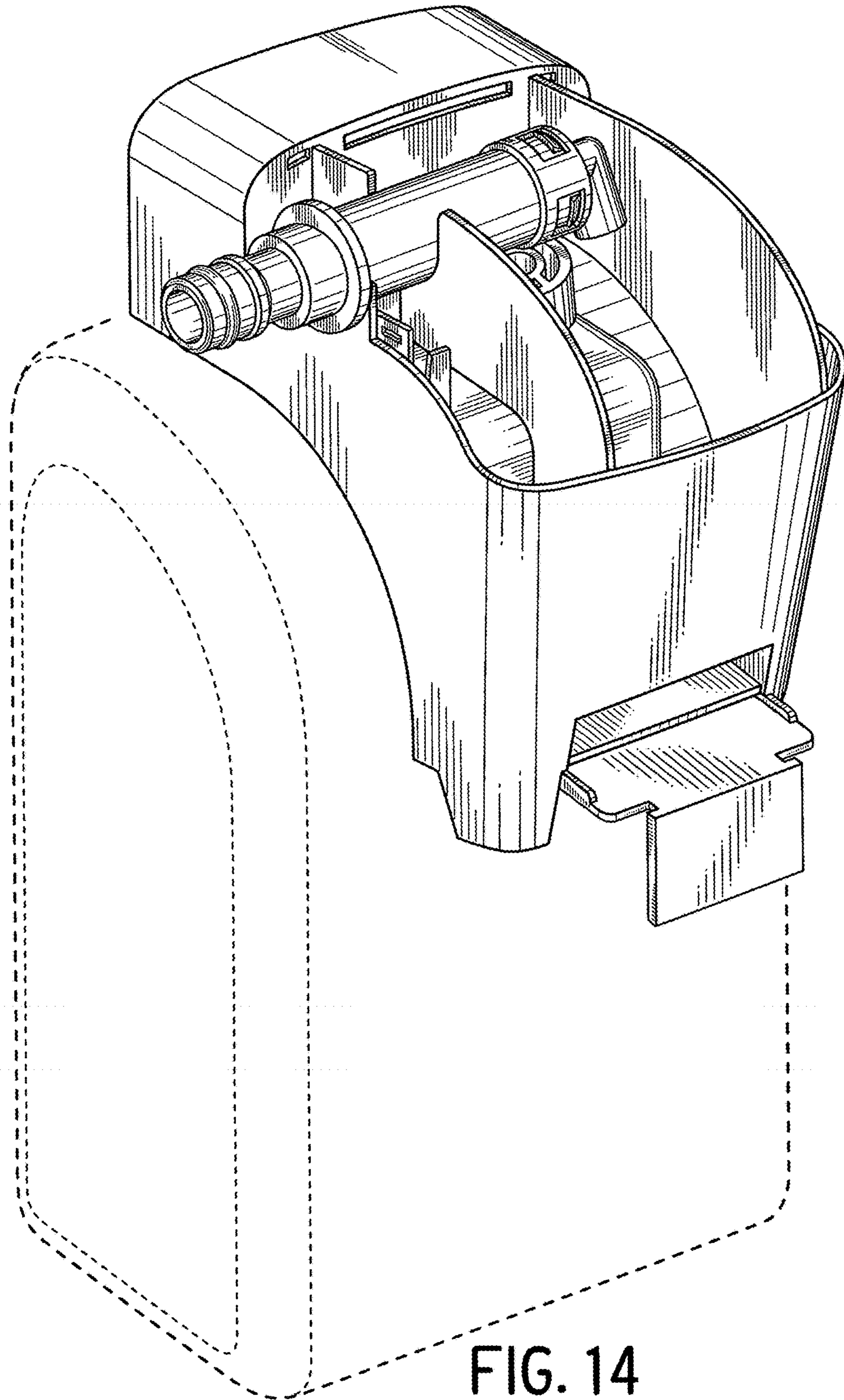


FIG. 11





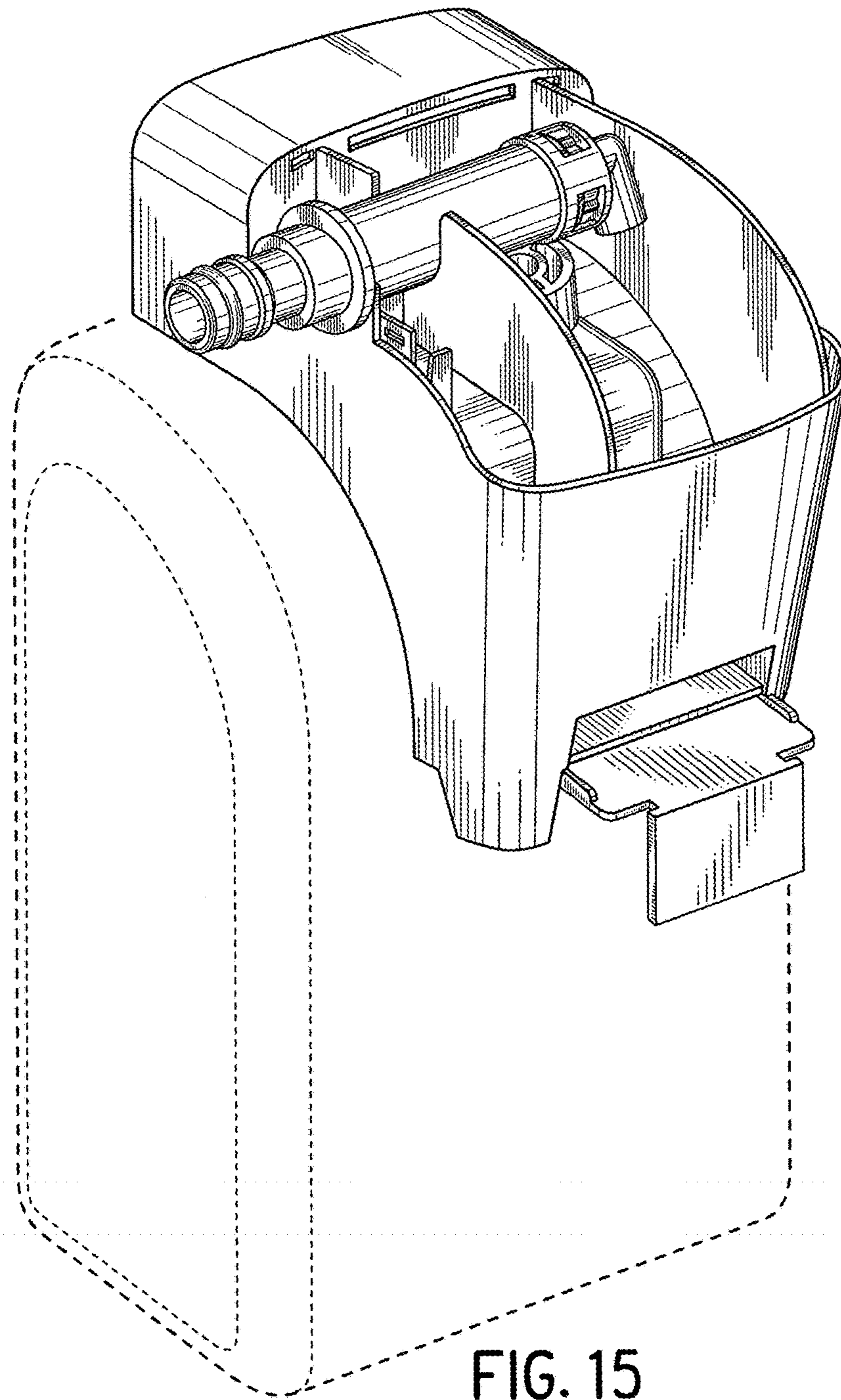


FIG. 15