



US00D791905S

(12) **United States Design Patent**
Parent et al.

(10) **Patent No.:** **US D791,905 S**
(45) **Date of Patent:** **** Jul. 11, 2017**

- (54) **YELLOW JACKET BAIT HOUSE**
- (71) Applicants: **Michael John Parent**, Cumming, GA (US); **Frederick Arthur Matthews**, Hoschton, GA (US)
- (72) Inventors: **Michael John Parent**, Cumming, GA (US); **Frederick Arthur Matthews**, Hoschton, GA (US)

D374,704 S * 10/1996 Rimback D22/122
 5,685,109 A * 11/1997 Rimback A01M 1/2005
 43/107
 D451,573 S * 12/2001 Clark, III D22/122
 D521,102 S * 5/2006 Hoyes D22/122
 8,793,927 B2 * 8/2014 Winkler A01M 1/02
 43/107

- (**) Term: **15 Years**
- (21) Appl. No.: **29/543,718**
- (22) Filed: **Oct. 27, 2015**

* cited by examiner

Primary Examiner — Catheri Oliver-Garcia
(74) *Attorney, Agent, or Firm* — Dodd Call Black, PLLC; Dustin L. Call

Related U.S. Application Data

- (63) Continuation of application No. 14/133,494, filed on Dec. 18, 2013, now abandoned.
- (51) **LOC (10) Cl.** **22-06**
- (52) **U.S. Cl.**
USPC **D22/122**
- (58) **Field of Classification Search**
USPC D22/119–124; 43/107, 114–115, 122, 43/131; 229/109, 120, 183, 186
CPC A01M 1/02; A01M 1/10; A01M 1/14; A01M 1/2005
See application file for complete search history.

(57) **CLAIM**

The ornamental design for a yellow jacket bait house, as shown and described.

DESCRIPTION

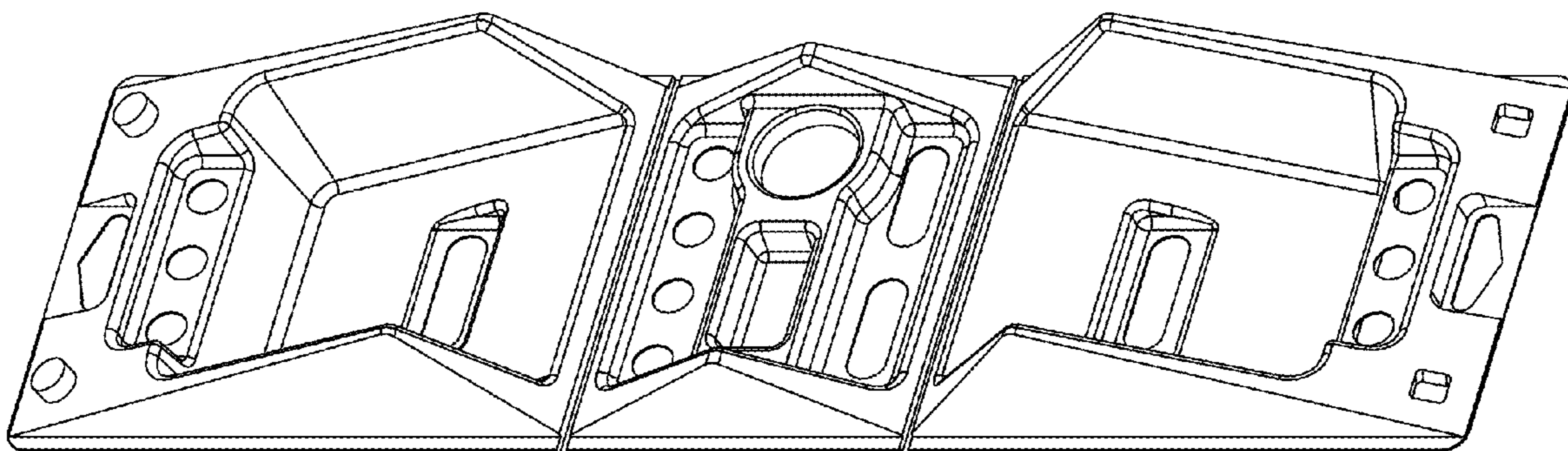
FIG. 1 illustrates a top view of an unfolded yellow jacket bait house;
 FIG. 2 illustrates a front view of an unfolded yellow jacket bait house;
 FIG. 3 illustrates a side view of an unfolded yellow jacket bait house;
 FIG. 4 illustrates a top perspective view of an unfolded yellow jacket bait house;
 FIG. 5 illustrates a side view of a folded yellow jacket bait house; and,
 FIG. 6 illustrates a front view of a folded yellow jacket bait house.

(56) **References Cited**

U.S. PATENT DOCUMENTS

D306,061 S * 2/1990 Cutter D22/122
 D347,676 S * 6/1994 Van Wallendael D22/119

1 Claim, 6 Drawing Sheets



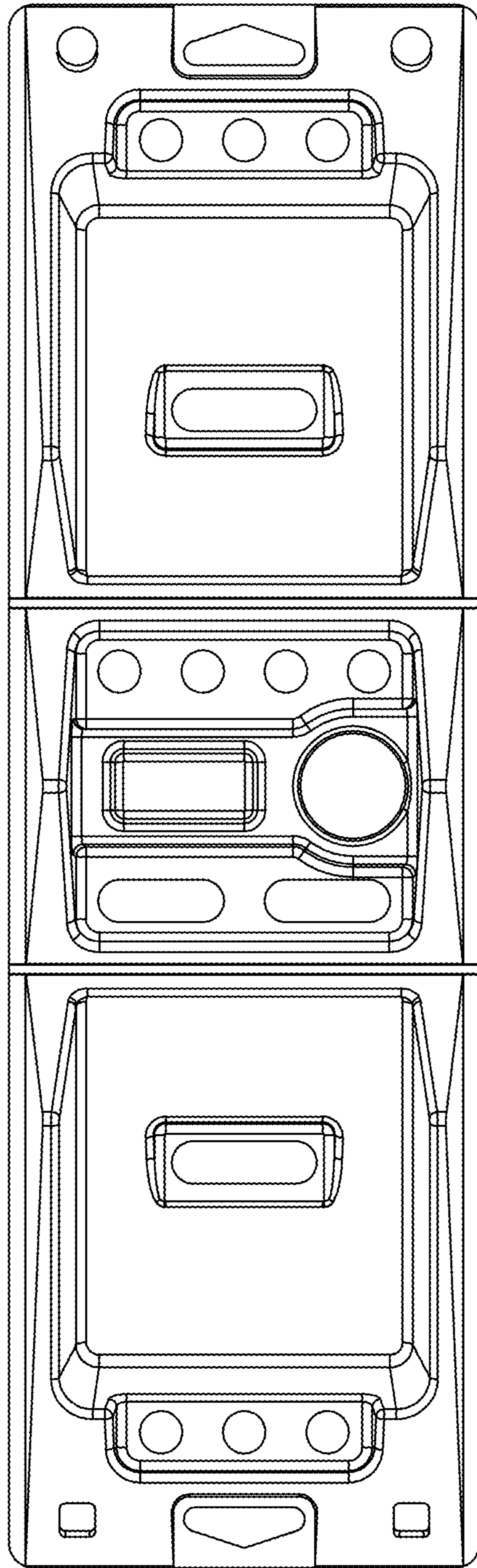


FIG. 1

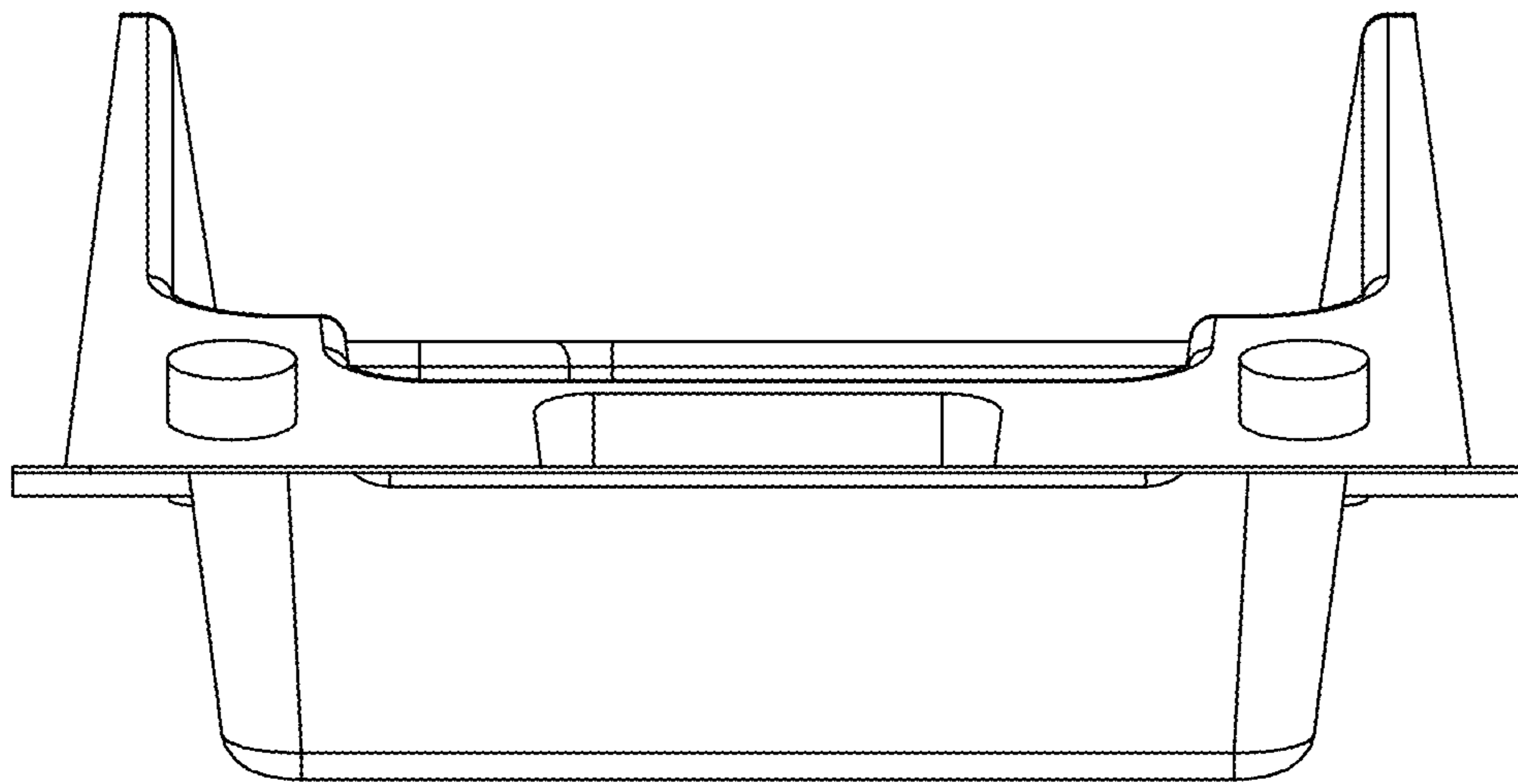


FIG. 2

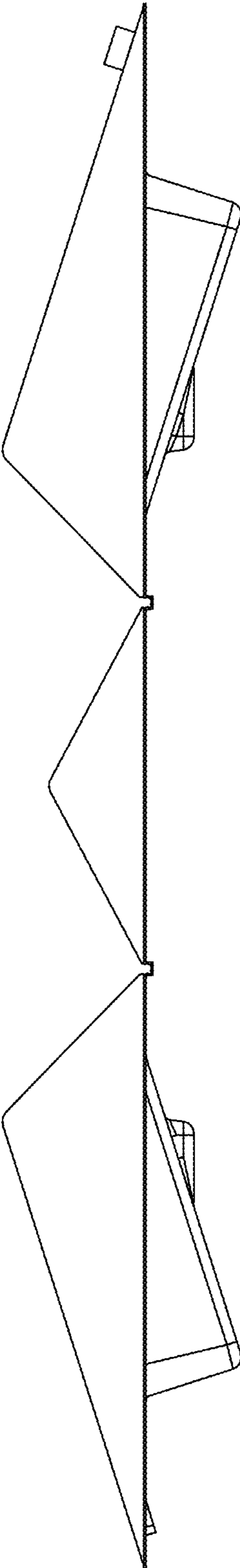


FIG. 3

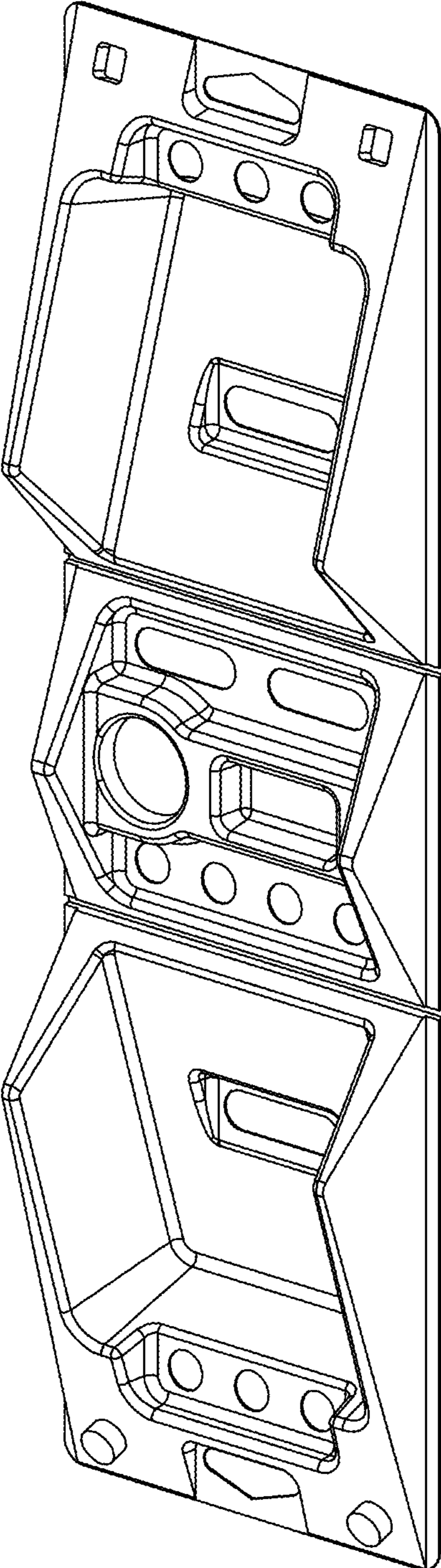


FIG. 4

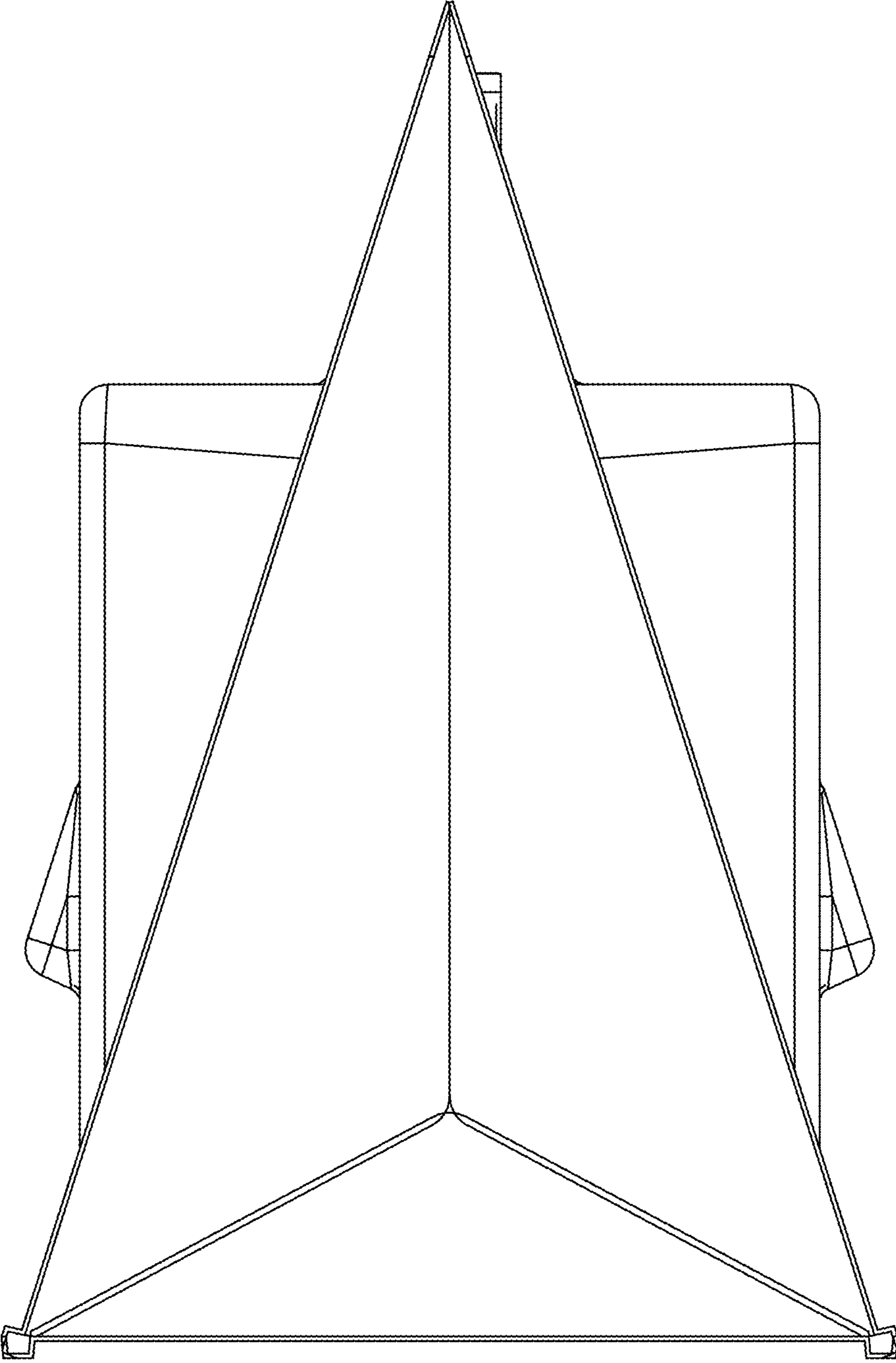


FIG. 5

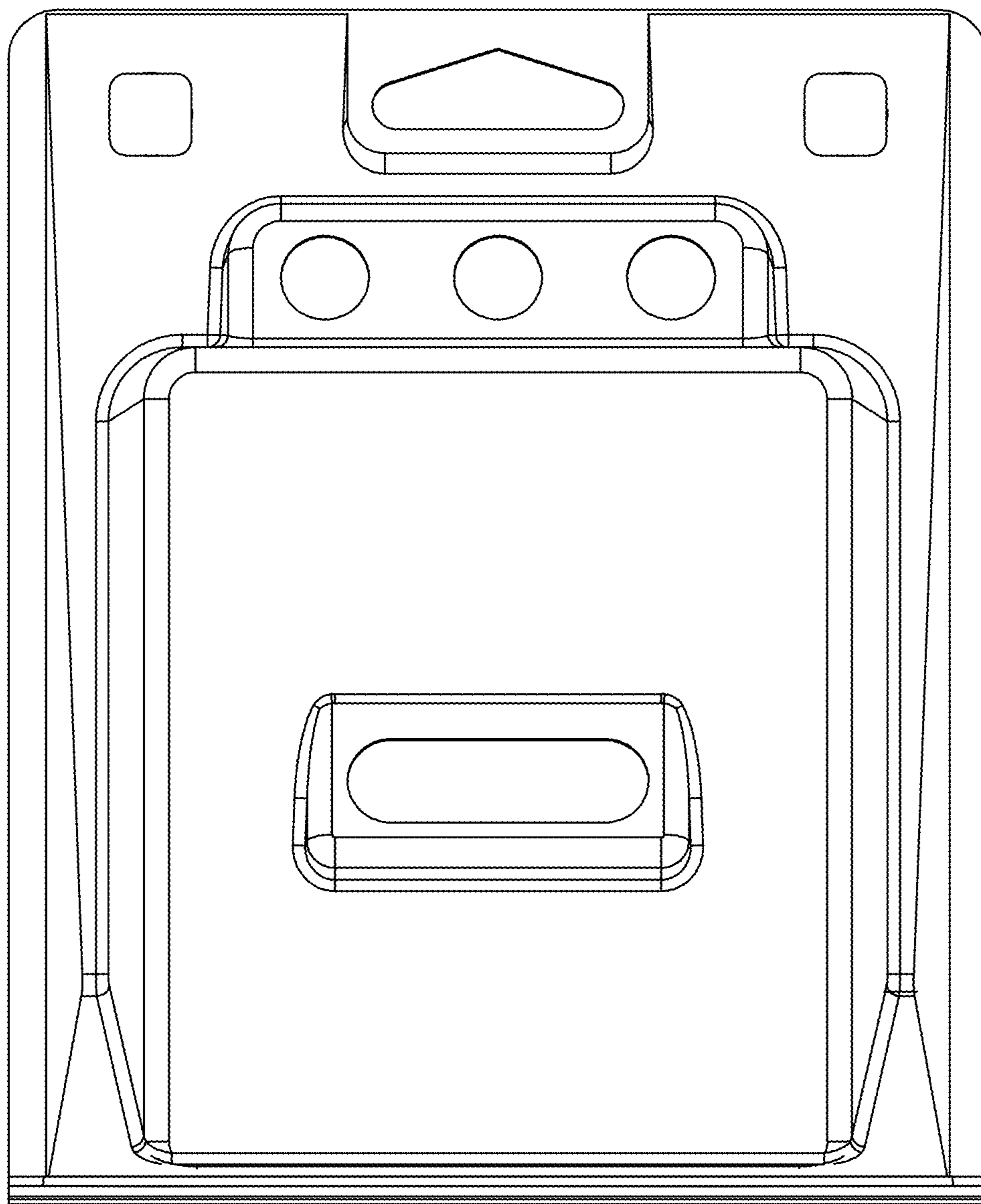


FIG. 6