



US00D791903S

(12) **United States Design Patent**  
**Gale et al.**

(10) **Patent No.:** **US D791,903 S**  
(45) **Date of Patent:** **\*\* Jul. 11, 2017**

(54) **FIREARM ACCESSORY ADAPTER**

(71) Applicant: **Chambermax L.L.C.**, Blaine, MN  
(US)

(72) Inventors: **Brian D. Gale**, Blaine, MN (US);  
**David A. Sohm**, Grantsburg, MN (US)

(73) Assignee: **Chambermax L. L. C.**, Minneapolis,  
MN (US)

(\*\*) Term: **15 Years**

(21) Appl. No.: **29/559,936**

(22) Filed: **Apr. 1, 2016**

**Related U.S. Application Data**

(63) Continuation of application No. 14/243,495, filed on  
Apr. 2, 2014, now Pat. No. 9,328,991.

(51) **LOC (10) Cl.** ..... **22-01**

(52) **U.S. Cl.**  
USPC ..... **D22/108**

(58) **Field of Classification Search**  
USPC ..... D22/104, 108

(Continued)

(56) **References Cited**

**U.S. PATENT DOCUMENTS**

6,493,978 B1 12/2002 Perkins  
8,191,301 B2 6/2012 Hatfield

(Continued)

**OTHER PUBLICATIONS**

Application and File history for U.S. Appl. No. 14/243,495, filed  
Apr. 2, 2014. Inventors: Gale et al.

(Continued)

*Primary Examiner* — Michael A Pratt

(74) *Attorney, Agent, or Firm* — Patterson Thuent  
Pedersen, P.A.

(57) **CLAIM**

We claim the ornamental design for firearm accessory  
adapter, as shown and described.

**DESCRIPTION**

FIG. 1 is a top, perspective left rear view of a firearm  
accessory adapter according to an embodiment of the inven-  
tion.

FIG. 2 is a top, perspective right rear view of the firearm  
accessory adapter of FIG. 1.

FIG. 3 is a top, perspective left front view of the firearm  
accessory adapter of FIG. 1.

FIG. 4 is a top, perspective right front view of the firearm  
accessory adapter of FIG. 1.

FIG. 5 is a front, end view of the firearm accessory adapter  
of FIG. 1.

FIG. 6 is a rear, end view of the firearm accessory adapter  
of FIG. 1.

FIG. 7 is a right side view of the firearm accessory adapter  
of FIG. 1.

FIG. 8 is a left side view of the firearm accessory adapter of  
FIG. 1.

FIG. 9 is a top view of the firearm accessory adapter of FIG.  
1.

FIG. 10 is a bottom view of the firearm accessory adapter of  
FIG. 1.

FIG. 11 is a bottom, perspective right front view of the  
firearm accessory adapter of FIG. 1.

FIG. 12 is a bottom, perspective left front view of the firearm  
accessory adapter of FIG. 1.

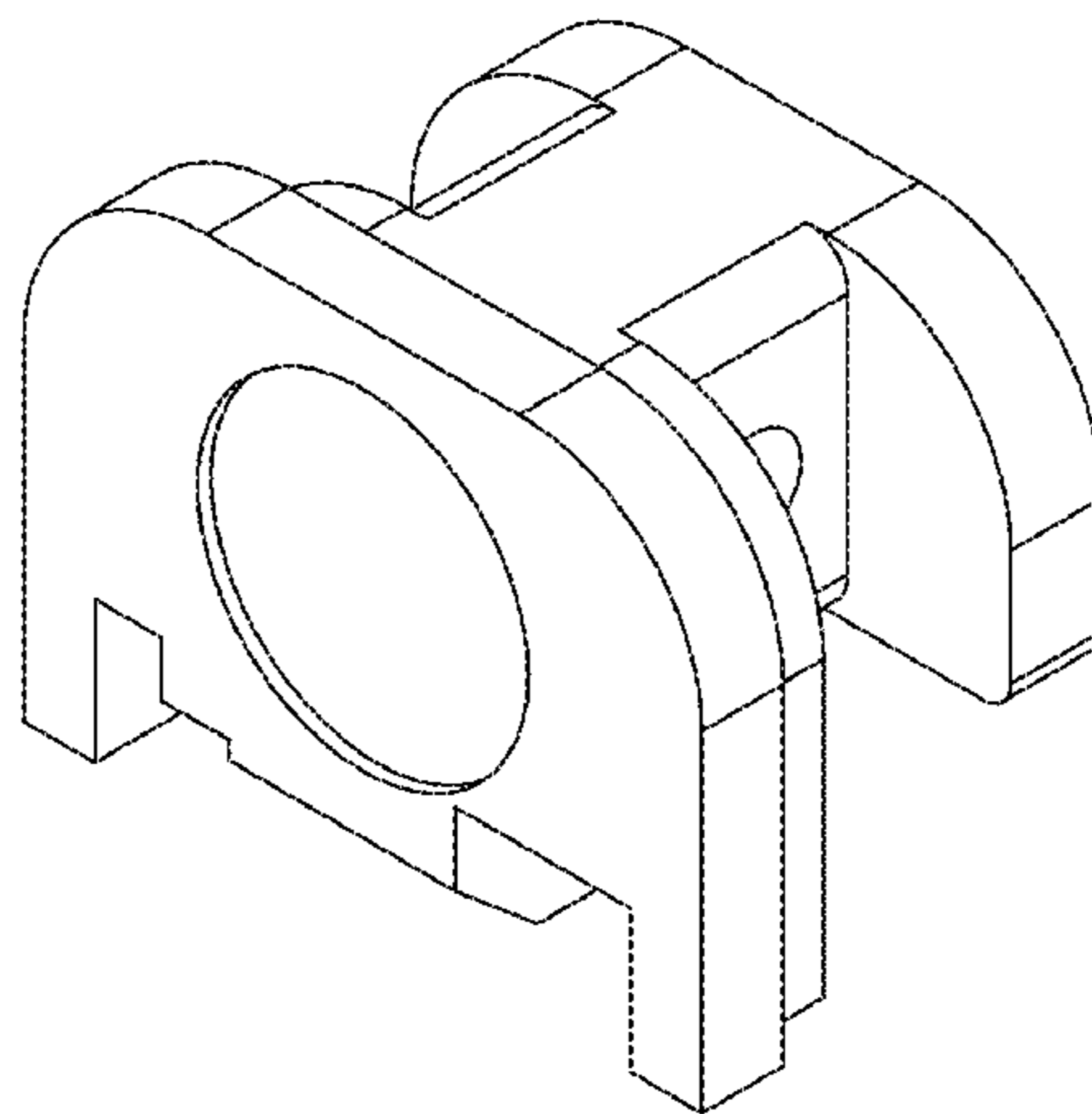
FIG. 13 is a bottom, perspective left rear view of the firearm  
accessory adapter of FIG. 1.

FIG. 14 is a bottom, perspective right rear view of the  
firearm accessory ADAPTER of FIG. 1.

FIG. 15 is a top, perspective right rear view of the firearm  
accessory adapter of FIG. 1 oriented for engagement with a  
pistol slide member; and,

FIG. 16 is a bottom view of the firearm accessory adapter of  
FIG. 1 shown in engagement with a pistol slide member.

(Continued)



Items shown in broken lines are for illustrative purposes only and form no part of the claimed invention.

**1 Claim, 8 Drawing Sheets**

**(58) Field of Classification Search**

CPC ..... F41C 3/14; F41C 3/16; F41C 3/04  
See application file for complete search history.

**(56) References Cited**

U.S. PATENT DOCUMENTS

8,312,803	B2	11/2012	Oz	
8,468,734	B2 *	6/2013	Meller	..... F41A 3/72 42/71.02
9,291,413	B1 *	3/2016	Viani	..... F41C 27/00
D761,374	S *	7/2016	Ellsworth	..... D22/108
2004/0200109	A1	10/2004	Vasquez	
2011/0154710	A1 *	6/2011	Hatfield	..... F41A 19/34 42/90
2012/0198744	A1	8/2012	Meller et al.	
2014/0298703	A1 *	10/2014	Gale	..... F41C 27/00 42/71.02
2015/0354909	A1 *	12/2015	Tarantino	..... F41A 3/72 89/1.4
2016/0349005	A1	12/2016	Gale et al.	

OTHER PUBLICATIONS

Application and File history for U.S. Appl. No. 15/145,080, filed May 3, 2016. Inventors: Gale et al.

\* cited by examiner

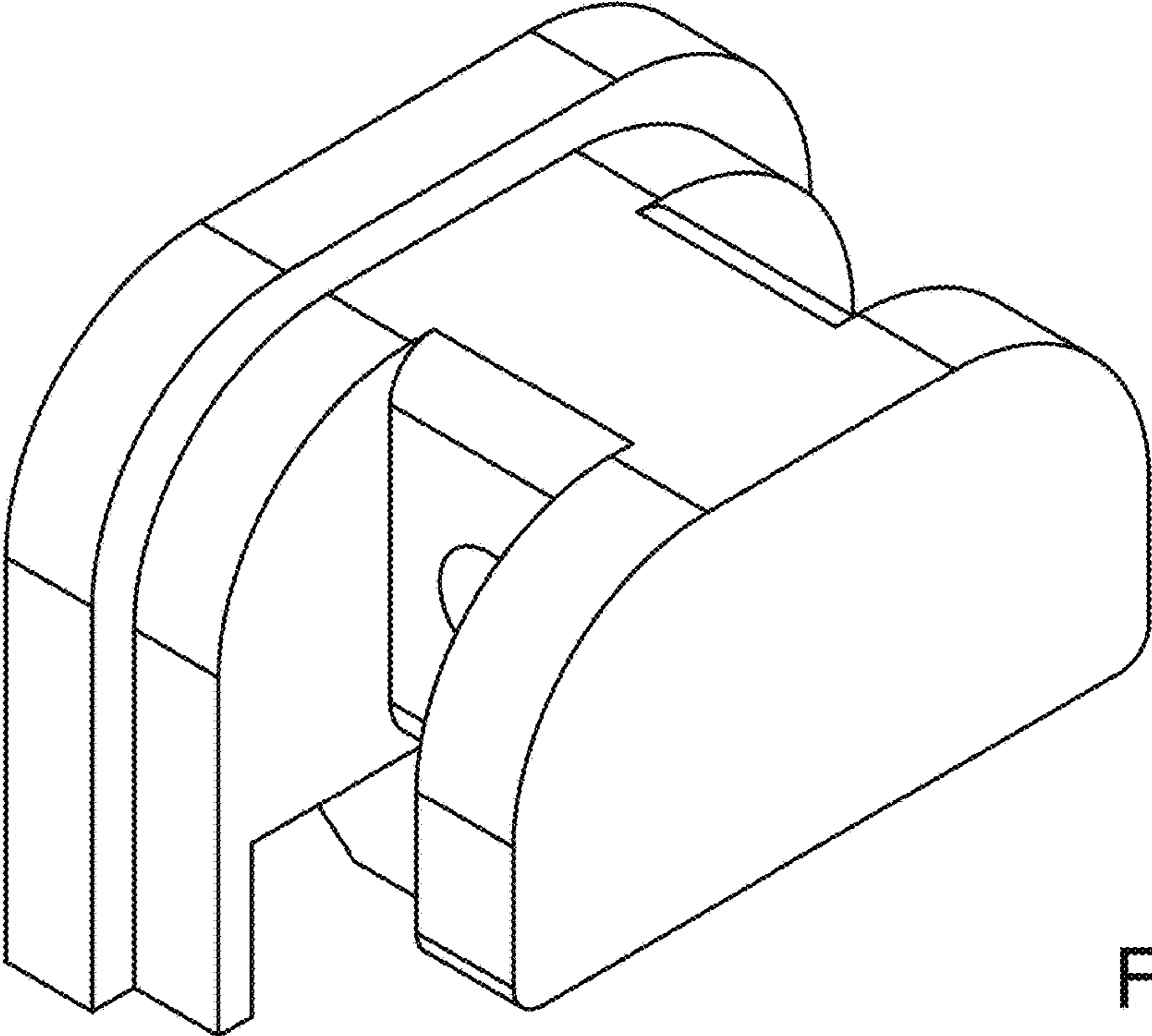


Fig. 1

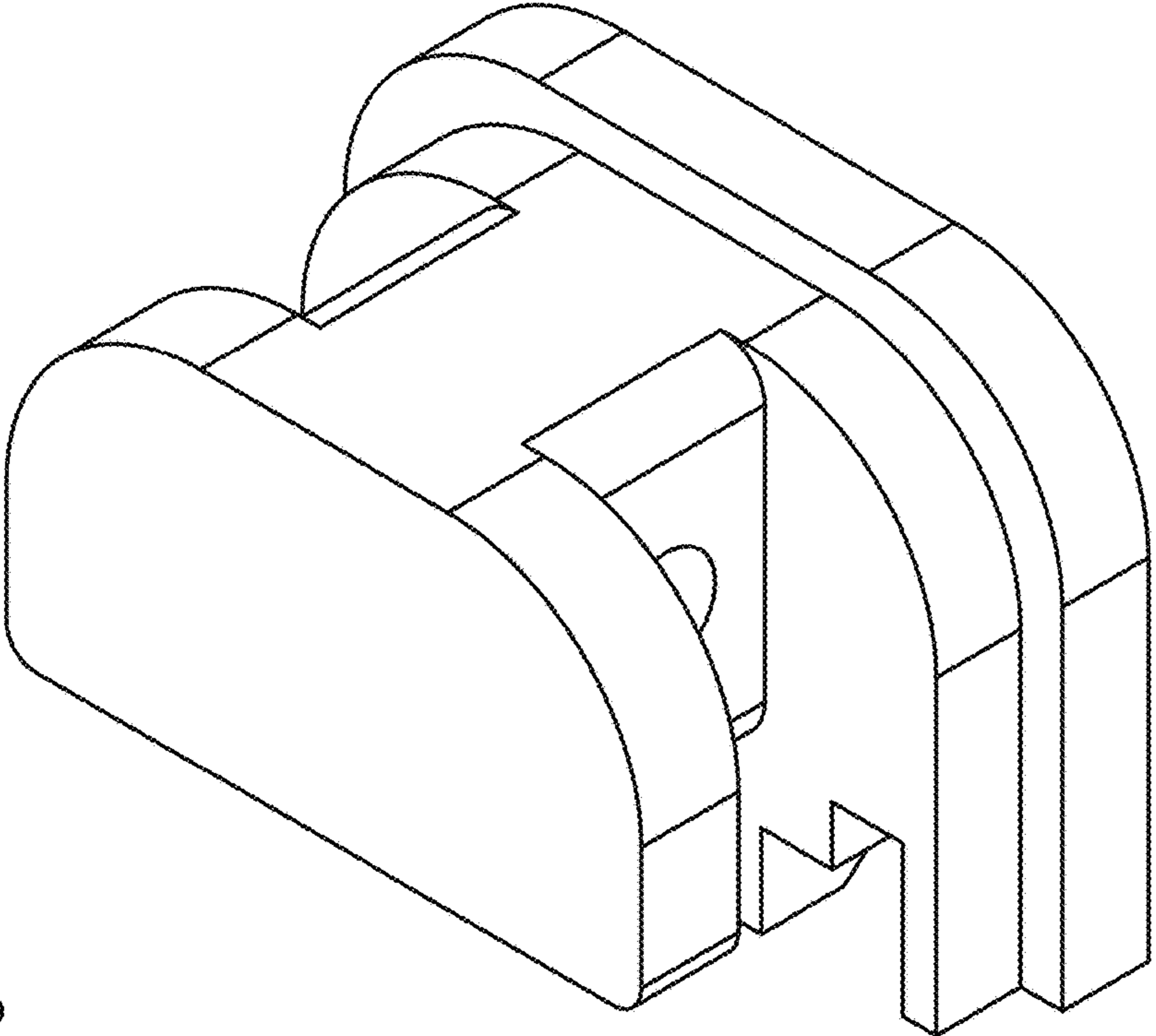


Fig. 2

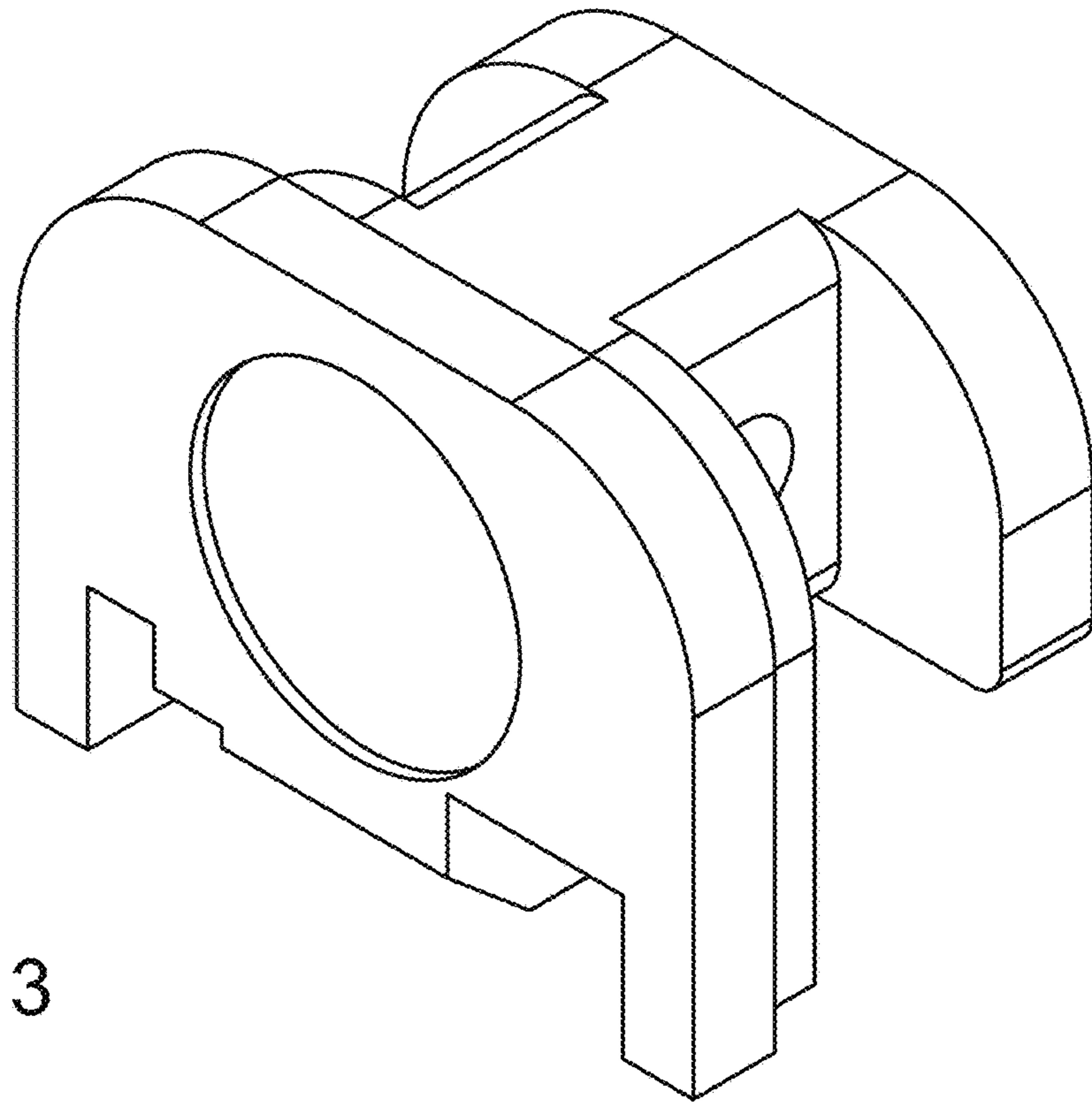


Fig. 3

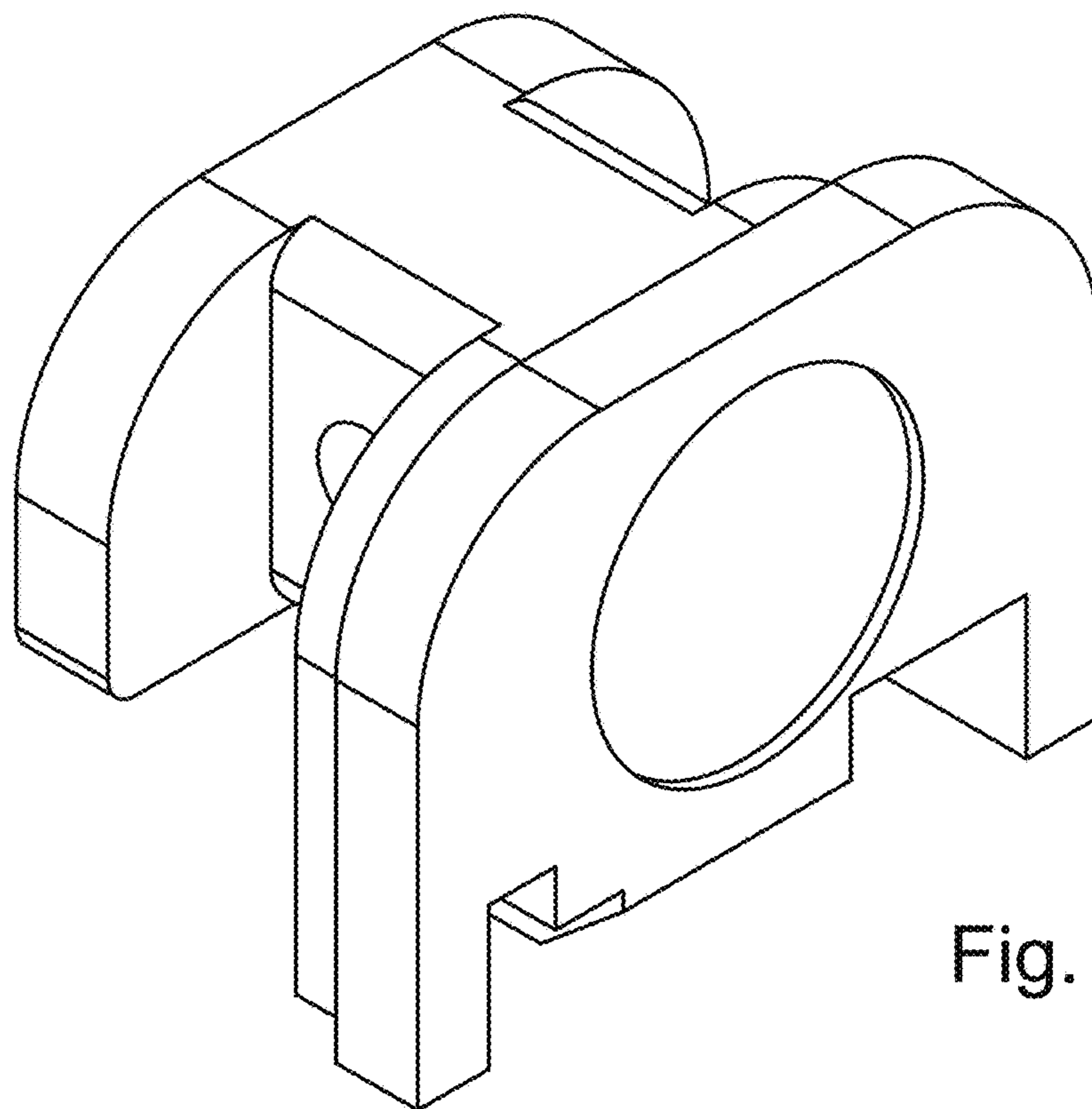


Fig. 4

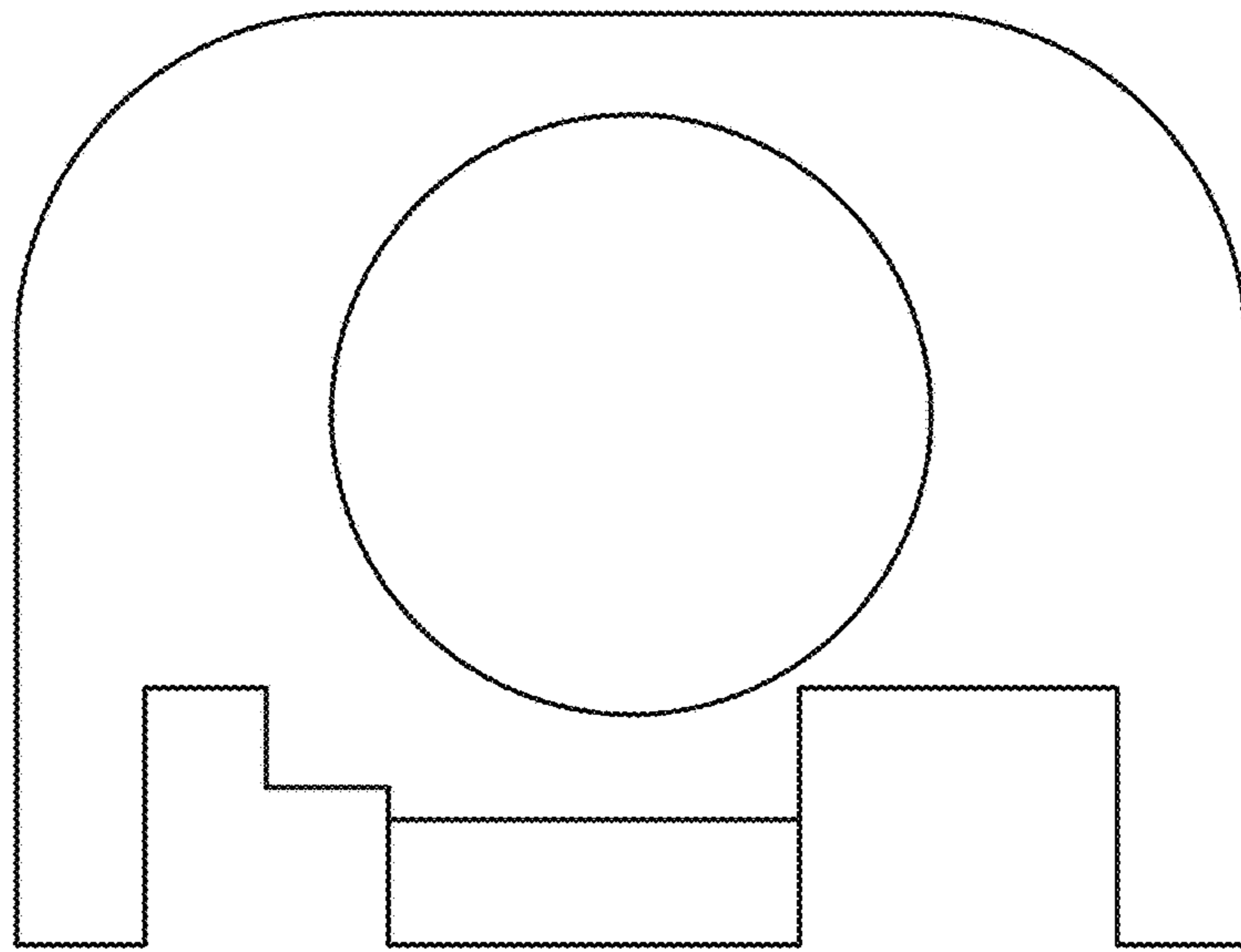


Fig. 5

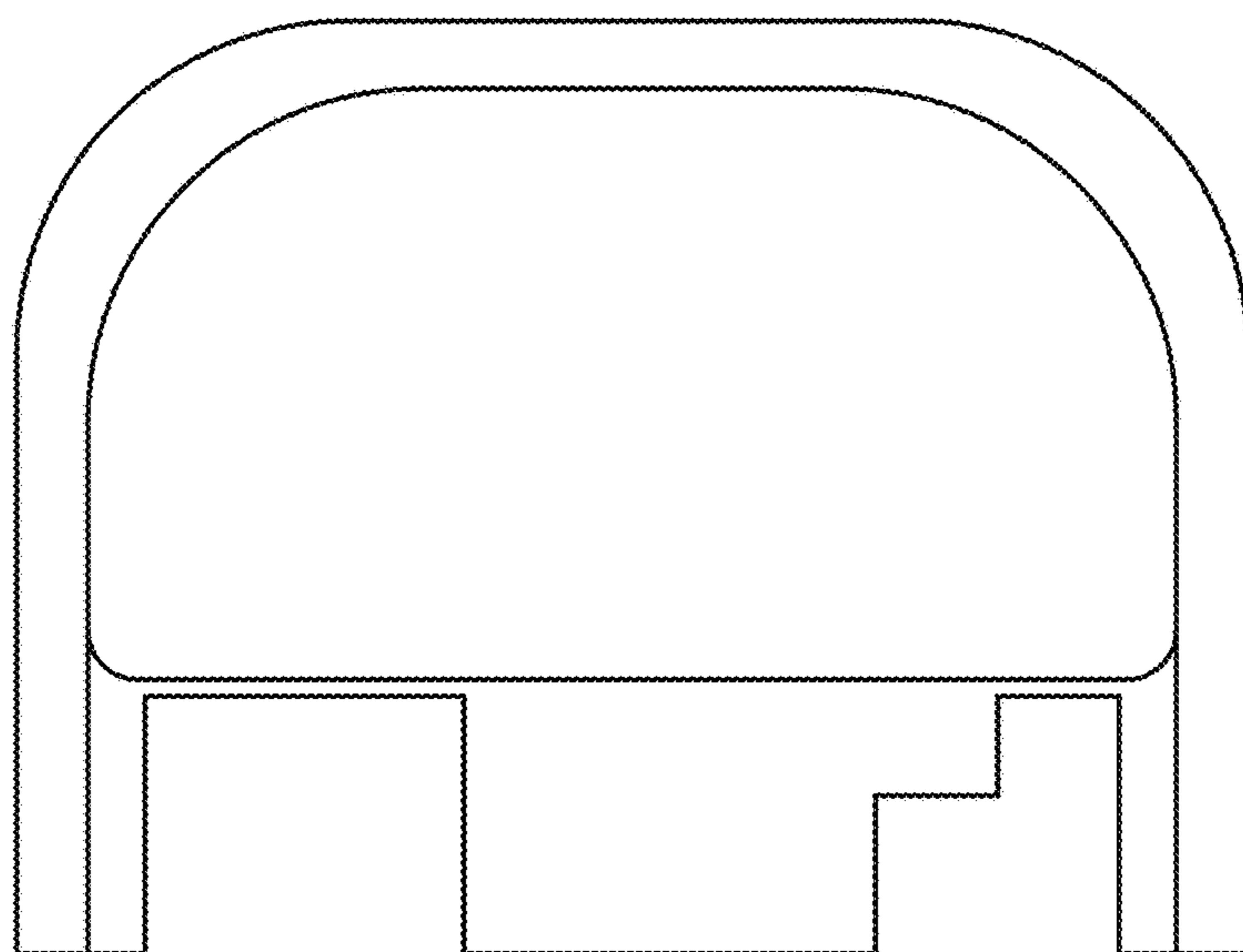


Fig. 6

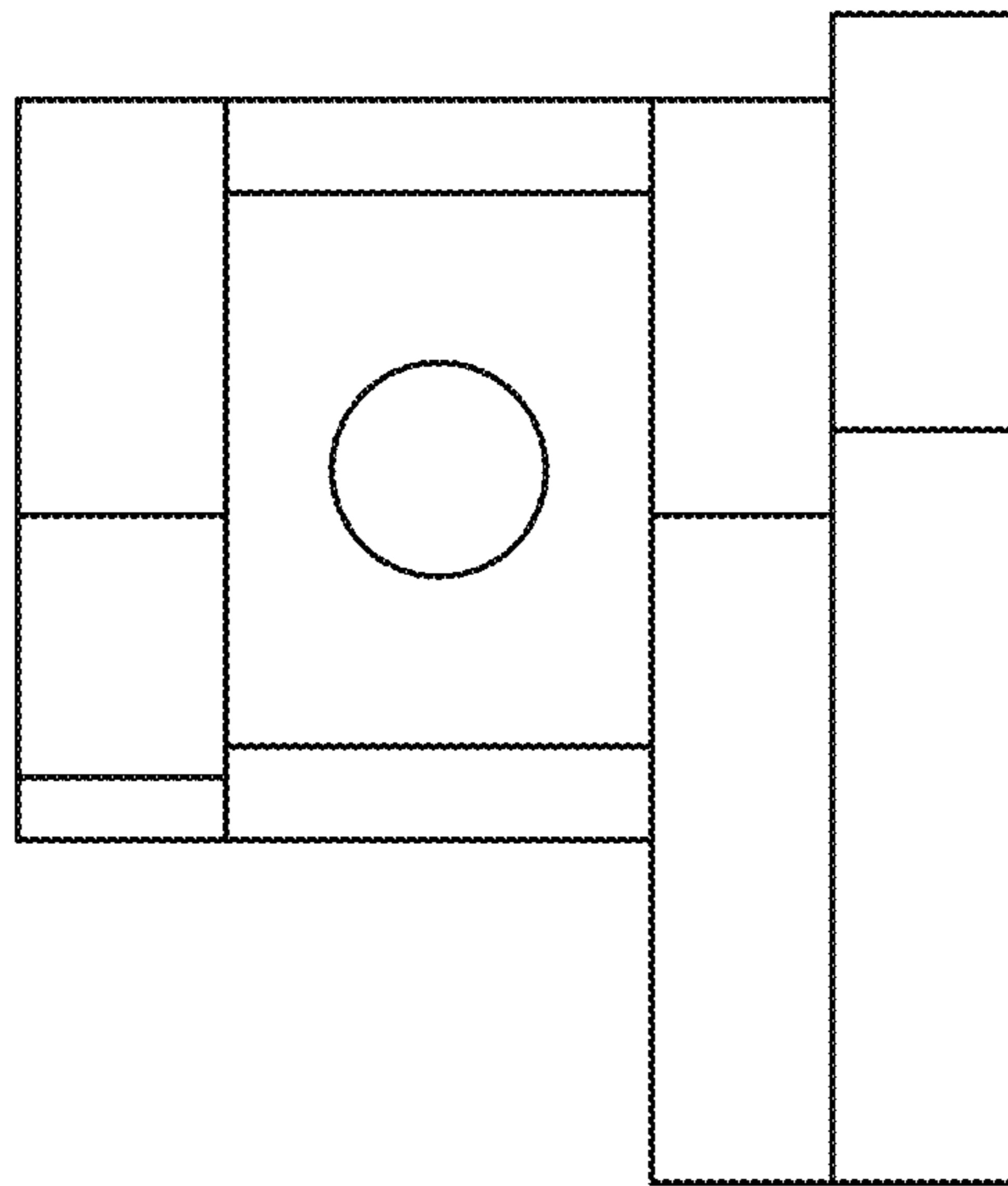


Fig. 7

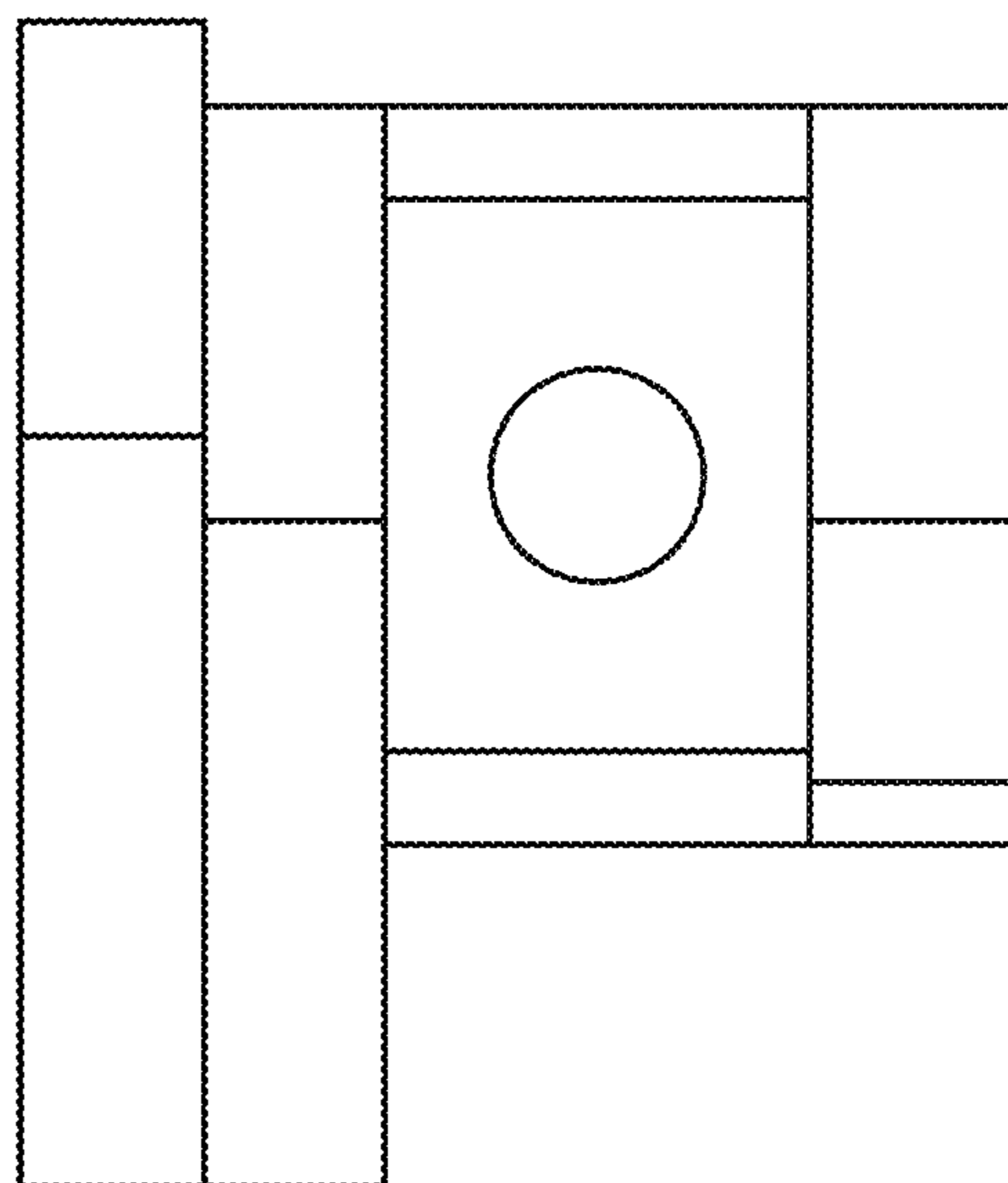


Fig. 8

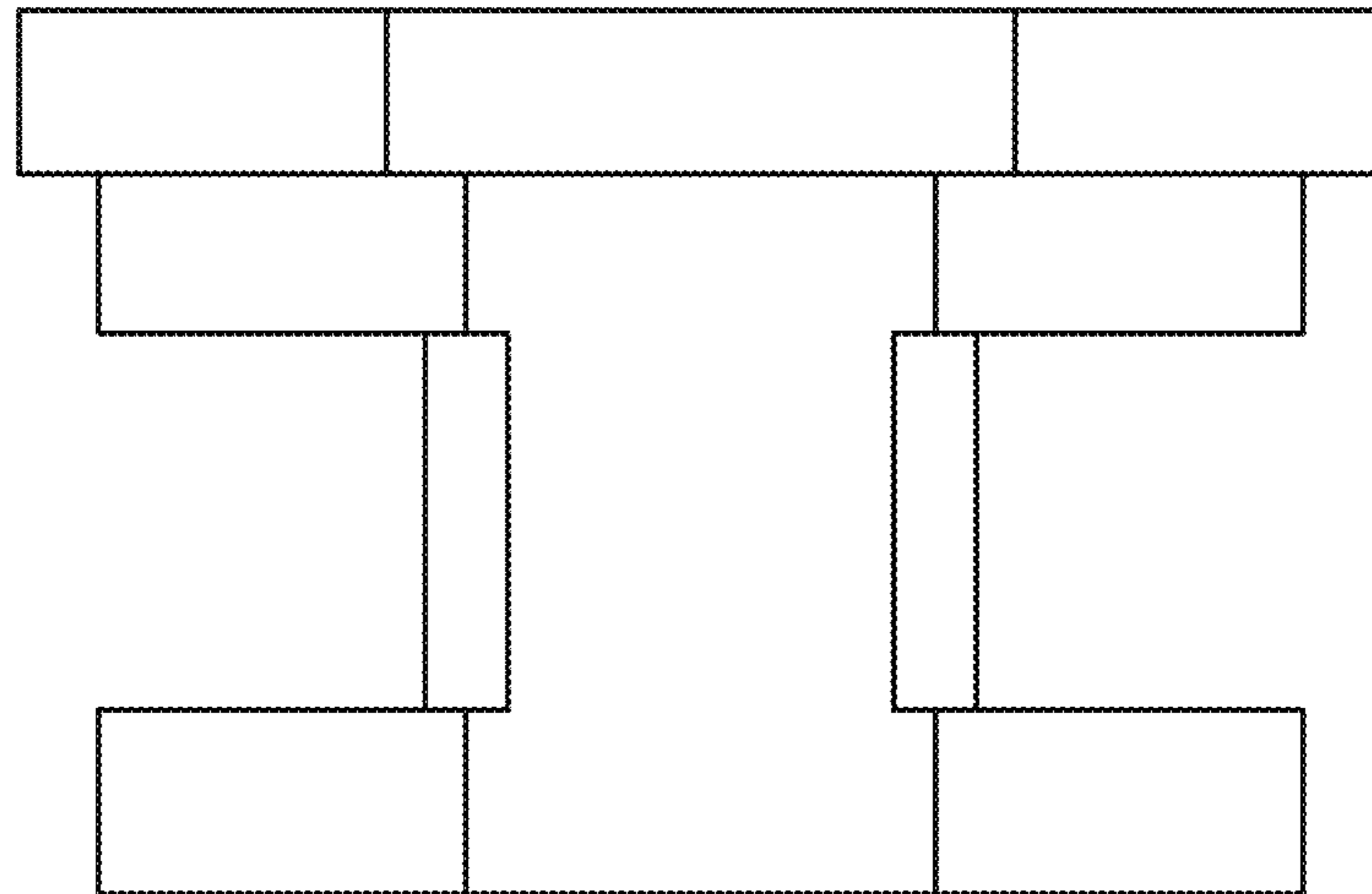


Fig. 9

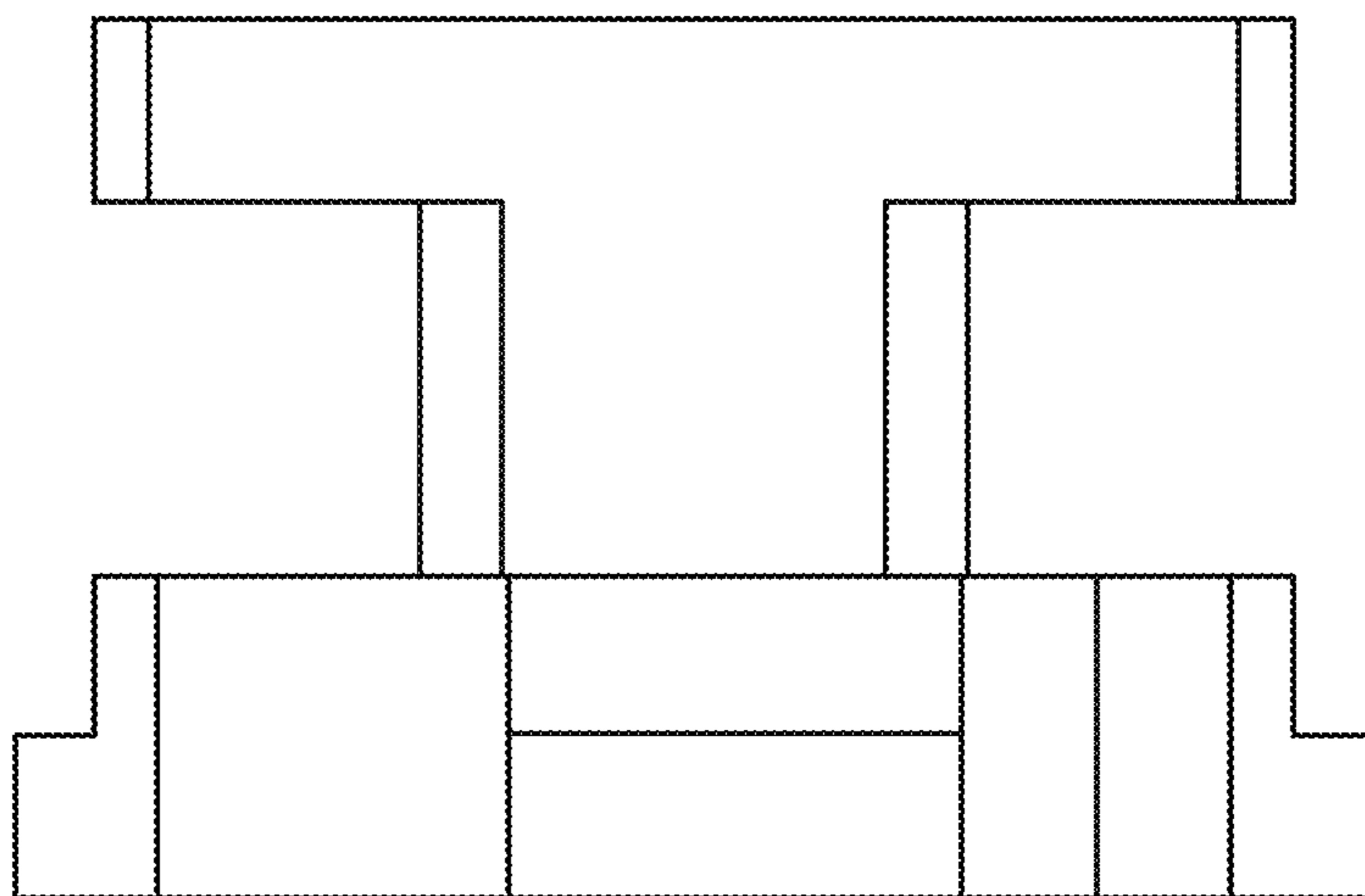


Fig. 10

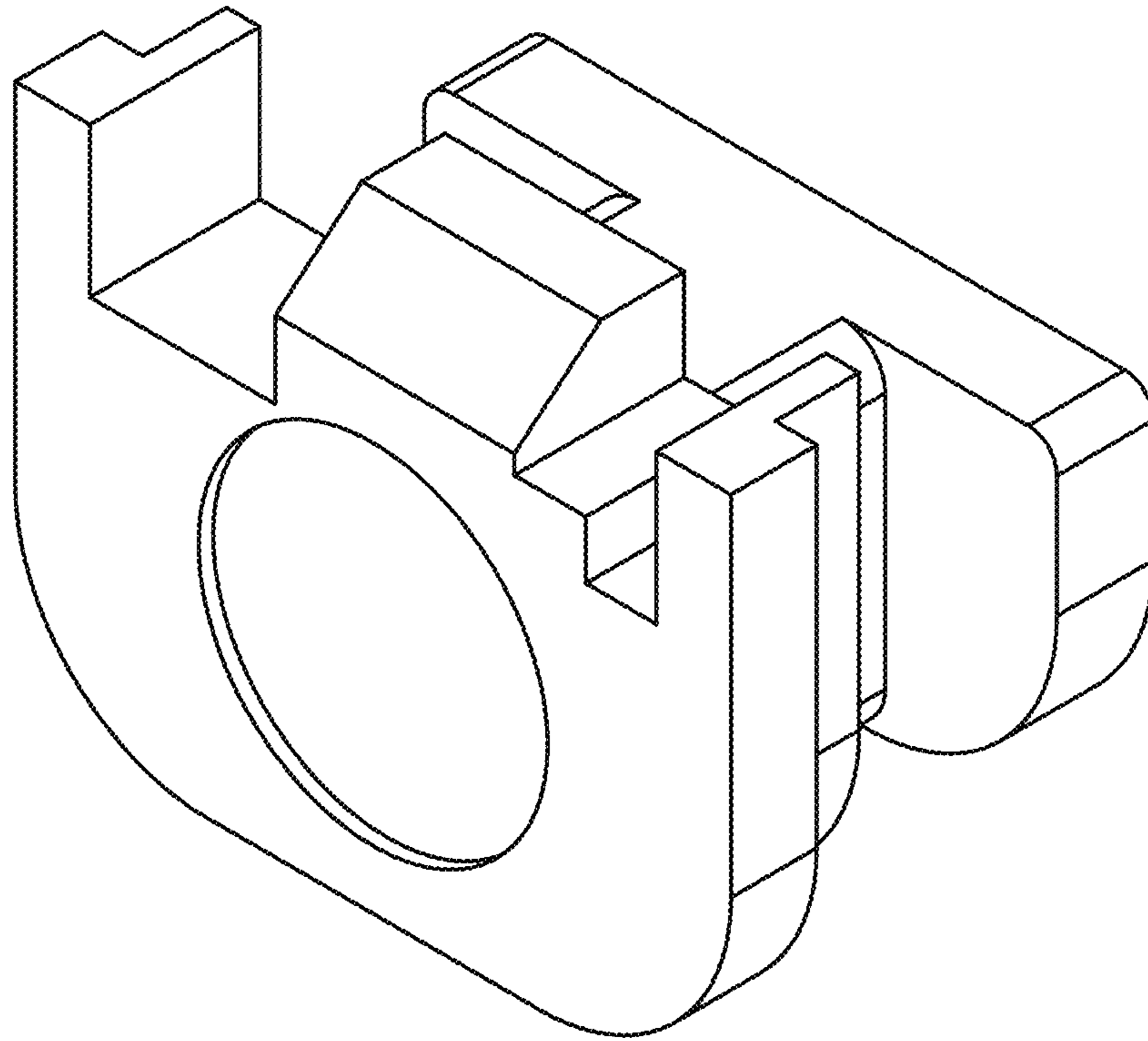


Fig. 11

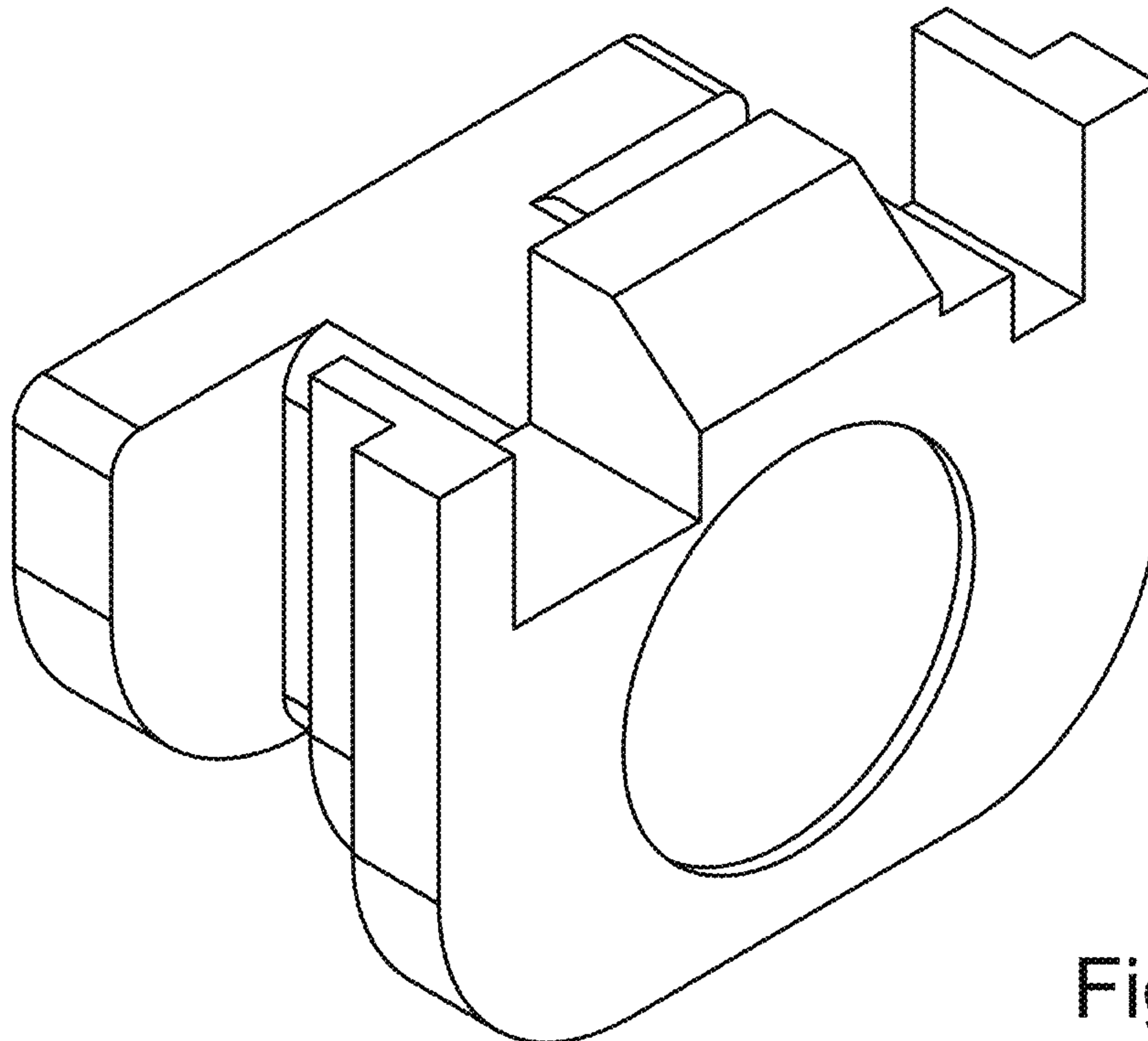


Fig. 12



Fig. 13

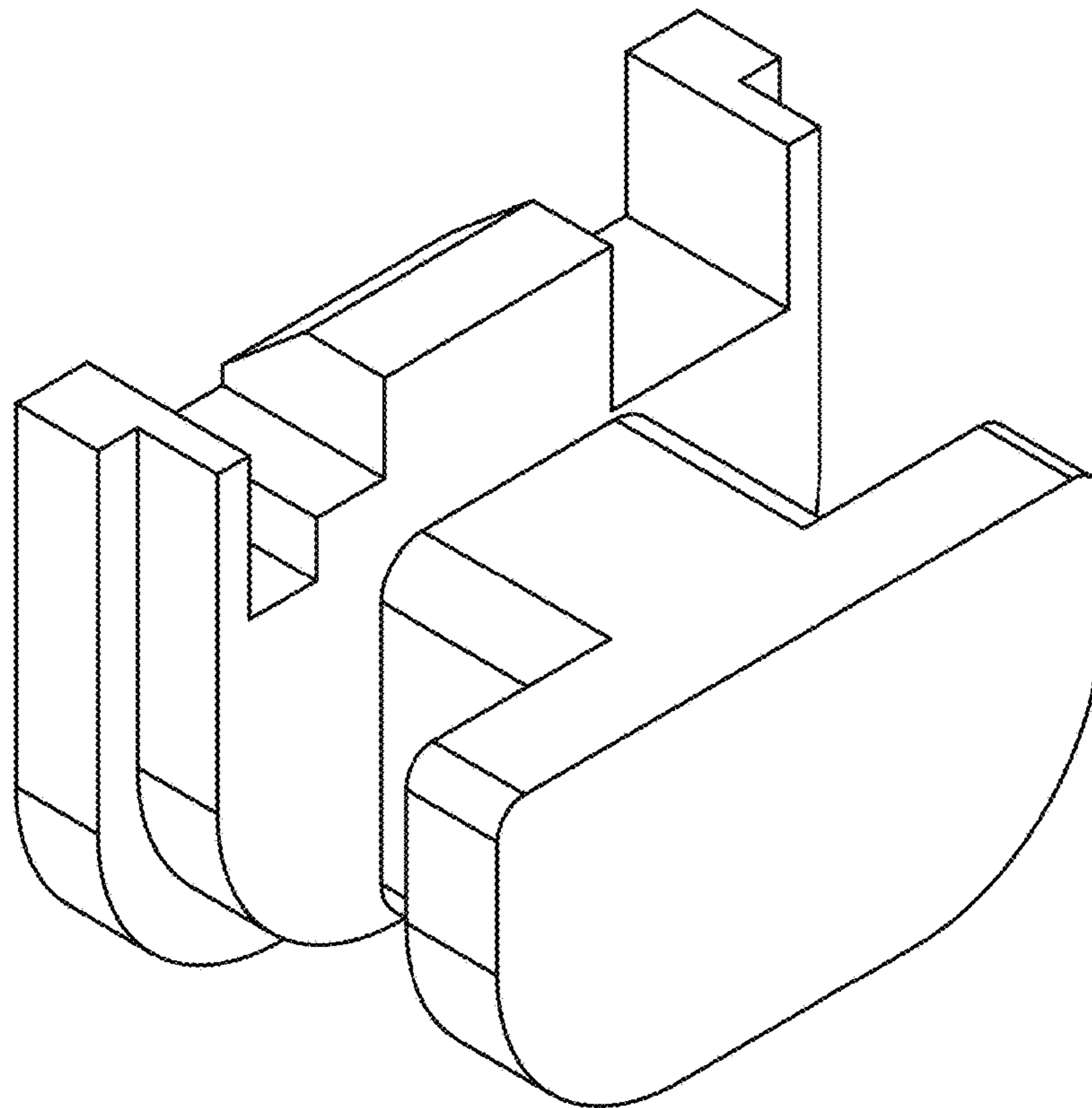
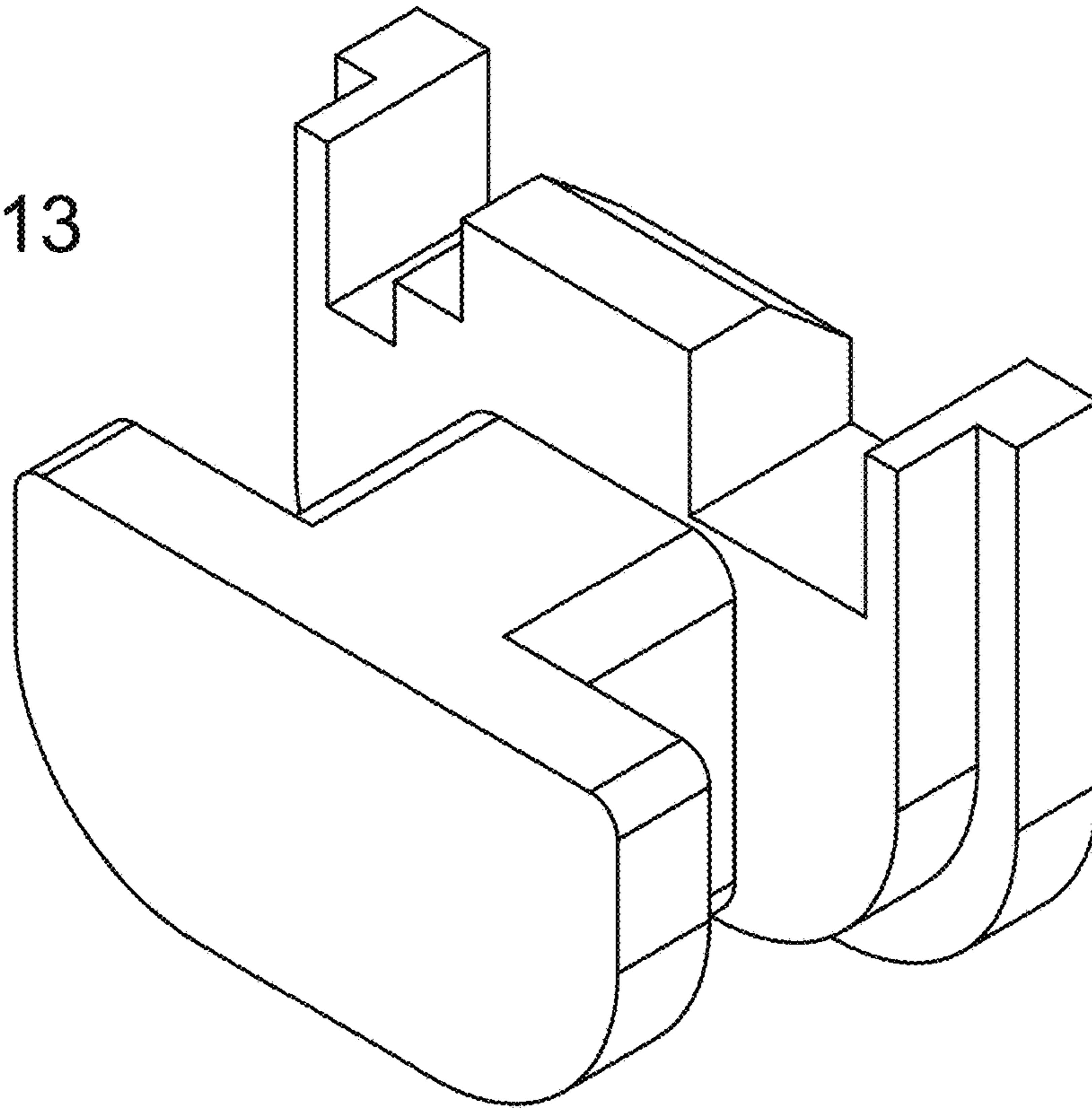


Fig. 14

