



US00D791901S

(12) **United States Design Patent**
Swan et al.

(10) **Patent No.: US D791,901 S**

(45) **Date of Patent: ** Jul. 11, 2017**

(54) **FIREARM MAGAZINE HOLDER**

(71) Applicant: **S & S PRECISION, LLC**, Virginia Beach, VA (US)

(72) Inventors: **Johnny E. Swan**, Virginia Beach, VA (US); **Andrew Borland**, Virginia Beach, VA (US); **William-Joseph Basan Elizalde**, Virginia Beach, VA (US); **Adam John Lauser, Jr.**, Virginia Beach, VA (US)

(73) Assignee: **S&S Precision, LLC**, Virginia Beach, VA (US)

(**) Term: **15 Years**

(21) Appl. No.: **29/550,678**

(22) Filed: **Jan. 6, 2016**

(51) **LOC (10) Cl. 22-01**

(52) **U.S. Cl.**

USPC **D22/108**

(58) **Field of Classification Search**

USPC D21/572-573; D22/108

CPC F41A 9/70; F41A 9/65; F41A 9/71; F41A

9/68; F41A 9/69; F41A 11/02; F41A

9/61; F41A 9/00; F41A 9/17; F41A 9/23;

F41A 9/34; F41A 9/84

See application file for complete search history.

(56) **References Cited**

U.S. PATENT DOCUMENTS

D689,581 S * 9/2013 Fitzpatrick D22/108

D736,885 S * 8/2015 Swan D22/108

D738,454 S * 9/2015 Smith D22/108

2006/0242877 A1* 11/2006 Clifton, Jr. F41A 9/68

42/49.01

2011/0107645 A1* 5/2011 Faifer F41A 9/63

42/90

2012/0311911 A1* 12/2012 Nelson F41A 9/65

42/90

* cited by examiner

Primary Examiner — Michael A Pratt

(74) *Attorney, Agent, or Firm* — Tanner IP, PLLC

(57) **CLAIM**

The ornamental design for a firearm magazine holder, as shown and described.

DESCRIPTION

FIG. 1 is a front perspective view of a first embodiment of a firearm magazine holder showing our new design;

FIG. 2 is a top plan view thereof;

FIG. 3 is a front view thereof;

FIG. 4 is a right side view thereof;

FIG. 5 is a left side view thereof;

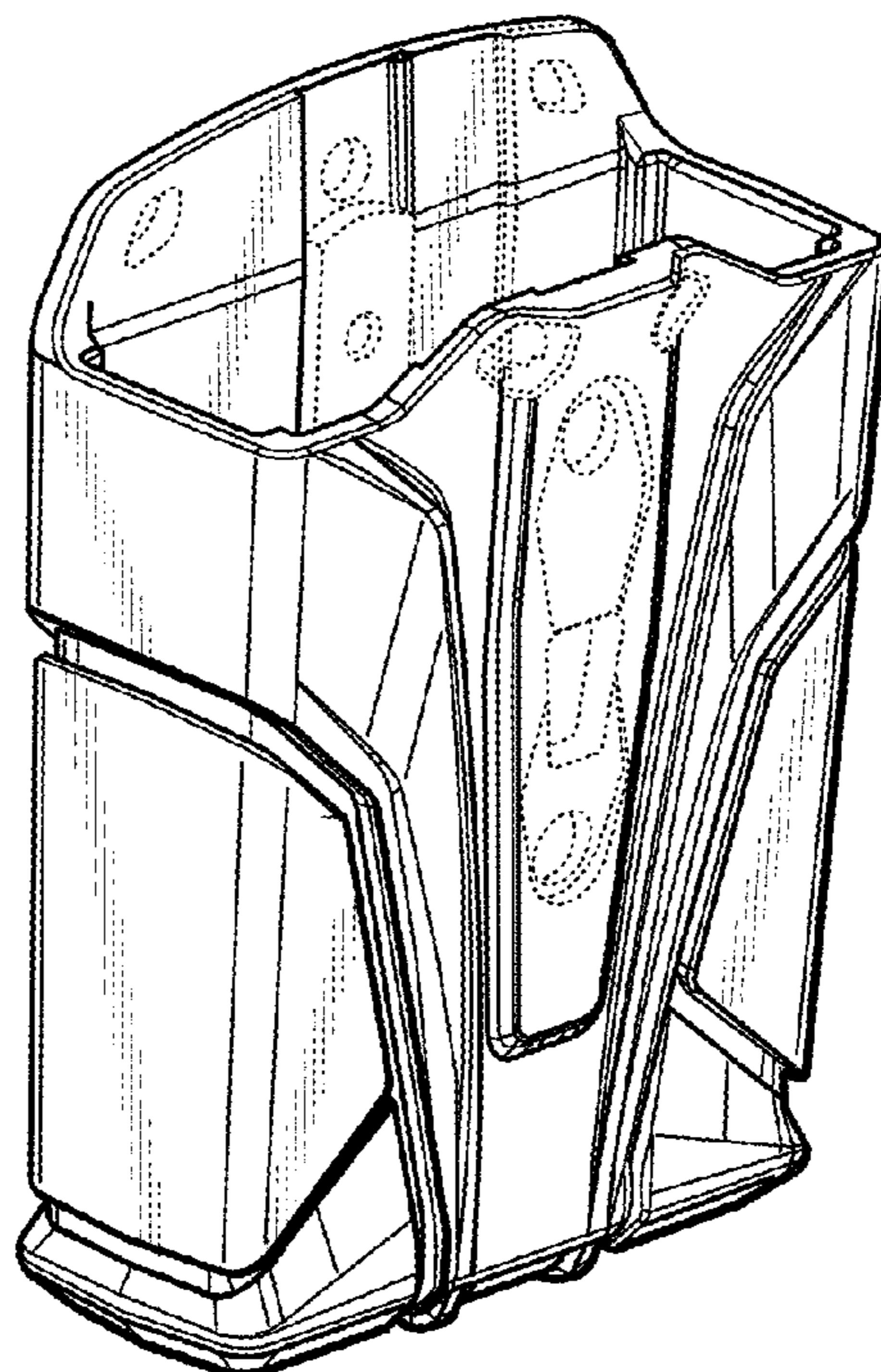
FIG. 6 is a rear view thereof;

FIG. 7 is a bottom plan view thereof; and,

FIG. 8 is a front perspective view of a second embodiment of a firearm magazine holder, including two magazine holders attached to one another.

The broken line portions showing surface relief, holes and/or attachment means in FIGS. 1-8 are shown to illustrate environment only and form no part of the claimed design.

1 Claim, 3 Drawing Sheets



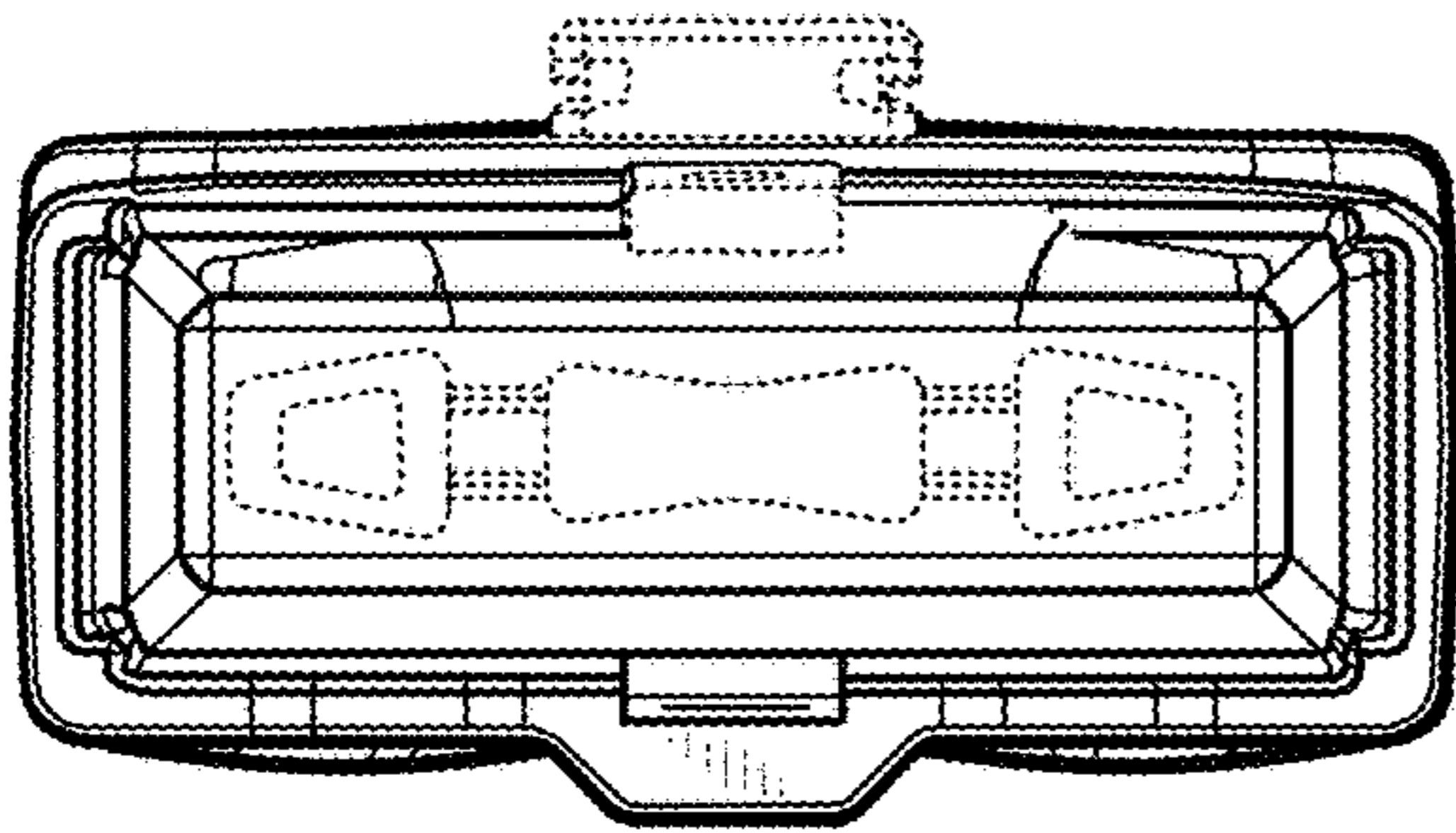


FIG. 2

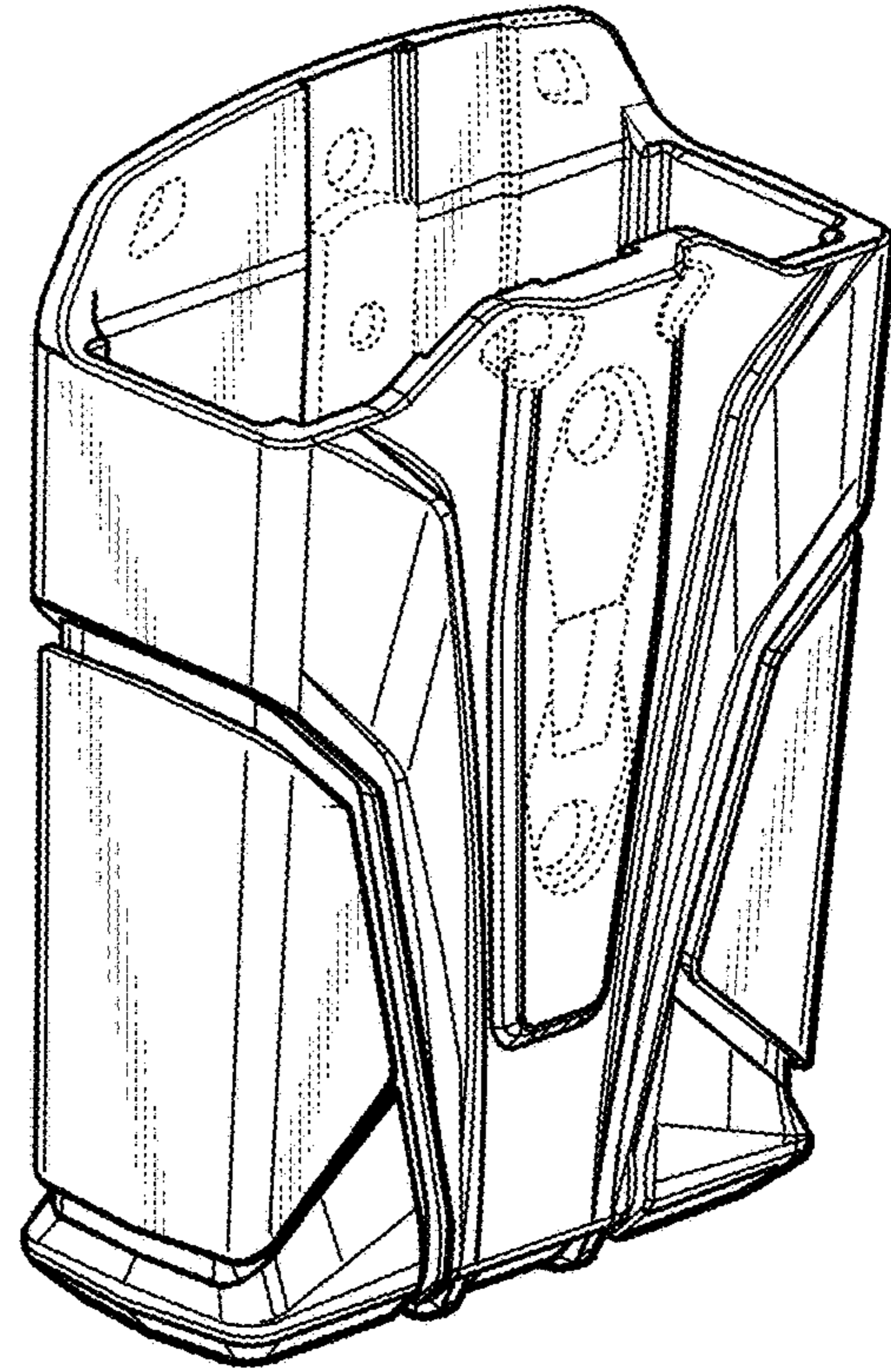


FIG. 1

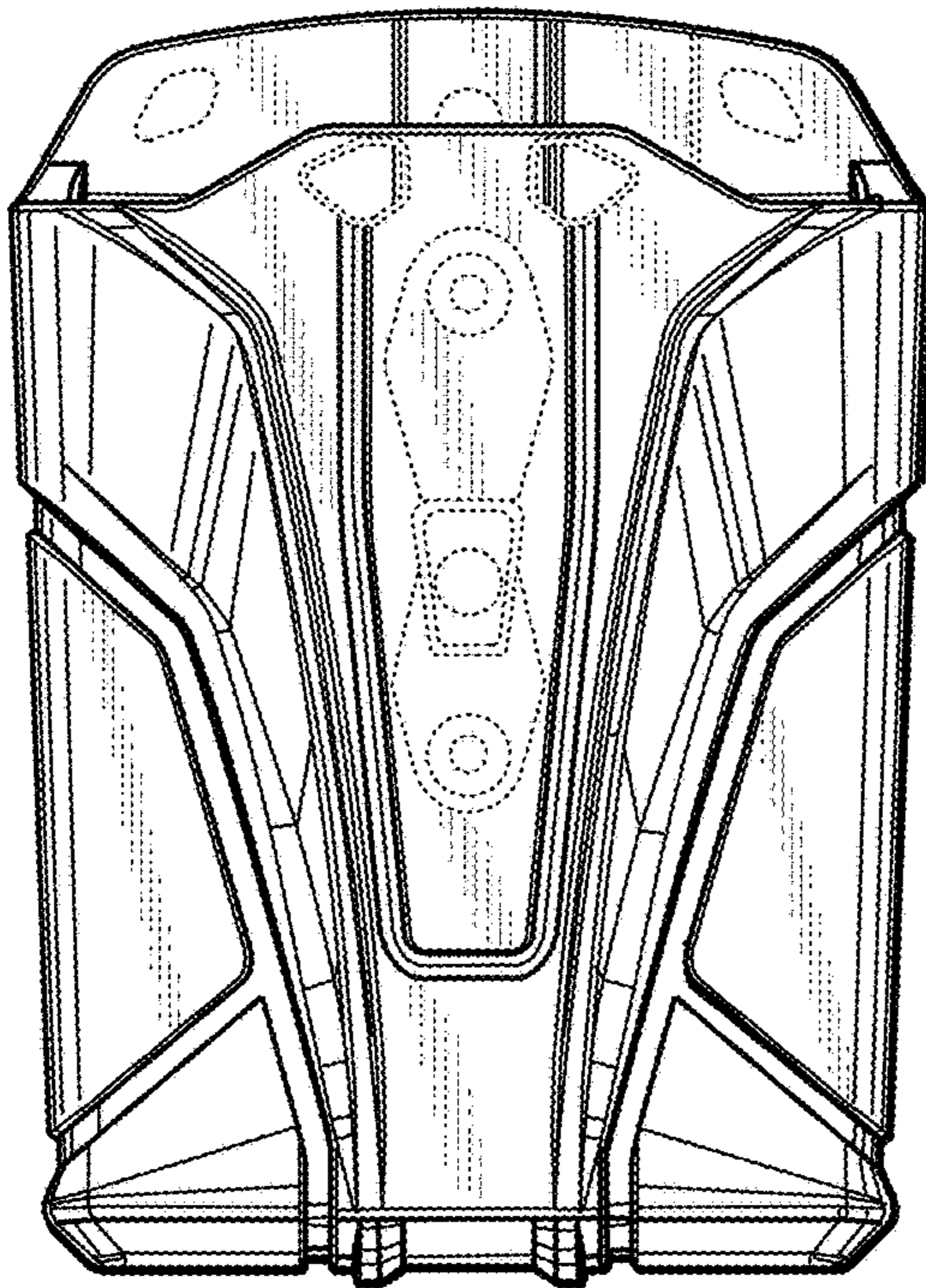


FIG. 3

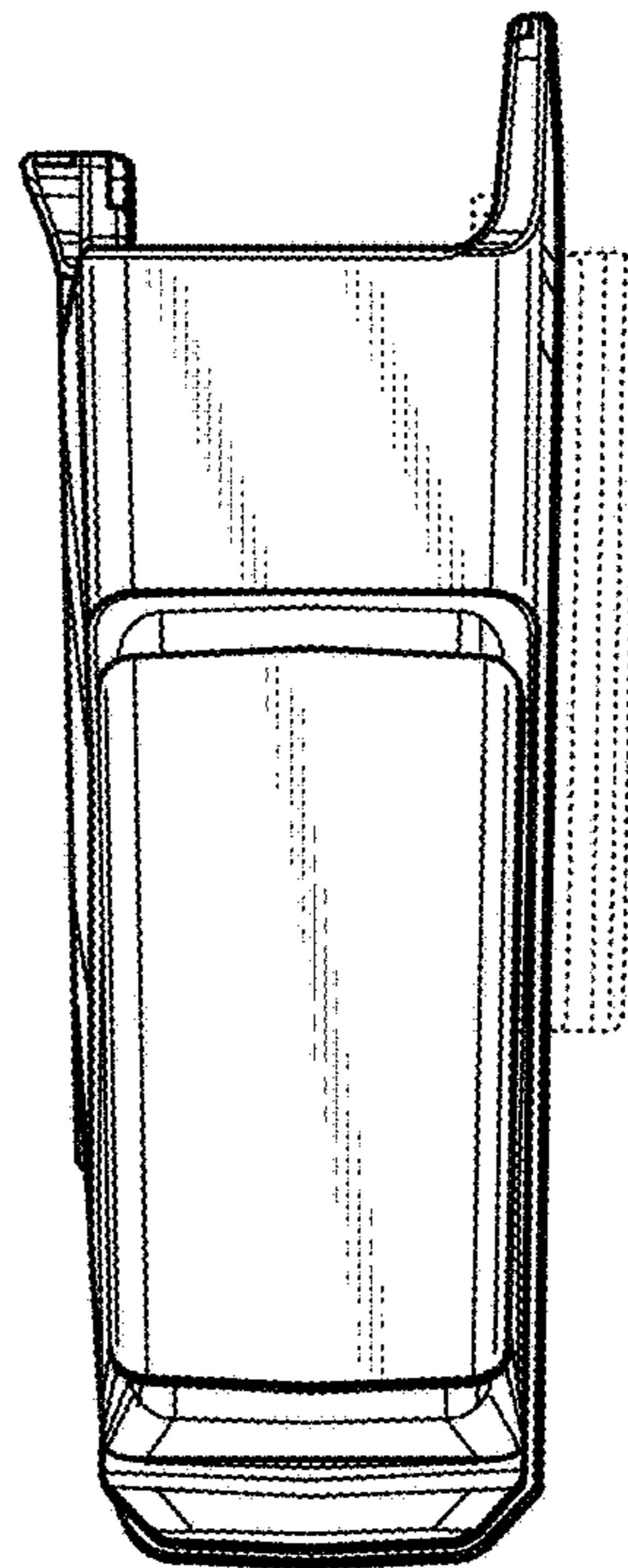


FIG. 4

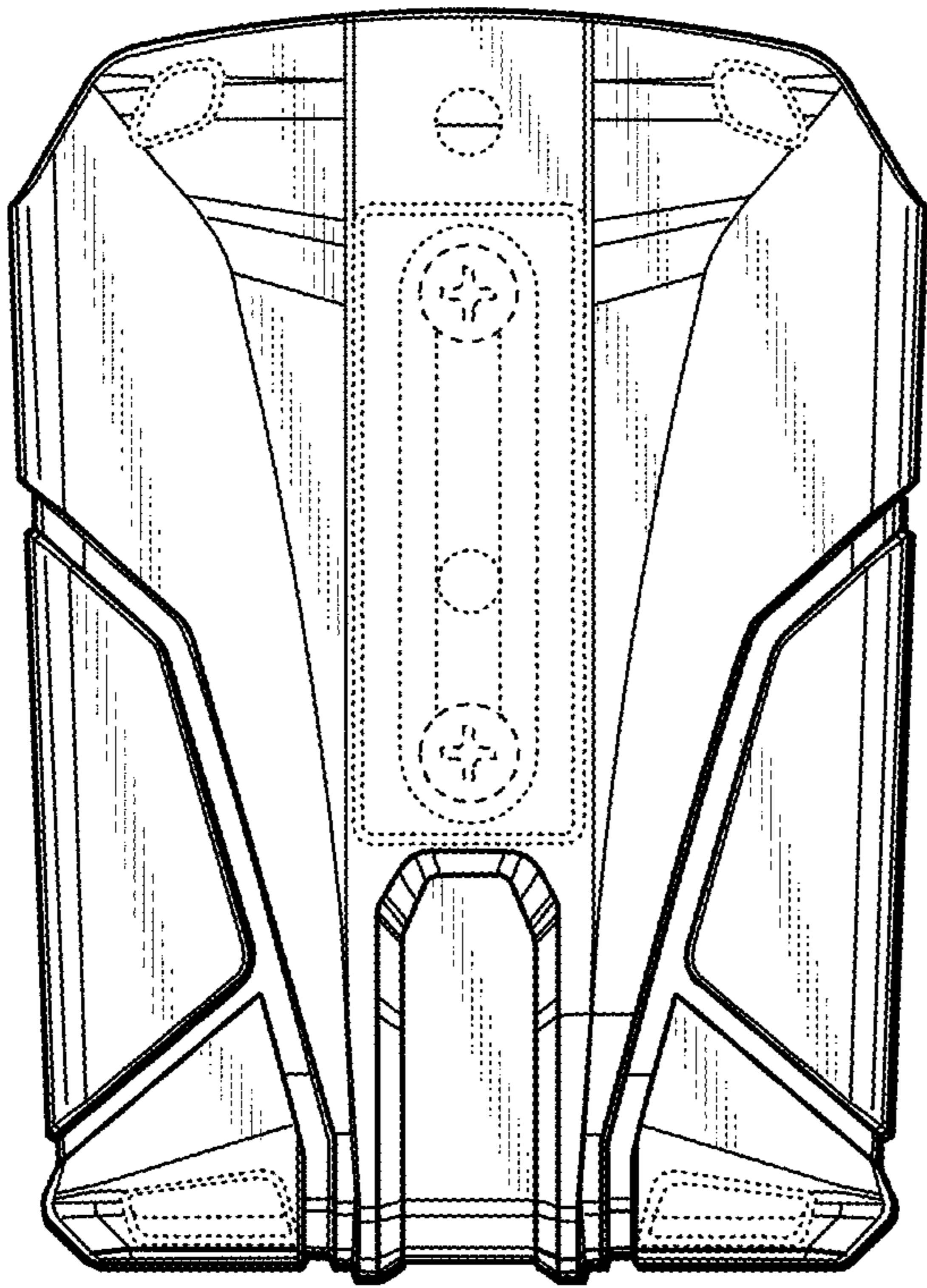


FIG. 6

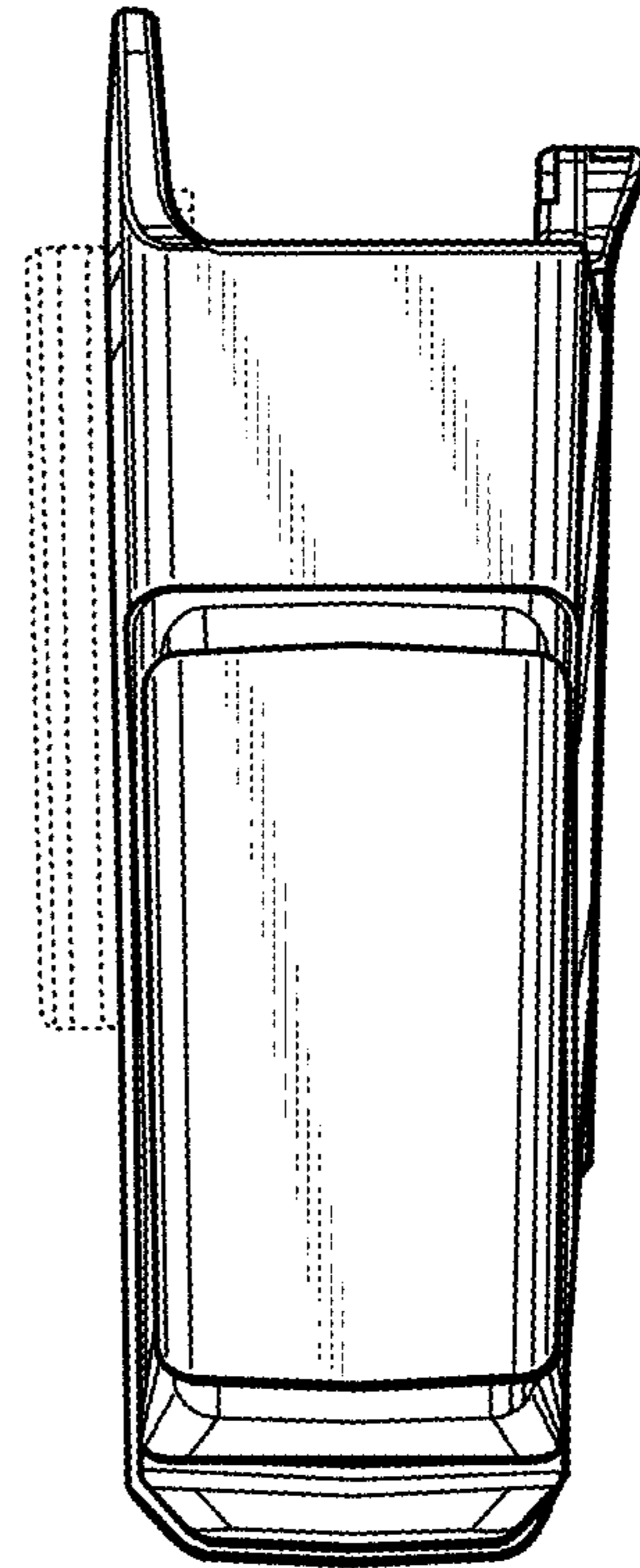


FIG. 5

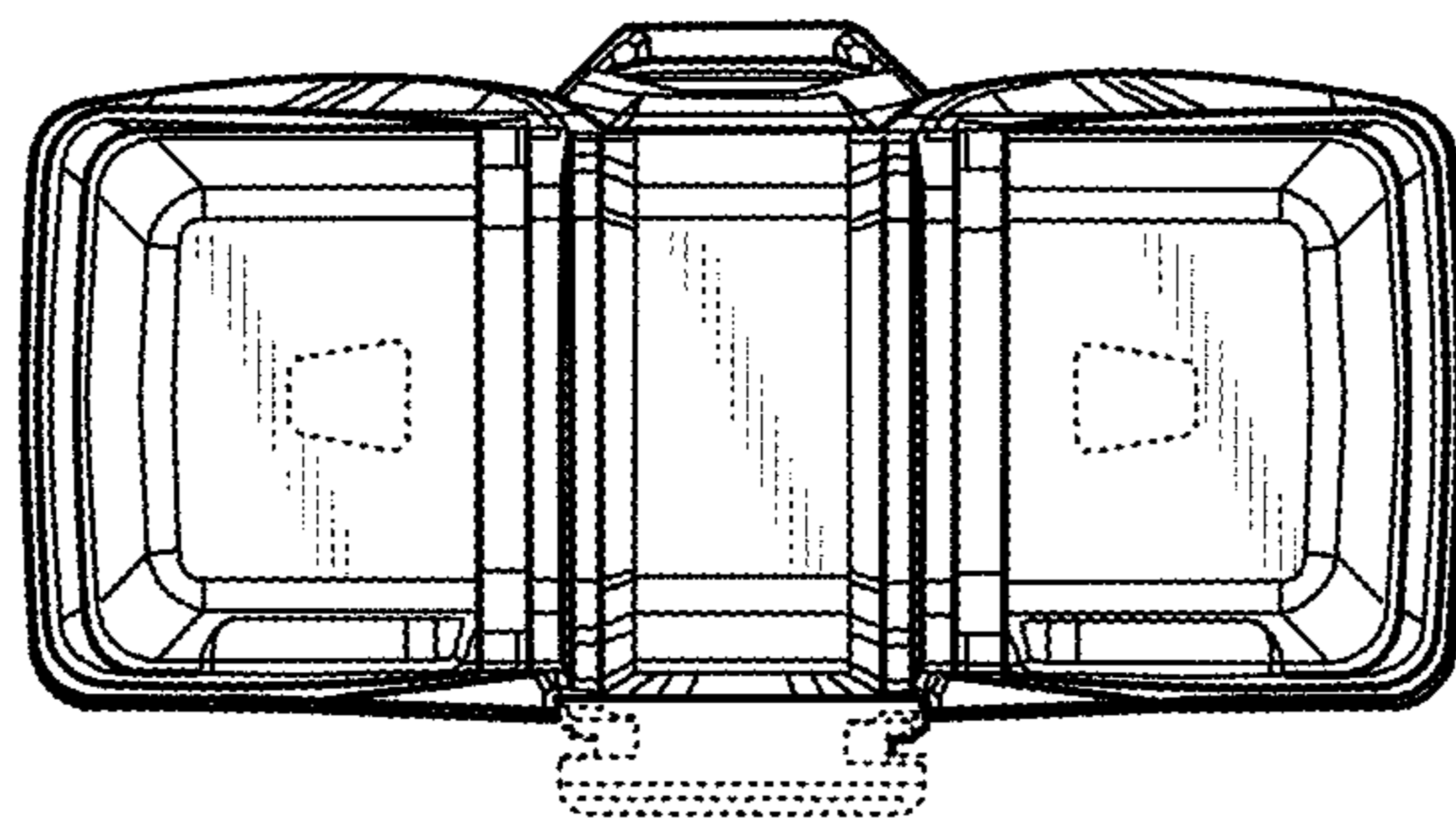


FIG. 7

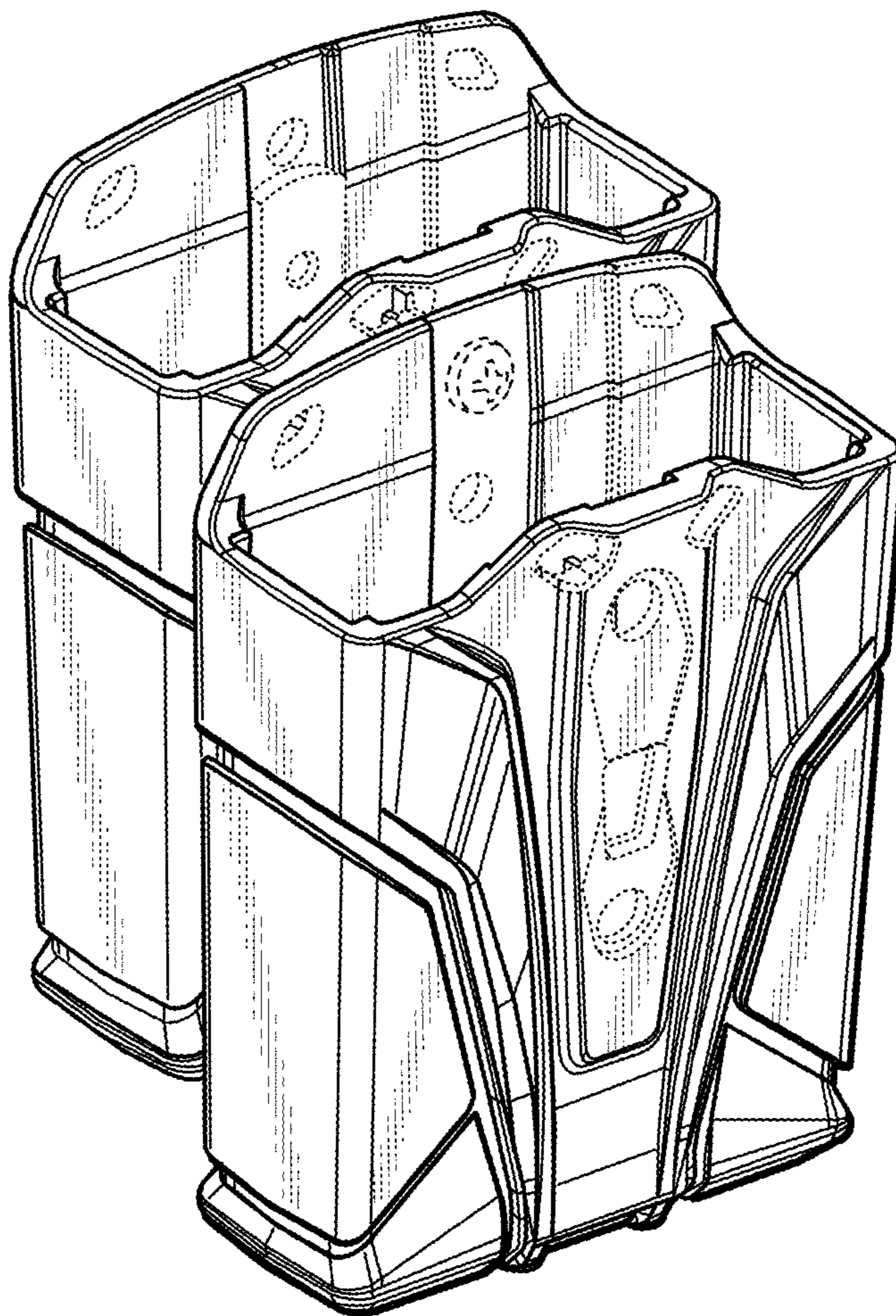


FIG. 8