



US00D791900S

(12) **United States Design Patent** (10) **Patent No.:** **US D791,900 S**
Underwood (45) **Date of Patent:** **** Jul. 11, 2017**

- (54) **FIREARM HANDGUARD**
- (71) Applicant: **AXTS Weapons Systems, Salem, OR**
(US)
- (72) Inventor: **Joshua A. Underwood, Salem, OR**
(US)
- (73) Assignee: **AXTS WEAPONS SYSTEMS, Salem, OR (US)**
- (**) Term: **15 Years**
- (21) Appl. No.: **29/549,337**
- (22) Filed: **Dec. 21, 2015**
- (51) **LOC (10) Cl.** **22-01**
- (52) **U.S. Cl.**
USPC **D22/108**
- (58) **Field of Classification Search**
USPC D22/108, 104; D21/571-575; D8/68
CPC F41C 23/10; F41C 23/14; F41C 23/16;
F41C 23/18
See application file for complete search history.

- D711,492 S * 8/2014 Yan D22/108
- D716,902 S * 11/2014 Nason D22/108
- D720,421 S * 12/2014 Chen D22/108
- 8,904,691 B1 * 12/2014 Kincel F41C 23/16
42/71.01
- D721,407 S * 1/2015 Chu D21/574
(Continued)

OTHER PUBLICATIONS

MI-T556 Complete Upper AR-15, AXTS Weapons Systems website, [online], [site visited Sep. 14, 2016]. <URL: <https://www.axtswapons.com/product/mi-t556-carbine-upper/>>.*
(Continued)

Primary Examiner — T. Chase Nelson
Assistant Examiner — Jonathan J Han
(74) *Attorney, Agent, or Firm* — Schwabe Williamson & Wyatt

(57) **CLAIM**

The ornamental design for the firearm handguard, as shown and described.

DESCRIPTION

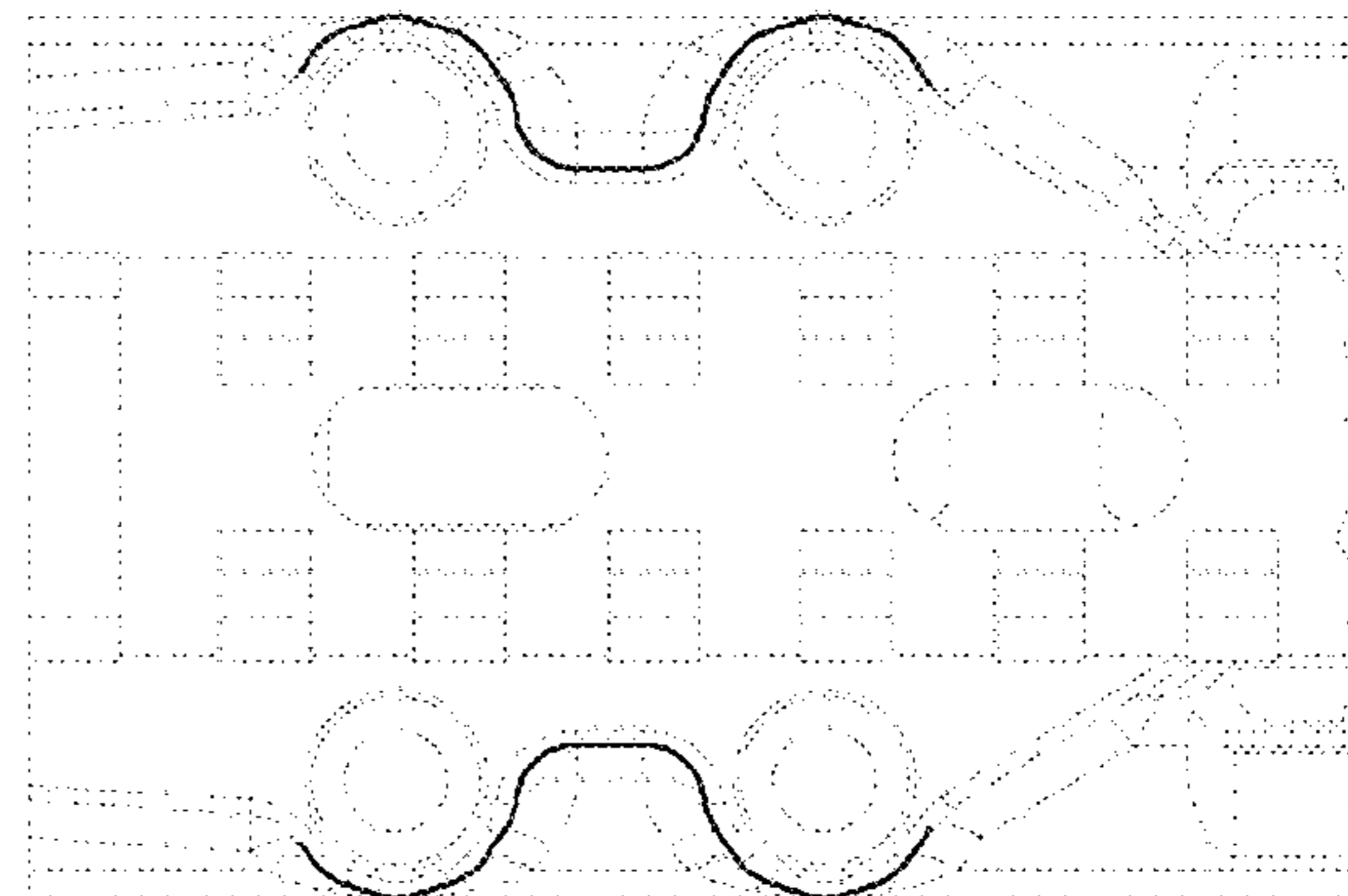
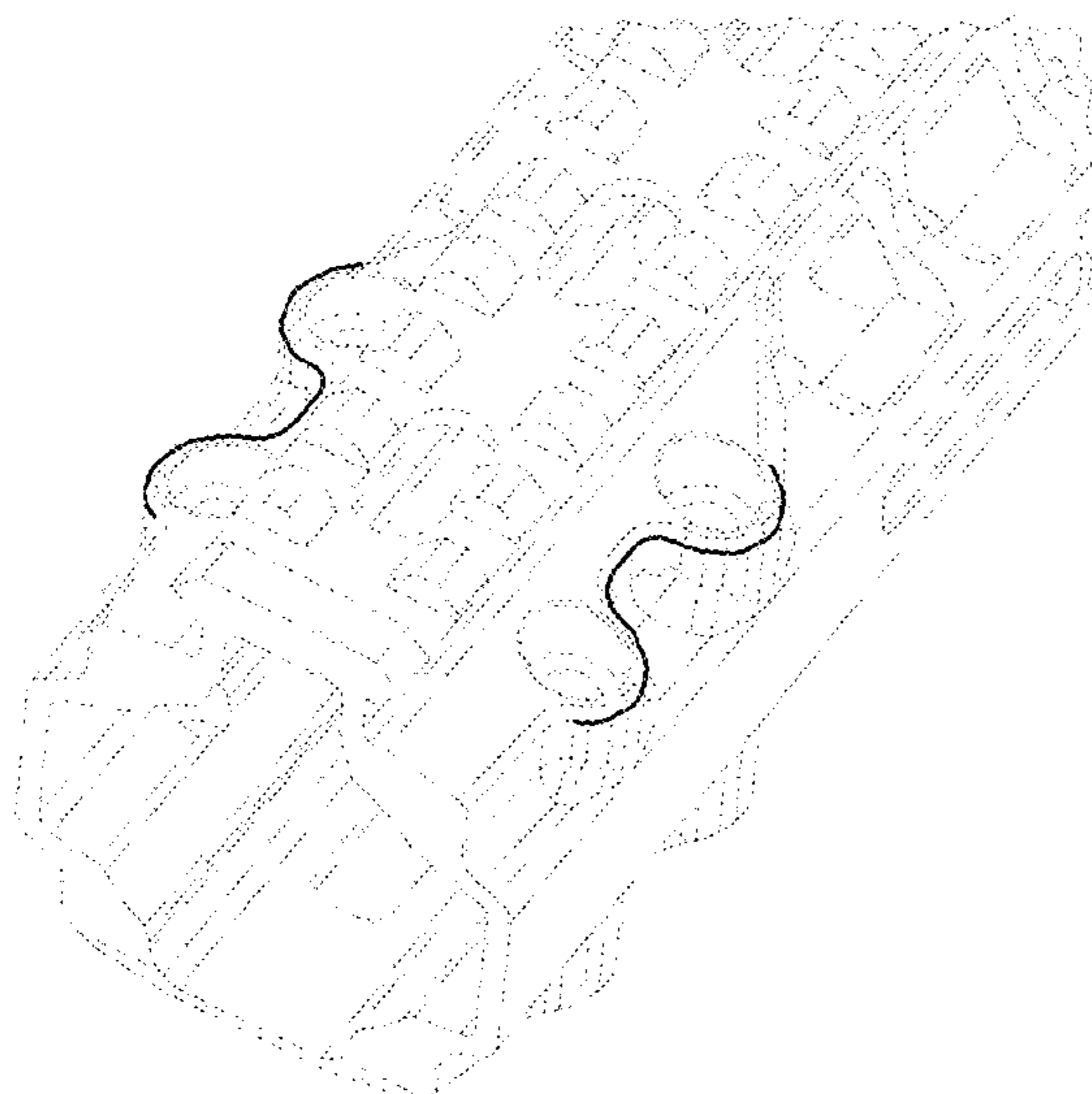
FIG. 1 is an isometric view of an embodiment of my firearm handguard.
FIG. 2 is an enlarged isometric view of the firearm handguard shown in FIG. 1.
FIG. 3 is an enlarged top view of the firearm handguard shown in FIG. 1; and,
FIG. 4 is an elevated partial side view of the firearm handguard shown in FIG. 1.
The broken lines are included for the purpose of illustrating the environment and form no part of the claimed design.
The claim is directed to only the two solid-line edges of the firearm handguard and their relative positions to one another as depicted in the drawings.

1 Claim, 4 Drawing Sheets

(56) **References Cited**

U.S. PATENT DOCUMENTS

- D508,726 S * 8/2005 Storch D22/108
- D607,958 S * 1/2010 Swan D22/108
- D631,933 S * 2/2011 Thompson D22/108
- D636,045 S * 4/2011 Larson D22/108
- D636,046 S * 4/2011 Larson D22/108
- D636,047 S * 4/2011 Larson D22/108
- D636,048 S * 4/2011 Larson D22/108
- D637,678 S * 5/2011 Larson D22/103
- D692,516 S * 10/2013 Yan D22/108
- D702,792 S * 4/2014 Burt D22/103
- D702,793 S * 4/2014 Burt D22/103
- D703,286 S * 4/2014 Chen D22/108
- 8,726,558 B1 * 5/2014 Nason F41C 23/16
42/71.01
- D709,582 S * 7/2014 Geissele D22/108



(56)

References Cited

U.S. PATENT DOCUMENTS

8,931,196 B1 * 1/2015 Larue F41A 11/04
 42/71.01
 D722,356 S * 2/2015 Keller D22/108
 D724,170 S * 3/2015 Huang D22/108
 D728,722 S * 5/2015 Peterson D22/108
 D733,246 S * 6/2015 Wells D22/108
 D737,397 S * 8/2015 Cheng D22/108
 D741,978 S * 10/2015 Shea D22/108
 D747,426 S * 1/2016 Cheng D22/108
 D747,428 S * 1/2016 Chen D22/108
 D749,181 S * 2/2016 Hu D22/103
 D750,188 S * 2/2016 Fitzpatrick D22/108
 D750,192 S * 2/2016 Silvers D22/108
 D751,661 S * 3/2016 Gibbens D22/108
 D751,663 S * 3/2016 Ding D22/108
 D752,171 S * 3/2016 Chen D22/108
 9,273,926 B2 * 3/2016 Wood F41G 11/003
 D754,274 S * 4/2016 Geissele D22/108
 D757,201 S * 5/2016 Meier D22/108
 D757,876 S * 5/2016 Boswell, Jr. D22/108
 D763,397 S * 8/2016 Huang D22/108
 9,404,714 B2 * 8/2016 Langevin F41C 23/16
 9,423,216 B2 * 8/2016 Cheng F41G 11/001
 2010/0319231 A1 * 12/2010 Stone F41C 23/16
 42/71.01

2011/0061281 A1 * 3/2011 Kapusta F41C 23/16
 42/71.01
 2014/0026459 A1 * 1/2014 Yan F41C 23/16
 42/71.01
 2015/0168096 A1 * 6/2015 Miller F41G 1/44
 42/71.01
 2015/0192385 A1 * 7/2015 Krebs F41C 23/16
 42/71.01
 2016/0223286 A1 * 8/2016 Storch F41C 23/16

OTHER PUBLICATIONS

Shot of bottom of rail, AXTS Facebook page, Facebook.com, Posted Dec. 24, 2014, [online], [site visited Sep. 14, 2016]. <URL: <https://www.facebook.com/AXTSWeapons/photos/a.119067451515184.31120.106498542772075/790260364395886/?type=3&theater>>.*
 Close up shot of rail, AXTS Facebook page, Facebook.com, Posted Dec. 25, 2014, [online], [site visited Sep. 14, 2016]. <URL: <https://www.facebook.com/AXTSWeapons/photos/a.119067451515184.31120.106498542772075/790260364395886/?type=3&theater>>.*
 AXTS Weapons Systems MI-T556 14.5" Carbine, TheFirearmBlog.com, Posted Jan. 12, 2015, [online], [site visited Sep. 14, 2016]. <URL: <http://www.thefirearmblog.com/blog/2015/01/12/axts-weapons-systems-mi-t556-14-5-carbine/>>.*

* cited by examiner

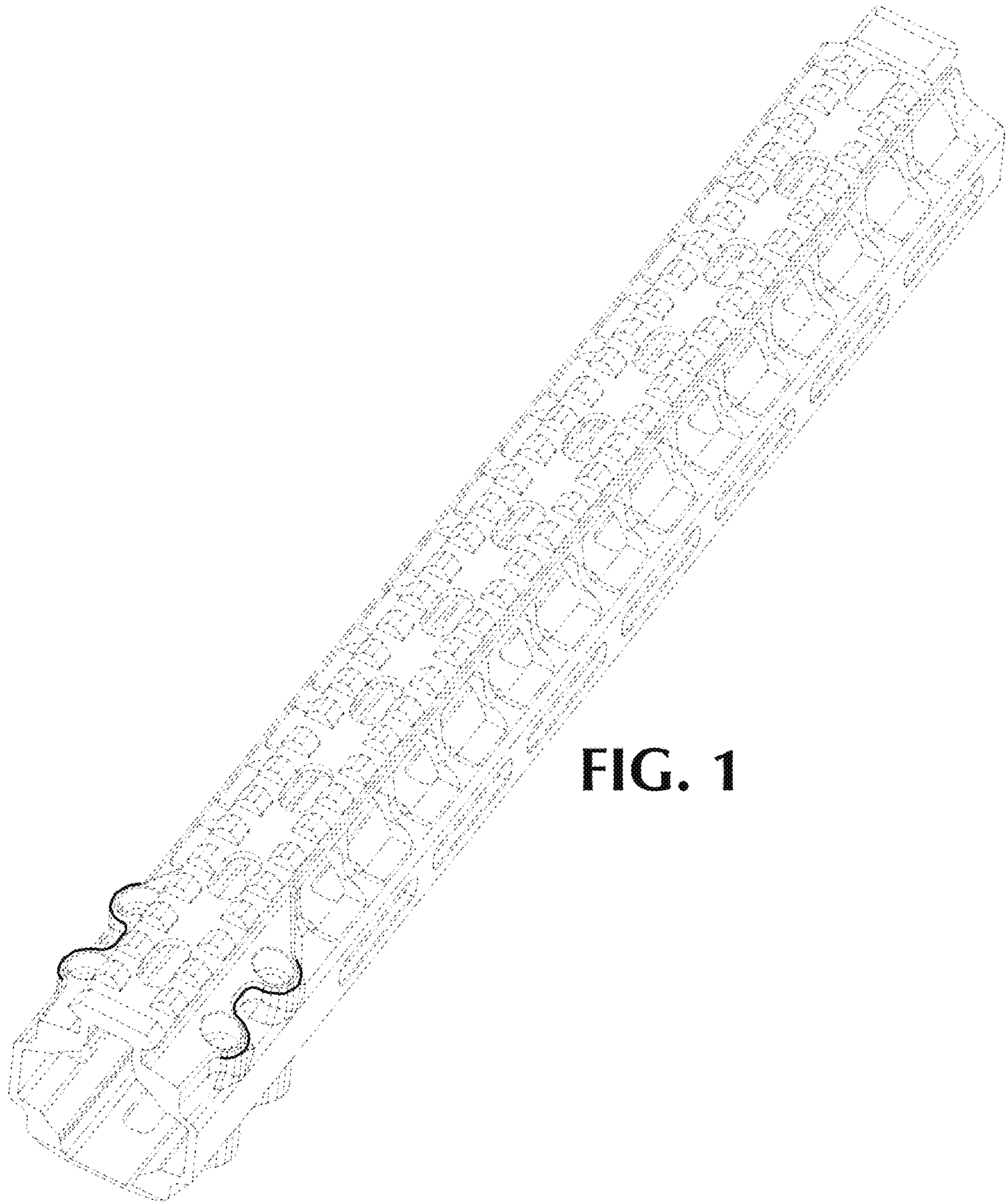


FIG. 1

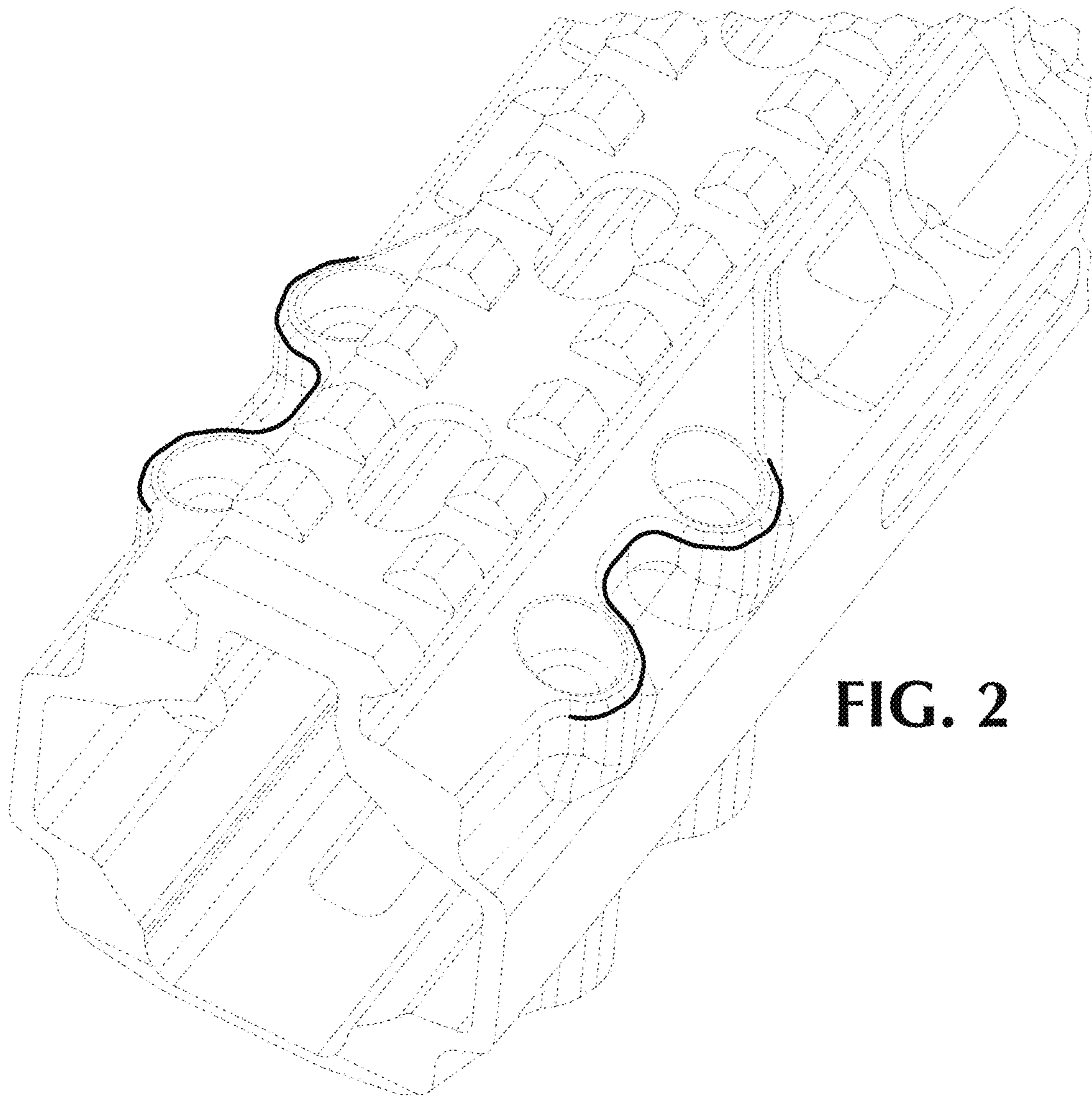


FIG. 2

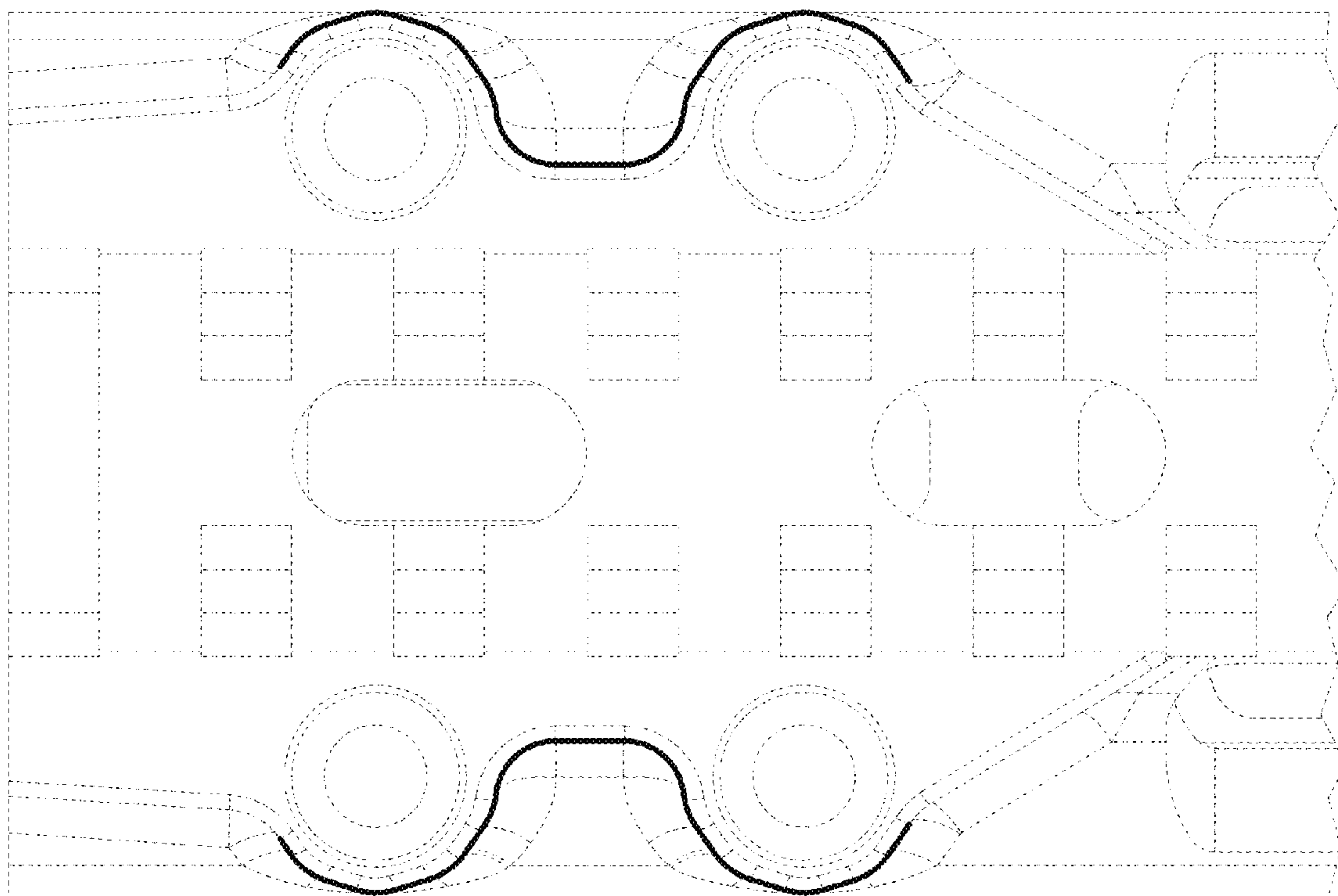


FIG. 3

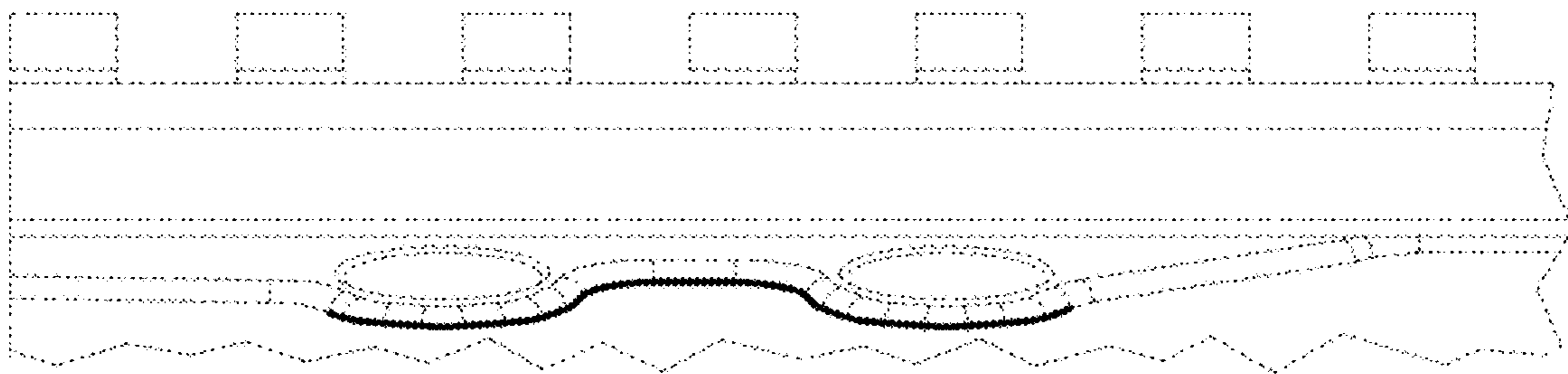


FIG. 4