



US00D791895S

(12) **United States Design Patent** (10) **Patent No.:** **US D791,895 S**  
**Chin** (45) **Date of Patent:** **\*\* Jul. 11, 2017**

- (54) **SWIMMING AID**
- (71) Applicant: **Aqua-Leisure Industries, Inc.**, Avon, MA (US)
- (72) Inventor: **Dorothy Chin**, Smithfield, RI (US)
- (73) Assignee: **Aqua-Leisure Industries, Inc.**, Avon, MA (US)
- (\*\*) Term: **15 Years**
- (21) Appl. No.: **29/542,895**
- (22) Filed: **Oct. 19, 2015**
- (51) **LOC (10) Cl.** ..... **29-02**
- (52) **U.S. Cl.**  
USPC ..... **D21/805**
- (58) **Field of Classification Search**  
USPC ..... D21/801, 803, 805, 809, 802, 712, 788;  
D6/596, 601, 604-605, 616, 621;  
D2/743, 750, 761, 829; D3/215-216  
CPC .. B63B 35/76; B63B 7/00; B63B 7/06; B63B 7/08; B63B 114/253; B63B 114/345-114/346; B63B 441/35; B63B 441/66; B63B 441/74; B63B 441/40-441/42; B63B 441/129-441/132; B63B 472/128-472/129; B63C 2009/0023; B63C 9/02; B63C 9/04; B63C 9/08; B63C 2009/042; B63C 2009/046; B63C 9/11; B63C 9/00; B63C 9/081; B63C 9/21; B63C 11/00; A61B 1/00; A61B 1/02; A61G 1/00; A41D 7/001; A41D 13/012; A41D 31/00; A62B 31/12; A62B 35/00; A62B 35/10  
See application file for complete search history.

- 4,052,762 A \* 10/1977 Zawislak ..... B63C 9/115 441/102
- 4,194,257 A \* 3/1980 Martin ..... B63C 9/11 182/3
- 4,276,670 A \* 7/1981 Marchello ..... B63C 9/115 441/115

(Continued)

**OTHER PUBLICATIONS**

“Speedo kids’ begin to swim float coach,” [online], posted Mar. 26, 2015, retrieved Nov. 2, 2016, retrieved from <[https://www.amazon.com/Speedo-Kids-Begin-Float-Coach/dp/B00O1YF1HI/ref=pd\\_sim\\_21\\_3?\\_encoding=UTF8&psc=1&refRID=M3NKAG9BBE3DP0ZQFPV3](https://www.amazon.com/Speedo-Kids-Begin-Float-Coach/dp/B00O1YF1HI/ref=pd_sim_21_3?_encoding=UTF8&psc=1&refRID=M3NKAG9BBE3DP0ZQFPV3)>.\*

(Continued)

*Primary Examiner* — Lakiya Rogers  
*Assistant Examiner* — Debra Callahan  
(74) *Attorney, Agent, or Firm* — Wolf, Greenfield & Sacks, P.C.

(57) **CLAIM**

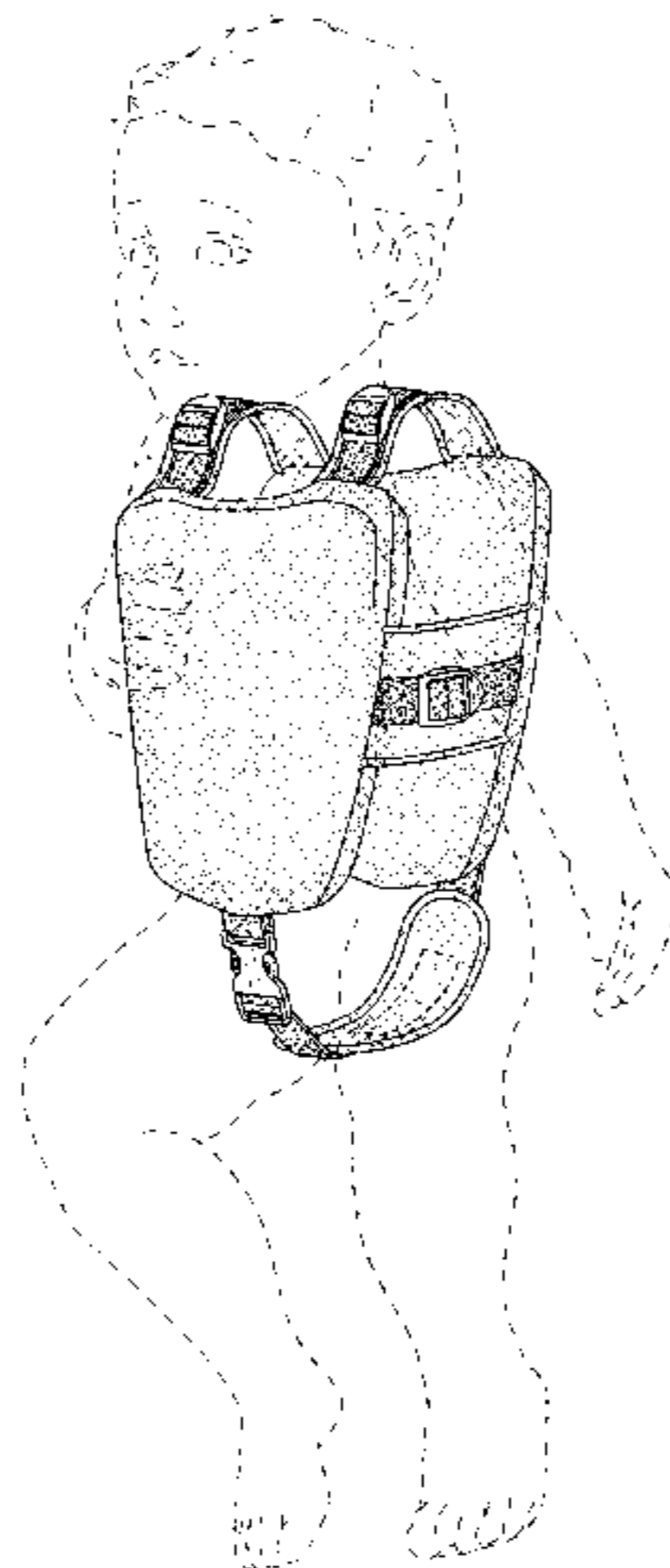
The ornamental design for a swimming aid, as shown and described.

**DESCRIPTION**

FIG. 1 is a perspective view of a swimming aid in accordance with my new design.  
FIG. 2 is a top plan view of the swimming aid.  
FIG. 3 is a front elevational view of the swimming aid of FIG. 1.  
FIG. 4 is a side elevational view of the swimming aid as seen from the right side of FIG. 1, the left side elevational view being a mirror image thereof.  
FIG. 5 is a rear elevational view of the swimming aid of FIG. 1; and,  
FIG. 6 is a bottom plan view of the swimming aid.  
The broken lines depicting a child’s body in FIG. 1 represents environmental subject matter and forms no part of the claimed design.

**1 Claim, 3 Drawing Sheets**

- (56) **References Cited**  
U.S. PATENT DOCUMENTS  
D126,882 S \* 4/1941 De Candia ..... D21/805  
3,094,724 A \* 6/1963 Lerner ..... B63C 9/115  
2/48



(56)

**References Cited**

U.S. PATENT DOCUMENTS

|              |      |         |                   |                         |
|--------------|------|---------|-------------------|-------------------------|
| D292,015     | S *  | 9/1987  | McWaters .....    | D2/732                  |
| D293,960     | S *  | 2/1988  | Berenson .....    | D2/731                  |
| D310,700     | S *  | 9/1990  | Jones .....       | D21/805                 |
| D331,613     | S *  | 12/1992 | White .....       | D2/731                  |
| D332,842     | S *  | 1/1993  | Floyd .....       | D14/163                 |
| D344,120     | S *  | 2/1994  | Helt .....        | D21/804                 |
| D355,751     | S *  | 2/1995  | Dagan .....       | D2/829                  |
| D457,588     | S *  | 5/2002  | Wilbanks .....    | D21/760                 |
| 6,786,786    | B1 * | 9/2004  | Davis .....       | B63C 9/135<br>441/120   |
| 7,037,155    | B2 * | 5/2006  | Freeman .....     | B63C 9/135<br>441/106   |
| D583,894     | S *  | 12/2008 | Weedman .....     | D21/803                 |
| D706,374     | S *  | 6/2014  | Rietz .....       | D21/805                 |
| D726,272     | S *  | 4/2015  | Broadfoot .....   | D21/805                 |
| D727,450     | S *  | 4/2015  | Norris .....      | D21/805                 |
| D729,499     | S *  | 5/2015  | Christenson ..... | D2/829                  |
| D760,478     | S *  | 7/2016  | Puckett .....     | D2/829                  |
| 2011/0180579 | A1 * | 7/2011  | Richardson .....  | A41D 13/0012<br>224/657 |
| 2014/0325731 | A1 * | 11/2014 | Gould .....       | B63C 9/11<br>2/67       |

OTHER PUBLICATIONS

“Aqua Leisure girls pad trainer, medium,” [online], posted Jun. 5, 2015, retrieved Nov. 2, 2016, retrieved from <[https://www.amazon.com/Aqua-Leisure-Girls-Trainer-Medium/dp/B00O128UAA/ref=sr\\_1\\_7?s=toys-and-games&ie=UTF8&qid=1478093689&sr=1-7&refinements=p\\_4%3AAqua+Leisure](https://www.amazon.com/Aqua-Leisure-Girls-Trainer-Medium/dp/B00O128UAA/ref=sr_1_7?s=toys-and-games&ie=UTF8&qid=1478093689&sr=1-7&refinements=p_4%3AAqua+Leisure)>.\*

\* cited by examiner

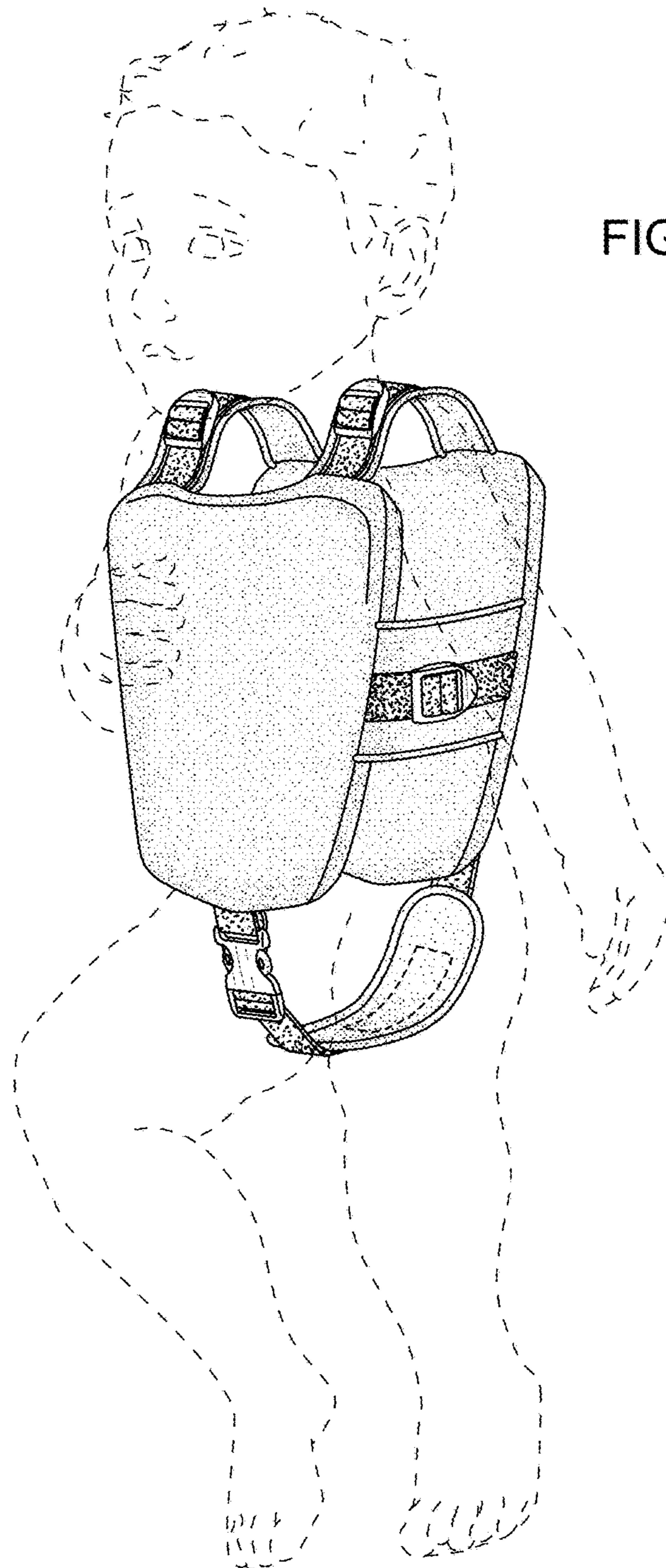


FIG. 1

FIG. 2

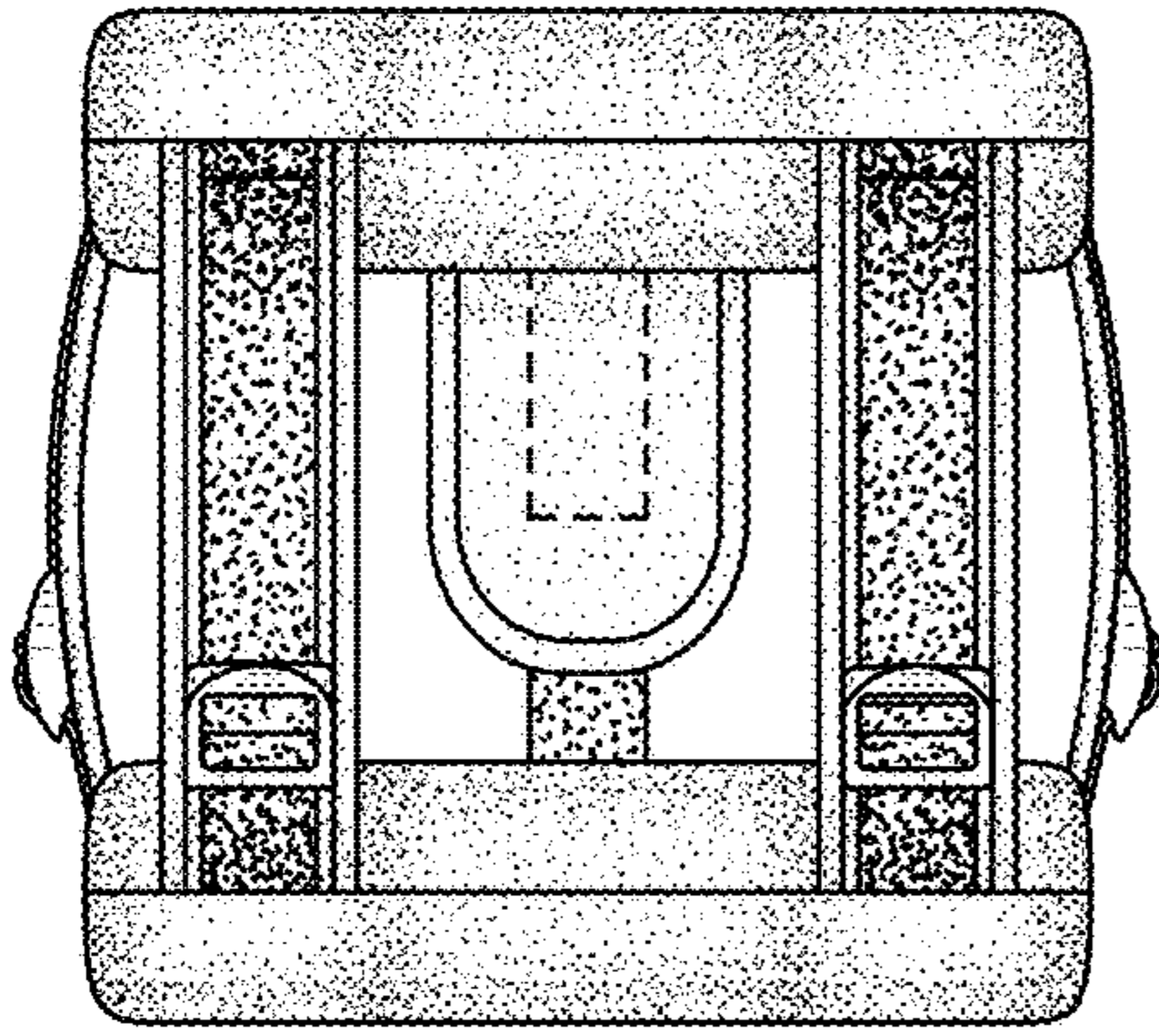


FIG. 3

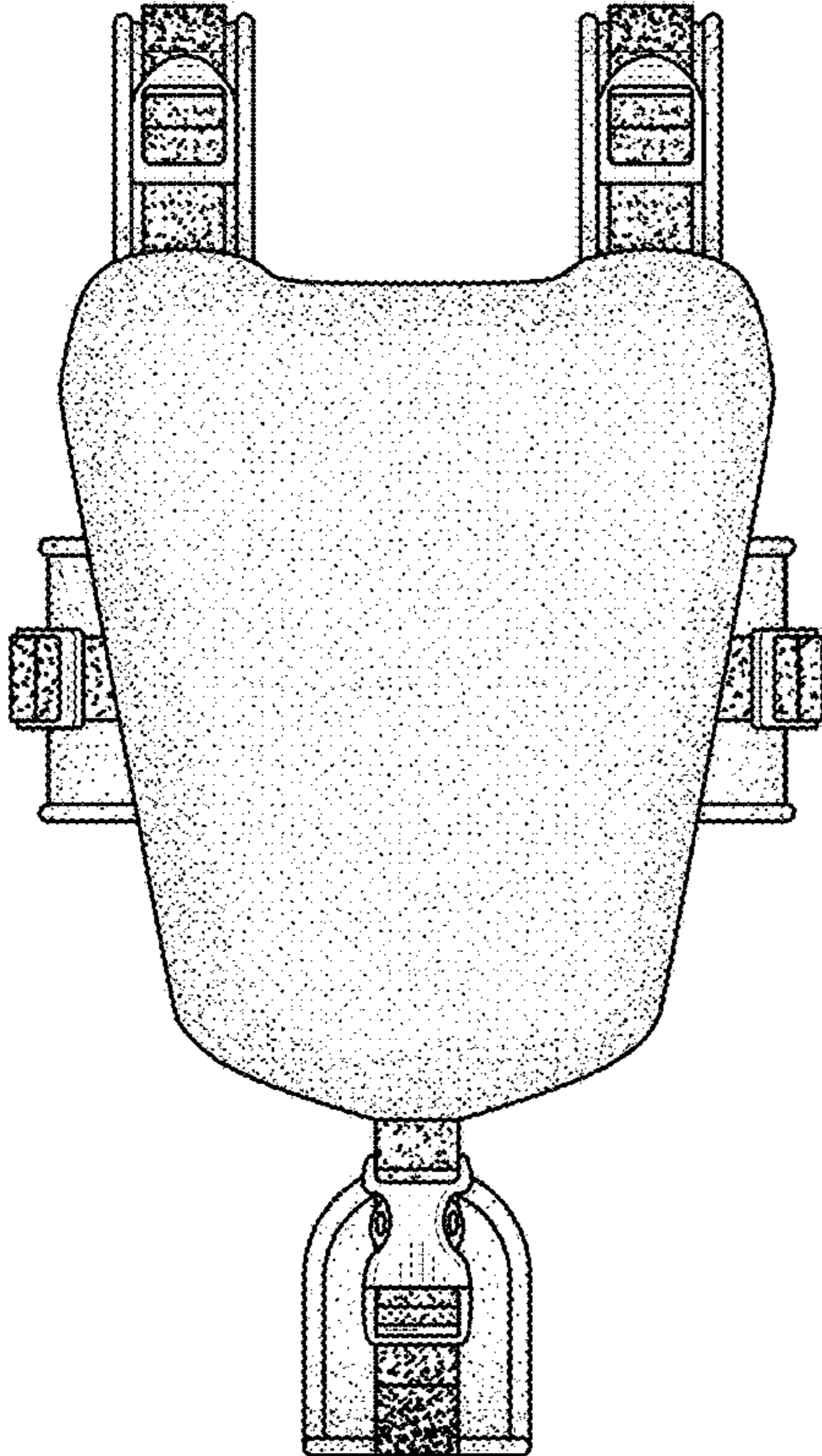


FIG. 4

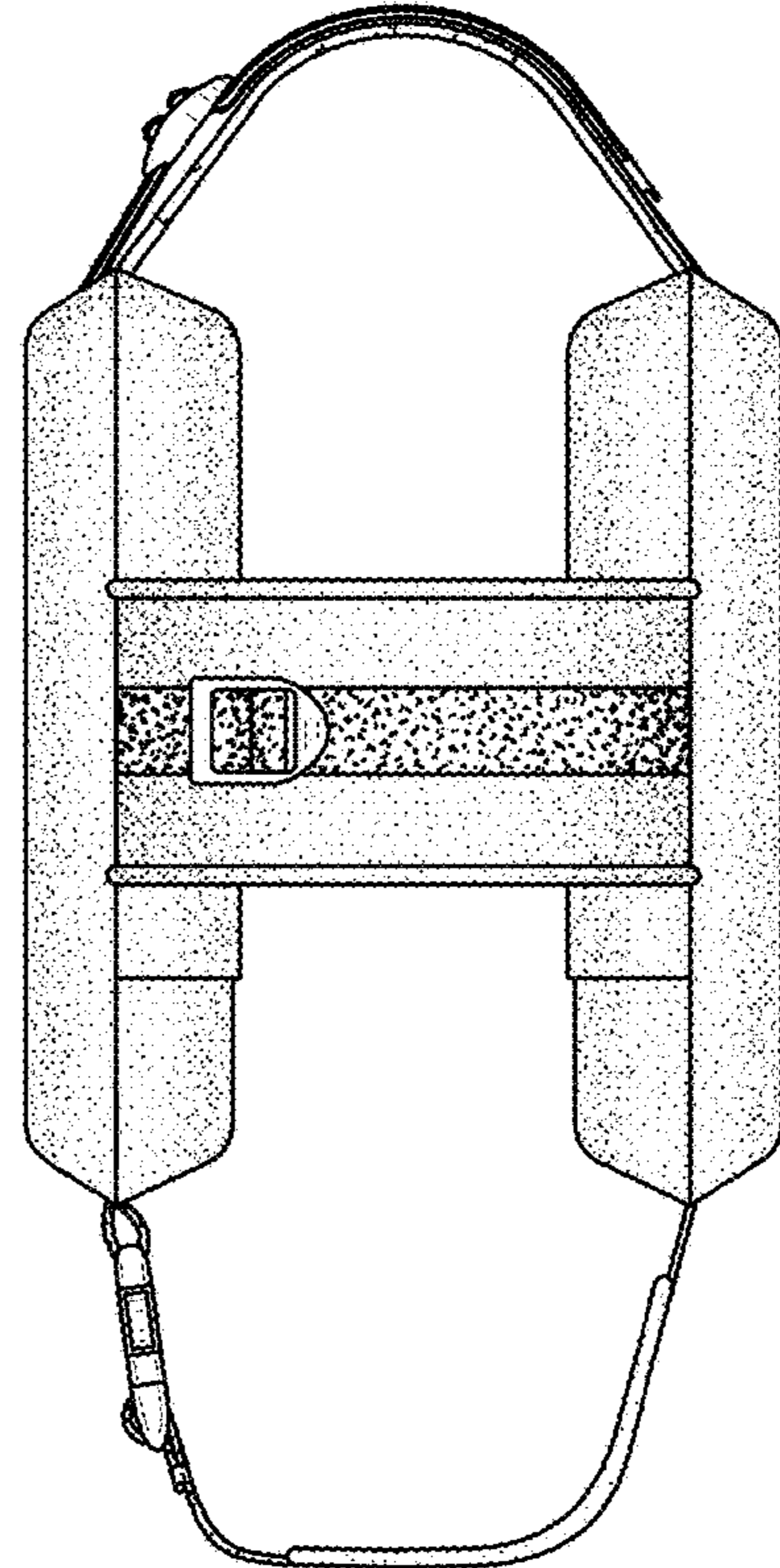


FIG. 5

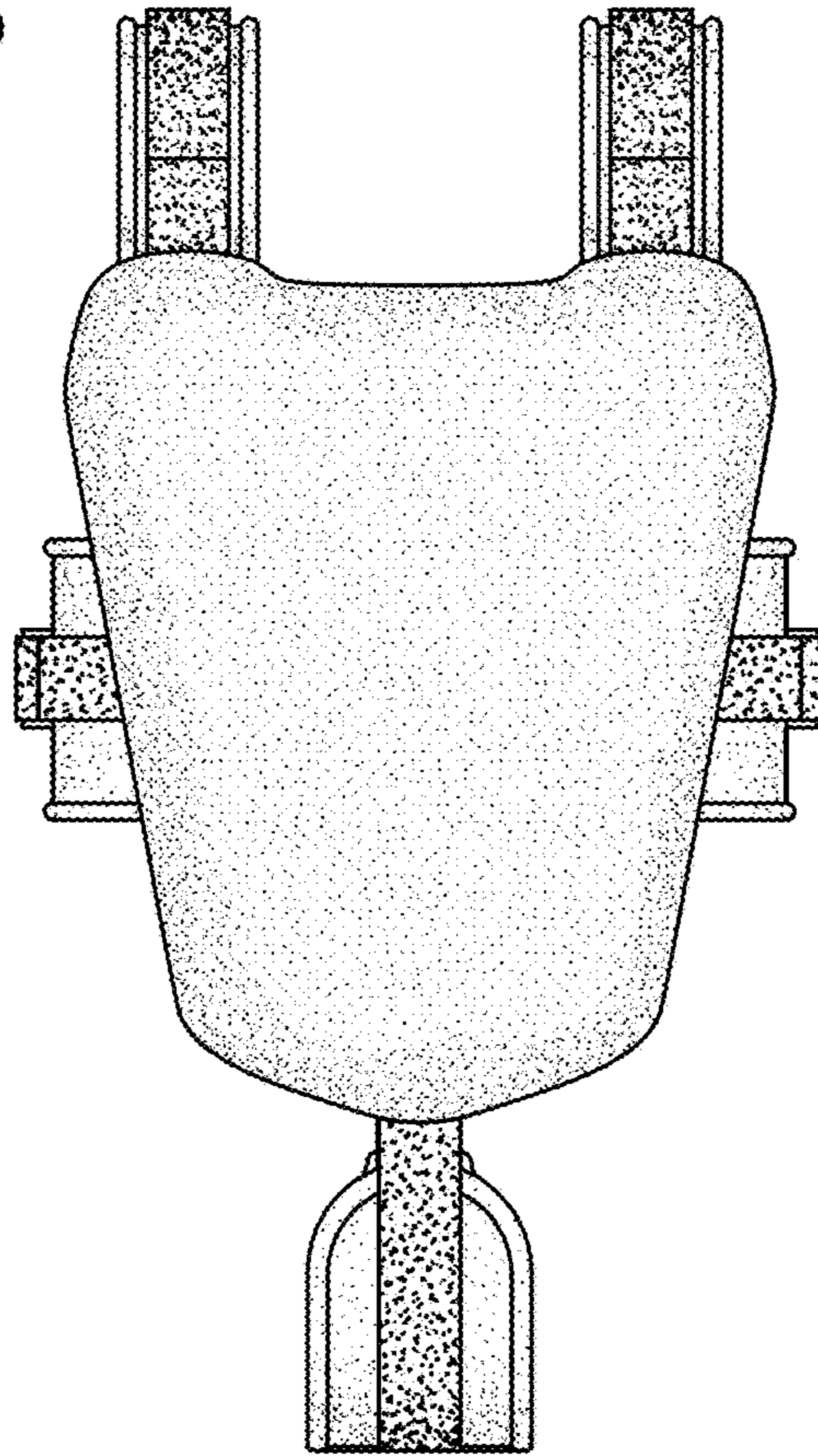


FIG. 6

