



US00D791894S

(12) **United States Design Patent** (10) **Patent No.:** **US D791,894 S**
Oyler (45) **Date of Patent:** **** Jul. 11, 2017**

(54) **GOLF CLUB HEAD**

(71) Applicant: **Golf Tailor, LLC**, Edmond, OK (US)

(72) Inventor: **Tim Oyler**, Edmond, OK (US)

(73) Assignee: **Golf Tailor, LLC**, Edmond, OK (US)

(**) Term: **15 Years**

(21) Appl. No.: **29/585,229**

(22) Filed: **Nov. 22, 2016**

(51) **LOC (10) Cl.** **21-02**

(52) **U.S. Cl.**
USPC **D21/752**

(58) **Field of Classification Search**

USPC D21/733, 752, 759

CPC A63B 53/04; A63B 53/0466; A63B 2053/002; A63B 2053/0445; A63B

(Continued)

(56) **References Cited**

U.S. PATENT DOCUMENTS

1,089,881 A * 3/1914 Taylor A63B 53/04
473/328

1,669,482 A * 5/1928 Miller A63B 53/04
473/328

(Continued)

Primary Examiner — Mitchell Siegel

(74) *Attorney, Agent, or Firm* — Caesar Rivise, PC

(57) **CLAIM**

The ornamental design for the golf club head, as shown and described.

DESCRIPTION

FIG. 1 is a front isometric view of a golf club head showing my new design;

FIG. 2 is an enlarged top isometric view of the golf club head of FIG. 1;

FIG. 3 is a front elevational view of FIG. 2;

FIG. 4 is a rear elevational view of FIG. 2;

FIG. 5 is a right side elevational view of FIG. 2;

FIG. 6 is a left side elevational view of FIG. 2;

FIG. 7 is a top plan view of FIG. 2;

FIG. 8 is a bottom plan view of FIG. 2;

FIG. 9 is a front isometric view of a golf club head showing a second embodiment my new design;

FIG. 10 is an enlarged top isometric view of the golf club head of FIG. 9;

FIG. 11 is a front elevational view of FIG. 10;

FIG. 12 is a rear elevational view of FIG. 10;

FIG. 13 is a right side elevational view of FIG. 10;

FIG. 14 is a left side elevational view of FIG. 10;

FIG. 15 is a top plan view of FIG. 10;

FIG. 16 is a bottom plan view of FIG. 10;

FIG. 17 is a front isometric view of a golf club head showing a third embodiment of my new design;

FIG. 18 is an enlarged top isometric view of the golf club head of FIG. 17;

FIG. 19 is a front elevational view of FIG. 18;

FIG. 20 is a rear elevational view of FIG. 18;

FIG. 21 is a right side elevational view of FIG. 18;

FIG. 22 is a left side elevational view of FIG. 18;

FIG. 23 is a top plan view of FIG. 18;

FIG. 24 is a bottom plan view of FIG. 18;

FIG. 25 is a front isometric view of a golf club head showing a fourth embodiment my new design;

FIG. 26 is an enlarged top isometric view of the golf club head of FIG. 25;

FIG. 27 is a front elevational view of FIG. 26;

FIG. 28 is a rear elevational view of FIG. 26;

FIG. 29 is a right side elevational view of FIG. 26;

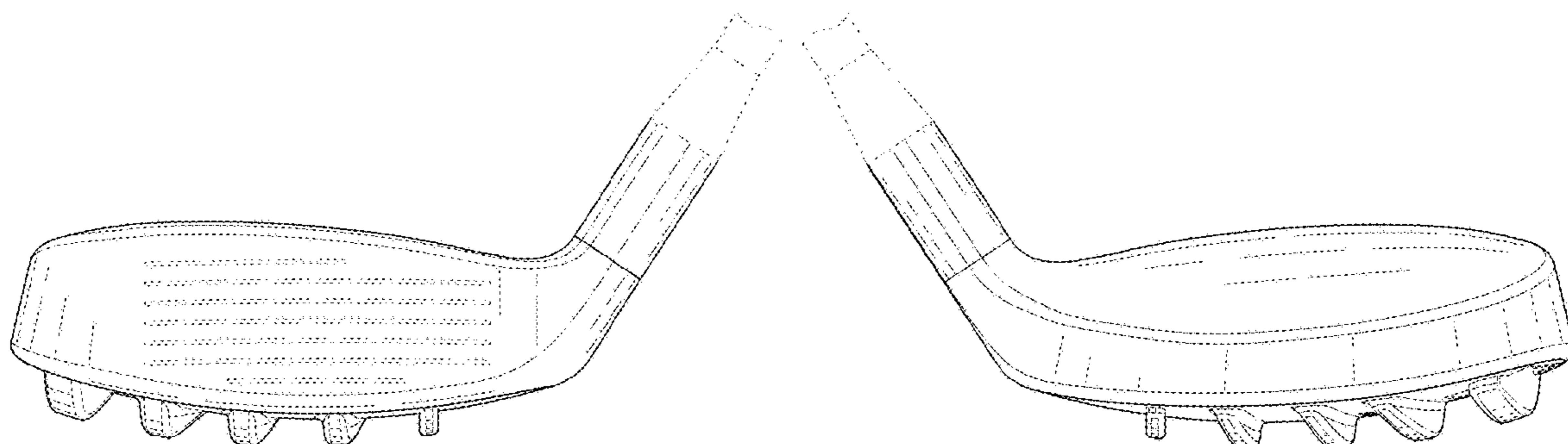
FIG. 30 is a left side elevational view of FIG. 26;

FIG. 31 is a top plan view of FIG. 26; and,

FIG. 32 is a bottom plan view of FIG. 26.

The features shown in broken lines in the drawing depict portions of the design that form no part of the claimed design.

1 Claim, 20 Drawing Sheets



US D791,894 S

Page 2

(58) **Field of Classification Search**
CPC . 2053/0433; A63B 2053/0437; A63B 53/0491
See application file for complete search history.

D371,816 S * 7/1996 Yoshioka D21/752
D377,509 S * 1/1997 Katayama D21/752
D394,688 S * 5/1998 Fox D21/733
5,762,566 A * 6/1998 King A63B 53/04
473/328

(56) **References Cited**

U.S. PATENT DOCUMENTS

3,830,503 A * 8/1974 Consoli A63B 53/04
473/328
4,332,388 A * 6/1982 Crow A63B 53/04
473/328
D266,344 S * 9/1982 Duclos D21/752
D332,476 S 1/1993 Dauguard
5,213,329 A * 5/1993 Okumoto A63B 53/04
473/328
5,280,911 A * 1/1994 Katayama A63B 53/04
473/328
D345,403 S * 3/1994 Sanchez D21/752
5,524,890 A * 6/1996 Kim A63B 53/04
473/242

5,803,830 A 9/1998 Austin et al.
D446,567 S * 8/2001 Nagai D21/759
D461,865 S * 8/2002 Nagai D21/759
6,780,121 B2 * 8/2004 Herber A63B 53/0466
473/242
D523,508 S * 6/2006 Shenoha D21/759
D524,889 S * 7/2006 Yu D21/747
D531,245 S * 10/2006 Shenoha D21/759
7,618,330 B2 * 11/2009 Krewalk A63B 53/04
473/328
D638,894 S * 5/2011 Potter D21/759
D698,880 S * 2/2014 Donaghue D21/747
D718,399 S * 11/2014 Glod D21/759
D735,827 S * 8/2015 Glod D21/759

* cited by examiner

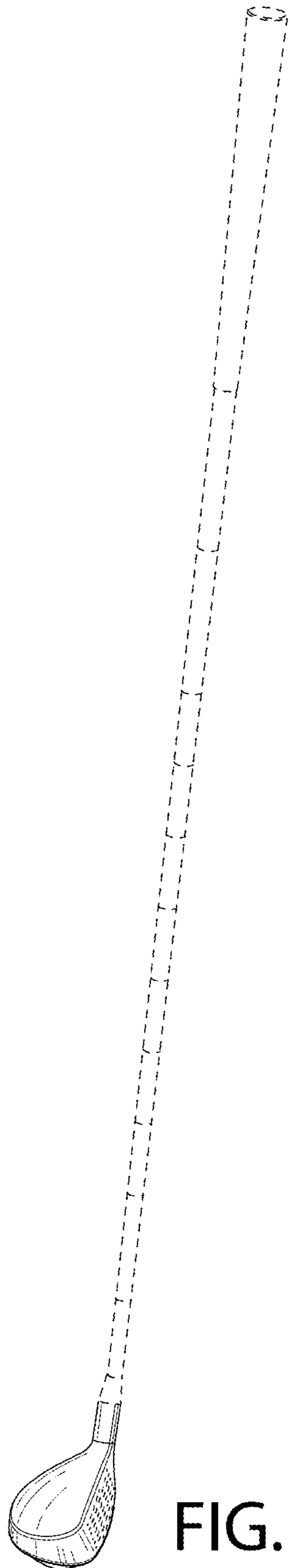


FIG. 1

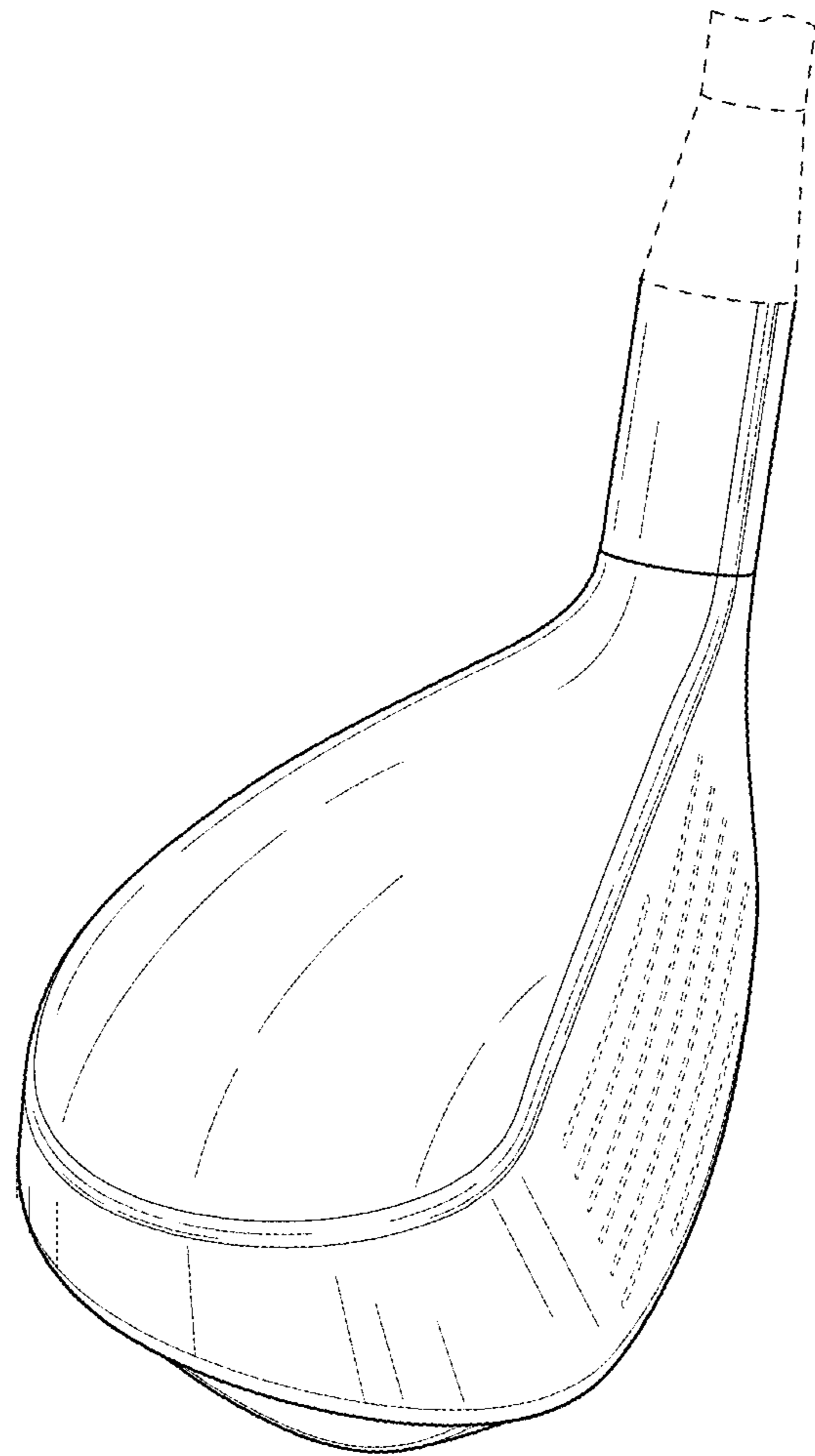


FIG. 2

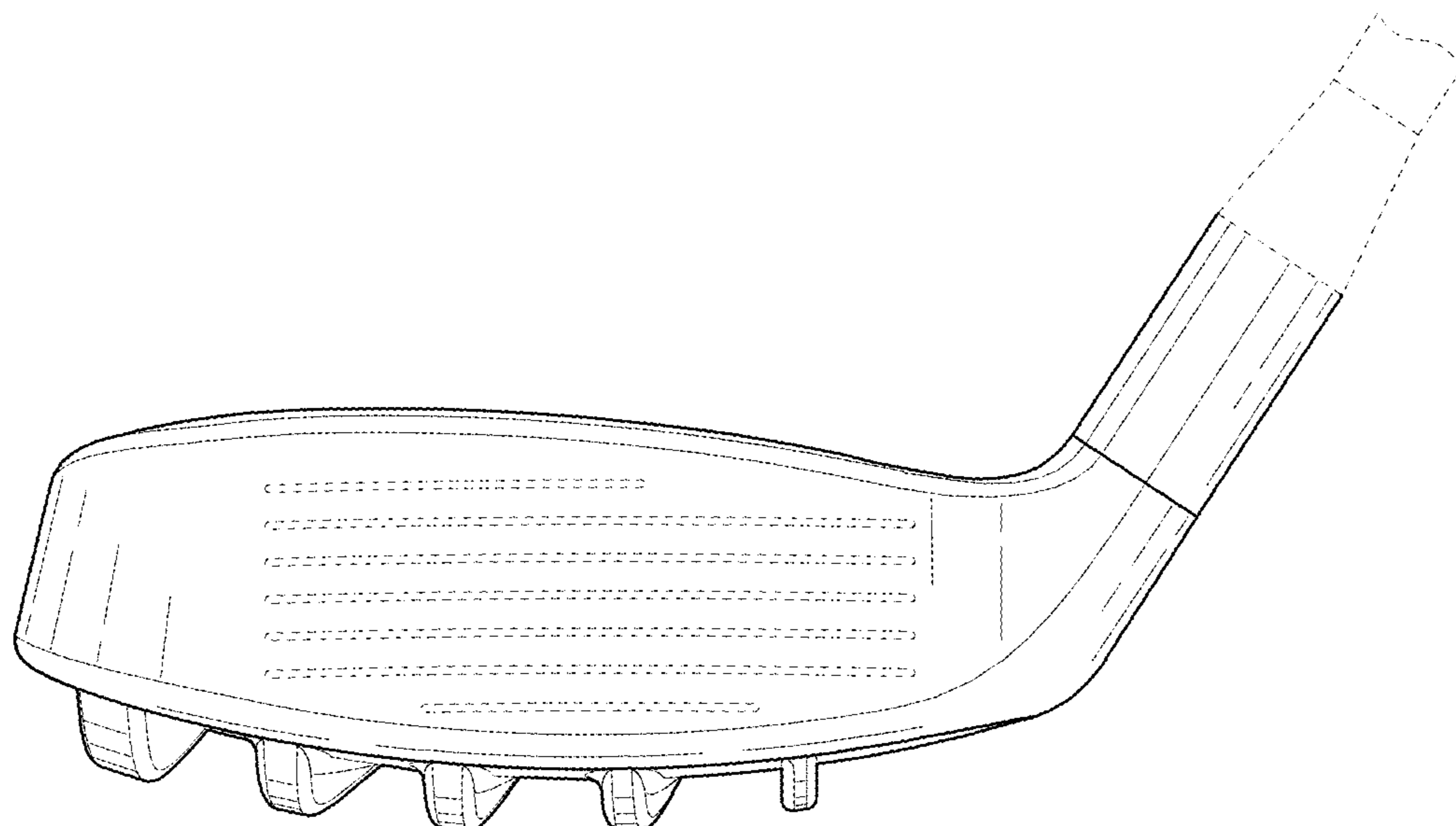


FIG. 3

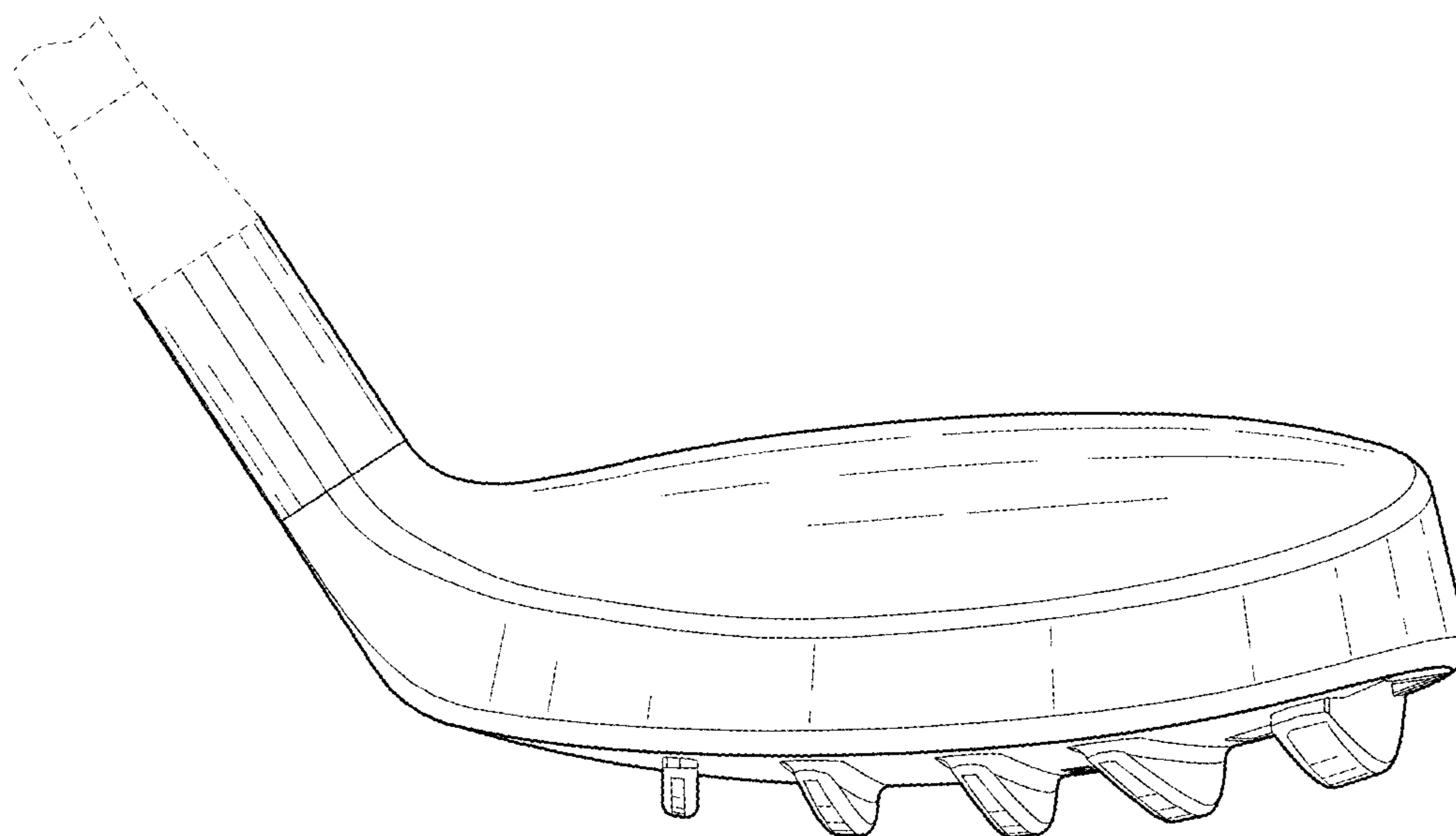


FIG. 4

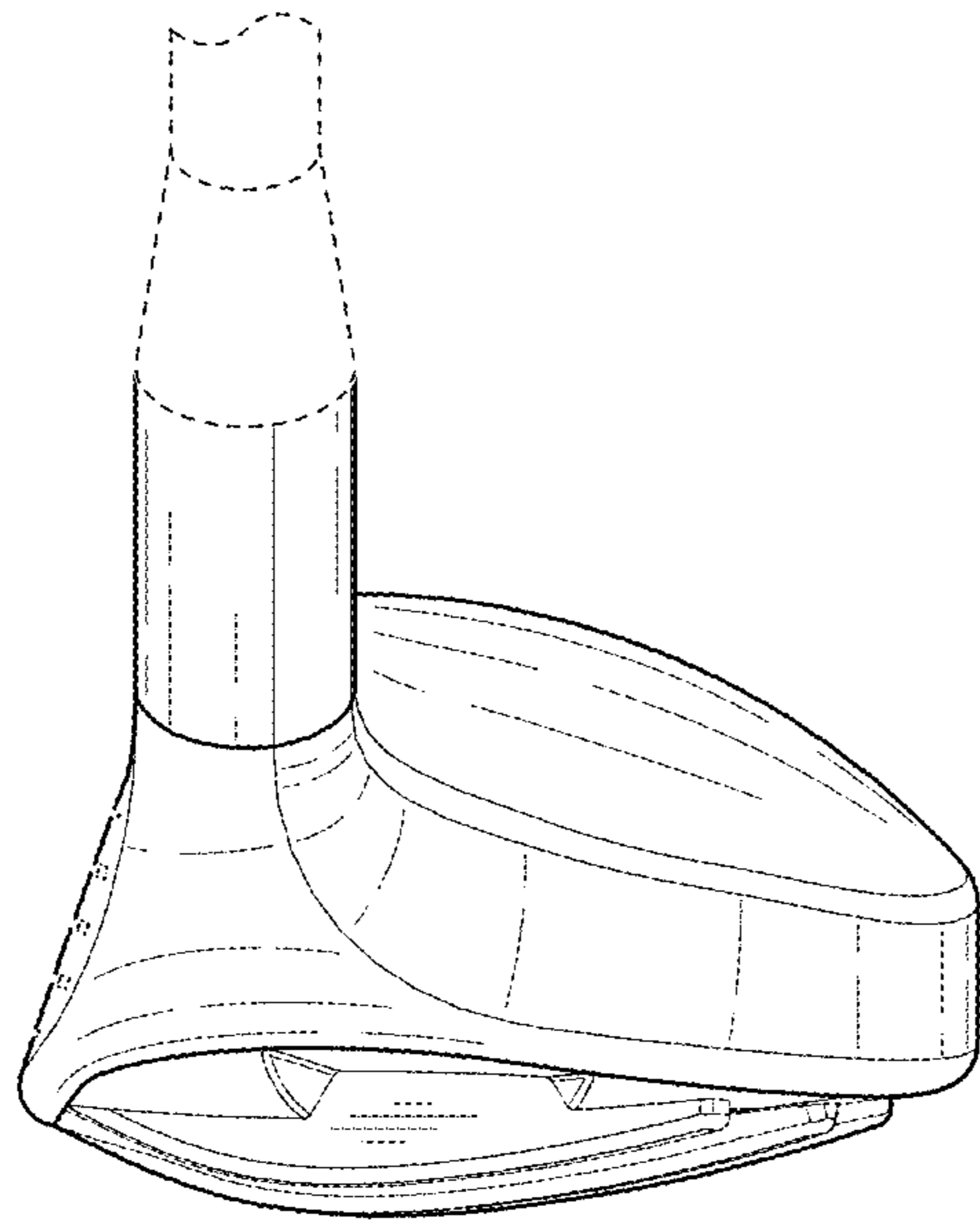


FIG. 5

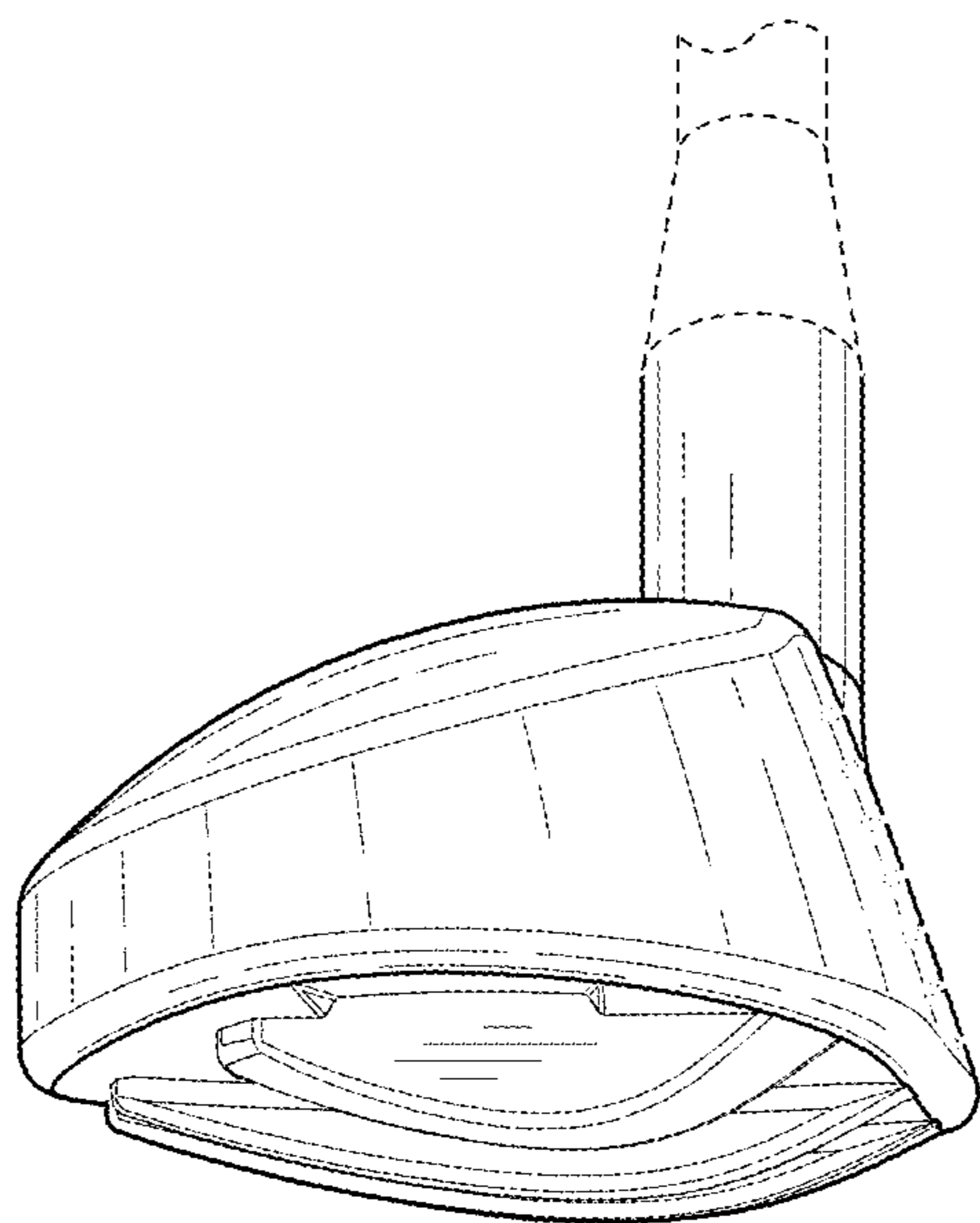


FIG. 6

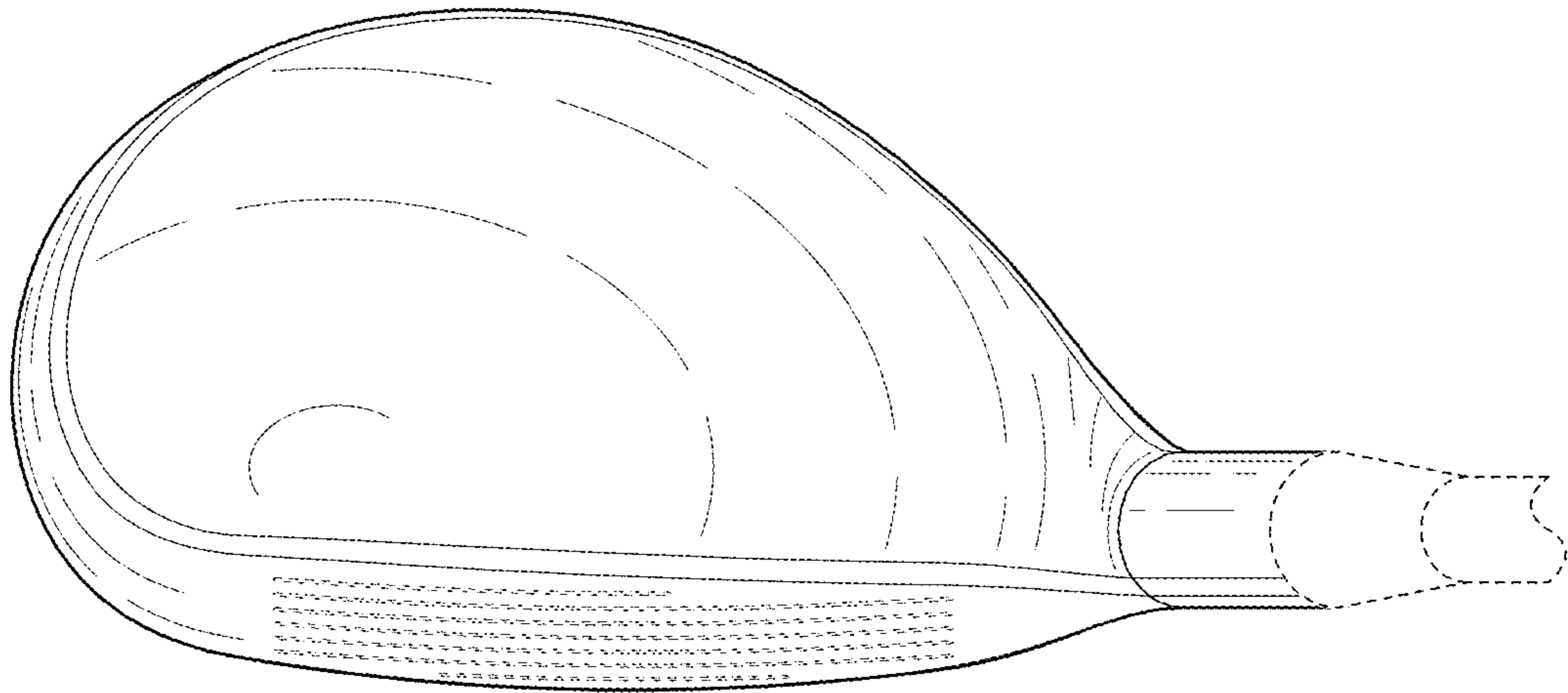


FIG. 7

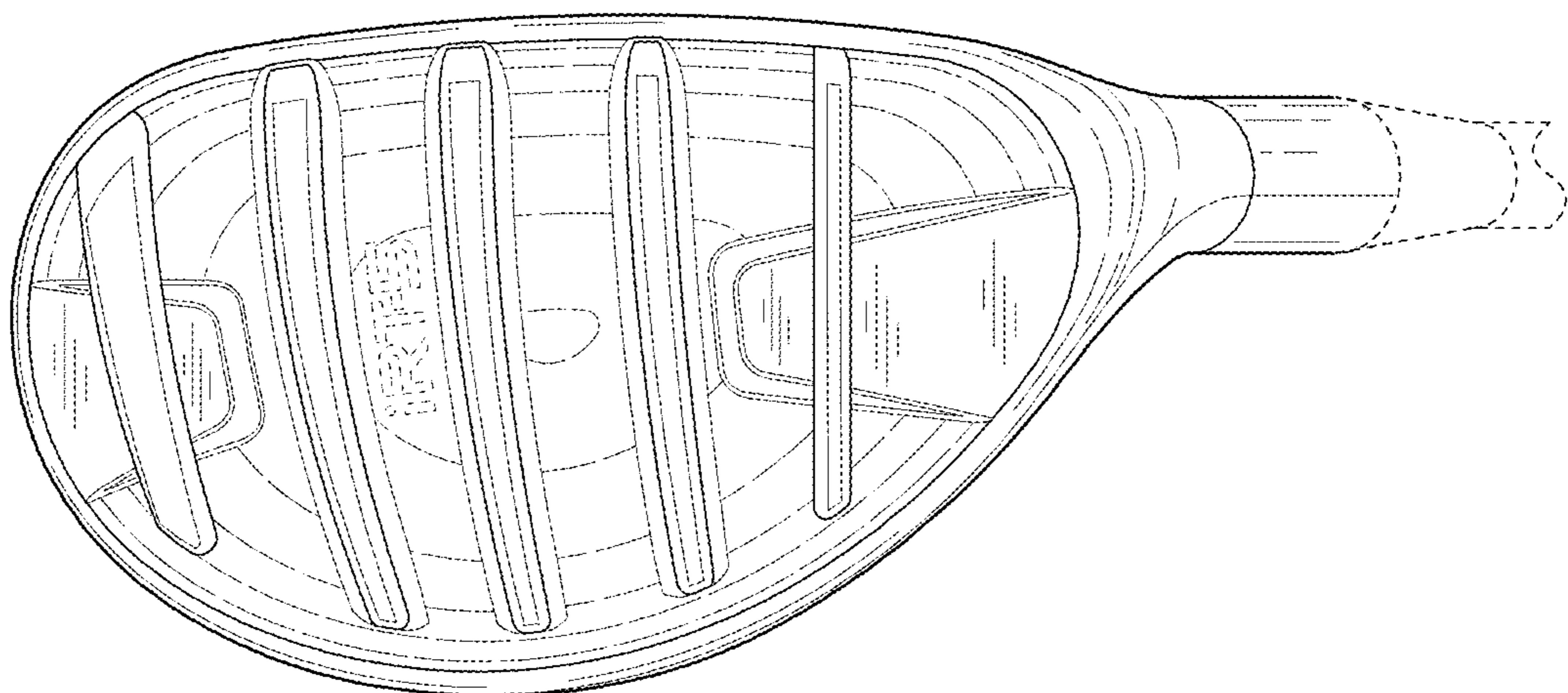


FIG. 8

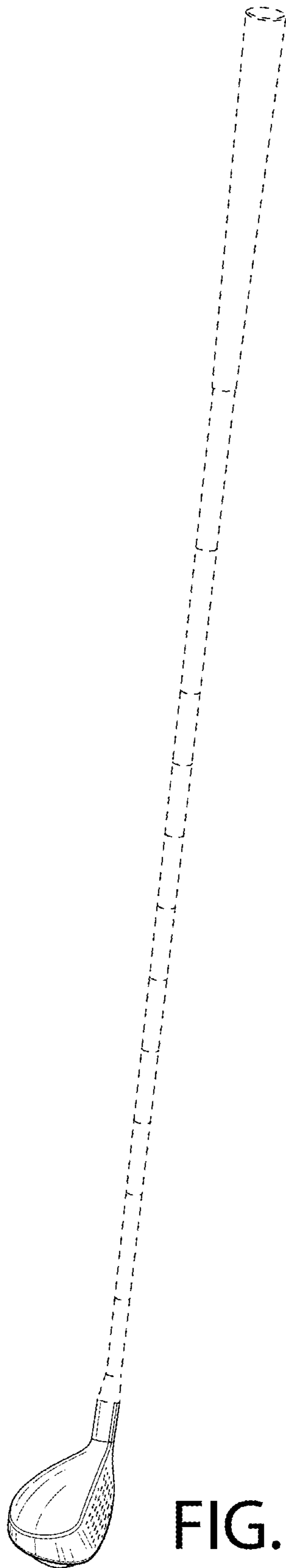


FIG. 9

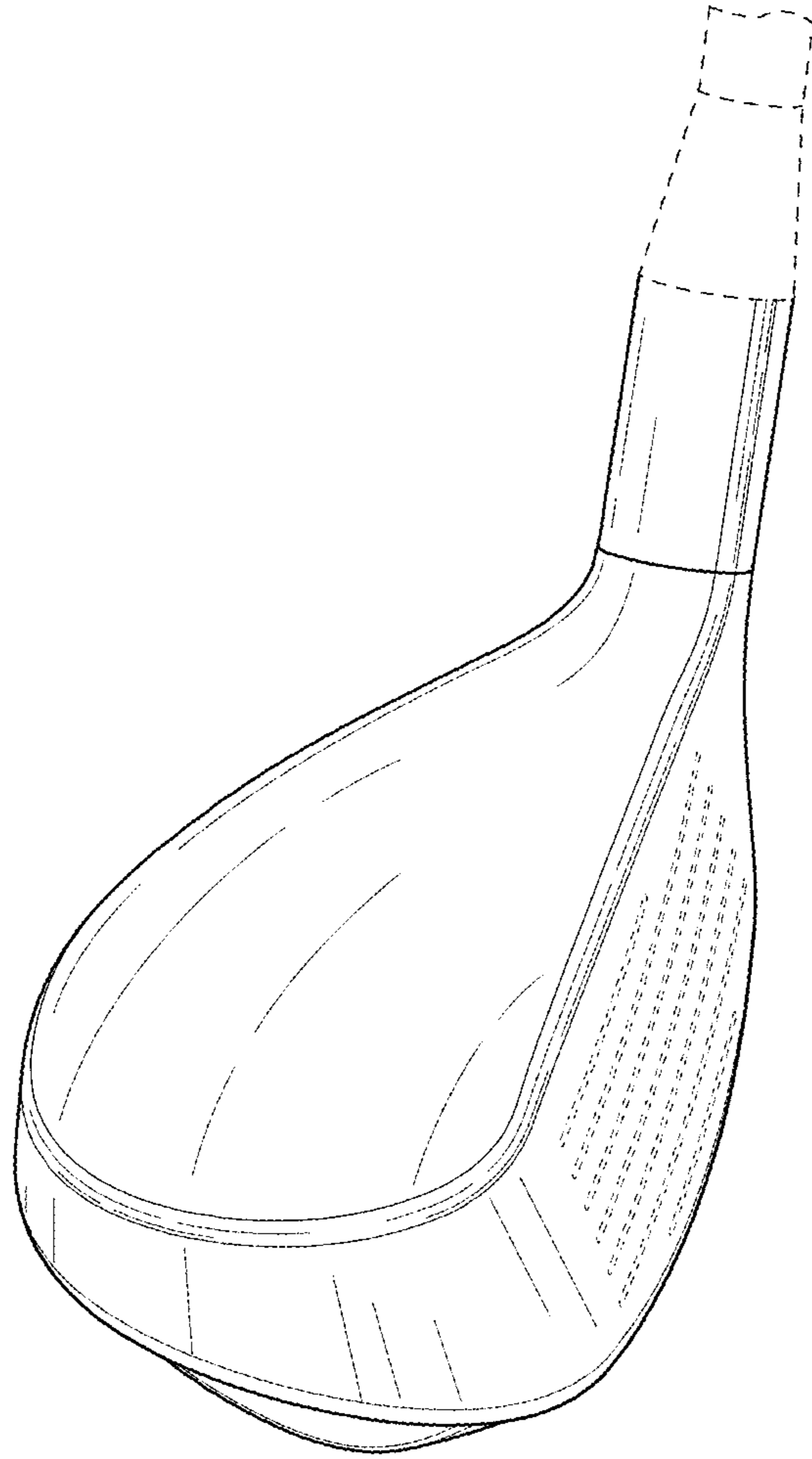


FIG. 10

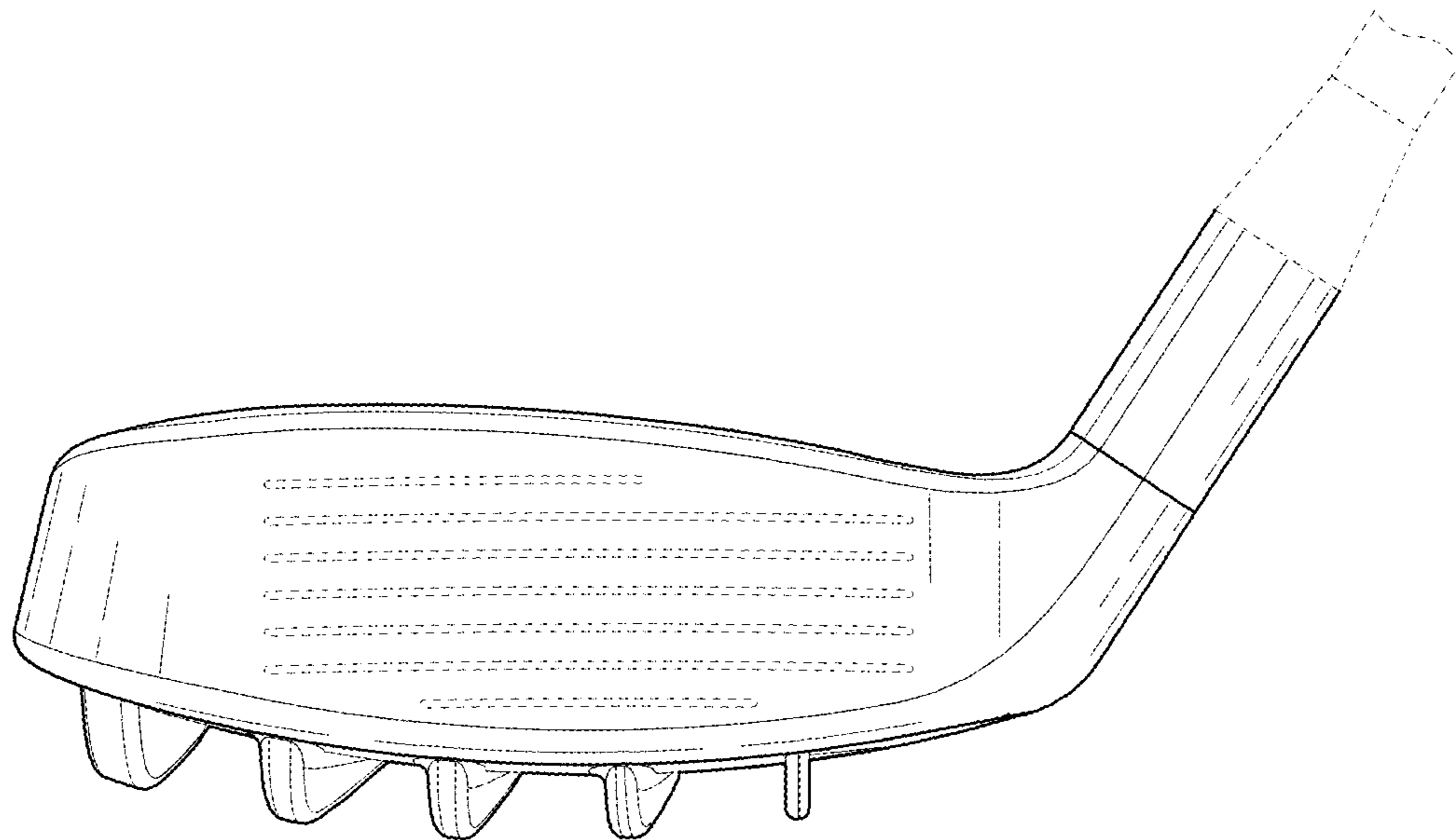


FIG. 11

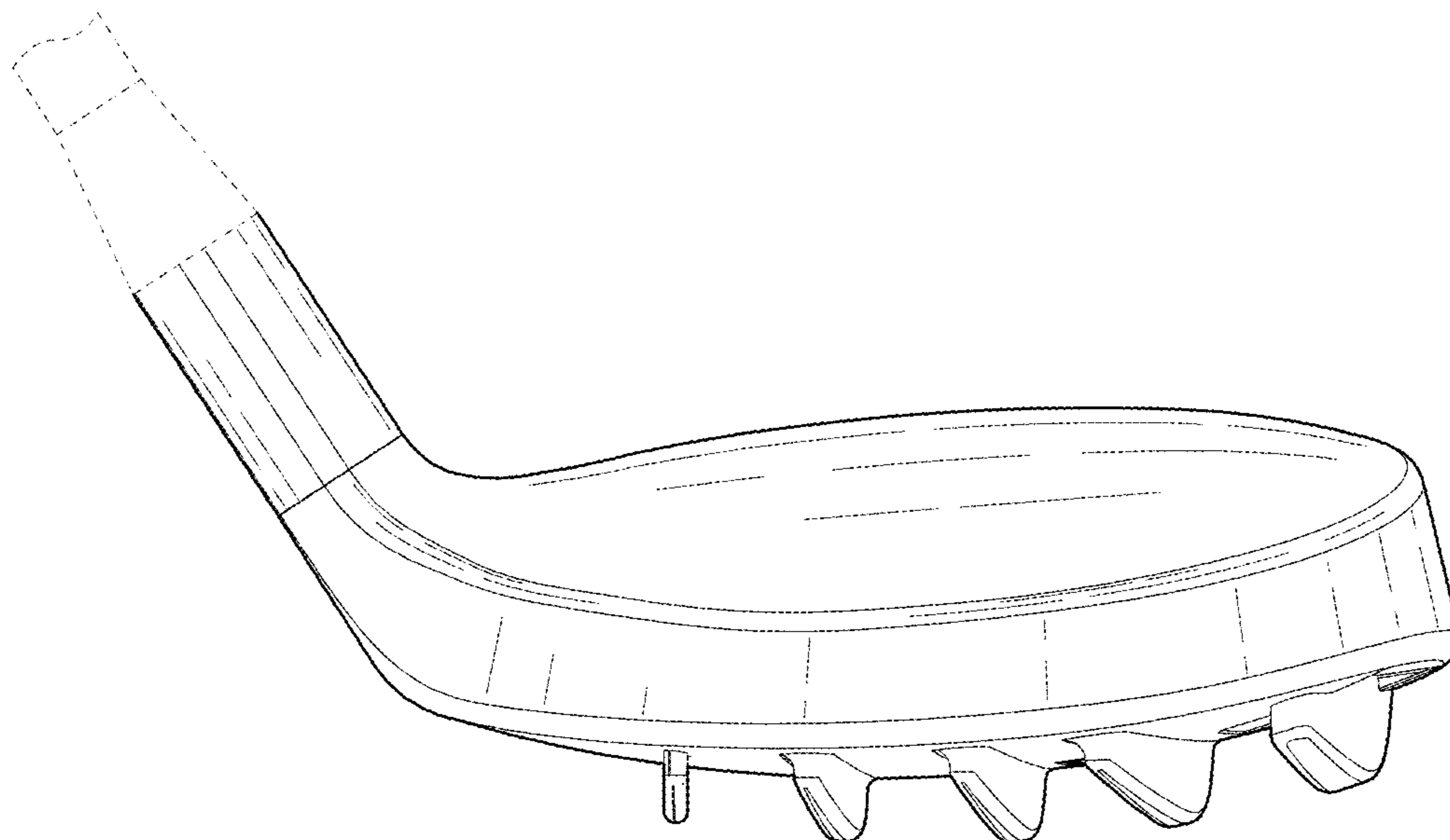


FIG. 12

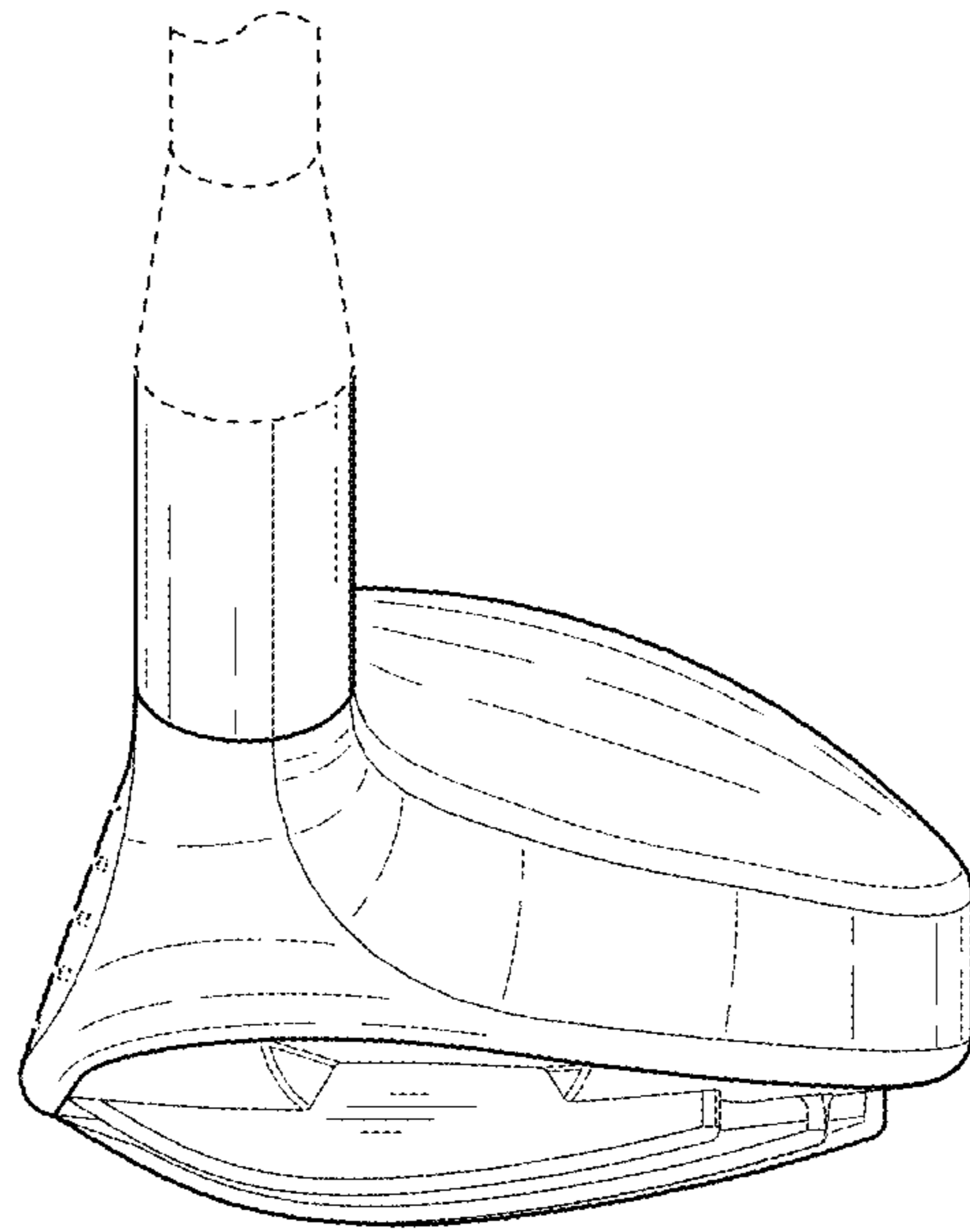


FIG. 13

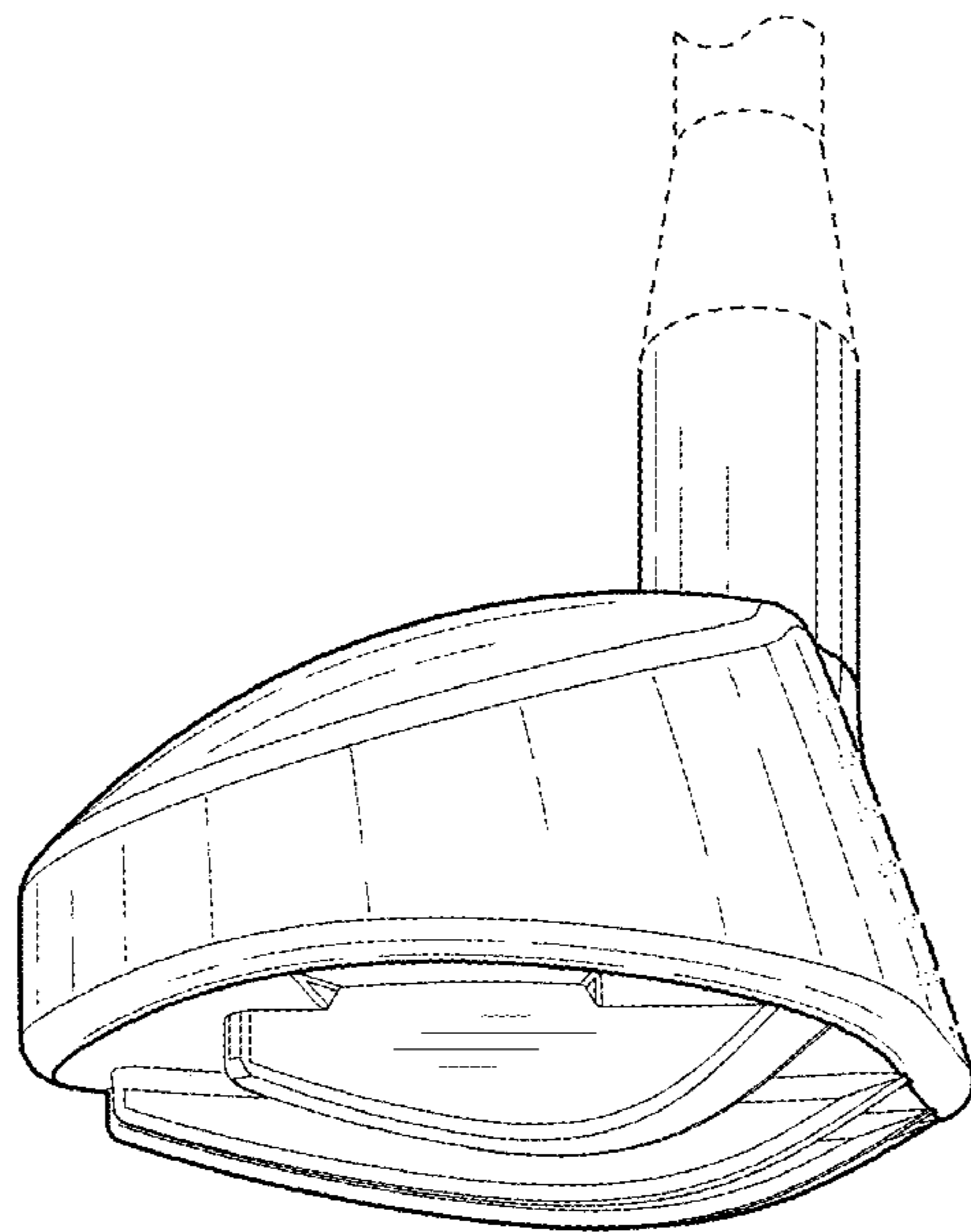


FIG. 14

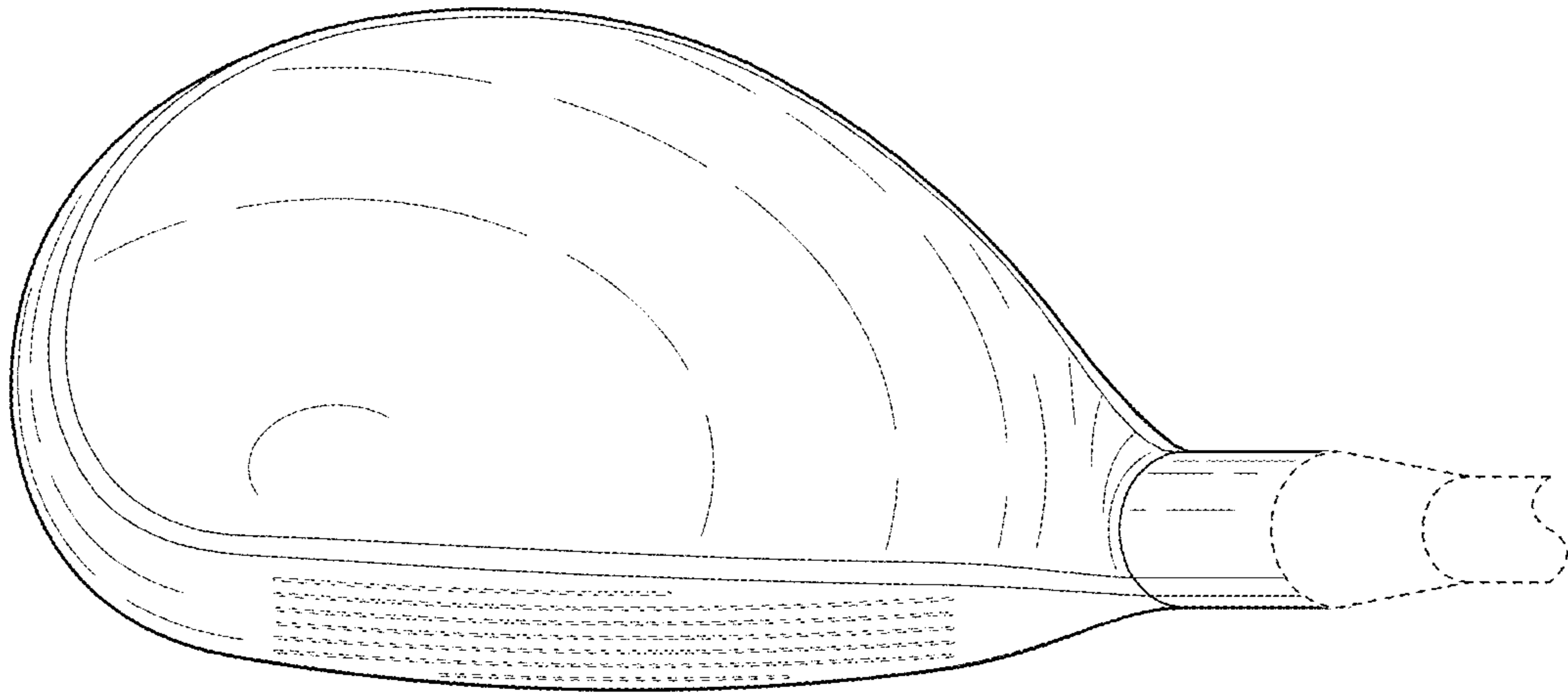


FIG. 15

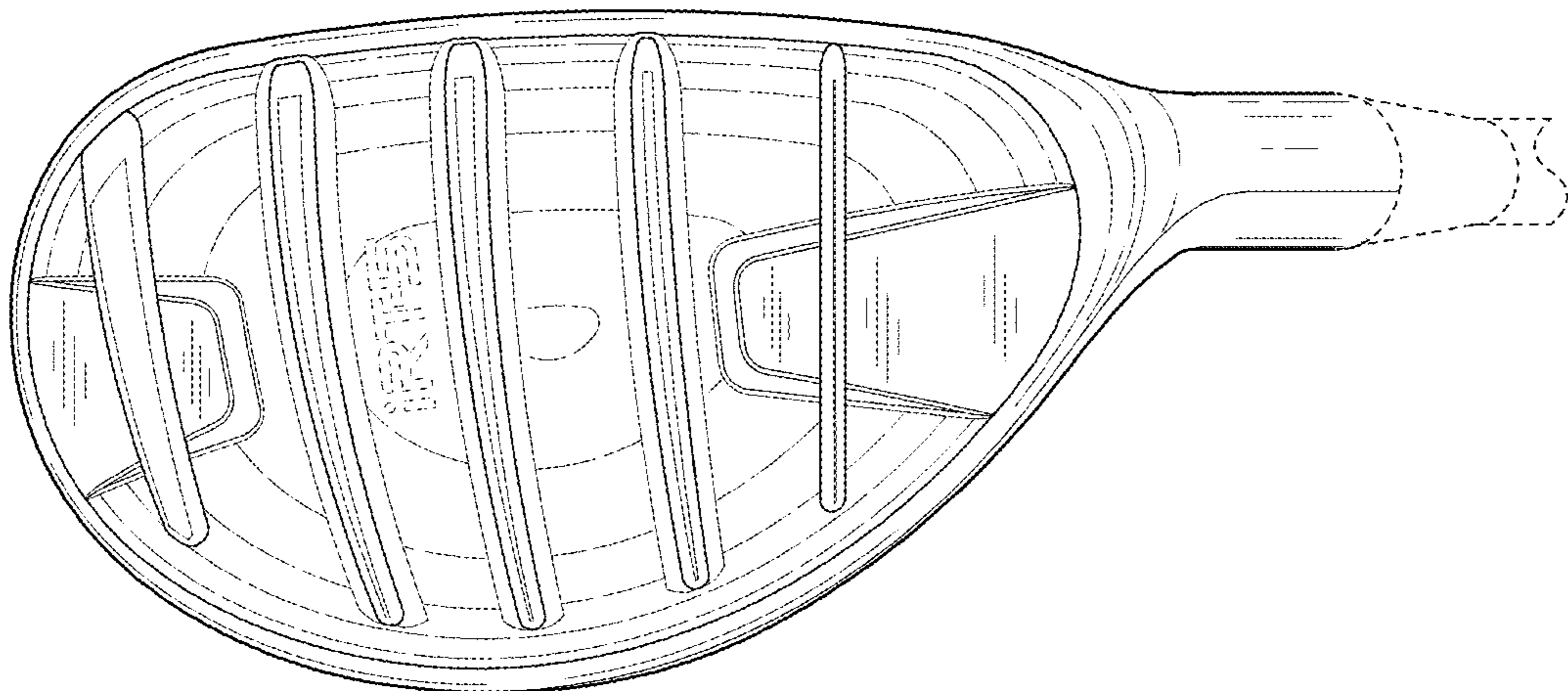


FIG. 16

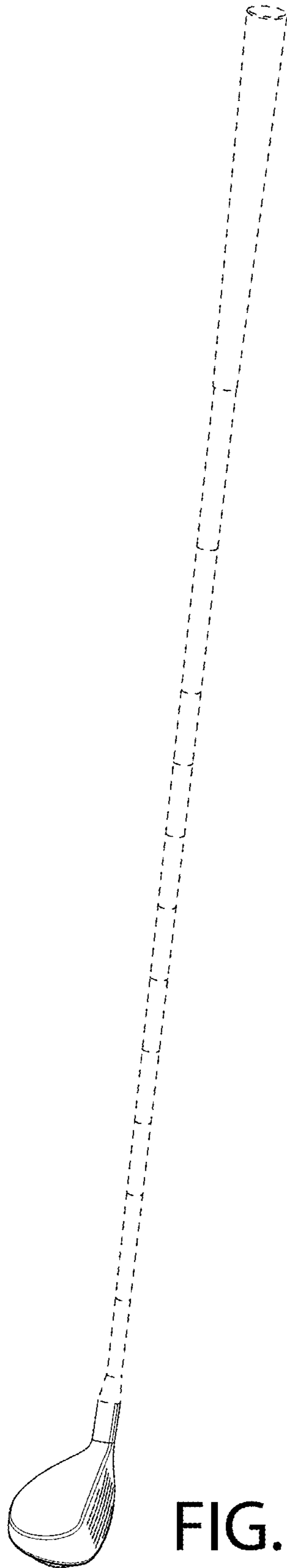


FIG. 17

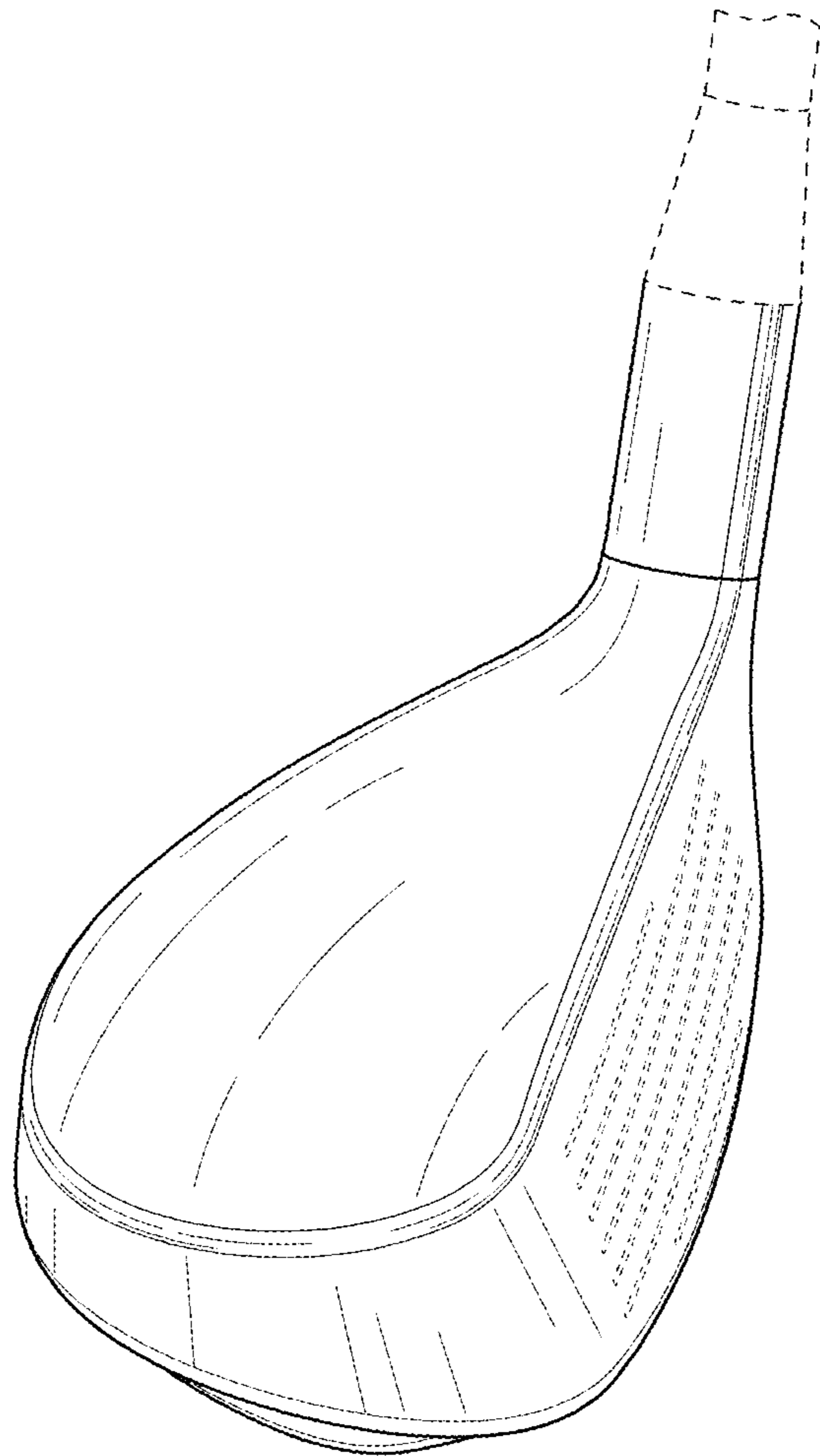


FIG. 18

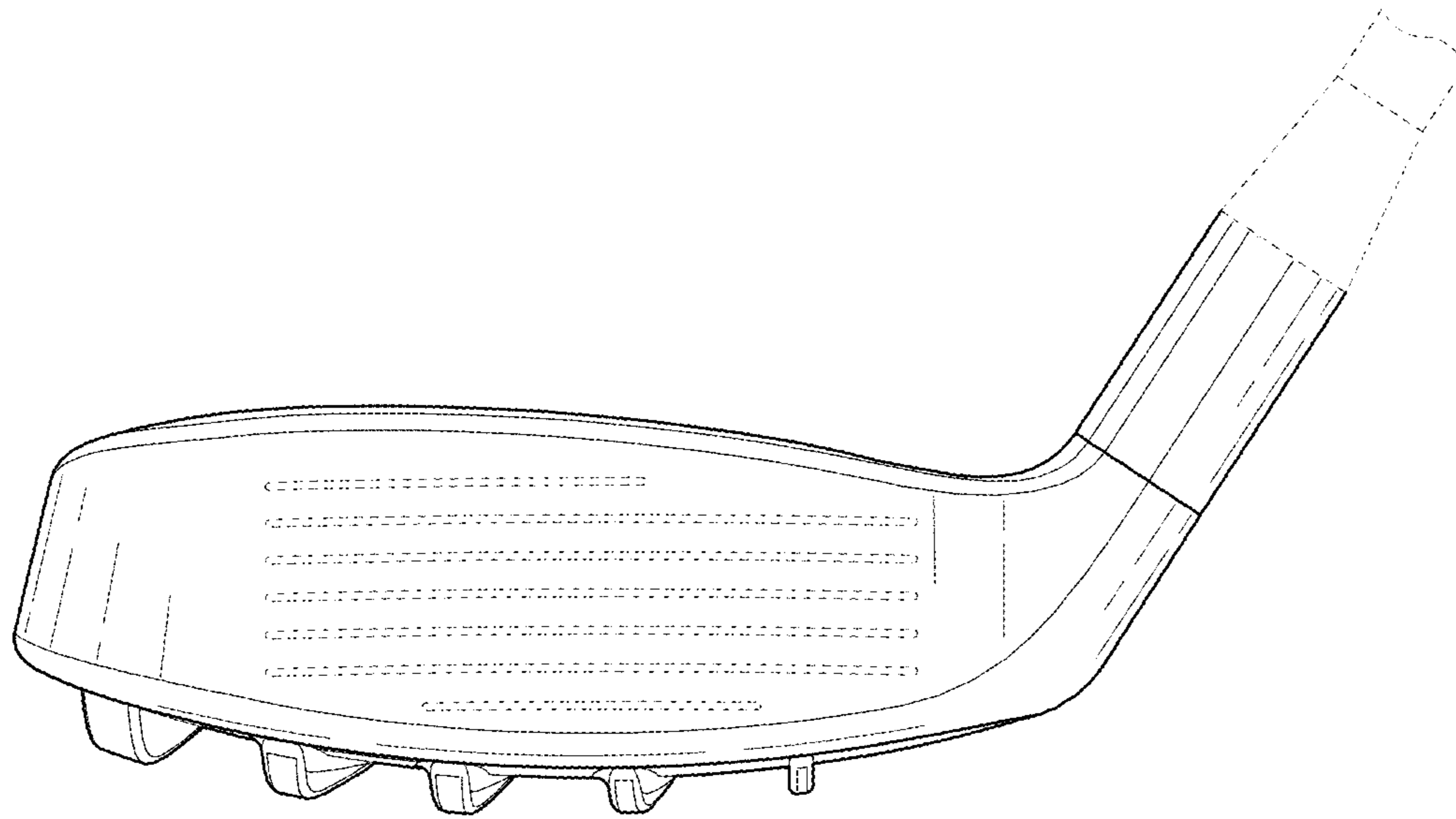


FIG. 19

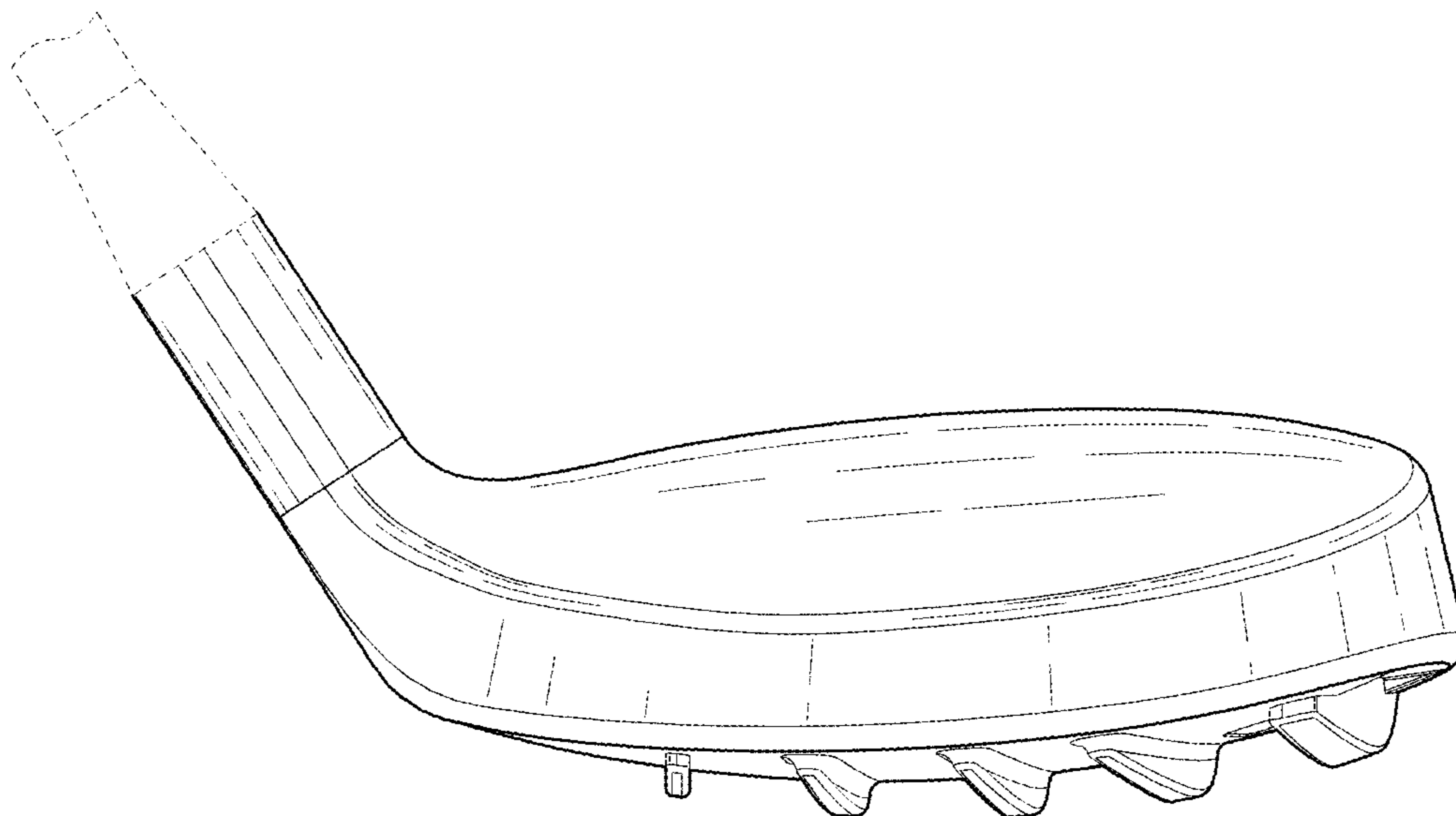


FIG. 20

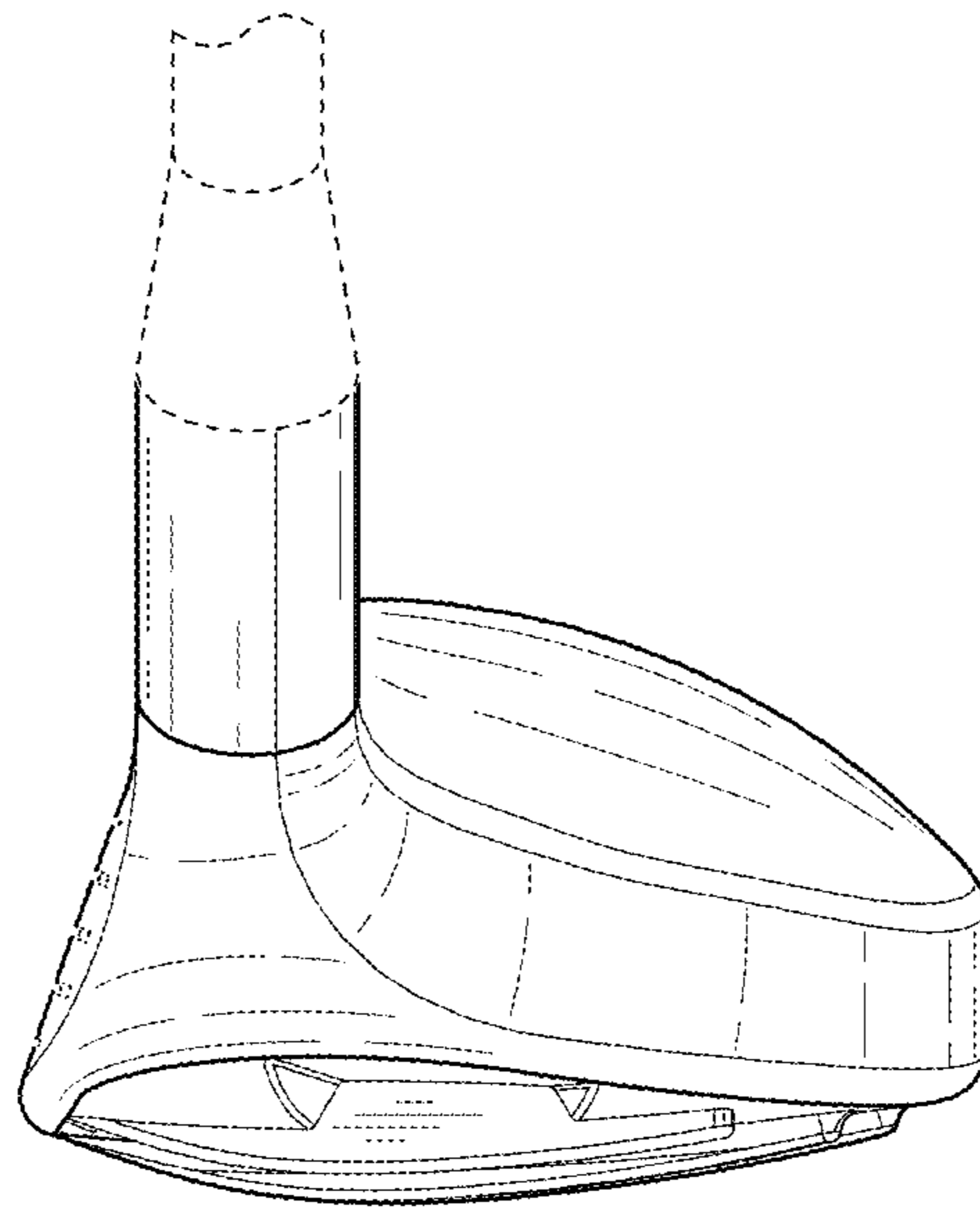


FIG. 21

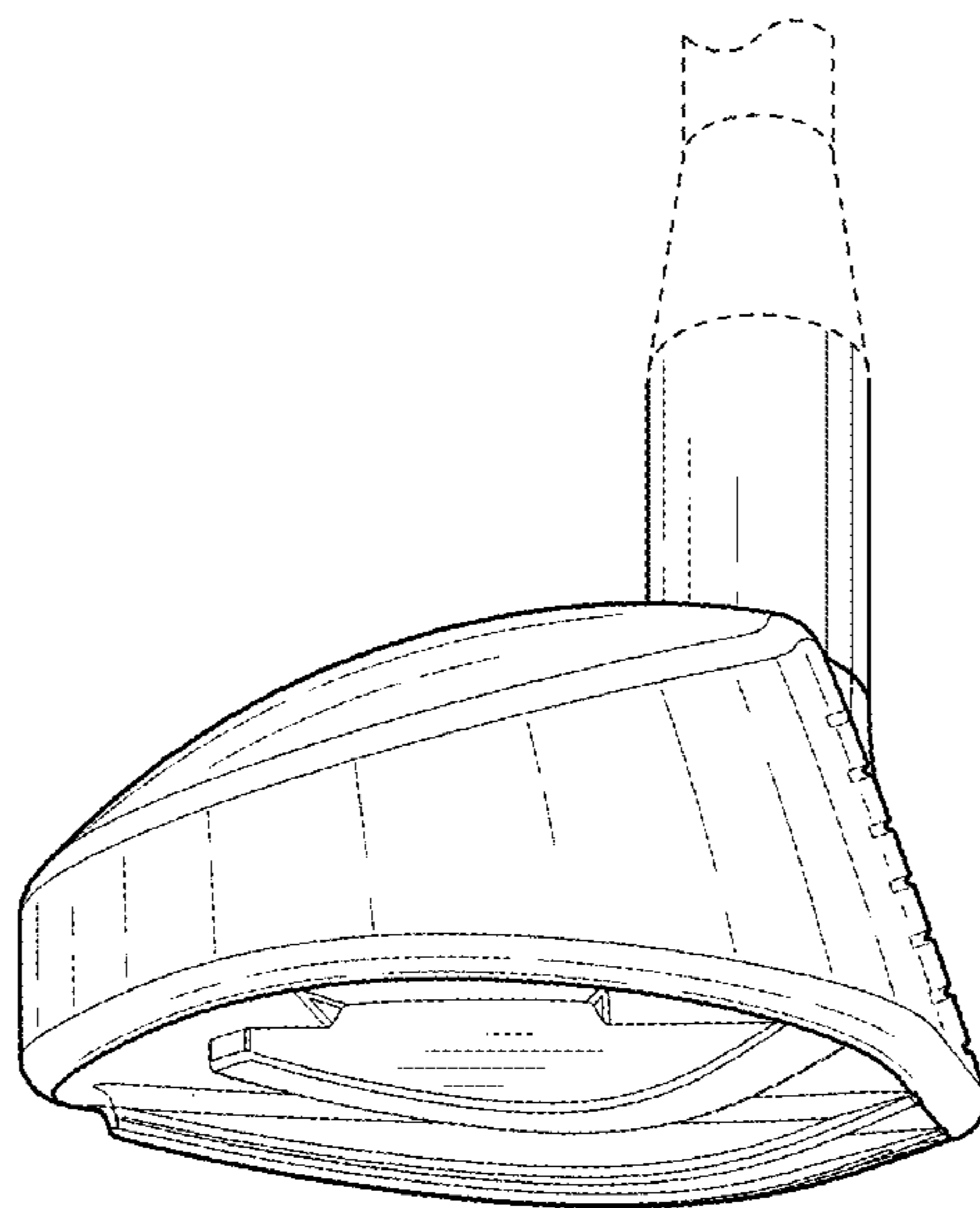


FIG. 22

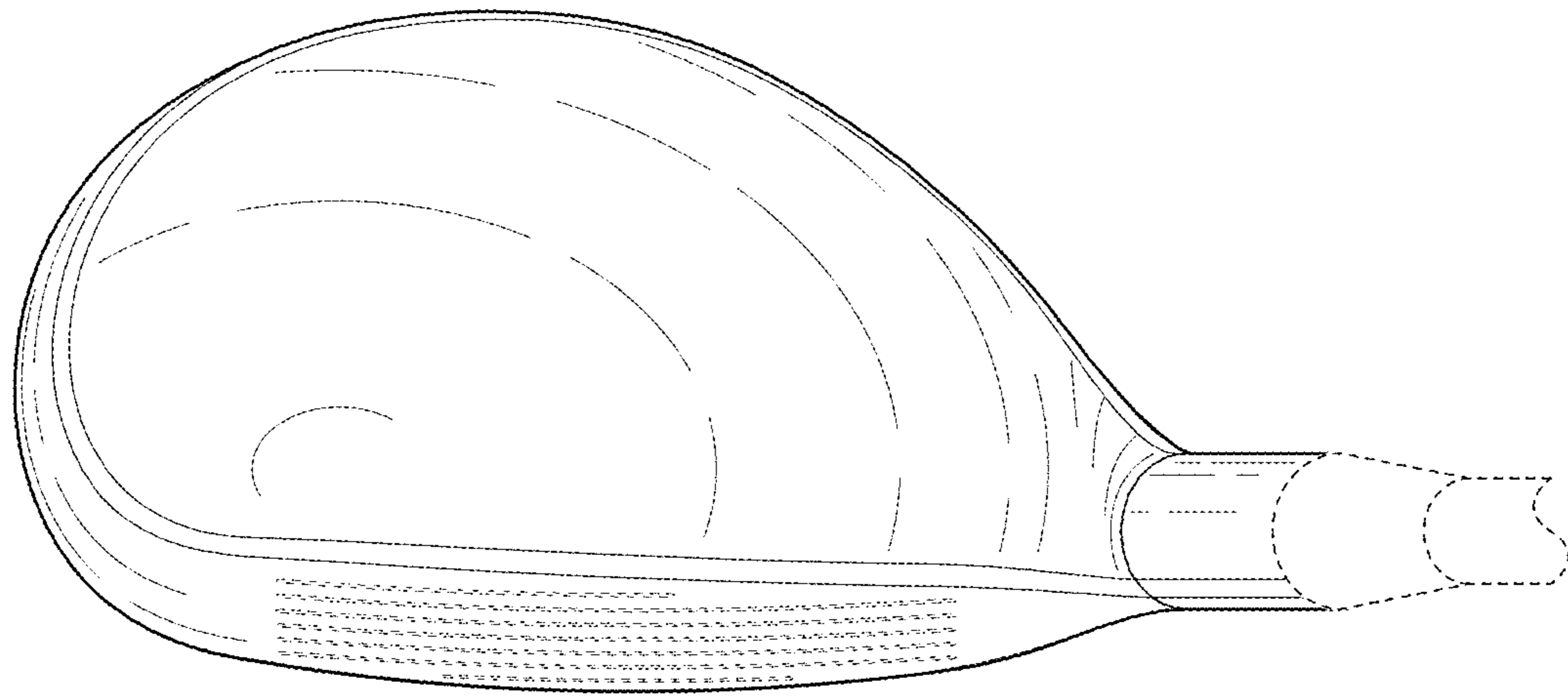


FIG. 23

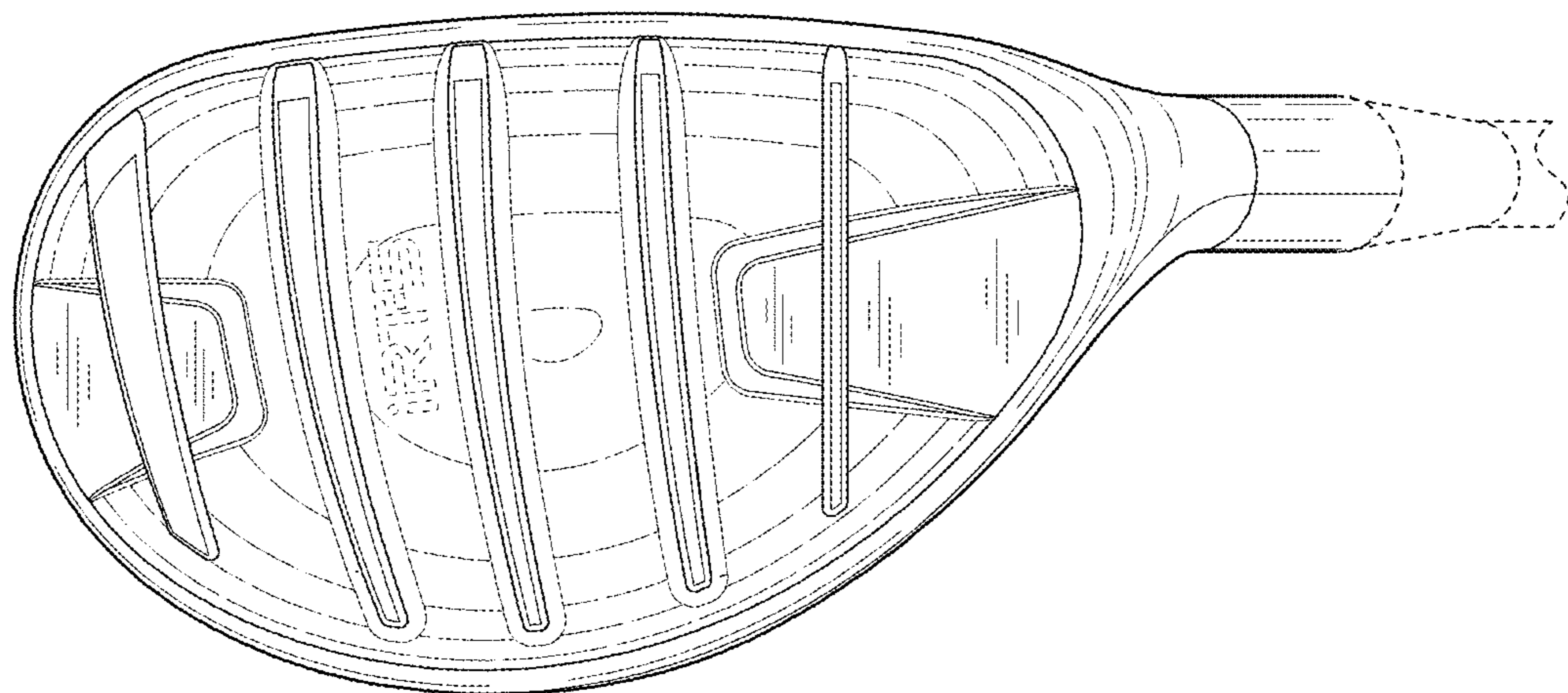


FIG. 24

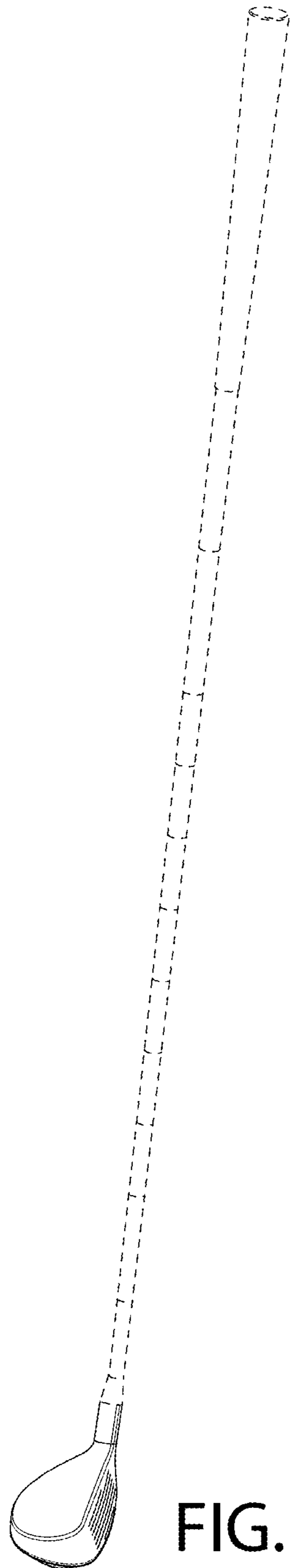


FIG. 25

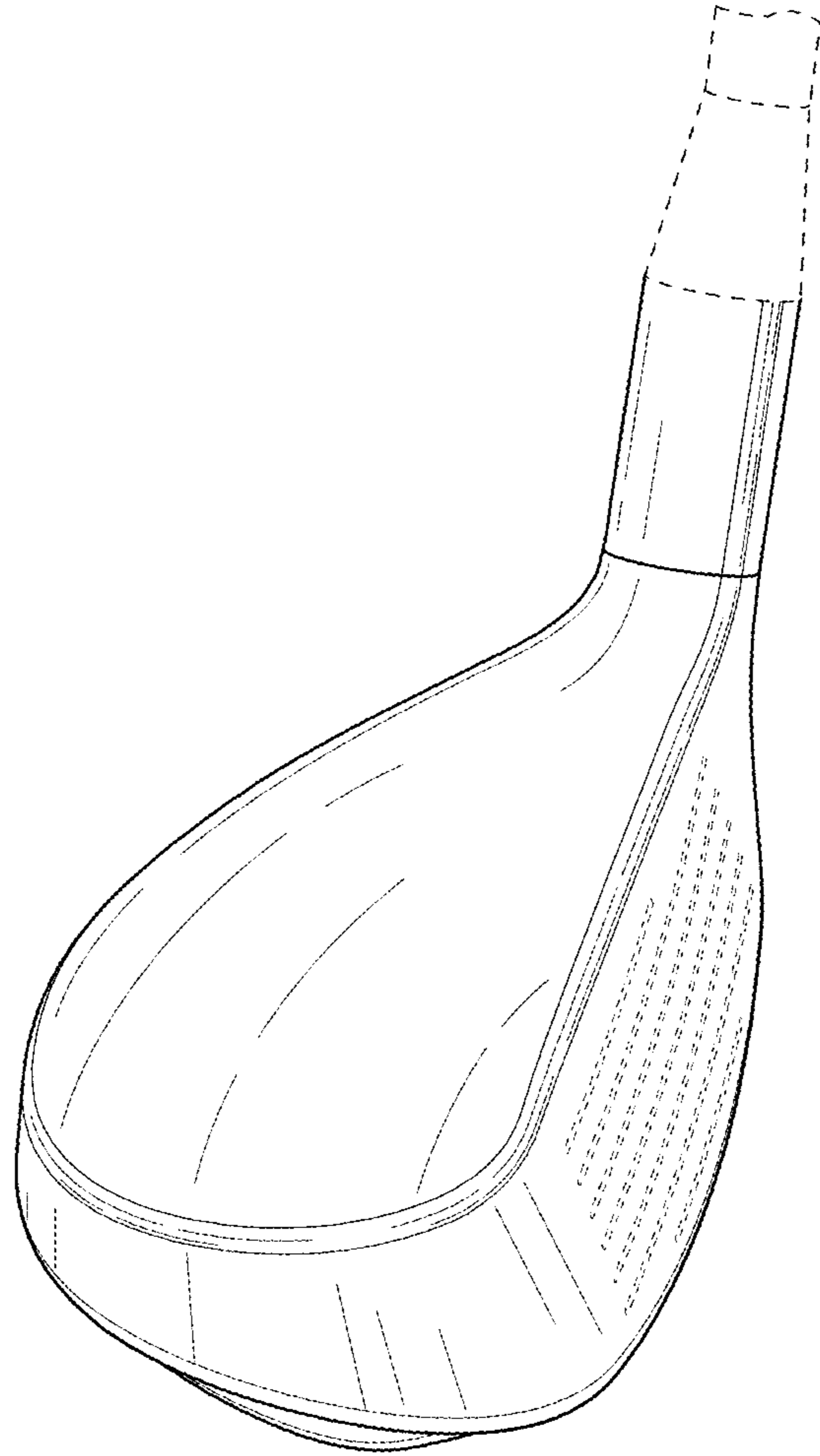


FIG. 26

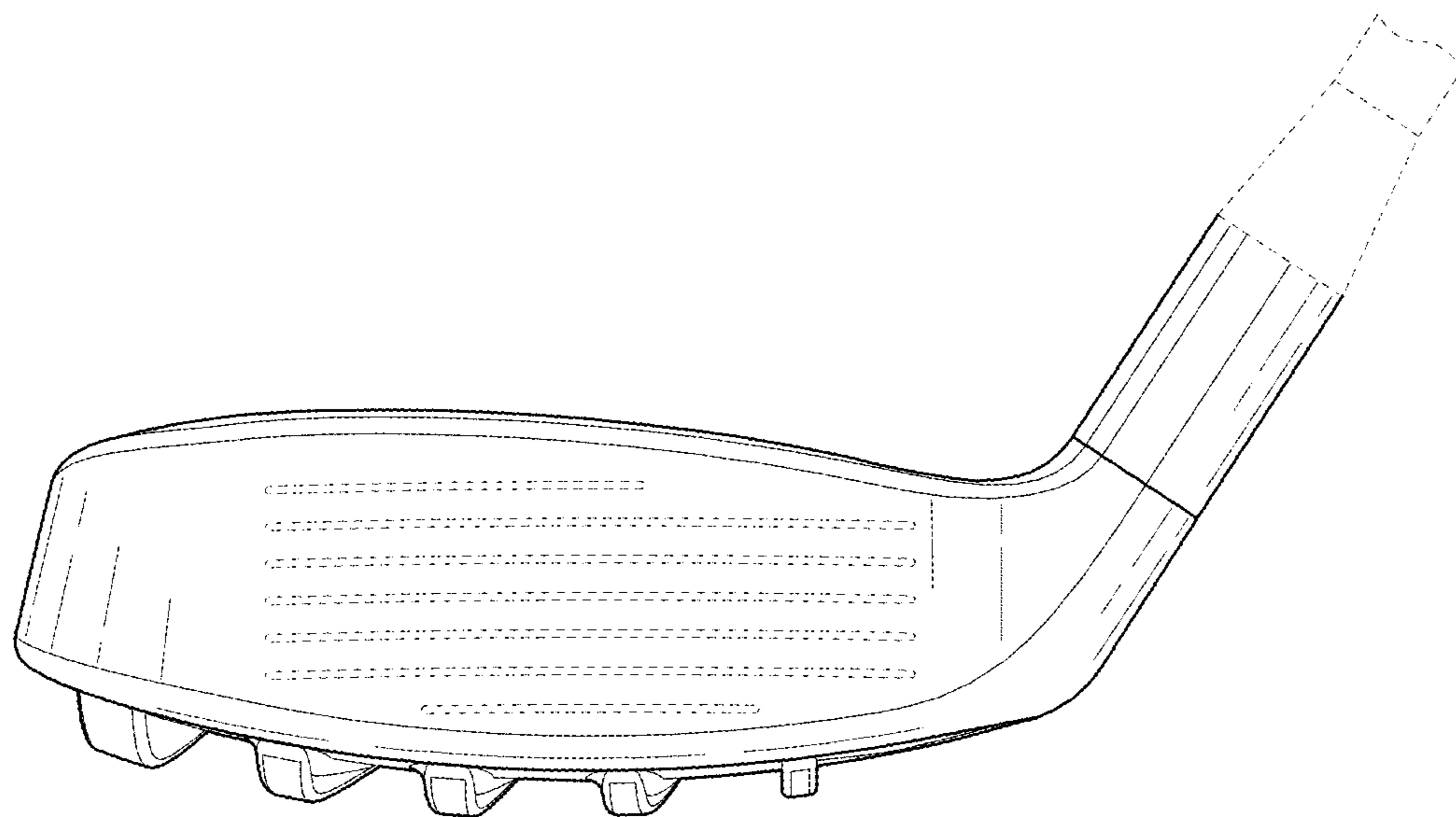


FIG. 27

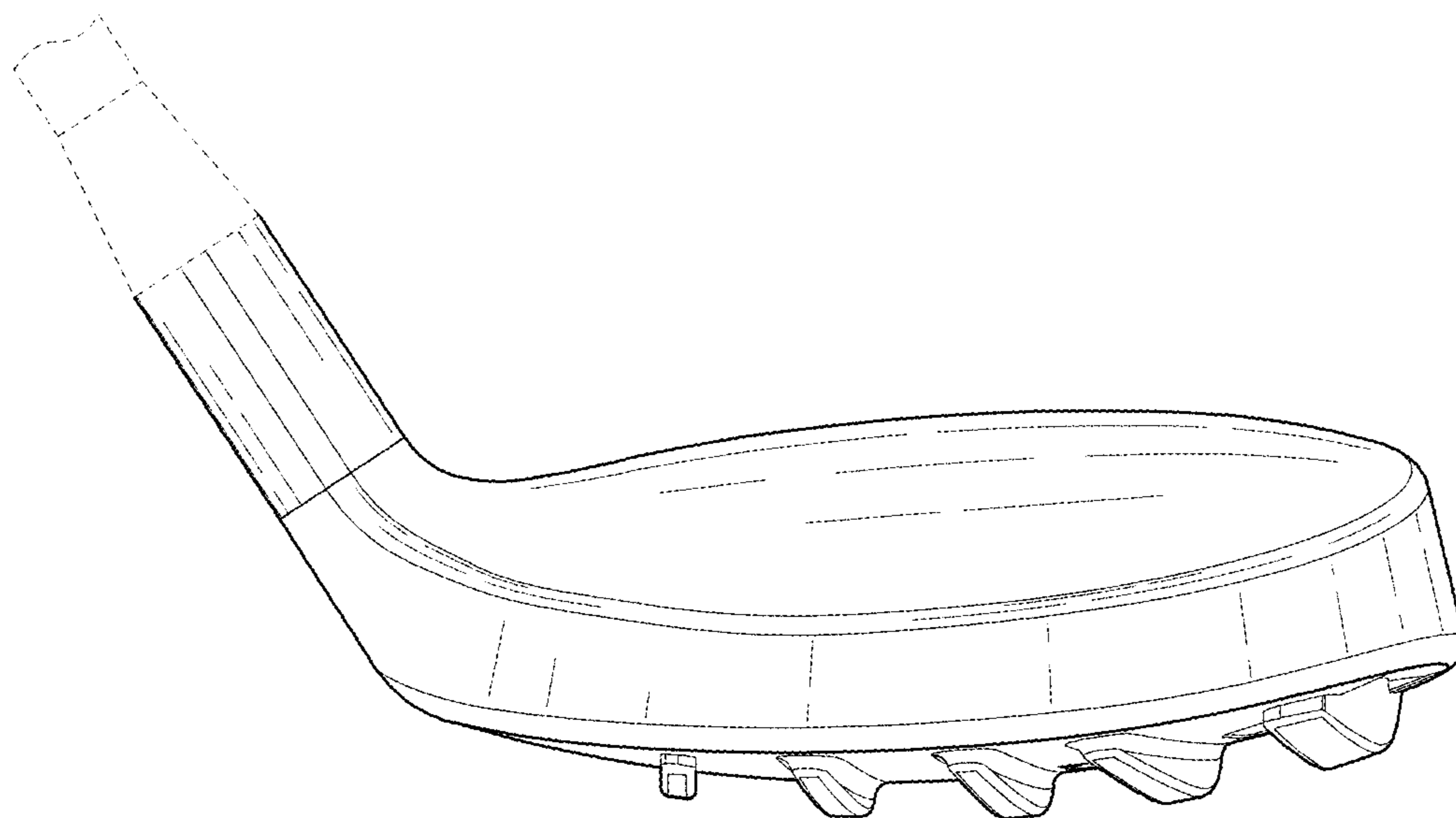


FIG. 28

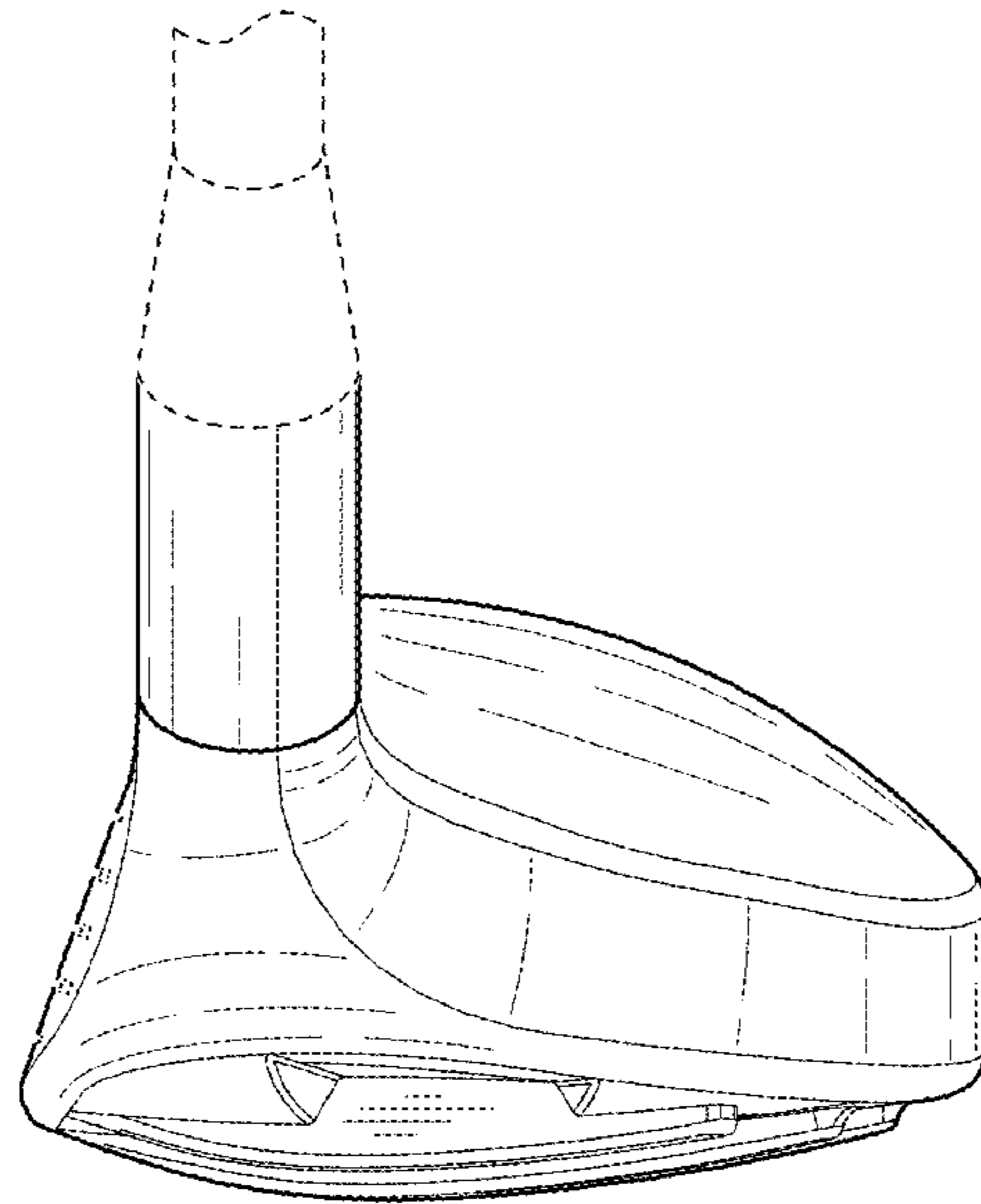


FIG. 29

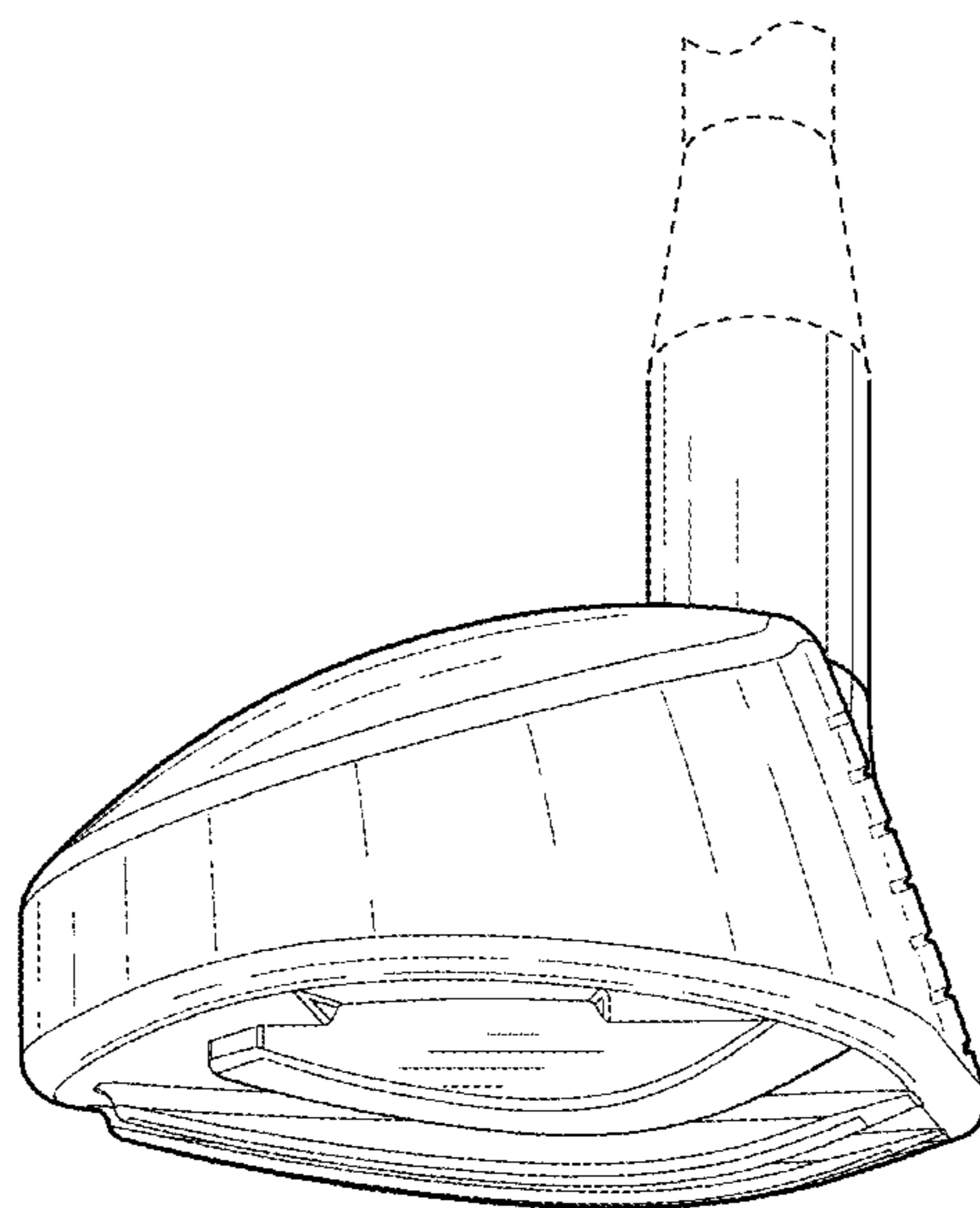


FIG. 30

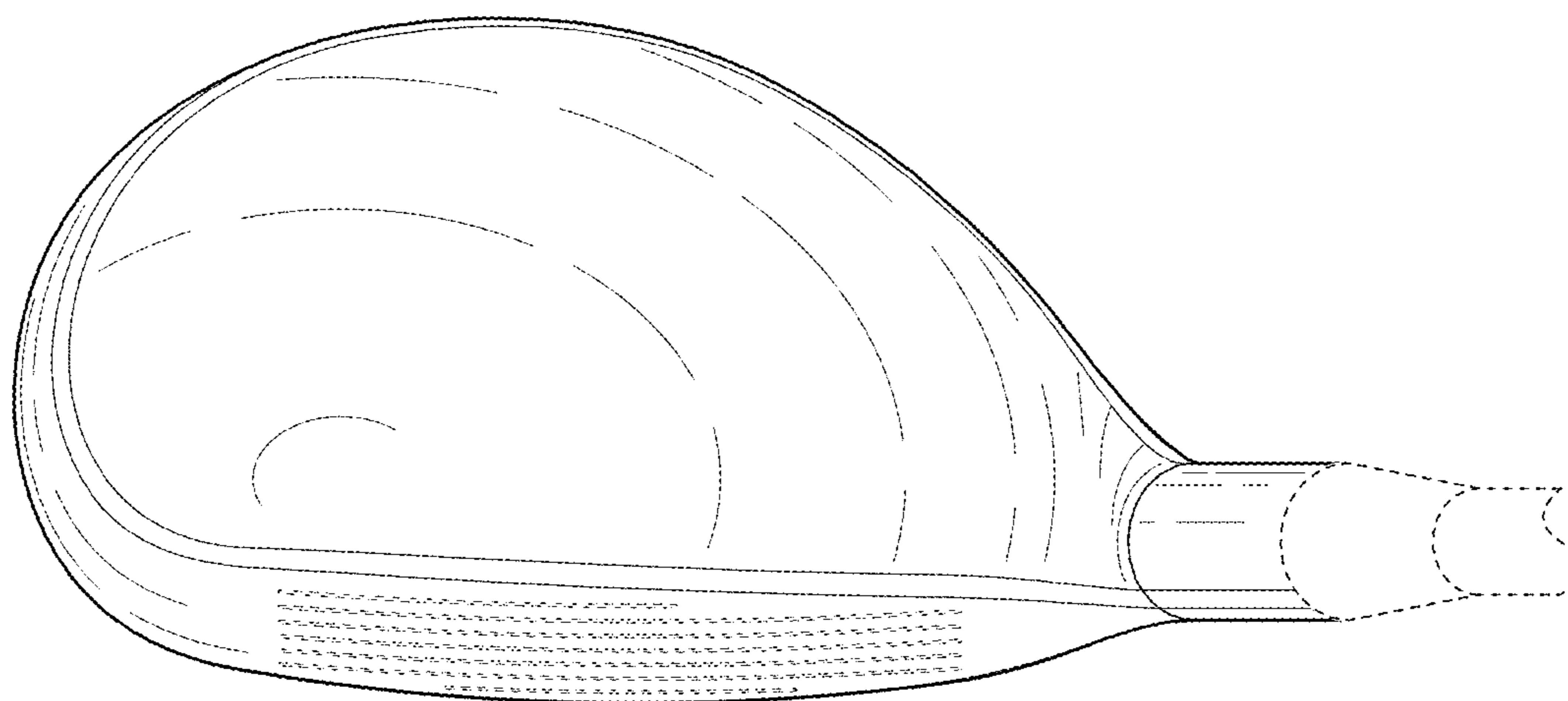


FIG. 31

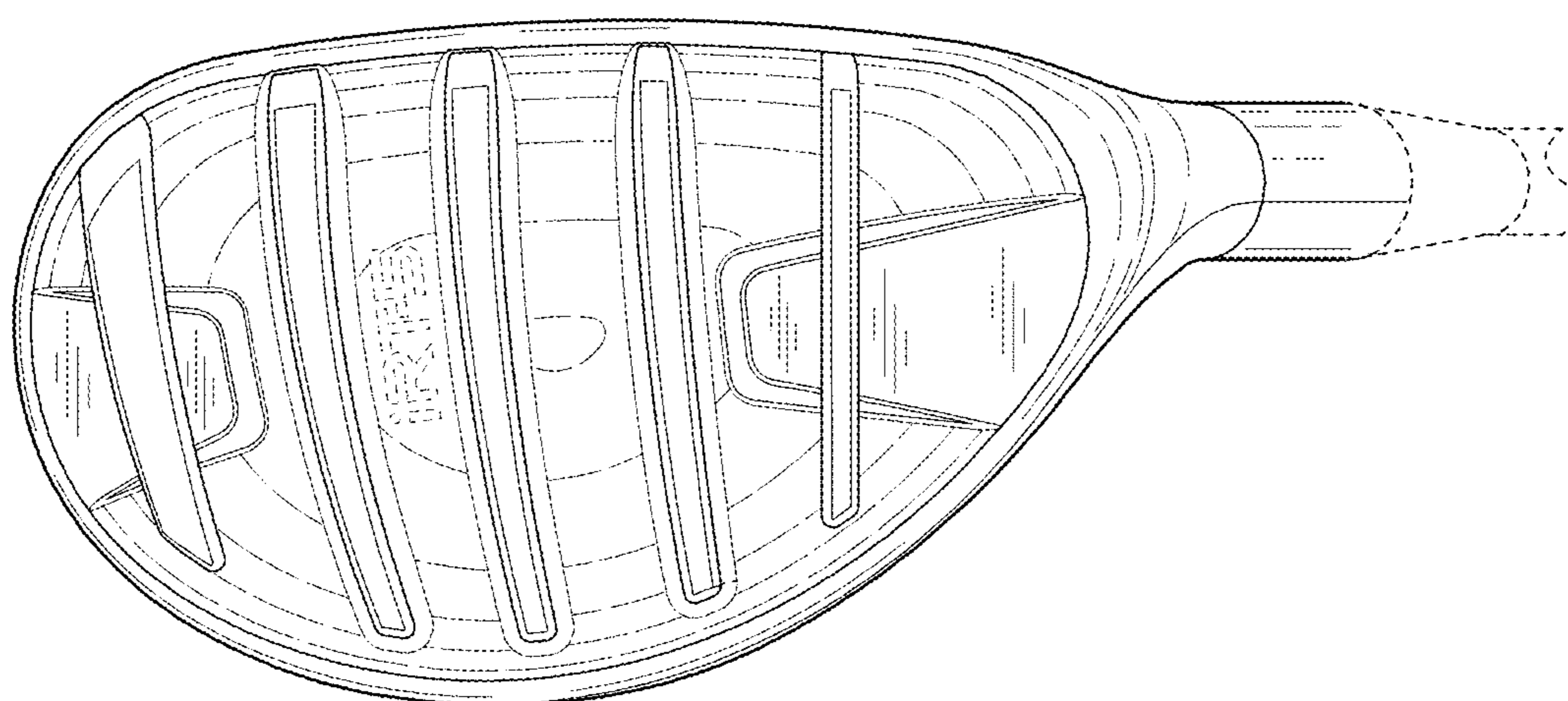


FIG. 32