



US00D791891S

(12) **United States Design Patent** (10) **Patent No.:** **US D791,891 S**
Davis (45) **Date of Patent:** **** Jul. 11, 2017**

(54) GOLF PUTTER HEAD	5,489,097 A * 2/1996 Simmons A63B 53/0487 473/326
(71) Applicant: Veritas Golf, LLC , Flagler Beach, FL (US)	D437,374 S * 2/2001 Cameron D21/759 D446,562 S * 8/2001 Forzano D21/736 D512,116 S * 11/2005 Mirafior D21/759 D599,867 S * 9/2009 Teramoto D21/736 D600,763 S * 9/2009 Cameron D21/759 D607,951 S * 1/2010 Teramoto D21/736 D633,964 S * 3/2011 Teramoto D21/743 D655,361 S * 3/2012 Ramsauer D21/743 D661,753 S * 6/2012 Cameron D21/759 D752,697 S * 3/2016 Claveran D21/736
(72) Inventor: Steven R. Davis , Flagler Beach, FL (US)	
(73) Assignee: VERITAS GOLF LLC , Flagler Beach, FL (US)	

(**) Term: **15 Years**

* cited by examiner

(21) Appl. No.: **29/563,488**

Primary Examiner — Mitchell Siegel

(22) Filed: **May 5, 2016**

(51) **LOC (10) Cl.** **21-02**

(52) **U.S. Cl.**
USPC **D21/736**

(58) **Field of Classification Search**
USPC D21/736-746
CPC ... A63B 53/065; A63B 53/0487; A63B 53/00;
A63B 53/007; A63B 53/04
See application file for complete search history.

(56) **References Cited**

U.S. PATENT DOCUMENTS

D248,783 S *	8/1978	Long	473/345
D313,451 S *	1/1991	Shearer	D21/743
5,390,919 A *	2/1995	Stubbs	A63B 53/065 473/246

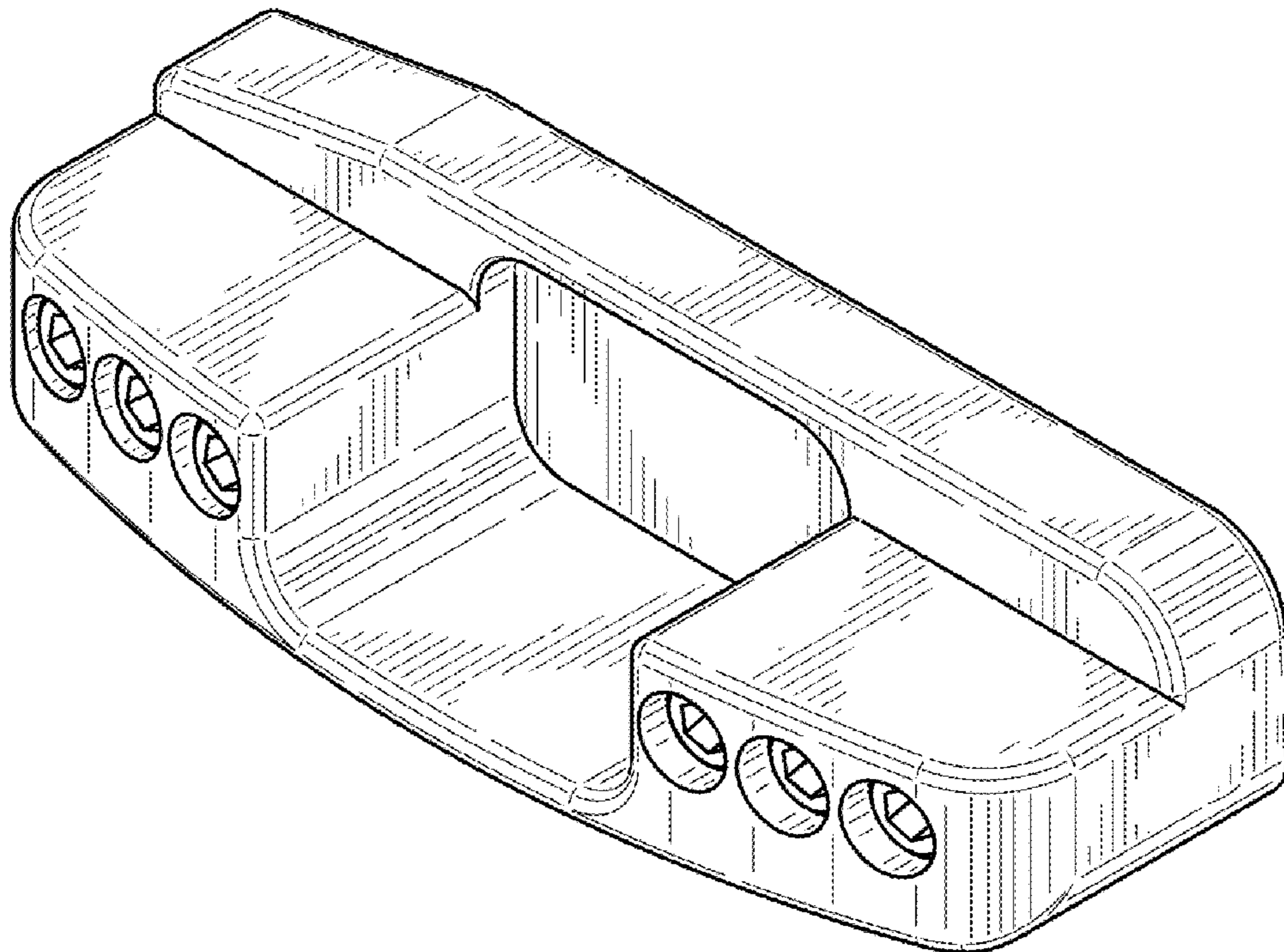
(57) **CLAIM**

The ornamental design for a golf putter head, as shown and described.

DESCRIPTION

FIG. 1 is a perspective view of a golf putter head illustrating the new design.
FIG. 2 is a front elevation view thereof.
FIG. 3 is a back elevation view thereof.
FIG. 4 is a right side elevation view thereof.
FIG. 5 is a left side elevation view thereof.
FIG. 6 is a top plan view thereof; and,
FIG. 7 is bottom plan view thereof.

1 Claim, 2 Drawing Sheets



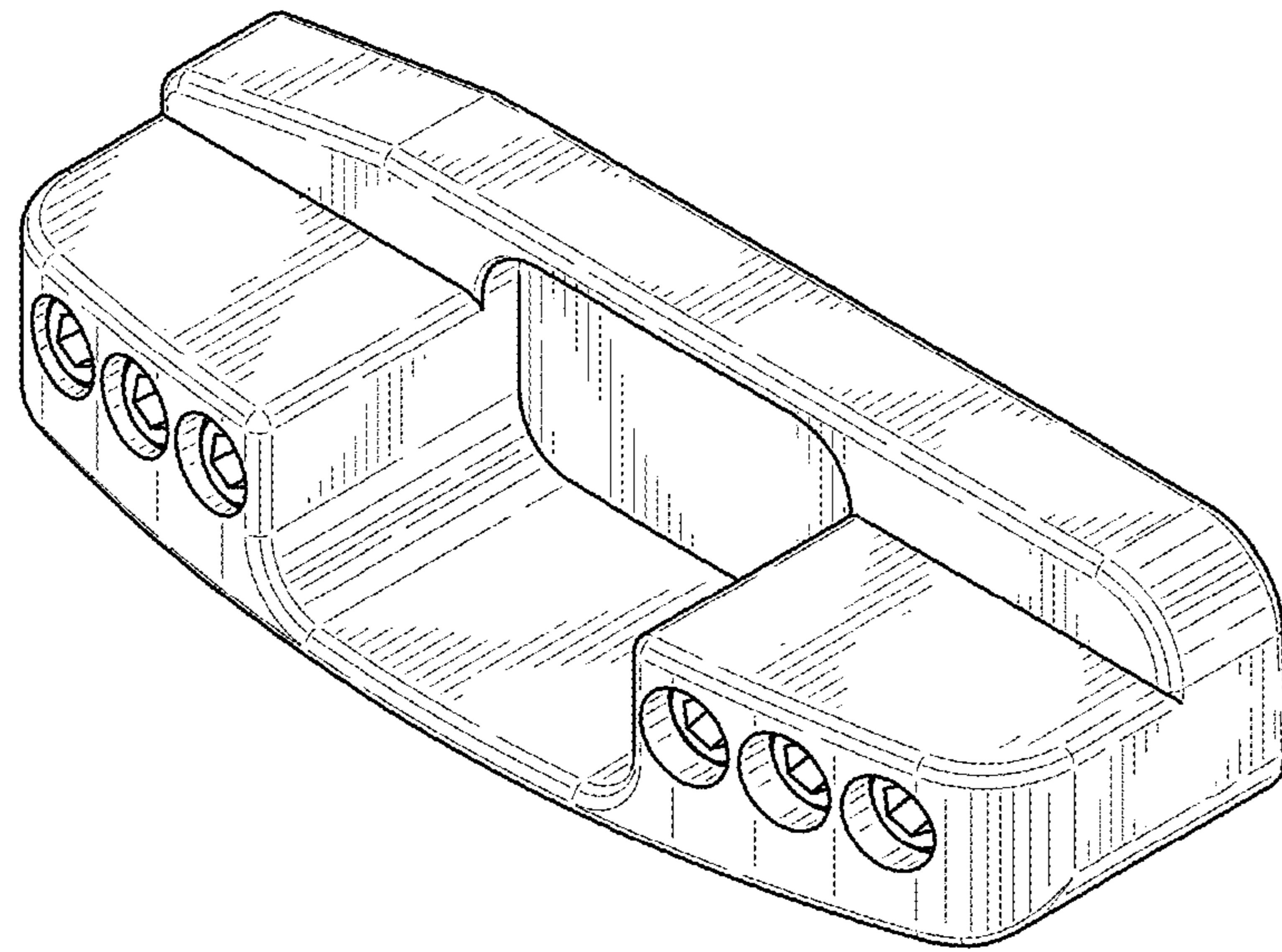


FIG. 1

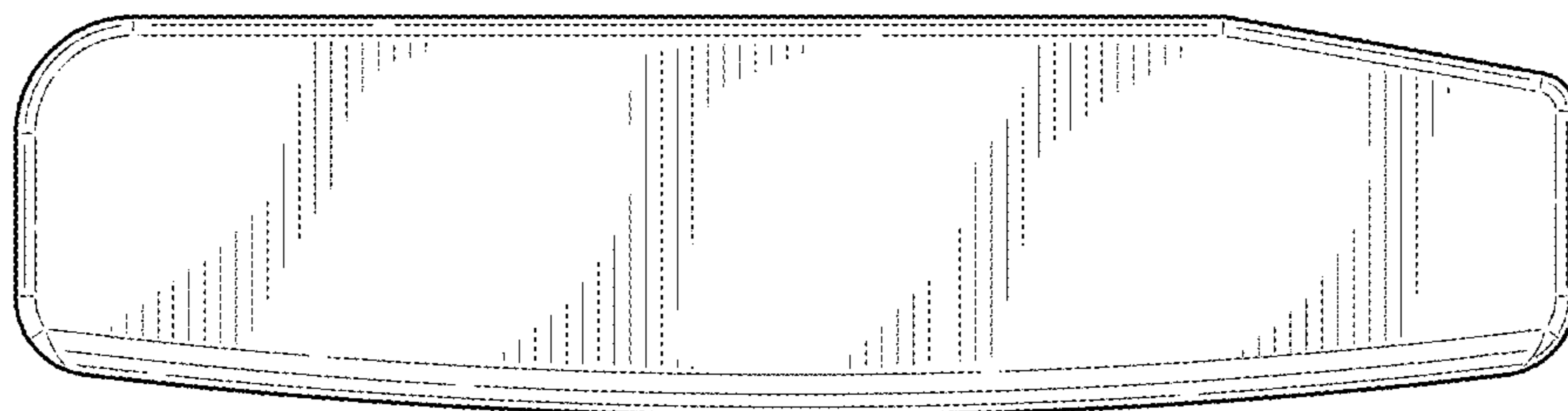


FIG. 2

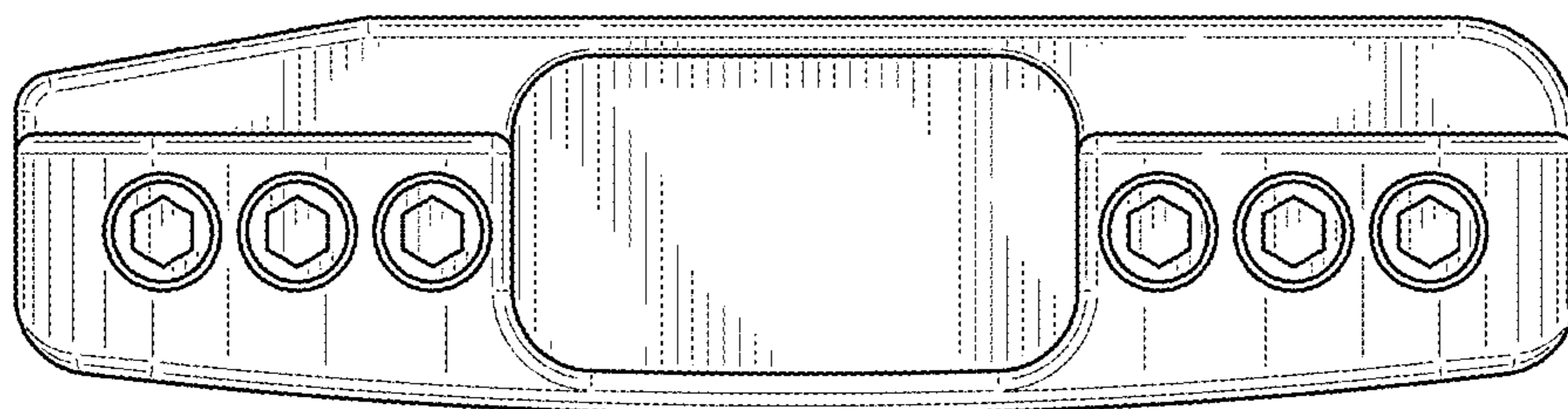


FIG. 3

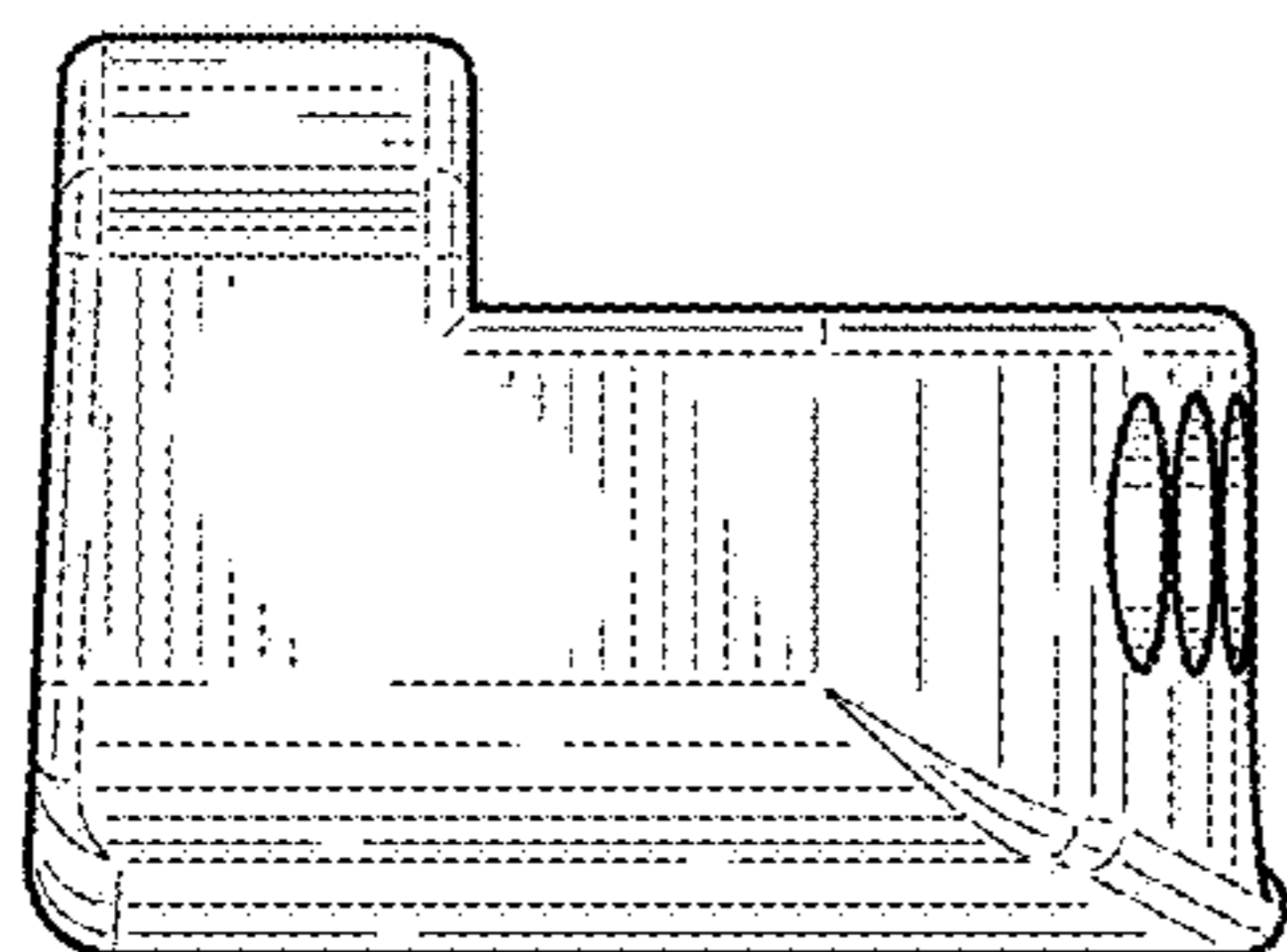


FIG. 4

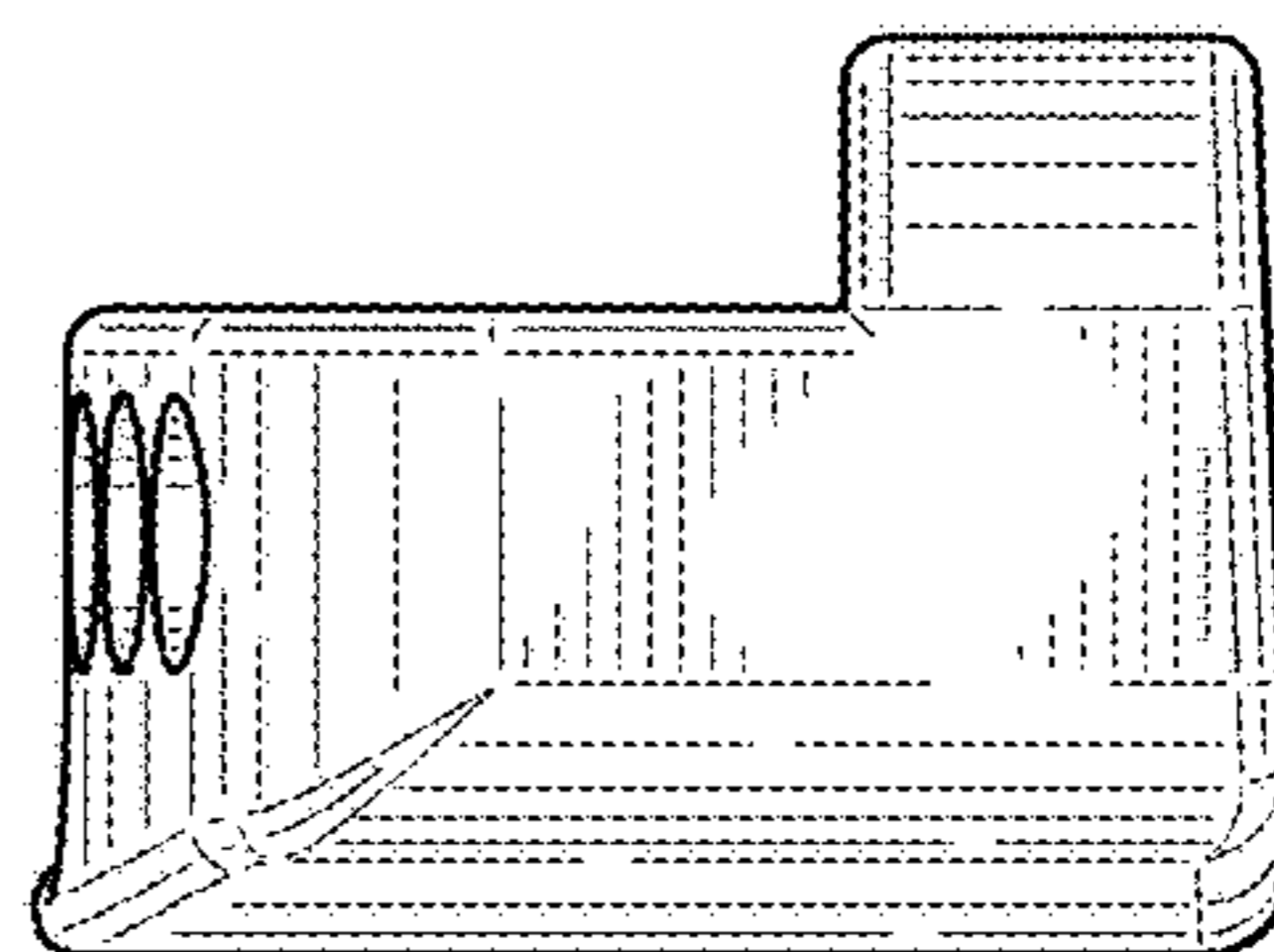


FIG. 5

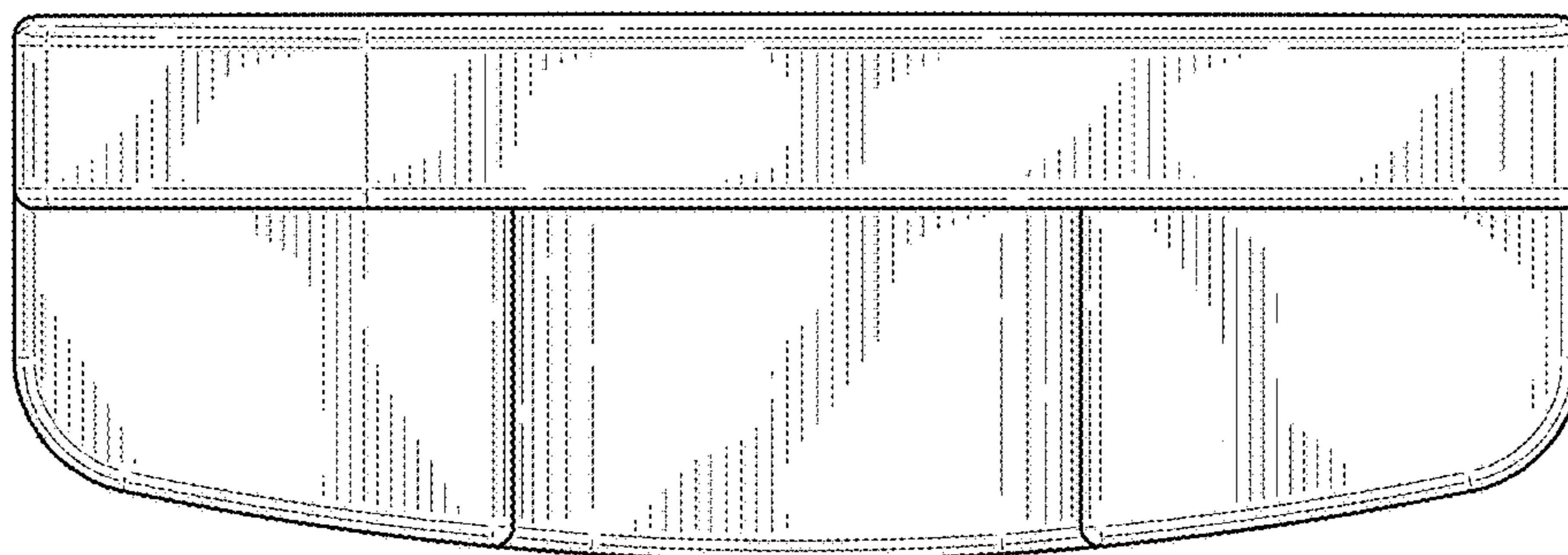


FIG. 6

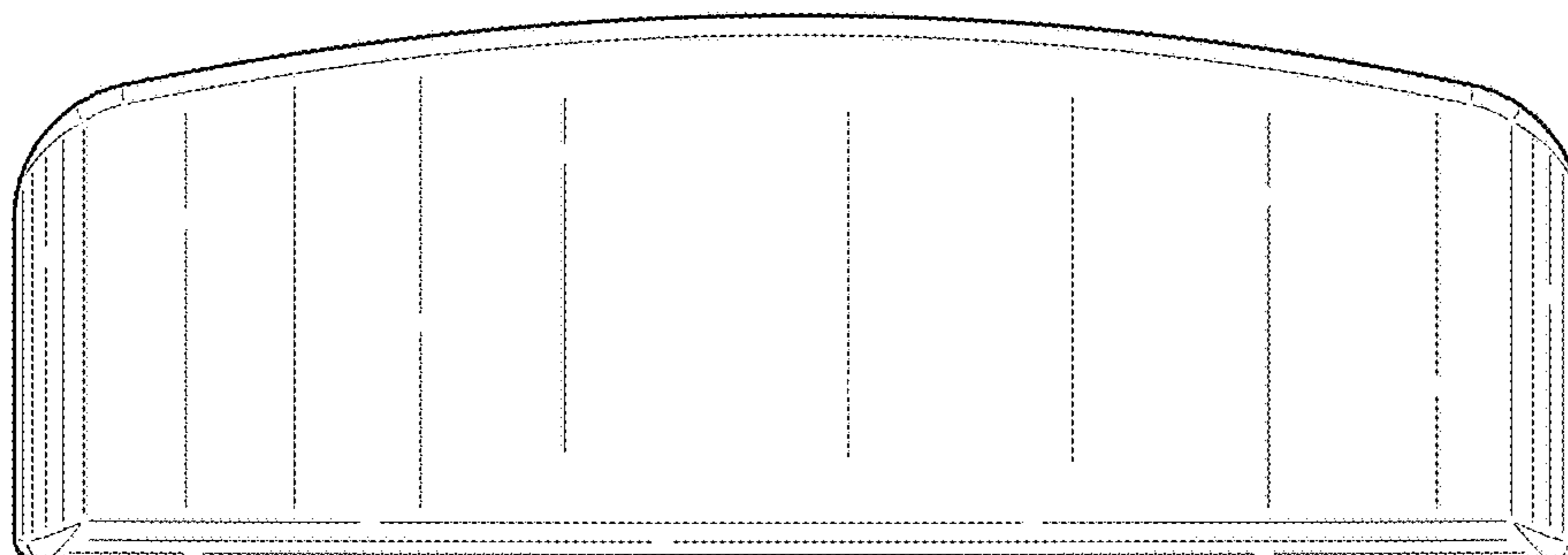


FIG. 7