



US00D791888S

(12) **United States Design Patent**
Huang

(10) **Patent No.:** **US D791,888 S**

(45) **Date of Patent:** **** Jul. 11, 2017**

- (54) **EXERCISE PLATFORM WITH TWO ARMS**
- (71) Applicant: **Chi-Wei Huang**, Taipei (TW)
- (72) Inventor: **Chi-Wei Huang**, Taipei (TW)
- (**) Term: **15 Years**
- (21) Appl. No.: **29/555,369**
- (22) Filed: **Feb. 21, 2016**
- (51) **LOC (10) Cl.** **21-02**
- (52) **U.S. Cl.**
USPC **D21/687**
- (58) **Field of Classification Search**
USPC 482/142, 122, 115, 108, 145, 140, 105,
482/111, 123, 121, 126, 144, 143, 148,
482/106, 130, 129, 132, 96, 131, 133,
482/124, 110, 127, 72, 147, 51, 71, 139,
482/97, 92, 137, 98, 1, 907, 95, 112;
206/315.1, 45.2; D21/687, 662, 690, 676,
D21/423, 691, 686; 273/449; 472/103;
297/259.1, 16.1, 175, 445.1, 353;
446/482; 607/48, 149, 77, 148; 140/121,
140/122, 123, 124, 90; 601/24;
D24/190; D6/601
CPC A63B 23/0211; A63B 21/0552; A63B
2208/0233; A63B 21/1492; A63B
2208/0204
See application file for complete search history.

- 5,728,035 A * 3/1998 Sands A63B 21/4047
482/132
- D395,684 S * 6/1998 Olschansky D21/662
- 5,772,563 A * 6/1998 Lin A63B 23/0211
482/121
- 5,779,607 A * 7/1998 Harris A63B 21/0004
482/131
- D400,953 S * 11/1998 Huang D21/687
- 5,853,357 A * 12/1998 Jones, Jr. A63B 23/0211
482/131
- D404,432 S * 1/1999 Sands D21/662
- 5,863,280 A * 1/1999 Wang A63B 21/154
482/140
- 5,882,284 A * 3/1999 Cayne A63B 23/0211
482/123
- 5,941,806 A * 8/1999 Olschansky A63B 23/0222
482/132
- D413,948 S * 9/1999 Dalebout D21/662

(Continued)

Primary Examiner — Robert M Spear
Assistant Examiner — Ryan Harvey
(74) *Attorney, Agent, or Firm* — Cheng-Ju Chiang

(57) **CLAIM**

The ornamental design of an exercise platform with two arms, as shown and described.

DESCRIPTION

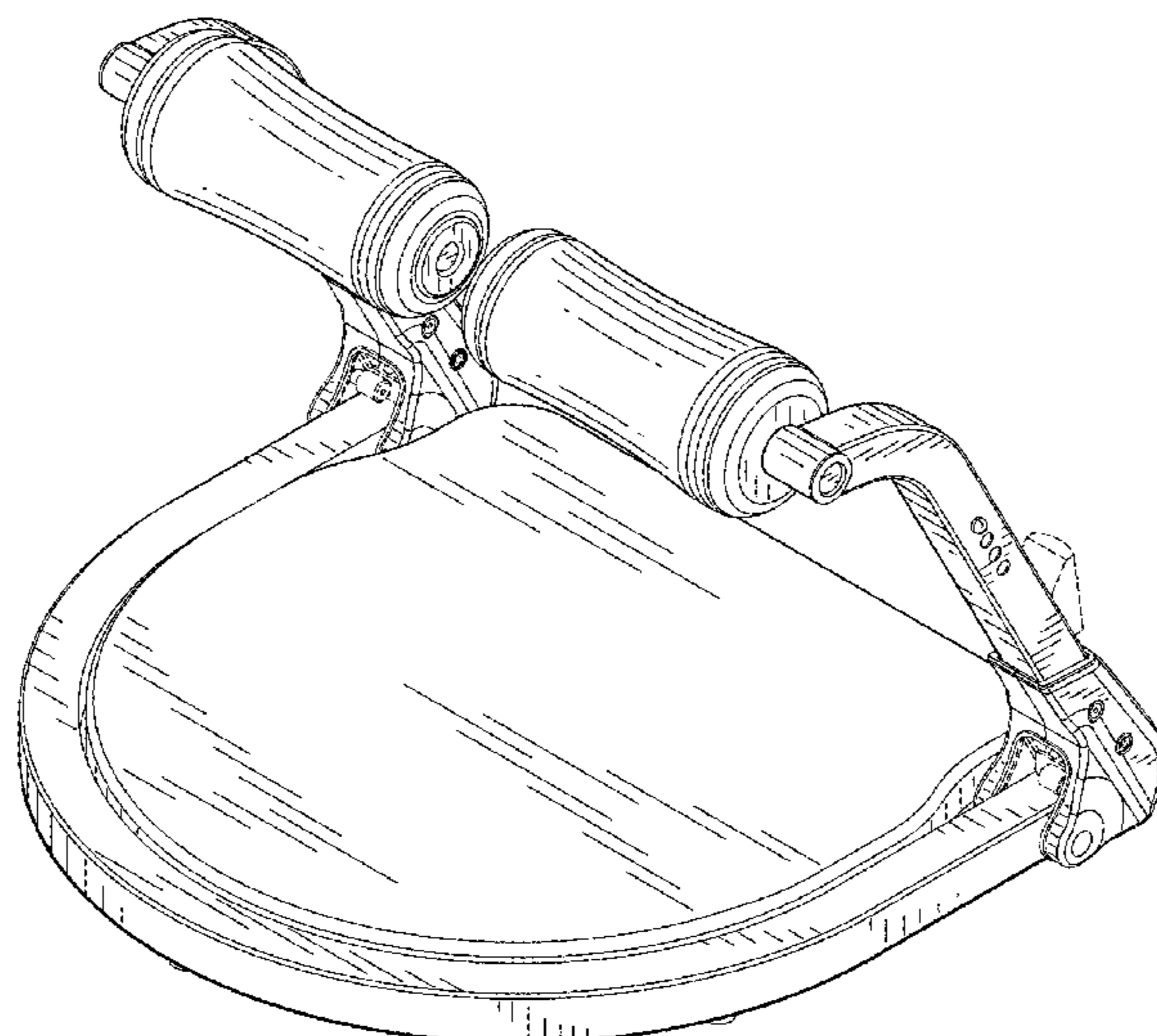
FIG. 1 is a perspective view showing my design;
FIG. 2 is a front view thereof;
FIG. 3 is a back view thereof;
FIG. 4 is a left side view thereof;
FIG. 5 is a right side view thereof;
FIG. 6 is a top view thereof;
FIG. 7 is a bottom view thereof; and,
FIG. 8 is another perspective view thereof.
The broken lines depict environment and form no part of the claim. The broken lines immediately adjacent to the shaded surfaces define the bounds of the claimed design and form no part thereof.

1 Claim, 6 Drawing Sheets

(56) **References Cited**

U.S. PATENT DOCUMENTS

- D379,836 S * 6/1997 Chen D21/691
- D380,517 S * 7/1997 Ho D21/691
- D381,378 S * 7/1997 Colonello D21/687
- D384,379 S * 9/1997 Lin D21/687
- D385,929 S * 11/1997 Mishan D21/687
- D385,930 S * 11/1997 Chen D21/687
- 5,725,463 A * 3/1998 Colonello A63B 23/0211
482/131



(56)

References Cited

U.S. PATENT DOCUMENTS

6,117,057 A * 9/2000 Olschansky A63B 23/0222
482/140
D496,701 S * 9/2004 Chung D21/662
D613,804 S * 4/2010 Perez D21/691
7,794,378 B2 * 9/2010 Splane, Jr. A63B 21/02
482/142
D641,434 S * 7/2011 Khubani D21/676
D659,207 S * 5/2012 Brown D21/687
2012/0065038 A1 * 3/2012 Nayebdadash A63B 23/0227
482/140
2014/0364288 A1 * 12/2014 Chuang A63B 21/00069
482/122

* cited by examiner

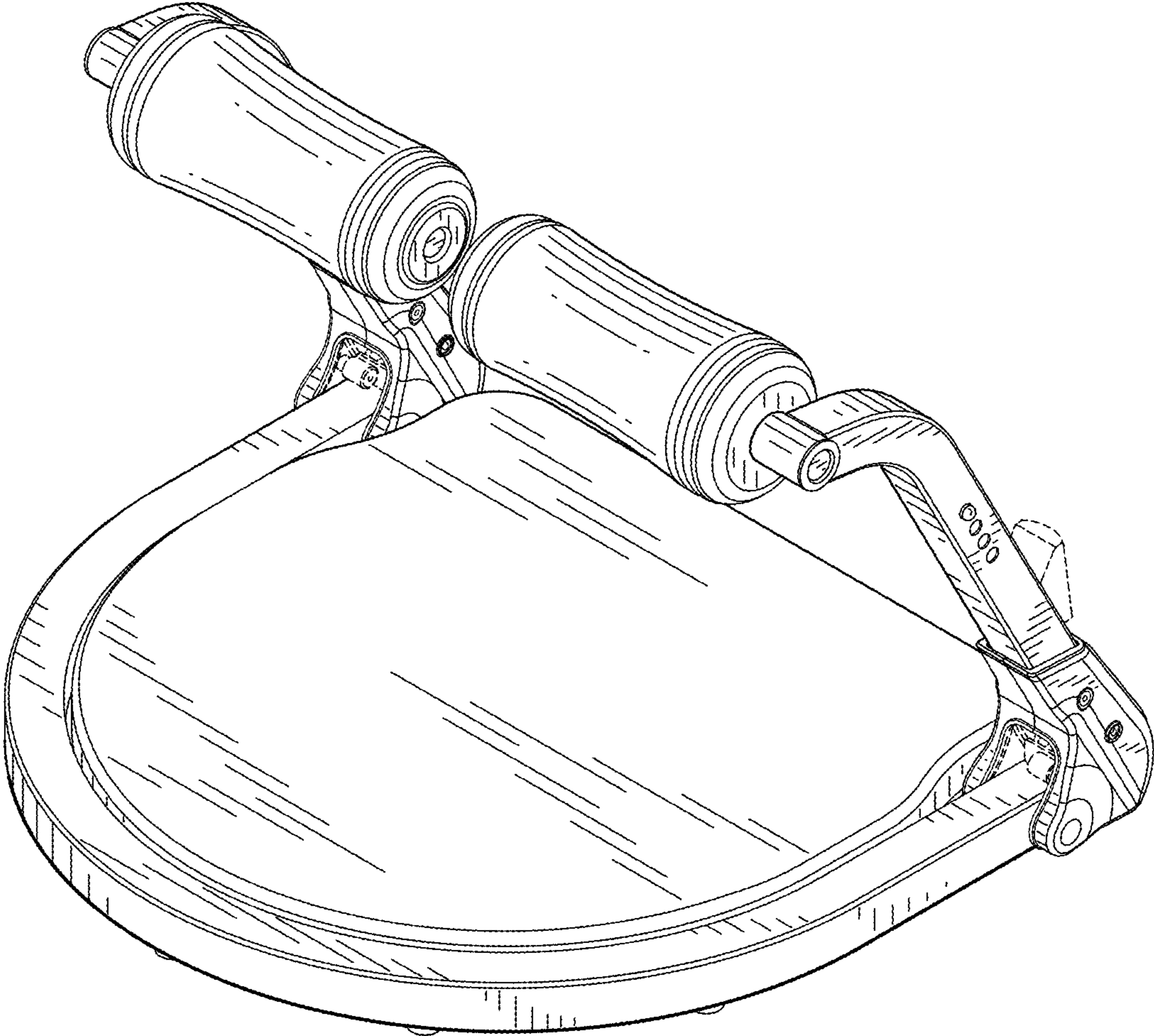


FIG. 1

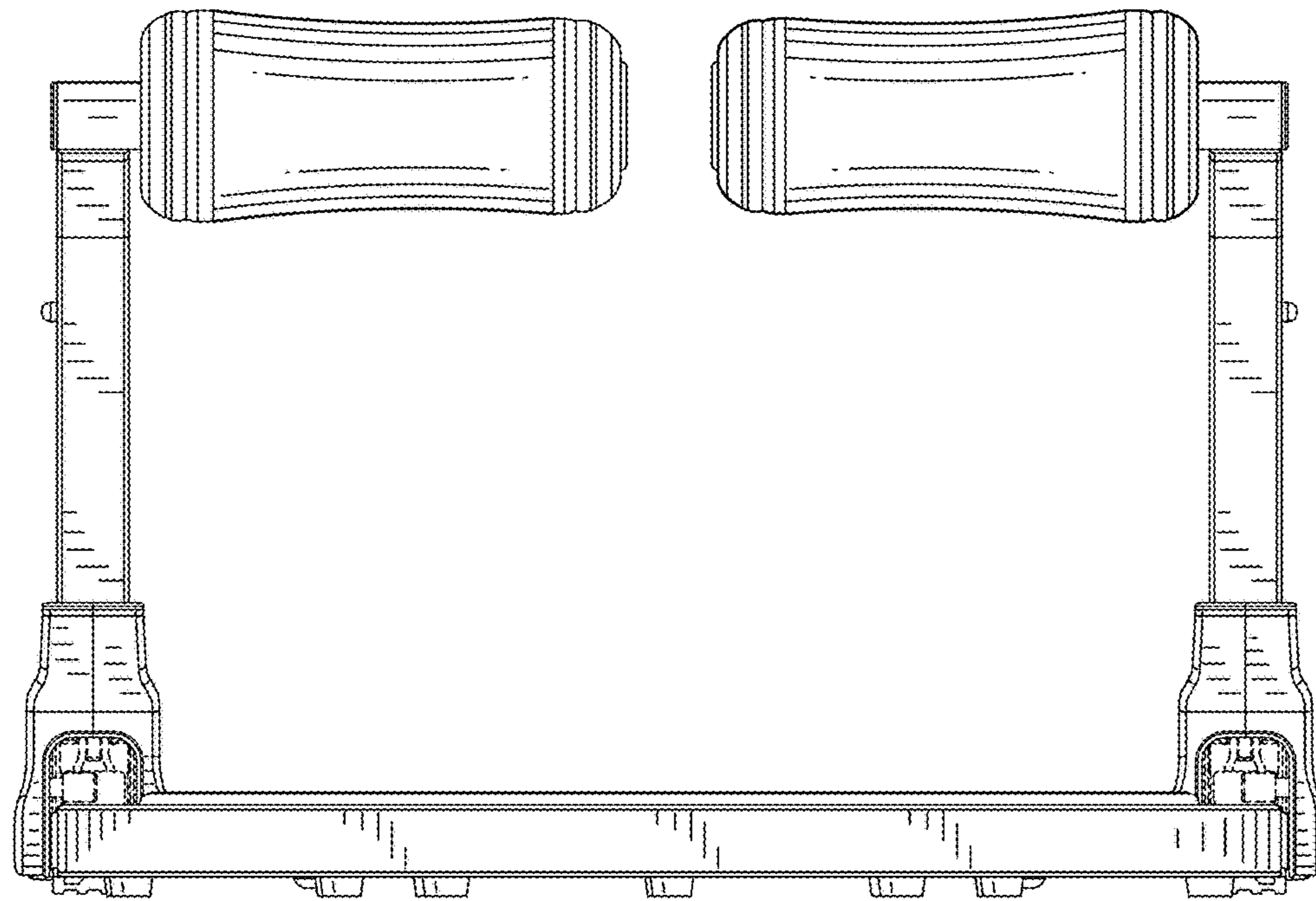


FIG. 2

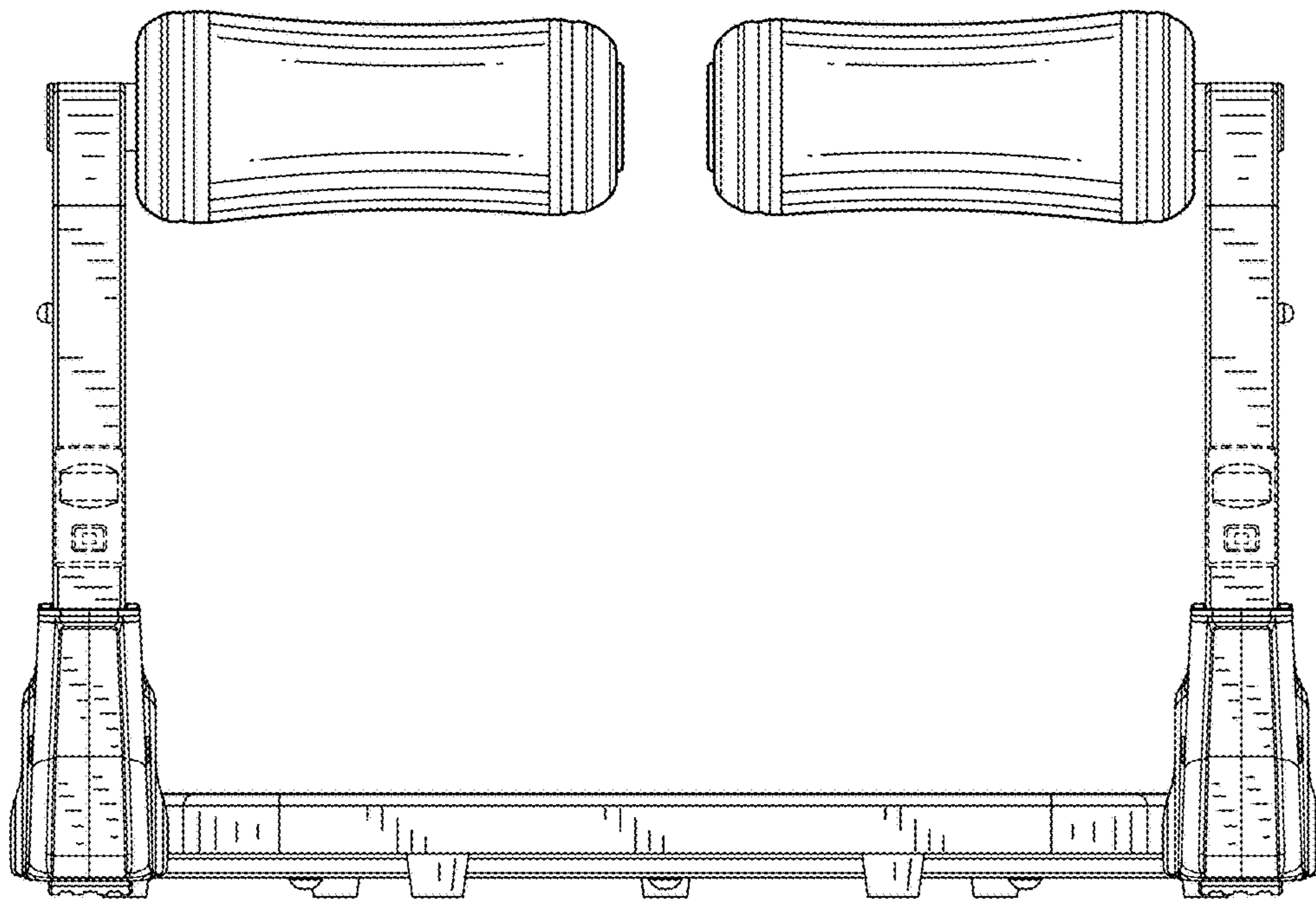


FIG. 3

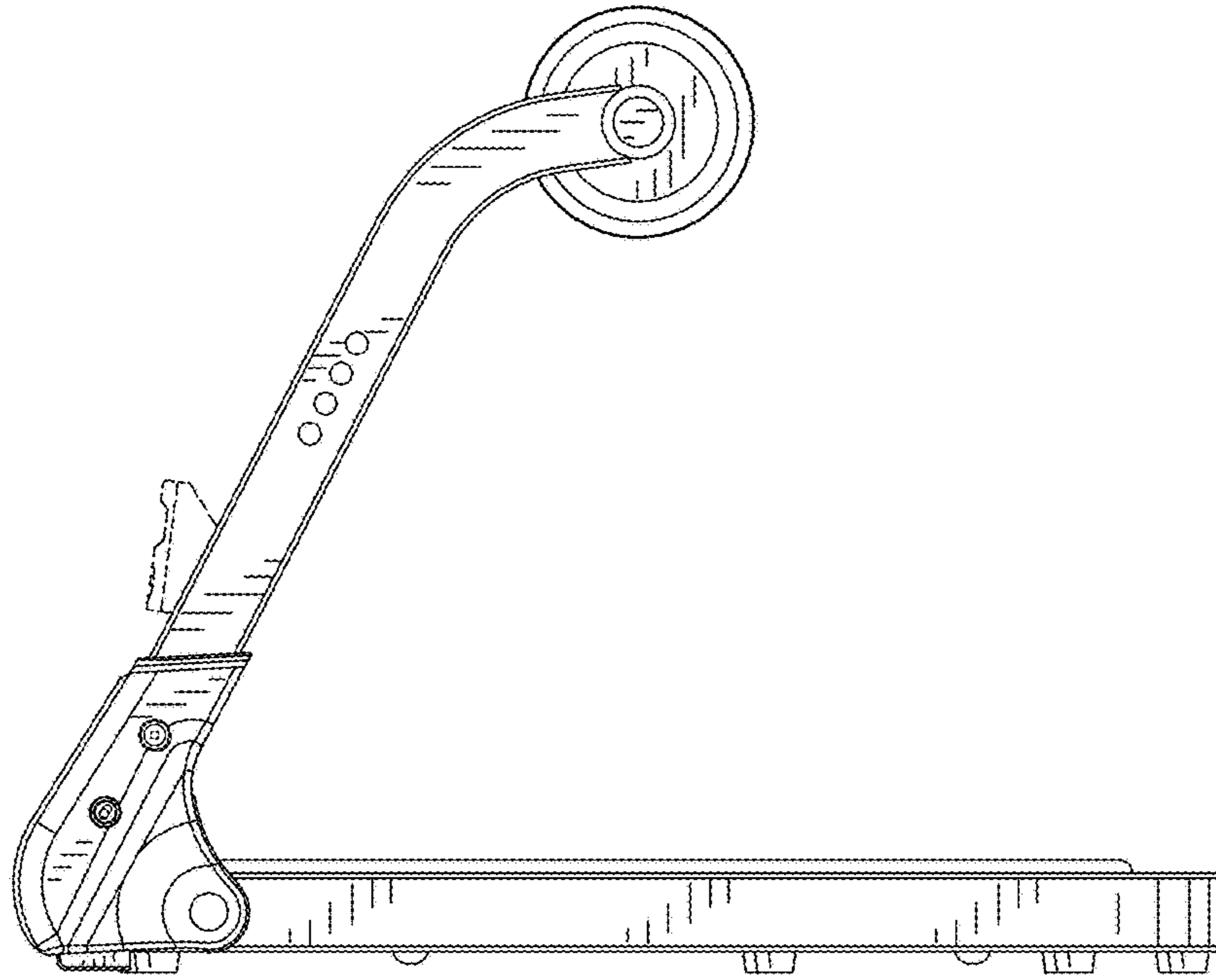


FIG. 4

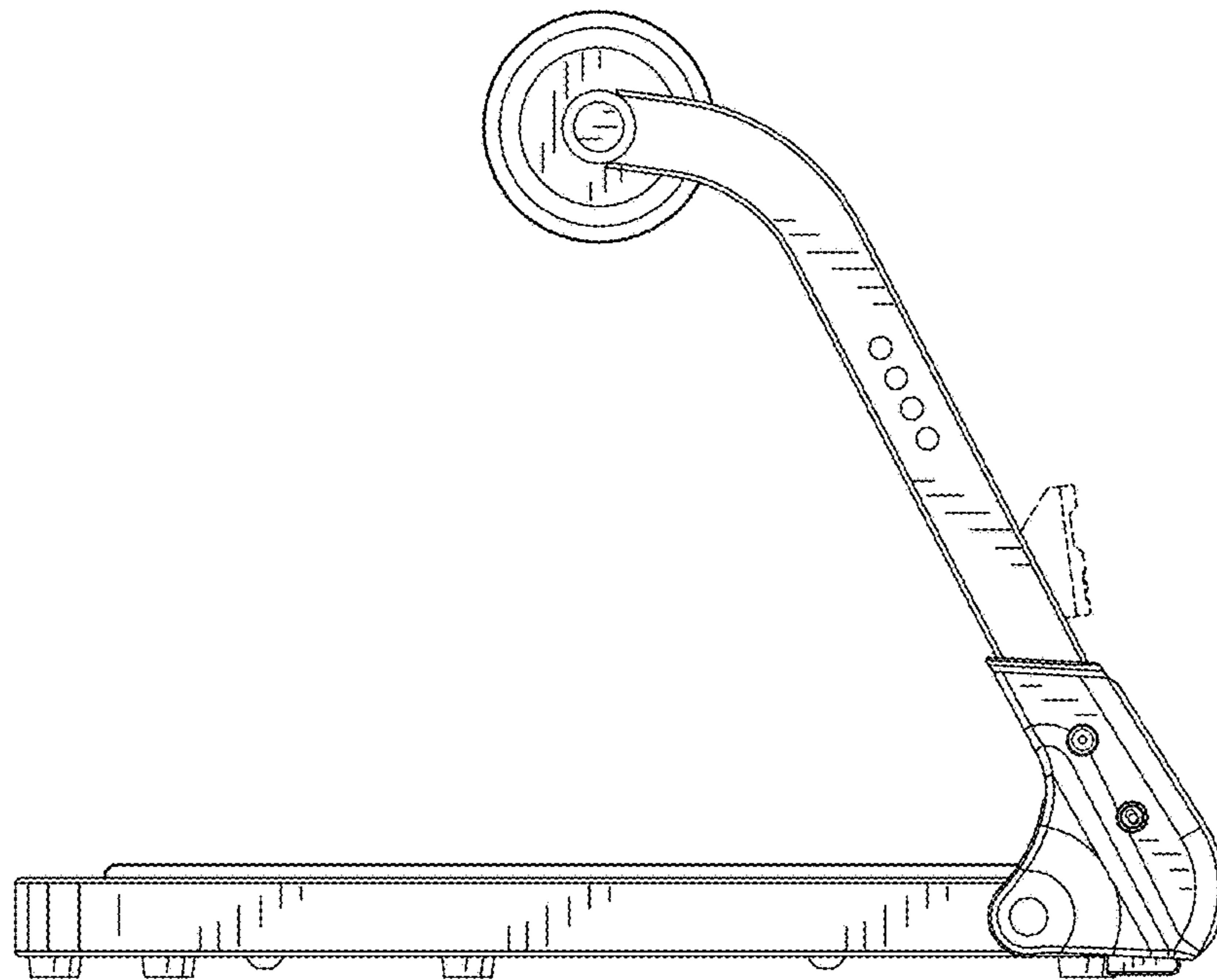


FIG. 5

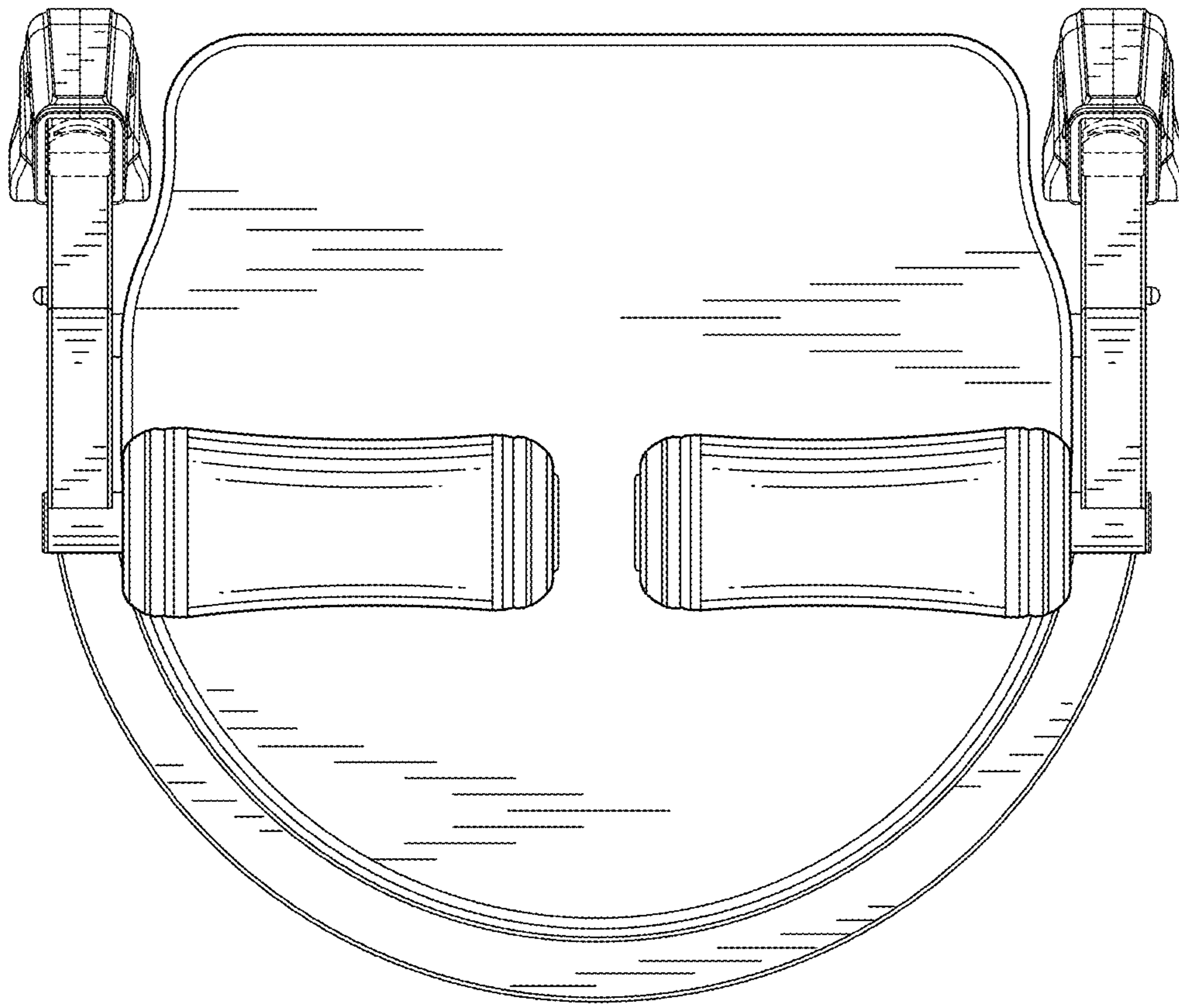


FIG. 6

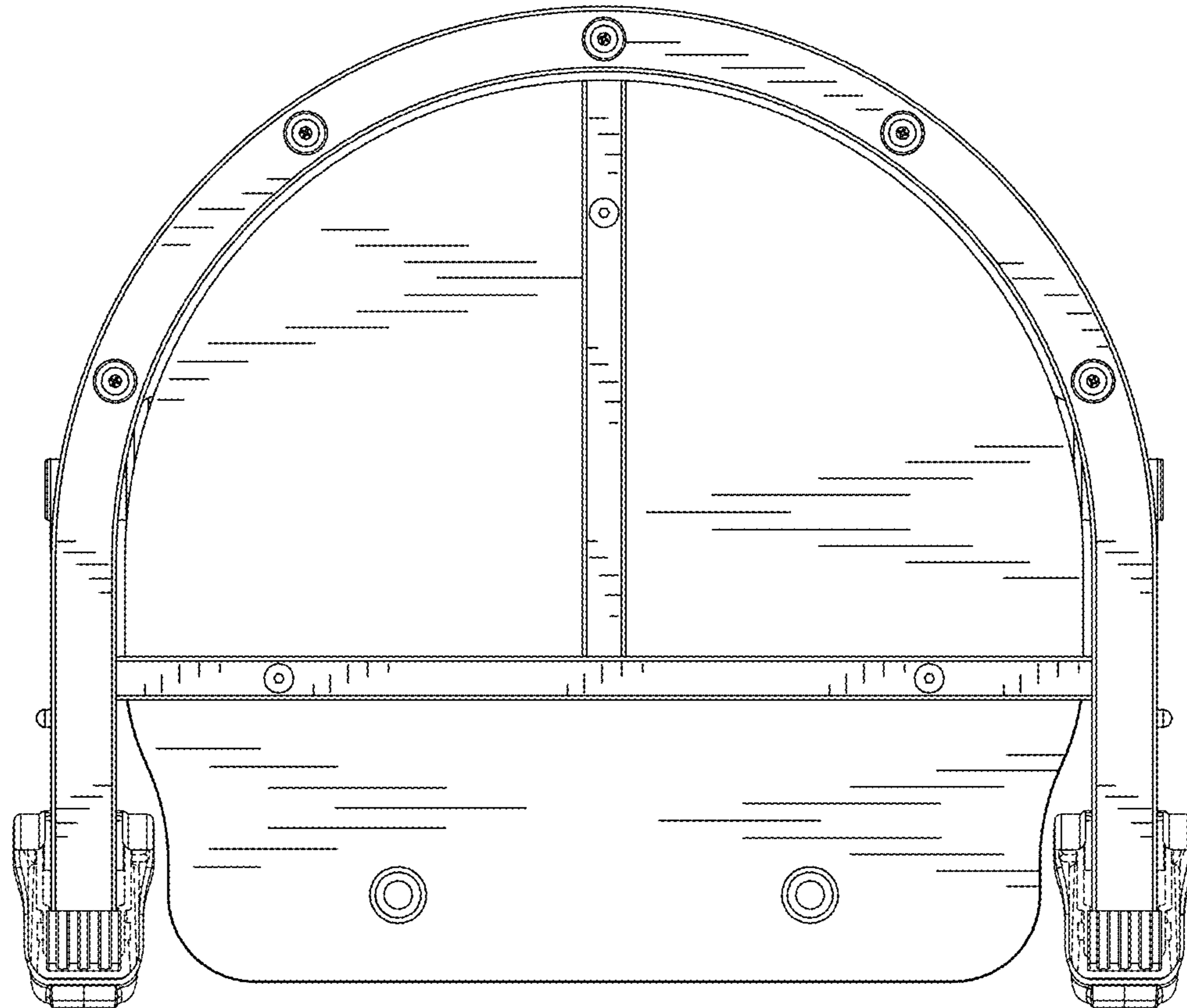


FIG. 7

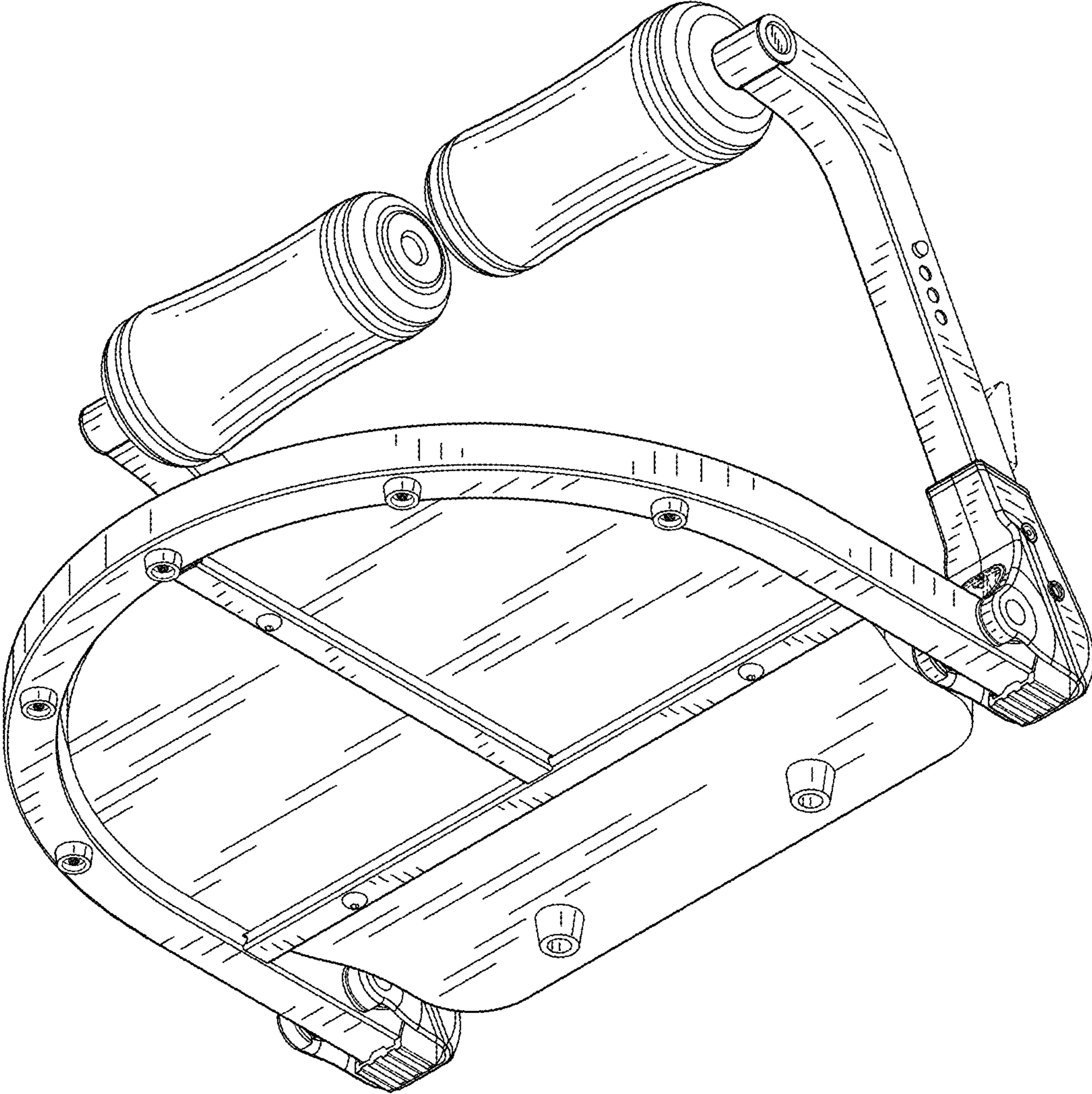


FIG. 8