



US00D791885S

(12) **United States Design Patent**
Rosan

(10) **Patent No.:** **US D791,885 S**
(45) **Date of Patent:** **** Jul. 11, 2017**

(54) **BLOCK FOR A MODULAR SYSTEM**

(71) Applicant: **EverBlock Systems, LLC**, New York, NY (US)
(72) Inventor: **Arnon Rosan**, New York, NY (US)
(73) Assignee: **EverBlock Systems, LLC**, New York, NY (US)

(**) Term: **15 Years**

(21) Appl. No.: **29/556,698**

(22) Filed: **Mar. 2, 2016**

(51) **LOC (10) Cl.** **21-01**

(52) **U.S. Cl.**
USPC **D21/500**

(58) **Field of Classification Search**

USPC D21/478, 479, 484, 485-505; 446/69, 446/85, 102-128; 434/208, 259, 403; 273/153, 156, 160; 428/174; D25/113, D25/115, 118
CPC A63H 33/00; A63H 33/04; A63H 33/06; A63H 33/08; A63H 33/10; A63H 33/12; A63H 33/14; A63F 9/0608; A63F 9/12; G09B 1/36

See application file for complete search history.

(56) **References Cited**

U.S. PATENT DOCUMENTS

879,455 A * 2/1908 Frost A63H 33/04 446/124
D148,930 S * 3/1948 Hickman D21/499
3,005,282 A 10/1961 Christiansen
D194,083 S 11/1962 Brach
3,162,973 A * 12/1964 Christiansen A63H 33/086 446/128
3,382,632 A * 5/1968 Grofcsik E04B 2/10 52/223.7

(Continued)

OTHER PUBLICATIONS

Lego Classic website, May 31, 2016, (1 page).

(Continued)

Primary Examiner — Cynthia M Chin

(74) *Attorney, Agent, or Firm* — Metz Lewis Brodman
Must O'Keefe LLC

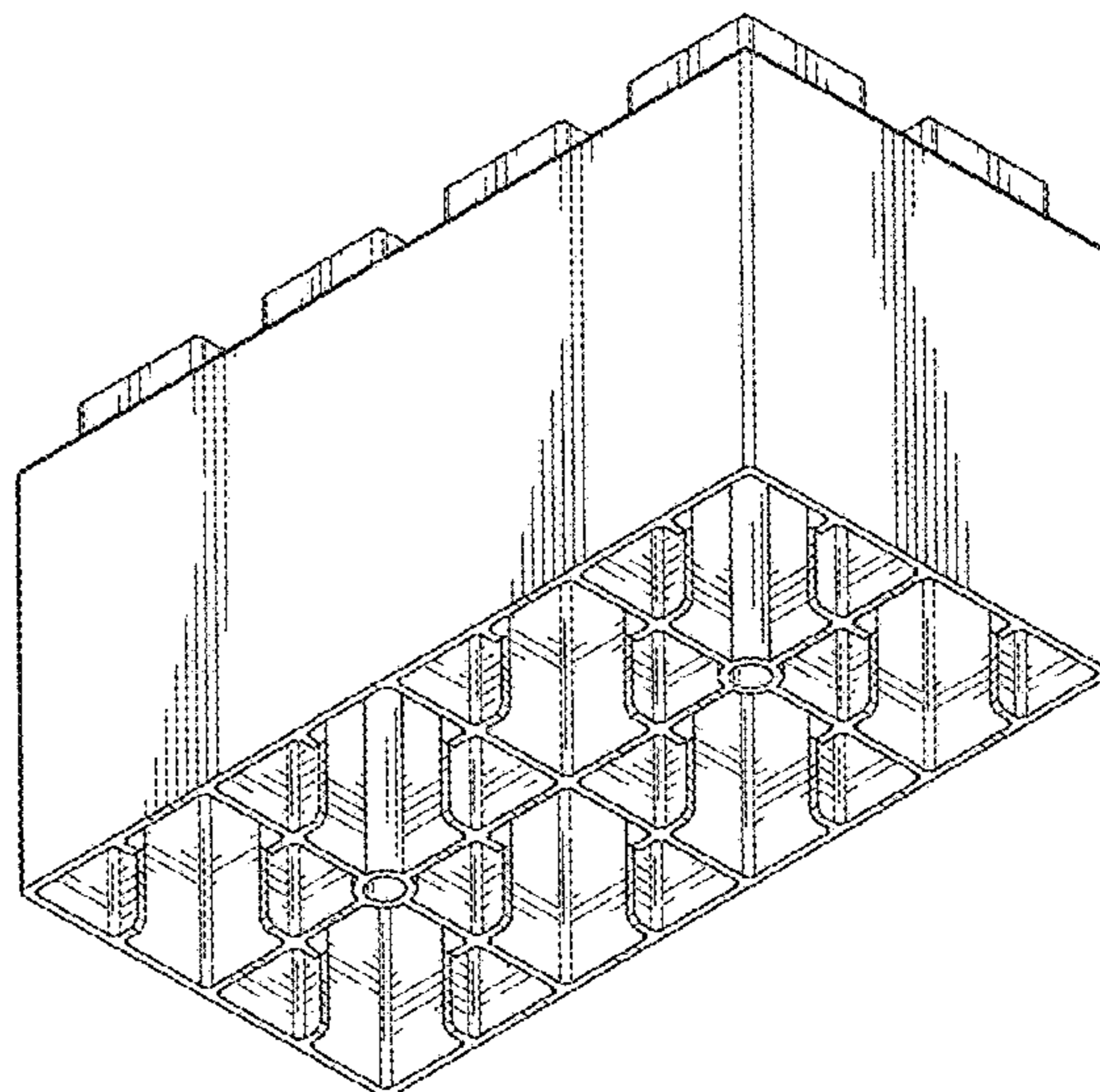
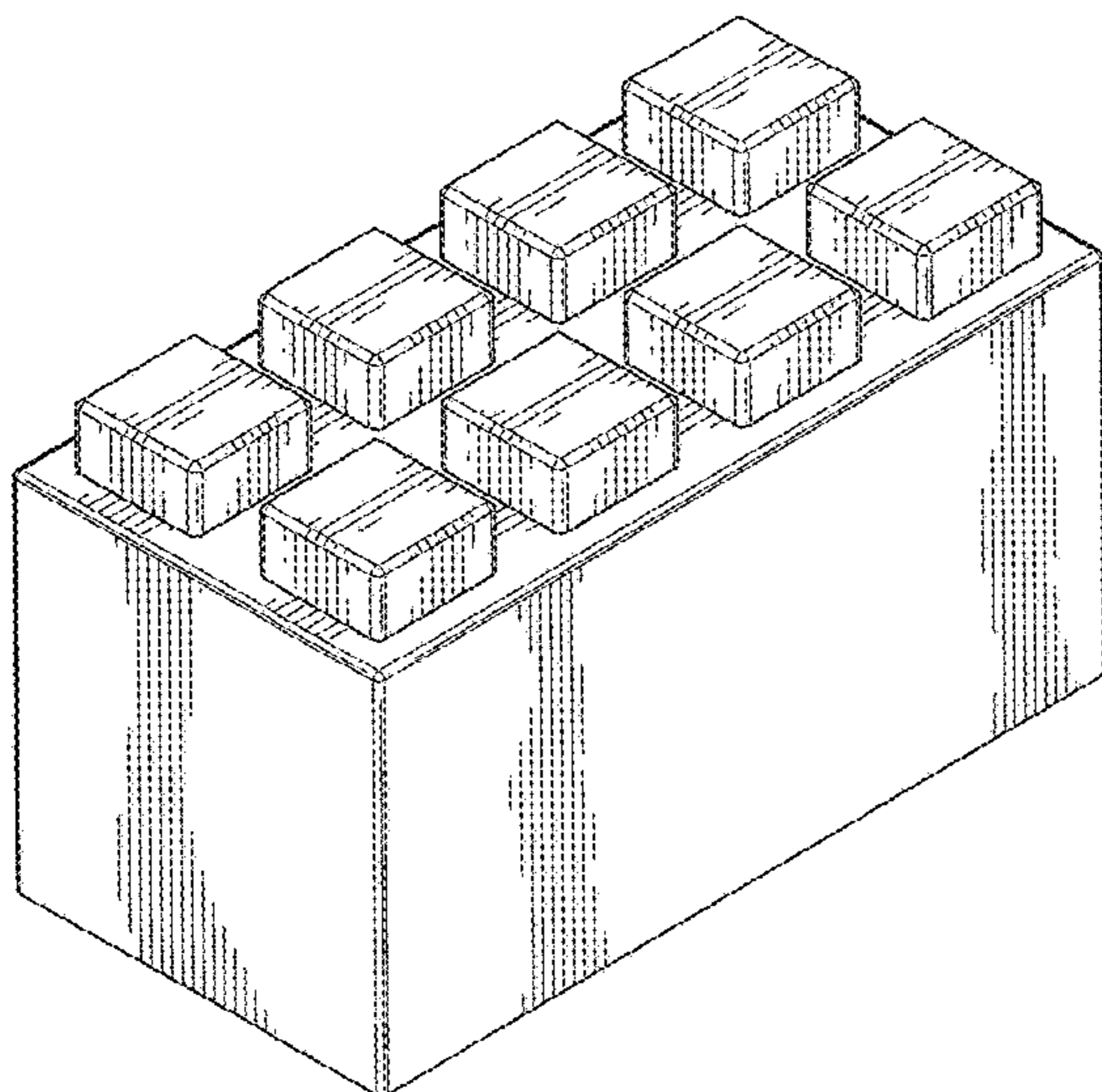
(57) **CLAIM**

The ornamental design of a block for a modular system, as shown and described.

DESCRIPTION

FIG. 1 is a top perspective view of one embodiment of the block for the modular system;
FIG. 2 is a bottom perspective view of the block of FIG. 1;
FIG. 3 is a right side elevation of the block of FIG. 1, with the left side elevation being the same;
FIG. 4 is front elevation of the block of FIG. 1, with the back elevation being the same;
FIG. 5 is a top plan view of the block of FIG. 1;
FIG. 6 is a bottom plan of the block of FIG. 1;
FIG. 7 is a cross-sectional view of the block along line 7-7 from FIG. 5;
FIG. 8 is a top perspective view of a second embodiment of the block for the modular system;
FIG. 9 is a bottom perspective view of the block of FIG. 8;
FIG. 10 is a right side elevation of the block of FIG. 8, with the left, front and back side elevations being the same;
FIG. 11 is a top plan view of the block of FIG. 8;
FIG. 12 is a bottom plan of the block of FIG. 8; and,
FIG. 13 is a cross-sectional view of the block along line 13-13 from FIG. 11.
The broken lines are for the purpose of illustrating portions of the article that form no part of the claim.

1 Claim, 8 Drawing Sheets



(56)

References Cited

U.S. PATENT DOCUMENTS

4,026,086 A * 5/1977 Langley E04B 2/06
 335/306
 D304,042 S 10/1989 Poulsen
 D317,482 S 6/1991 Michaelsen
 5,061,218 A * 10/1991 Garage A63H 33/086
 446/102
 D326,874 S 6/1992 Dideriksen
 D331,696 S 12/1992 Graham
 D368,939 S 4/1996 Frederiksen
 D376,281 S 12/1996 Robertson
 D378,837 S * 4/1997 Olsen D21/500
 D387,431 S * 12/1997 Tremblay D25/113
 D391,110 S 2/1998 Graebe
 5,833,386 A 11/1998 Rosan
 D409,676 S 5/1999 Toft
 D416,143 S 11/1999 Ragan
 D426,933 S * 6/2000 Redfern D21/491
 6,200,187 B1 3/2001 Olsen et al.
 D445,148 S * 7/2001 McIntosh D21/500
 D449,170 S 10/2001 Kim
 D457,971 S * 5/2002 Schrader D25/113
 D552,190 S 10/2007 Glickman
 D581,553 S 11/2008 Cooper
 D652,952 S * 1/2012 Angel D25/113

D686,676 S * 7/2013 Telford D21/486
 D689,954 S 9/2013 Rya
 D695,534 S 12/2013 Matasovi
 D717,379 S * 11/2014 Deutsch D21/499
 D724,760 S 3/2015 Saunders
 9,187,895 B2 * 11/2015 Rodriguez Carassus . E04B 2/06
 D746,605 S 1/2016 Matasovic
 D748,415 S 2/2016 DeRoeck
 D751,153 S 3/2016 Lacroix et al.
 D753,774 S 4/2016 Proulx et al.

OTHER PUBLICATIONS

Mega Bloks website, May 31, 2016, (1 page).
 United States Patent and Trademark Office; Notice of Allowance/
 Notice of Allowability; Notice of Allowance/Notice of Allowability
 from U.S. Appl. No. 29/556,669; pp. 1-9; publisher United States
 Patent and Trademark Office; published Alexandria, Virginia, USA;
 copyright and mailing date Jan. 12, 2017; copy enclosed (9 pages).
 United States Patent and Trademark Office; Office Action; Office
 Action from U.S. Appl. No. 29/556,648; pp. 1-14; publisher United
 States Patent and Trademark Office; published Alexandria, Virginia,
 USA; copyright and mailing date Nov. 16, 2016; copy enclosed (14
 pages).

* cited by examiner

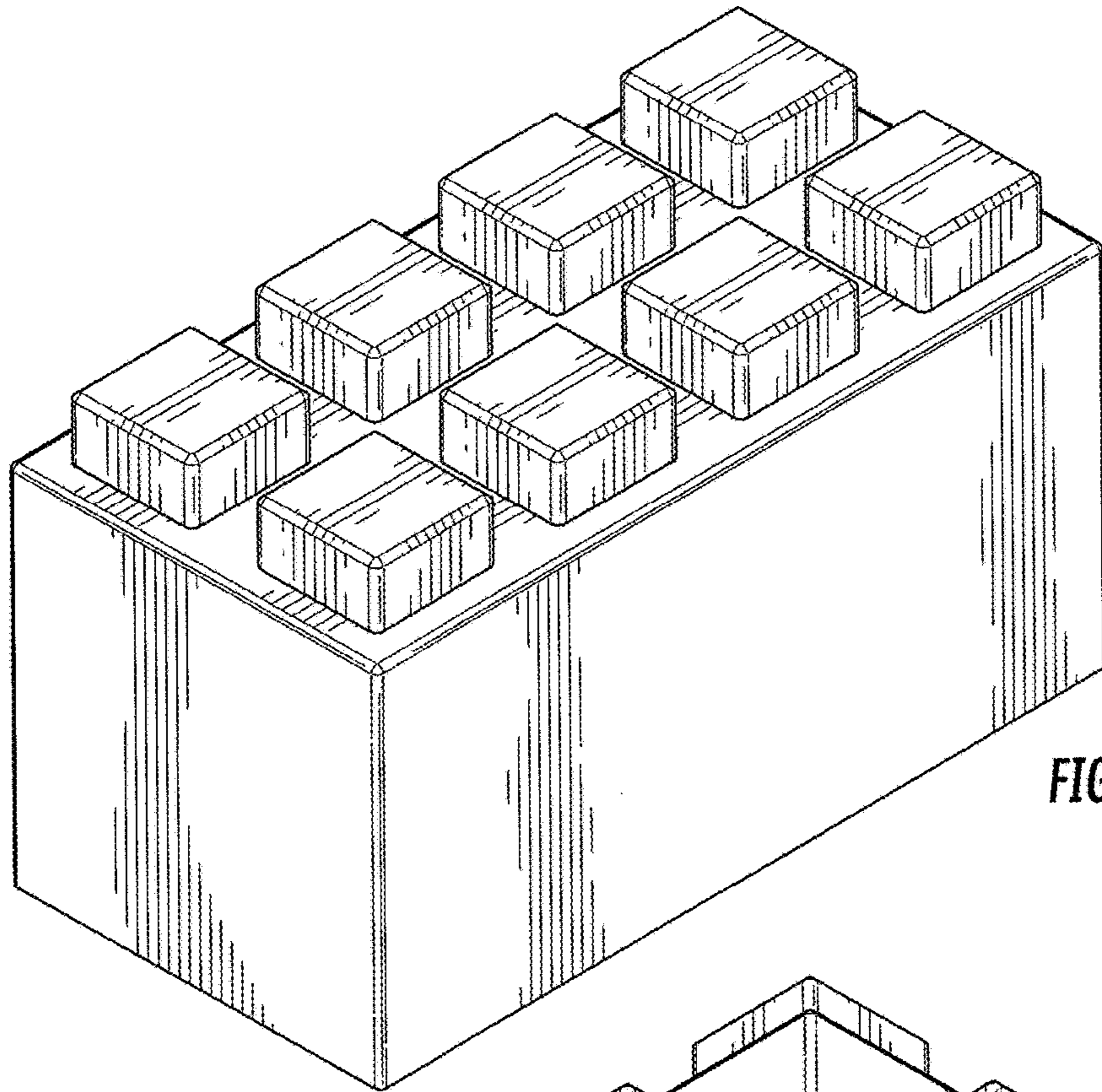


FIG. 1

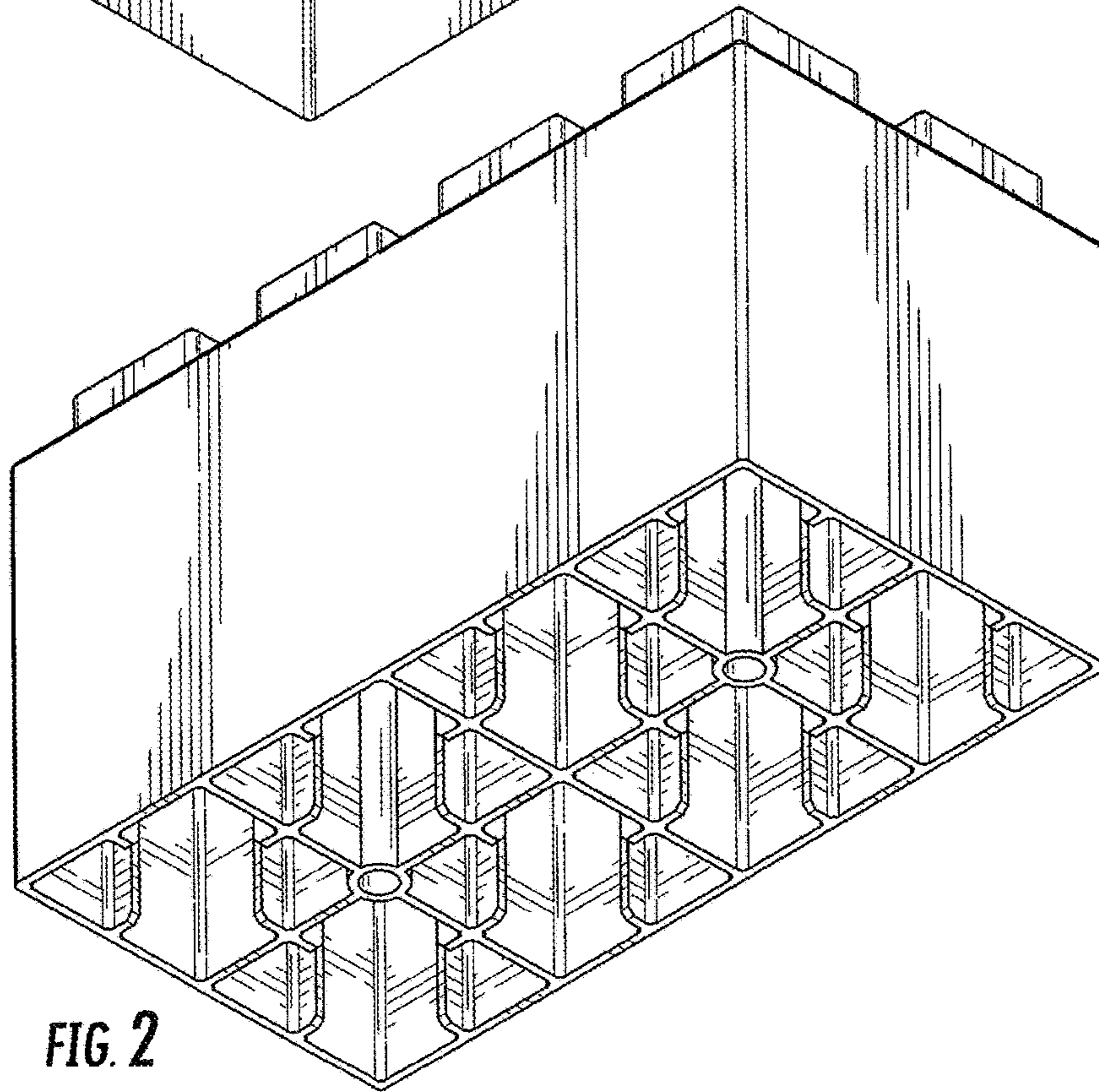


FIG. 2

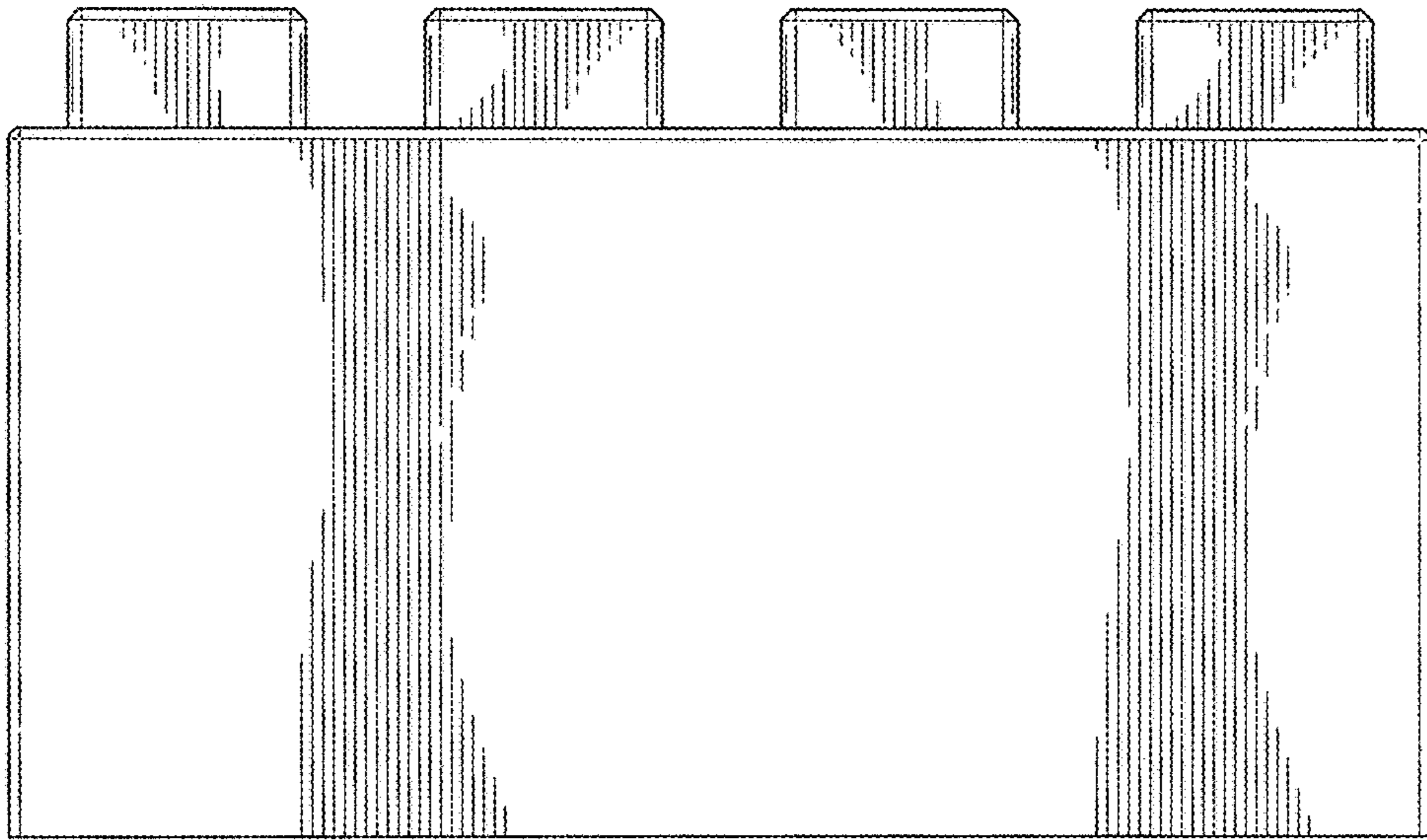


FIG. 3

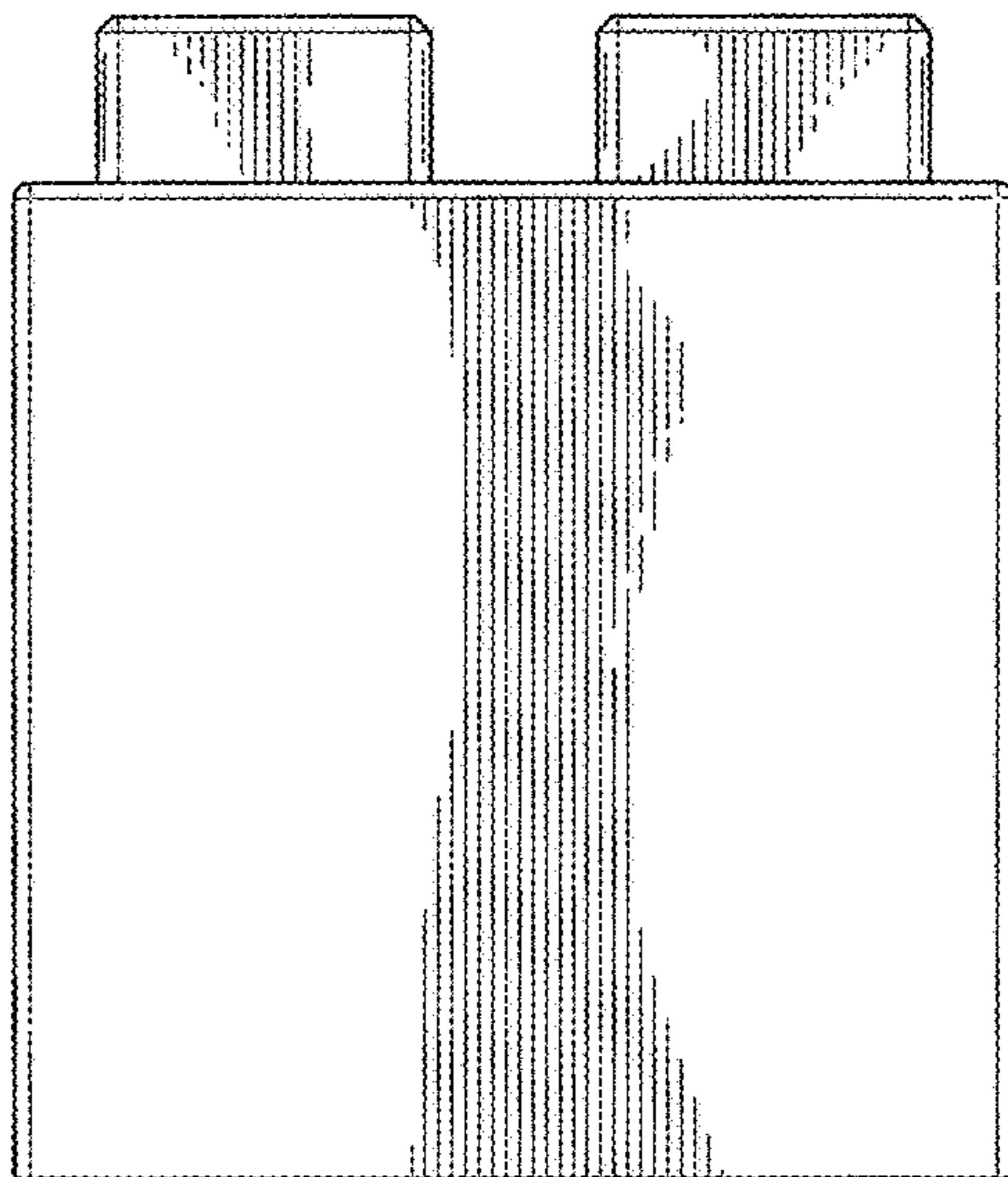


FIG. 4

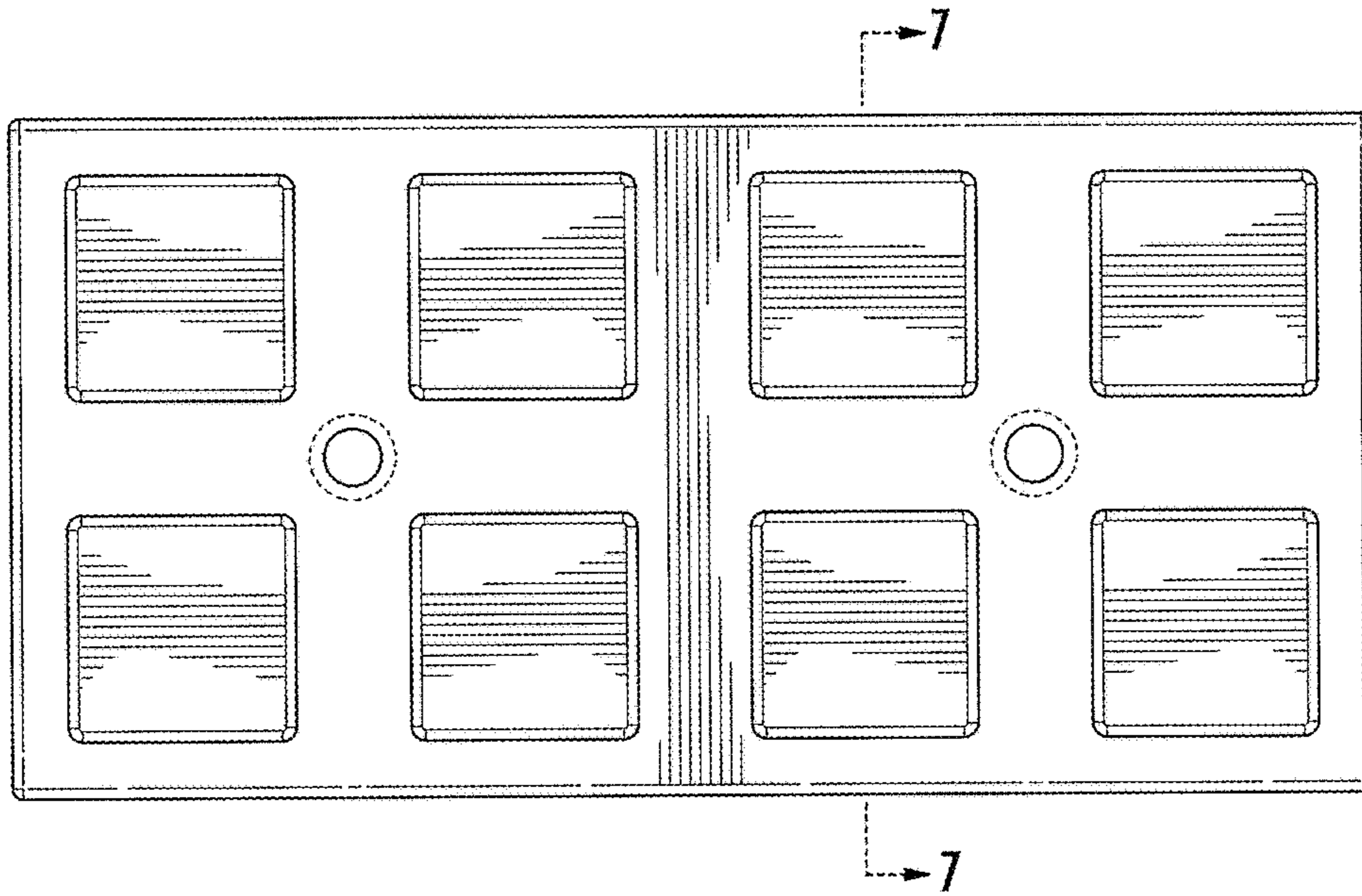


FIG. 5

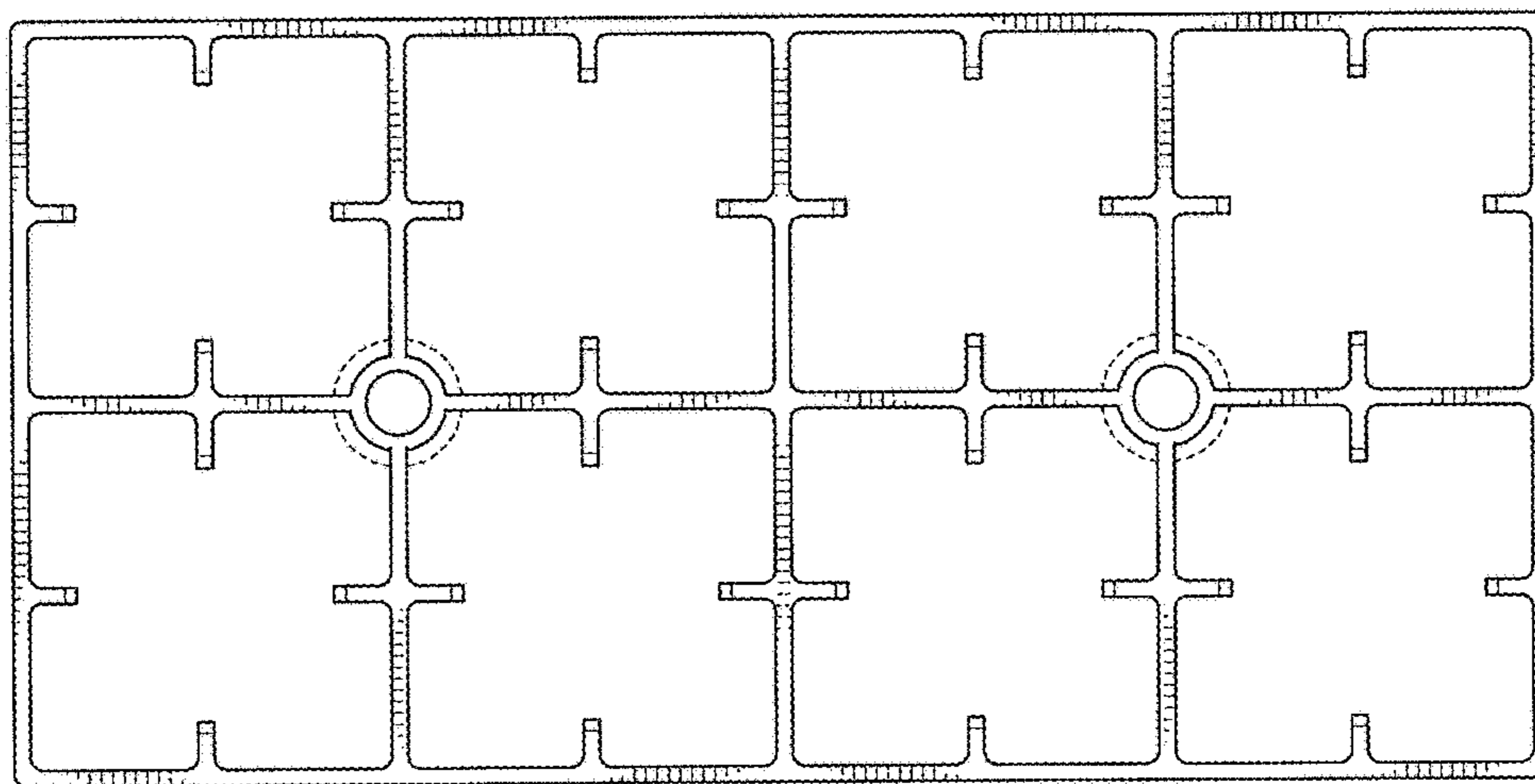


FIG. 6

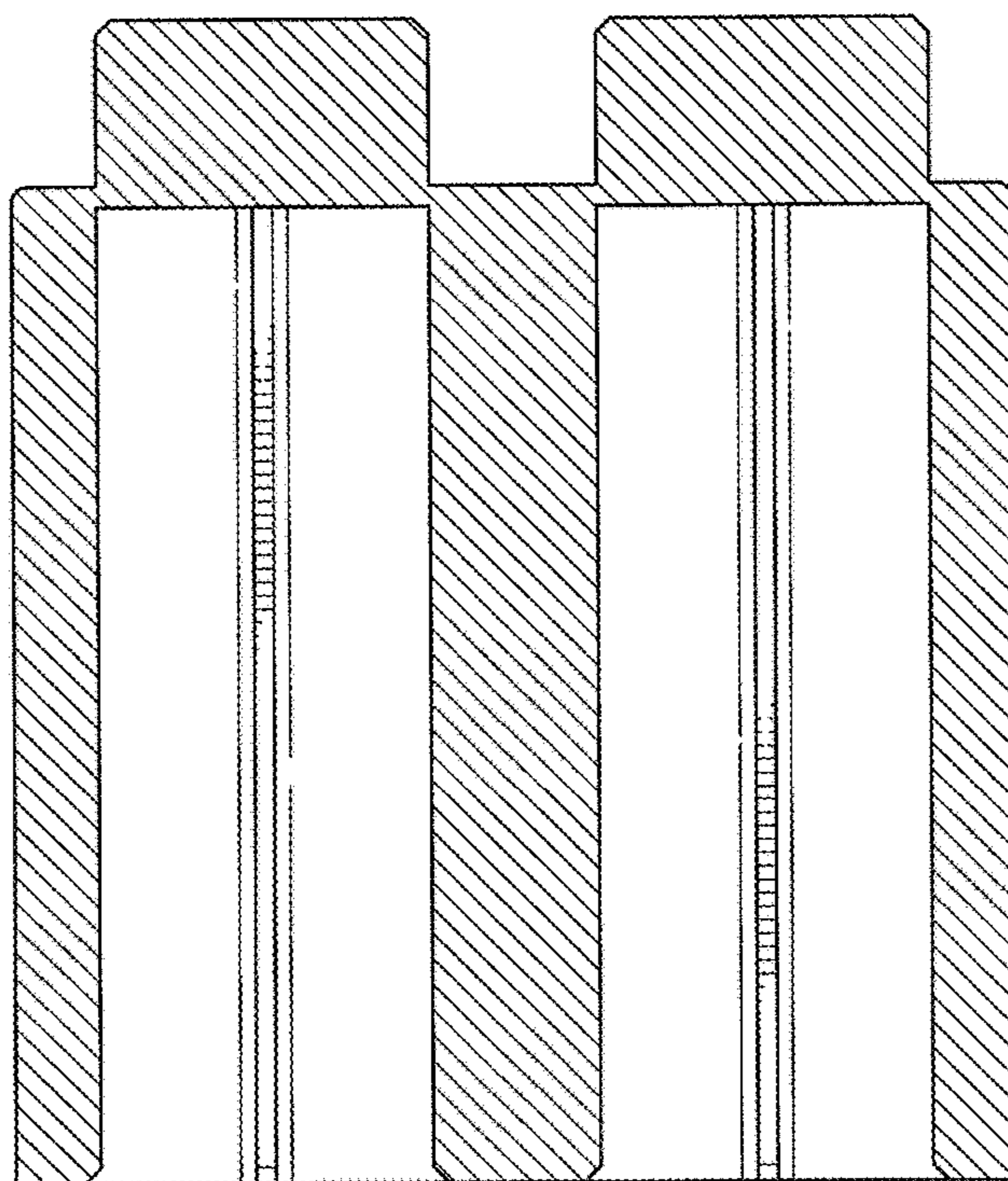


FIG. 7

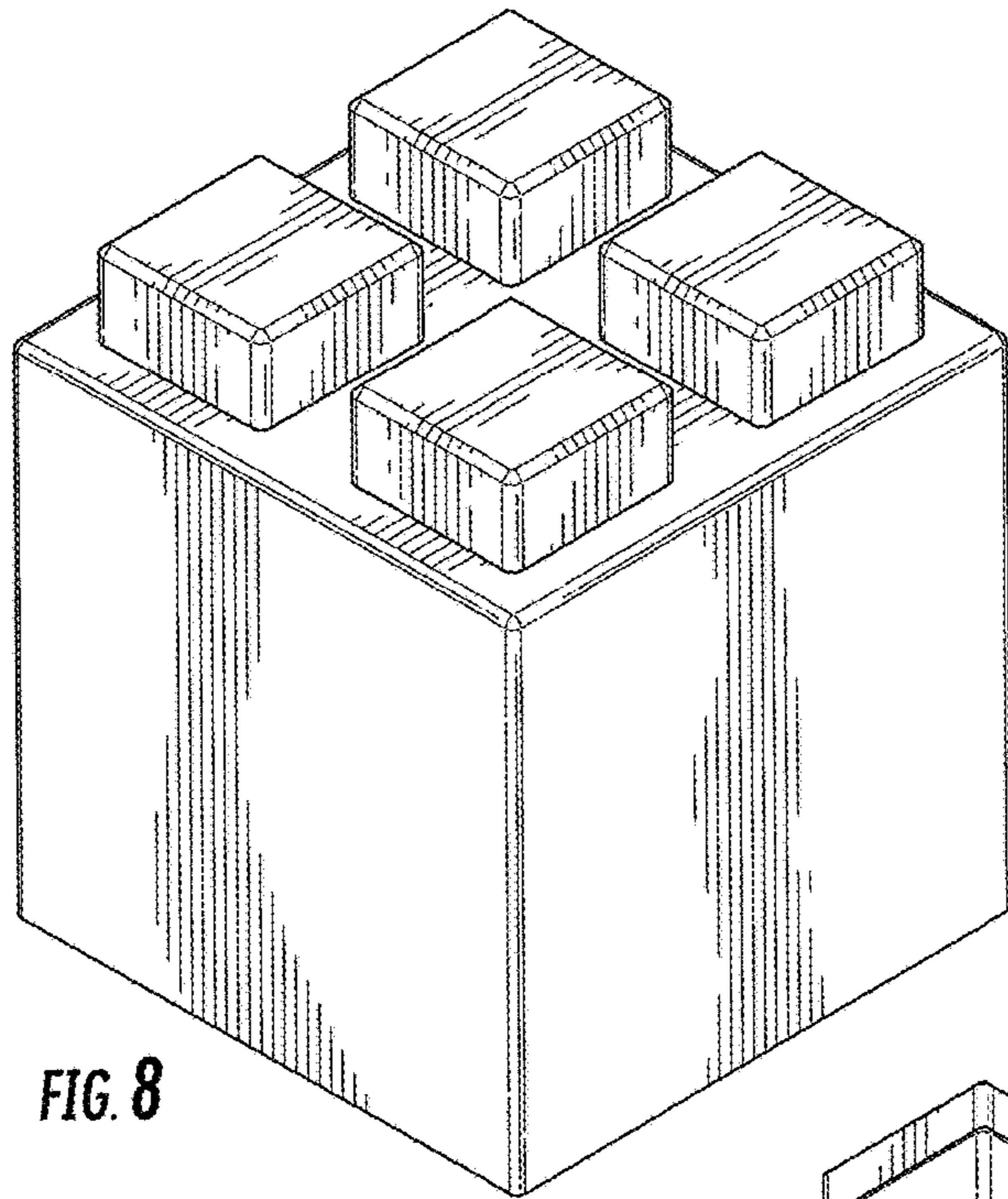


FIG. 8

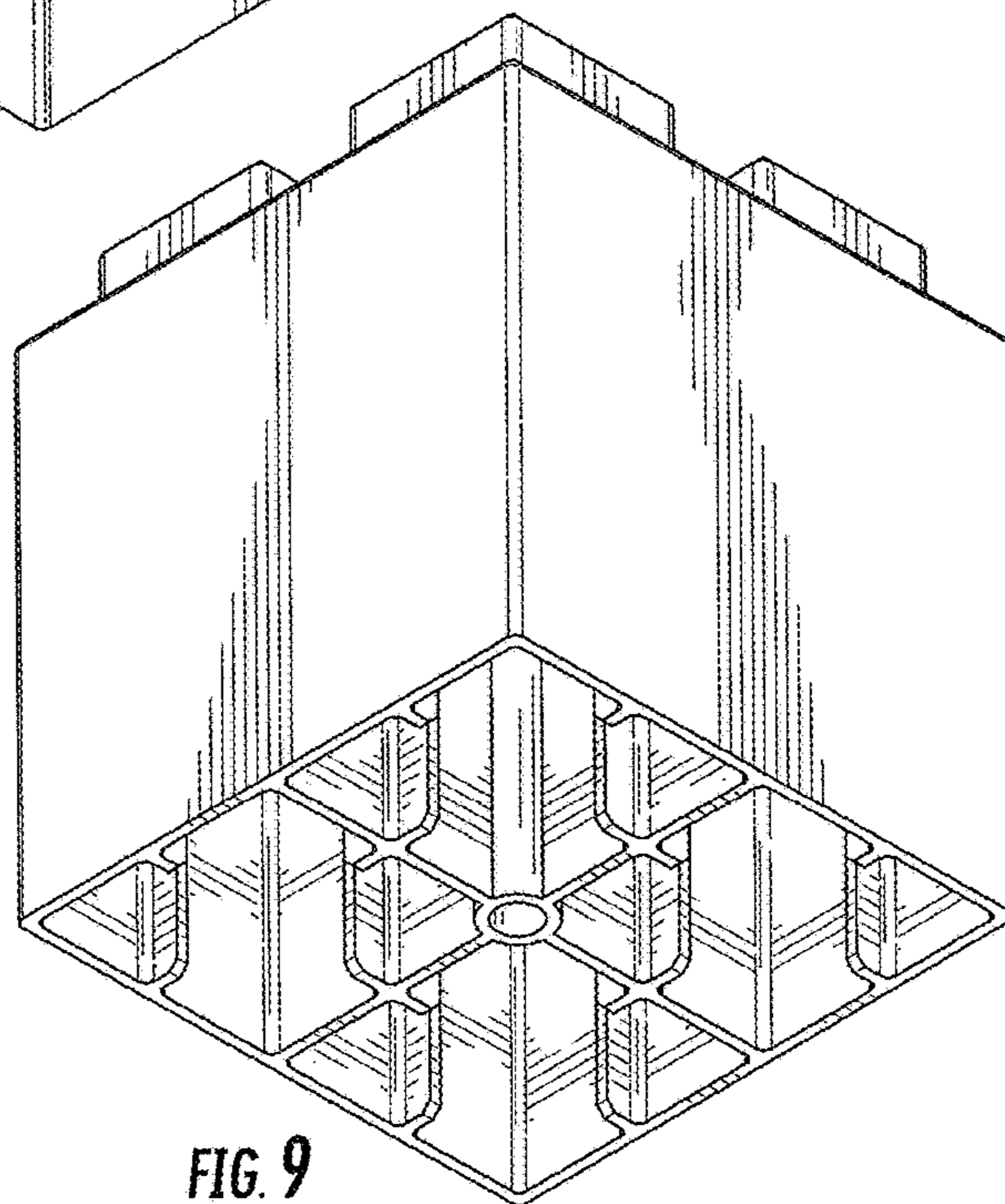


FIG. 9

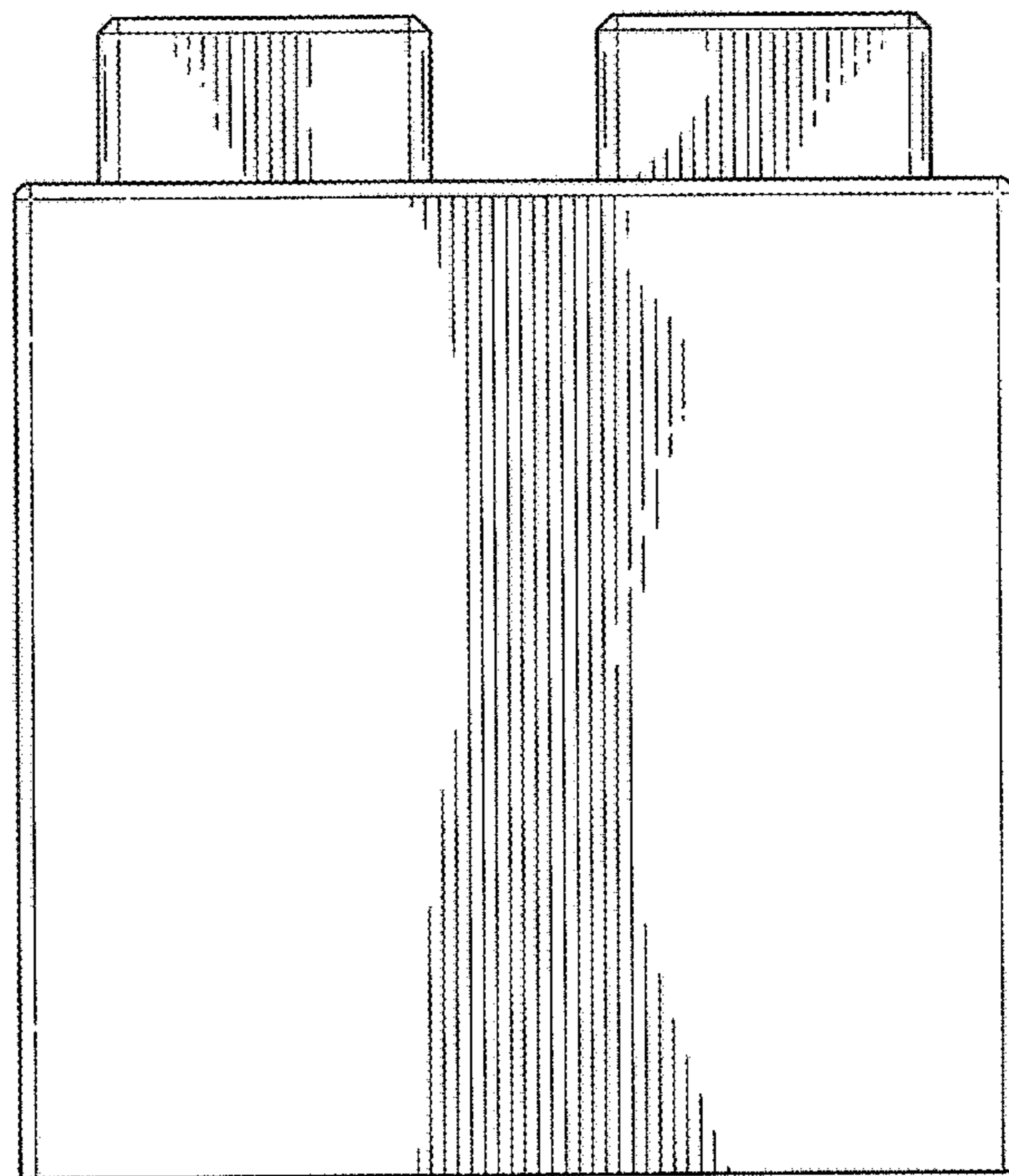


FIG. 10

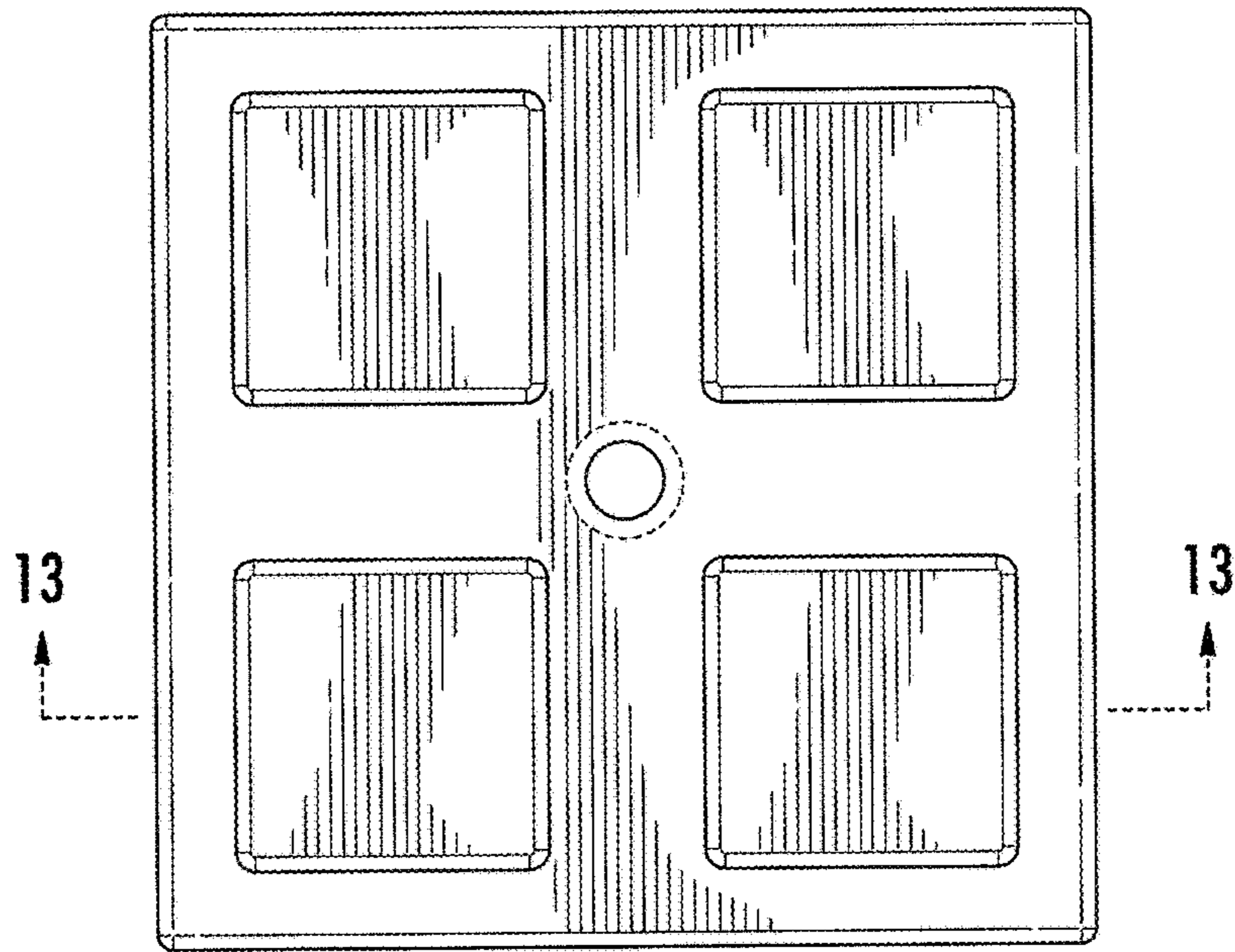


FIG. 11

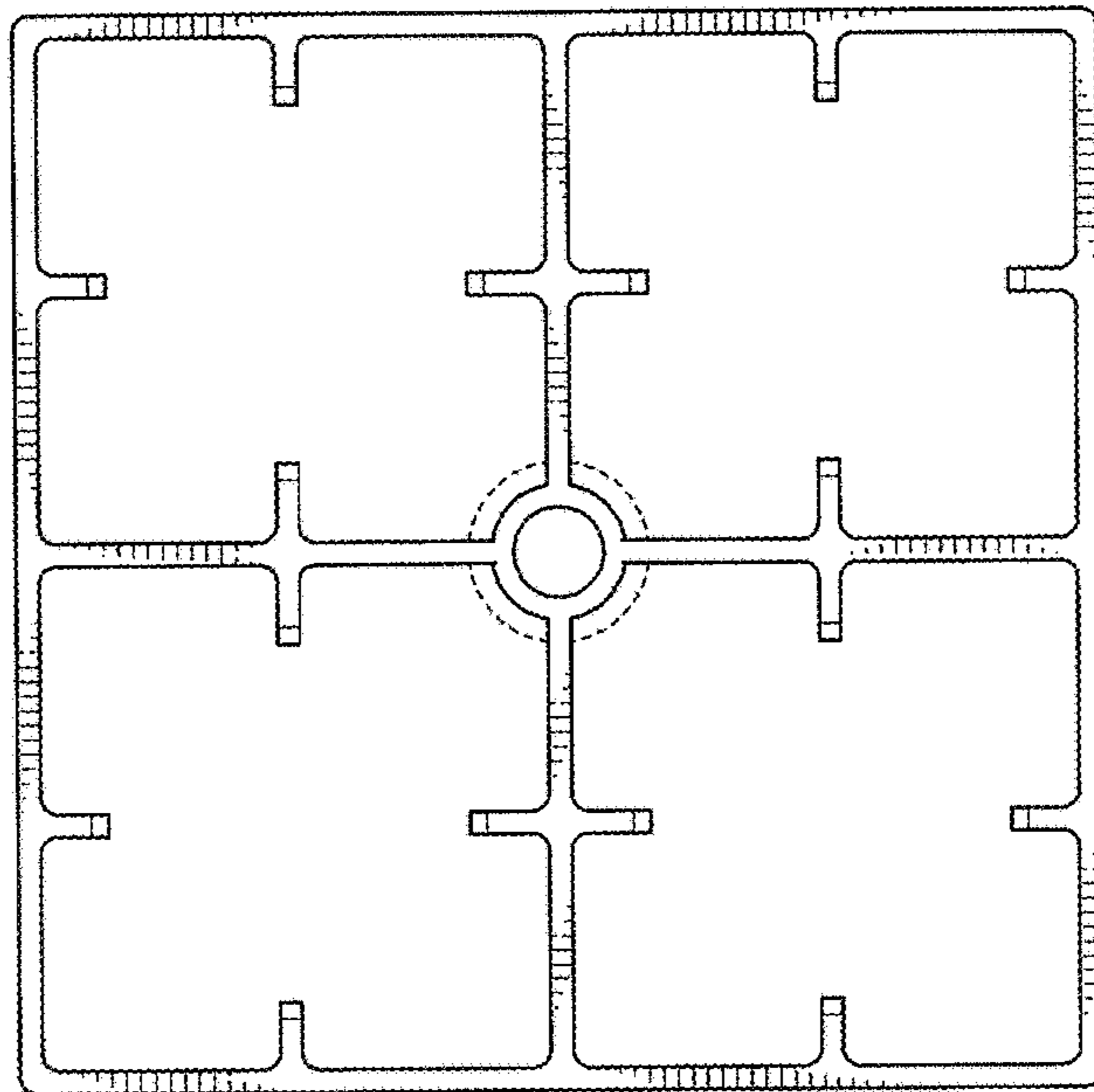


FIG. 12

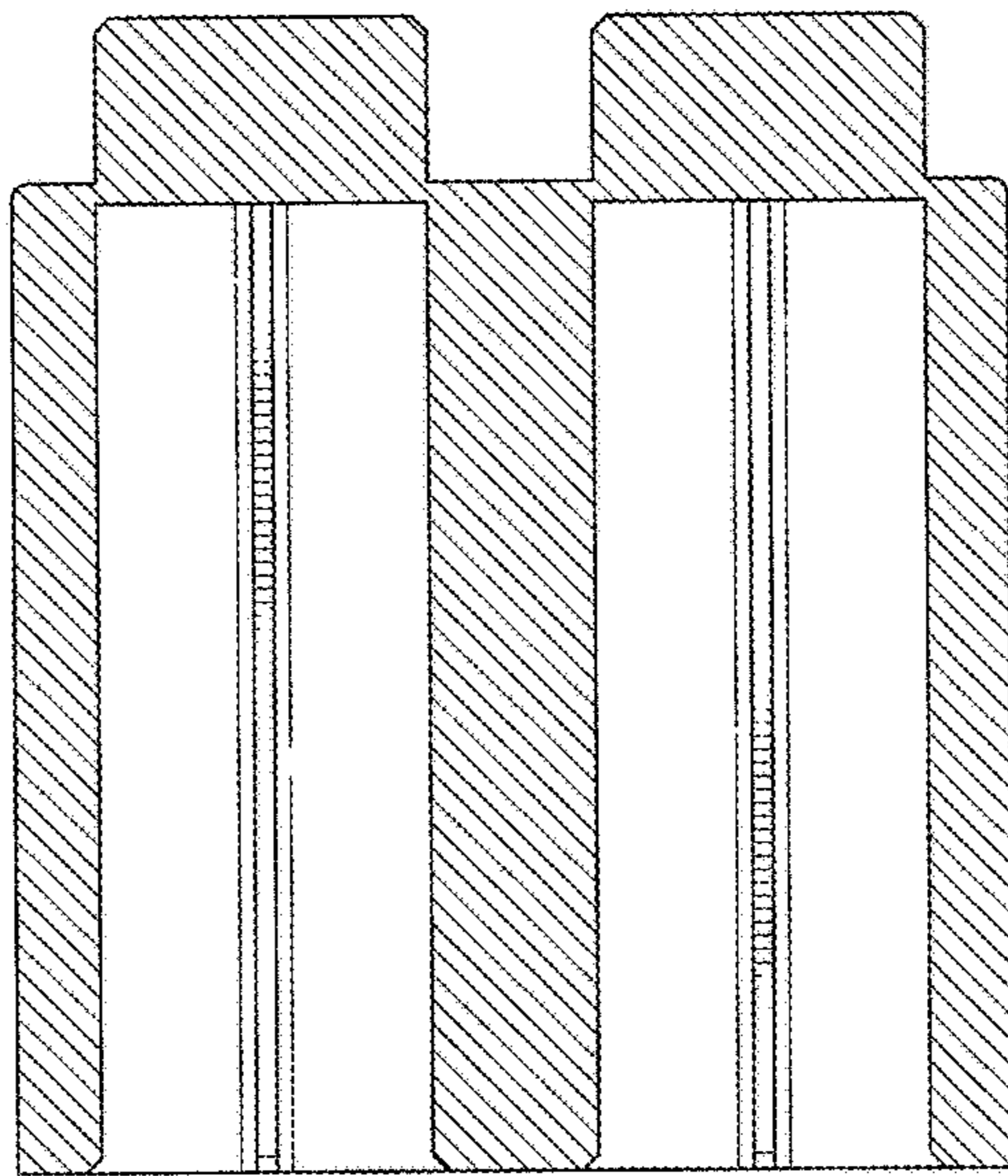


FIG. 13