



US00D791879S

(12) **United States Design Patent** (10) **Patent No.:** **US D791,879 S**  
**Sabin et al.** (45) **Date of Patent:** **\*\* Jul. 11, 2017**

(54) **GIFT CARD MAZE PUZZLE**

(56) **References Cited**

(71) Applicants: **Paul Sabin**, Needham, MA (US);  
**Adrienne Jalbert**, Waltham, MA (US);  
**Emily Batt**, Merrimack, NH (US)

U.S. PATENT DOCUMENTS

268,920 A \* 12/1882 Meier ..... A63F 9/0826  
273/153 S  
416,258 A \* 12/1889 Dunn ..... A63F 7/044  
273/115  
422,388 A \* 3/1890 Flanagan ..... A63F 9/0826  
273/153 S  
444,112 A \* 1/1891 Batdorf ..... A63F 7/044  
273/115  
D26,186 S \* 10/1896 Schwartz ..... 273/109  
586,168 A \* 7/1897 Emerson et al. .... A63F 9/0826  
273/108

(72) Inventors: **Paul Sabin**, Needham, MA (US);  
**Adrienne Jalbert**, Waltham, MA (US);  
**Emily Batt**, Merrimack, NH (US)

(73) Assignee: **FIKST, LLC**, Woburn, MA (US)

(\*\*) Term: **15 Years**

(Continued)

*Primary Examiner* — Susan Moon Lee

(21) Appl. No.: **29/528,359**

(22) Filed: **May 28, 2015**

(51) **LOC (10) Cl.** ..... **21-01**

(52) **U.S. Cl.**  
USPC ..... **D21/323**; D21/478

(57) **CLAIM**

The ornamental design for a gift card maze puzzle, as shown and described.

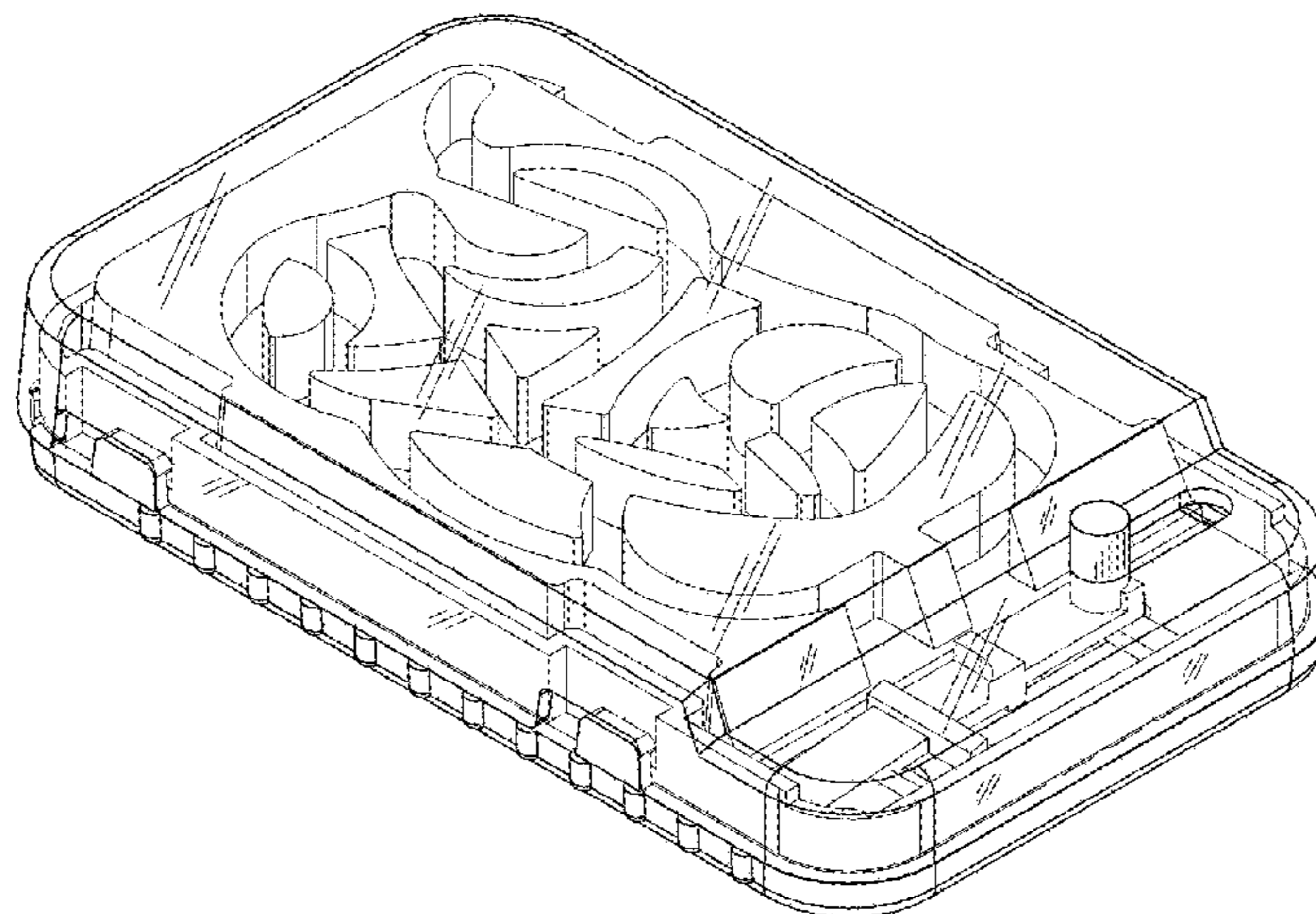
(58) **Field of Classification Search**  
USPC ..... D21/323, 478, 811, 812, 300, 310–313,  
D21/320, 322, 325, 326, 336, 340, 369,  
D21/398, 468, 475, 813; D19/2, 9, 59,  
D19/60, 62, 64; 273/153 R, 155, 153 S,  
273/317.7, 341.1, 370, 398, 400, 406,  
273/108, 108.21, 108.57, 109–124 R,  
273/118 D, 127 R, 129 W, 242, 243, 275,  
273/280, 287, 138.3–138.5, 440, 441,  
273/445–450, 454–461;  
40/124.01–124.04, 124.06, 124.08,  
40/124.16, 124.19, 1, 409, 426, 427, 446;  
463/7, 9, 10, 15, 37, 46–49, 58, 61, 63,  
463/64, 68, 69; 446/26, 71, 73, 75, 102,  
446/103, 118, 124, 168, 170–172, 176,  
446/192, 267, 475, 491; 434/401  
CPC .. A63F 7/00; A63F 7/0088; A63F 7/02; A63F  
7/025; A63F 7/04–7/048; A63F 7/3622;  
A63F 9/0857; A63F 9/34; A63F 9/00;  
A63D 13/00; A63H 31/00; A63H 31/04;  
A63H 31/06; A63H 31/08; G07F 7/0833;  
G07F 7/08; G07F 7/0806; G09B 1/00

**DESCRIPTION**

FIG. 1 is a top perspective view of a gift card maze puzzle showing our new design;  
FIG. 2 is a bottom perspective view thereof;  
FIG. 3 is a top view thereof;  
FIG. 4 is a bottom view thereof;  
FIG. 5 is a right side view thereof; the left side view is a mirror images of the right side;  
FIG. 6 is a back view thereof; and,  
FIG. 7 is a front view thereof.  
The broken line showing of the words “Puzzlerz!” and “OPEN” depicted on the bottom surface of the invention in FIGS. 2 and 4 is for illustrative purposes only and forms no part of the claimed design.  
The gift card maze puzzle is designed to hold a gift card or money.

See application file for complete search history.

**1 Claim, 4 Drawing Sheets**



(56)

References Cited

U.S. PATENT DOCUMENTS

|               |         |                |              |            |                   |         |           |              |
|---------------|---------|----------------|--------------|------------|-------------------|---------|-----------|--------------|
| 591,817 A *   | 10/1897 | Collmar et al. | A63F 7/025   | 273/111    | D265,917 S *      | 8/1982  | Hamaguchi | D21/311      |
| D28,048 S *   | 12/1897 | Tourny         |              | 273/109    | 4,361,327 A *     | 11/1982 | Kurita    | A63F 7/04    |
| D28,143 S *   | 1/1898  | Reid           |              | D21/340    |                   |         |           | 273/119 R    |
| D28,205 S *   | 1/1898  | Elmberg        |              | D21/340    | D275,210 S *      | 8/1984  | Matsumoto | D21/329      |
| D28,614 S *   | 5/1898  | Clarke         |              | D21/340    | 4,662,846 A *     | 5/1987  | Quercetti | A63F 7/025   |
| 737,899 A *   | 9/1903  | Bigham         | A63F 9/0826  | 273/153 S  |                   |         |           | 273/122 R    |
| D38,378 S *   | 12/1906 | Wood           |              | D21/340    | 5,112,052 A *     | 5/1992  | Yamaura   | A63F 3/00895 |
| 856,749 A *   | 6/1907  | Webster        | A63F 9/0826  | 273/153 S  |                   |         |           | 273/108      |
| 886,999 A *   | 5/1908  | Lowery         | A63F 7/044   | 273/113    | 5,188,556 A *     | 2/1993  | Hartelius | A63F 7/3622  |
| 963,293 A *   | 7/1910  | Johnson        | A63F 9/0826  | 273/153 R  |                   |         |           | 124/78       |
| 1,176,076 A * | 3/1916  | Melius         | A63F 7/044   | 273/108.33 | 5,295,693 A *     | 3/1994  | Dobson    | A63F 7/00    |
| 1,269,494 A * | 6/1918  | Nielson        | A63F 7/025   | 273/121 R  |                   |         |           | 273/108      |
| 1,285,550 A * | 11/1918 | Armstrong      | A63F 7/044   | 273/113    | 5,310,184 A *     | 5/1994  | Grist     | A63F 7/041   |
| D56,150 S *   | 8/1920  | Guerin         |              | D21/340    |                   |         |           | 273/153 R    |
| 1,368,425 A * | 2/1921  | Escobar        | A63F 7/041   | 273/113    | 5,314,367 A *     | 5/1994  | Schaefer  | A63F 7/041   |
| D60,450 S *   | 2/1922  | Antiga et al.  |              | D21/340    |                   |         |           | 273/108      |
| 1,425,793 A * | 8/1922  | Post           | A63F 7/044   | 273/116    | D349,303 S *      | 8/1994  | Kaplan    | D21/312      |
| 1,544,411 A * | 6/1925  | Kern           | A63F 7/044   | 273/112    | 5,839,723 A *     | 11/1998 | Grimes    | A63F 7/042   |
| D83,036 S *   | 1/1931  | Evans et al.   |              | 273/108.2  |                   |         |           | 273/109      |
| 2,008,009 A * | 7/1935  | Firestone      | A63F 7/025   | 273/121 E  | 5,857,674 A *     | 1/1999  | Legrand   | A63F 3/00145 |
| 2,460,264 A * | 1/1949  | Prentice       | A63F 3/00006 | 273/243    |                   |         |           | 273/153 S    |
| 2,711,900 A * | 6/1955  | Tressler       | A63F 7/04    | 273/126 R  | 6,398,216 B1 *    | 6/2002  | Humphrey  | A63F 7/027   |
| 2,956,807 A * | 10/1960 | Luchsinger     | A63F 7/047   | 273/108    |                   |         |           | 273/118 R    |
| D217,170 S *  | 4/1970  | Smith          |              | D21/340    | 6,485,017 B1 *    | 11/2002 | Ng        | A63F 9/0078  |
| D218,763 S *  | 9/1970  | Smith          |              | 273/242    |                   |         |           | 273/108      |
| 3,758,113 A * | 9/1973  | Trbovich       | A63F 7/06    | 273/108.4  | 6,688,935 B1 *    | 2/2004  | Lin       | A63H 33/28   |
| D228,560 S *  | 10/1973 | Trbovich       |              | D21/323    |                   |         |           | 206/216      |
| 3,768,810 A * | 10/1973 | Goldfarb       | A63F 7/3622  | 273/120 R  | 7,520,425 B2 *    | 4/2009  | Clegg     | G06K 7/006   |
| 3,829,088 A * | 8/1974  | Pahlas         | A63F 7/047   | 273/116    |                   |         |           | 150/147      |
| 3,934,881 A * | 1/1976  | Goldfarb       | A63F 7/386   | 273/110    | D609,089 S *      | 2/2010  | Knox, Jr. | D9/432       |
| D243,780 S *  | 3/1977  | Yamagata       |              | D21/323    | D613,330 S *      | 4/2010  | Ho        | D18/2        |
| D243,781 S *  | 3/1977  | Yamagata       |              | D21/312    | 7,861,926 B2 *    | 1/2011  | Sheldon   | G06Q 20/3415 |
| D245,354 S *  | 8/1977  | Yamagata       |              | D21/320    |                   |         |           | 235/380      |
| D245,355 S *  | 8/1977  | Yamagata       |              | D21/320    | D634,780 S *      | 3/2011  | Schumann  | D19/9        |
| D247,859 S *  | 5/1978  | Sato           |              | D21/312    | D635,187 S *      | 3/2011  | Pompei    | D19/9        |
| 4,159,593 A * | 7/1979  | Miller         | A63F 7/02    | 273/456    | D652,447 S *      | 1/2012  | Knox, Jr. | D19/2        |
| 4,239,220 A * | 12/1980 | Kurita         | A63F 7/04    | 273/122 R  | 8,151,991 B2 *    | 4/2012  | Ehrlich   | B65D 73/0028 |
| 4,258,918 A * | 3/1981  | Nishimiya      | A63F 7/386   | 273/110    |                   |         |           | 206/459.5    |
| 4,278,253 A * | 7/1981  | Hirose         | A63F 7/305   | 273/121 R  | 8,220,799 B2 *    | 7/2012  | Pompei    | G06Q 20/204  |
| D260,537 S *  | 9/1981  | Mayuzumi       |              | D21/312    |                   |         |           | 273/285      |
| D260,820 S *  | 9/1981  | Kato           |              | D21/323    | 8,683,721 B1 *    | 4/2014  | Bogdanski | A63F 7/022   |
| D261,911 S *  | 11/1981 | Mayuzumi       |              | D21/340    |                   |         |           | 40/124.02    |
| 4,299,387 A * | 11/1981 | Nishimiya      | A63F 7/025   | 273/119 A  | D720,004 S *      | 12/2014 | Roberts   | G06Q 20/105  |
| D263,862 S *  | 4/1982  | Mayuzumi       |              | D21/323    |                   |         |           | D19/9        |
| D264,097 S *  | 4/1982  | Mayuzumi       |              | D21/313    | 9,072,962 B1 *    | 7/2015  | Grist     | A63F 7/04    |
| D264,098 S *  | 4/1982  | Mayuzumi       |              | D21/340    | 2006/0157554 A1 * | 7/2006  | Halbur    | A63F 7/041   |
| D264,103 S *  | 4/1982  | Yoshimura      |              | D21/320    |                   |         |           | 235/380      |
| 4,335,878 A * | 6/1982  | Nishimiya      | A63F 7/305   | 273/119 R  | 2007/0194128 A1 * | 8/2007  | Coe       | A45C 11/00   |
|               |         |                |              |            |                   |         |           | 235/486      |
|               |         |                |              |            | 2007/0241198 A1 * | 10/2007 | Halbur    | G06Q 20/3437 |
|               |         |                |              |            |                   |         |           | 235/487      |
|               |         |                |              |            | 2008/0245875 A1 * | 10/2008 | Holt      | G06Q 20/363  |
|               |         |                |              |            |                   |         |           | 235/487      |
|               |         |                |              |            | 2009/0050693 A1 * | 2/2009  | Clegg     | B42D 15/022  |
|               |         |                |              |            |                   |         |           | 235/380      |
|               |         |                |              |            | 2009/0055253 A1 * | 2/2009  | Halbur    | G06Q 30/0215 |
|               |         |                |              |            |                   |         |           | 705/14.17    |
|               |         |                |              |            | 2009/0085286 A1 * | 4/2009  | Grist     | A63F 7/025   |
|               |         |                |              |            |                   |         |           | 273/121 D    |
|               |         |                |              |            | 2009/0108078 A1 * | 4/2009  | Schumann  | G06Q 20/105  |
|               |         |                |              |            |                   |         |           | 235/492      |
|               |         |                |              |            | 2009/0108079 A1 * | 4/2009  | Reynolds  | G06Q 20/3433 |
|               |         |                |              |            |                   |         |           | 235/494      |
|               |         |                |              |            | 2009/0166436 A1 * | 7/2009  | Haugen    | G06Q 20/105  |
|               |         |                |              |            |                   |         |           | 235/494      |
|               |         |                |              |            | 2009/0308920 A1 * | 12/2009 | Holt      | A45C 11/182  |
|               |         |                |              |            |                   |         |           | 235/379      |
|               |         |                |              |            | 2010/0003374 A1 * | 1/2010  | Hachmann  | A23G 3/50    |
|               |         |                |              |            |                   |         |           | 426/104      |
|               |         |                |              |            | 2011/0018197 A1 * | 1/2011  | Black     | A63F 7/041   |
|               |         |                |              |            |                   |         |           | 273/153 S    |
|               |         |                |              |            | 2011/0161187 A1 * | 6/2011  | Albrecht  | A45C 11/182  |
|               |         |                |              |            |                   |         |           | 705/17       |

\* cited by examiner

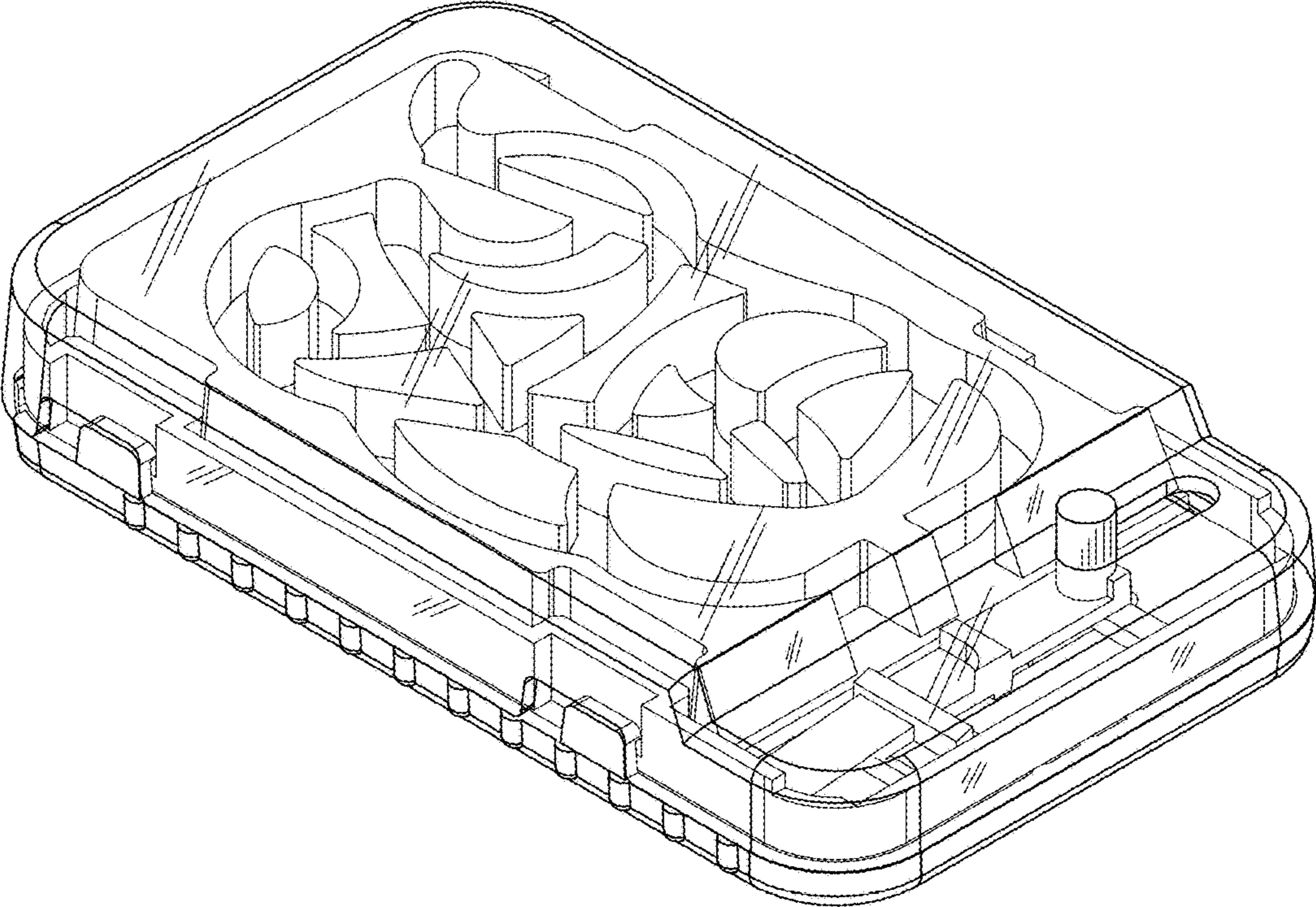


FIG 1

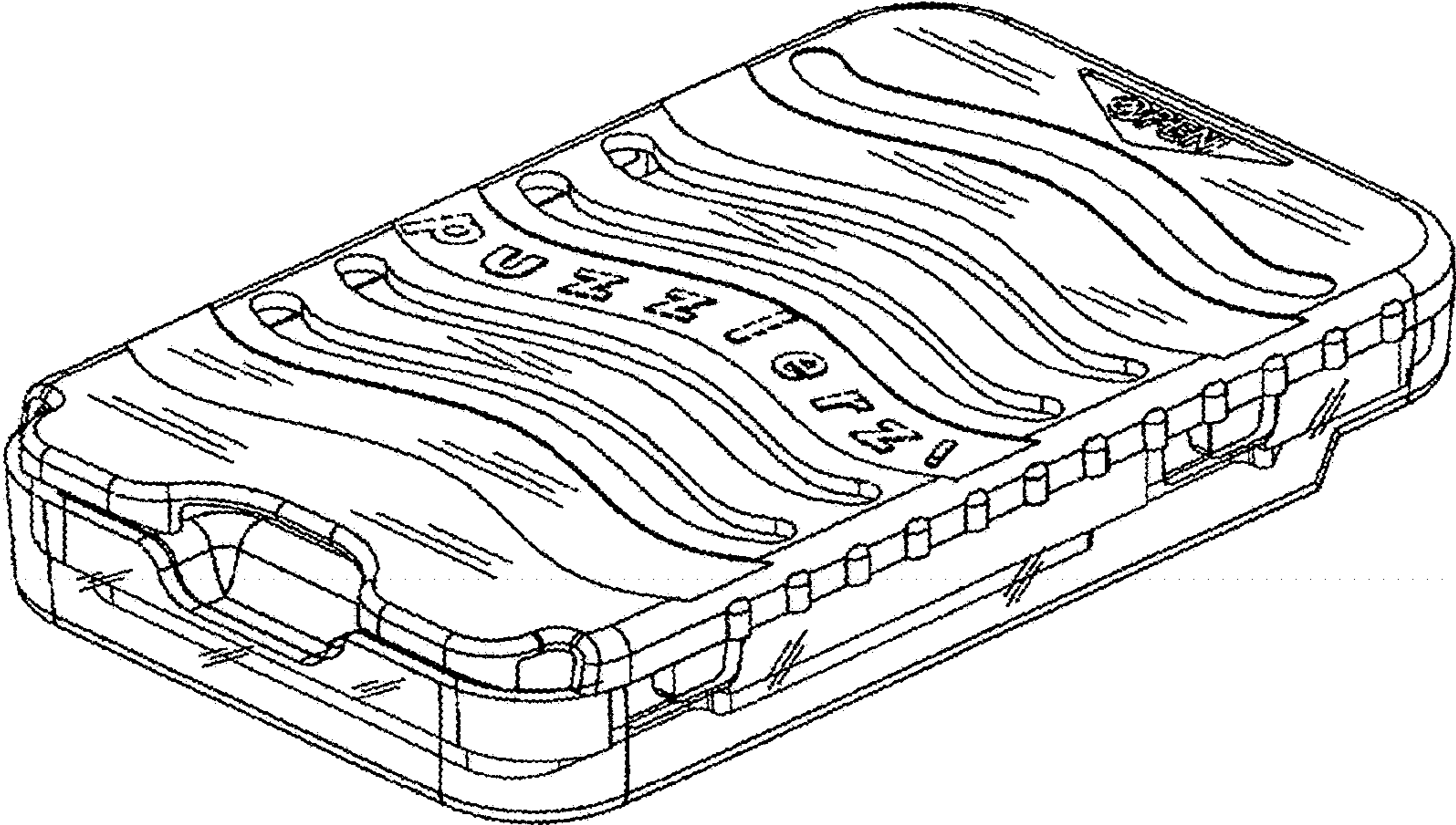


FIG 2

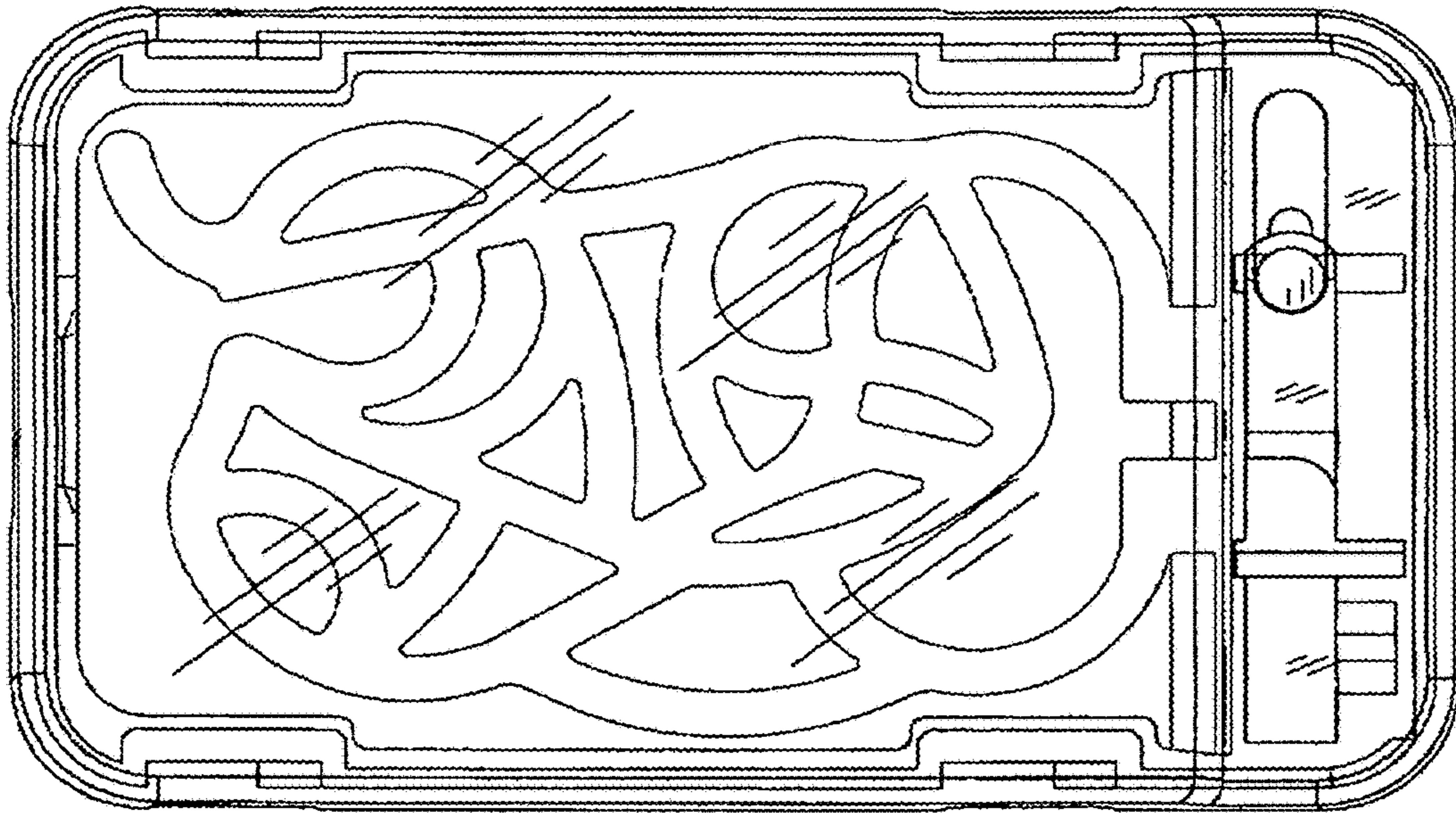


FIG 3

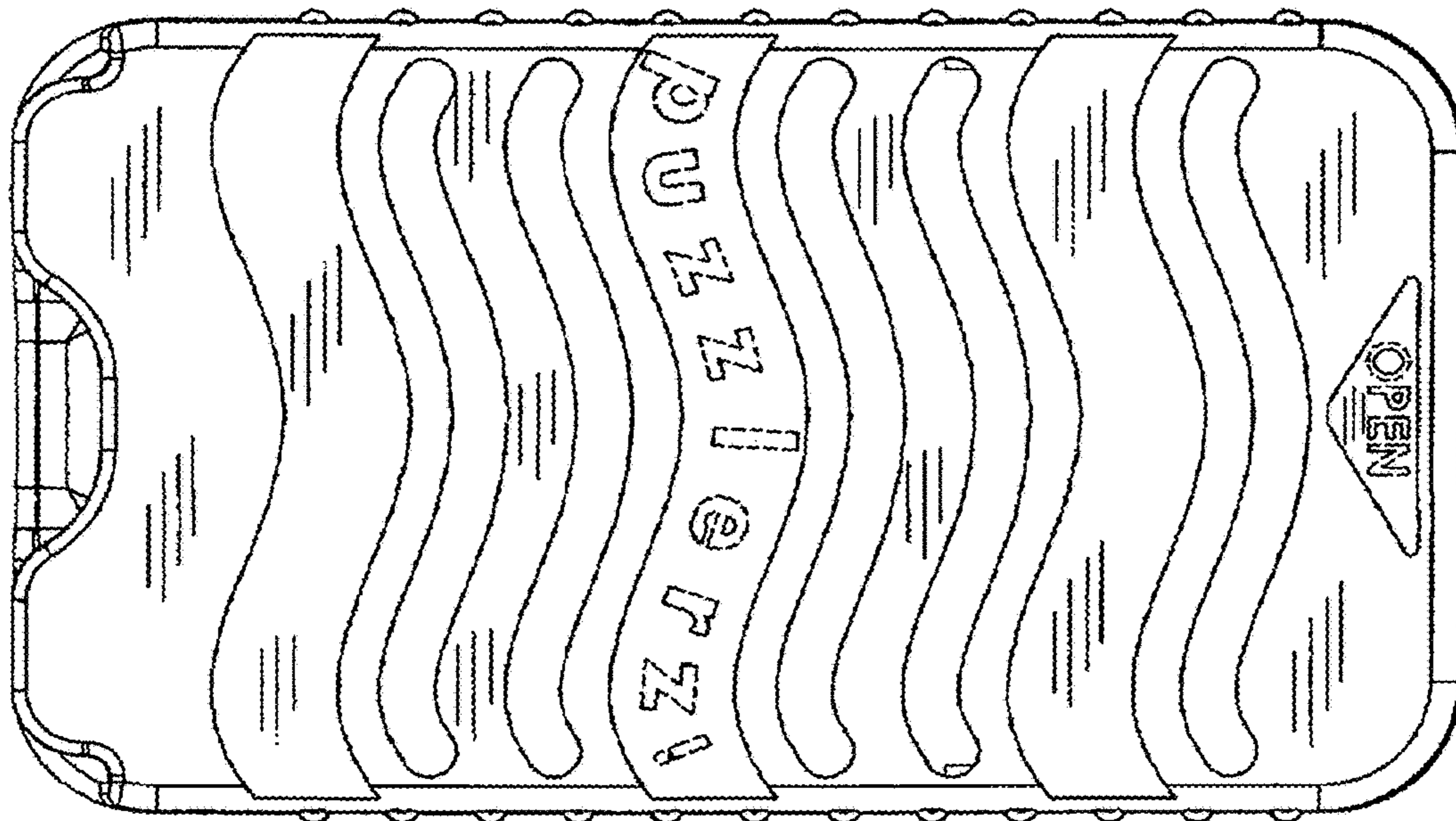


FIG 4

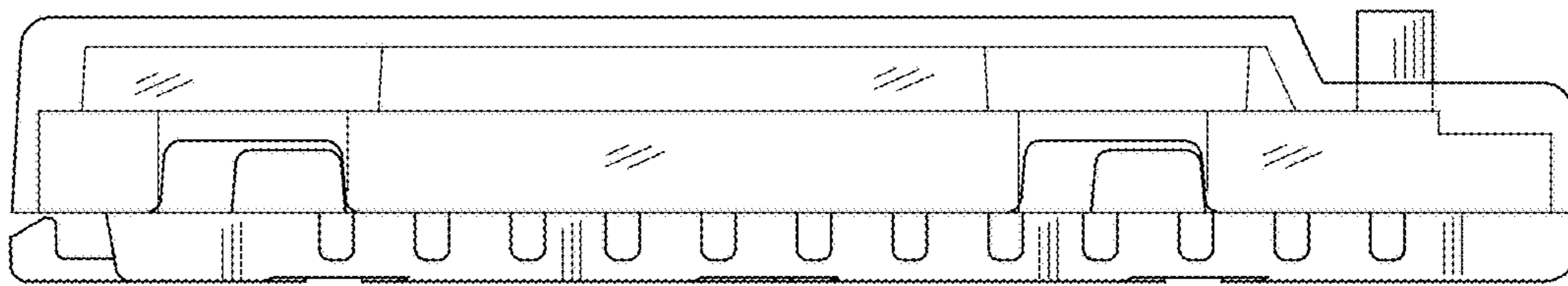


FIG 5

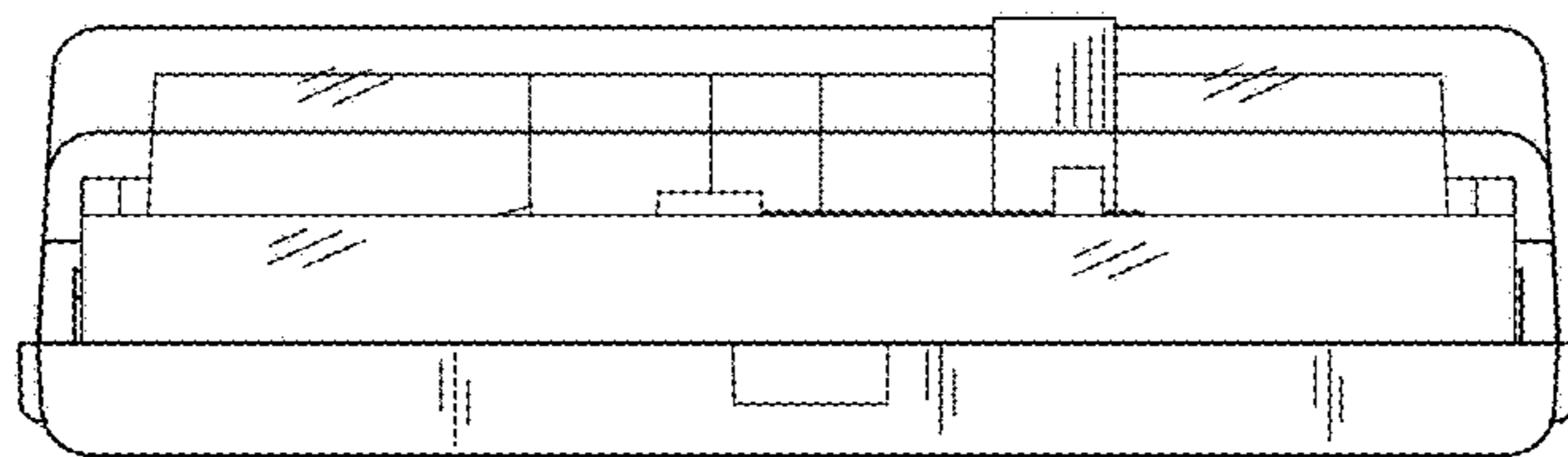


FIG 6

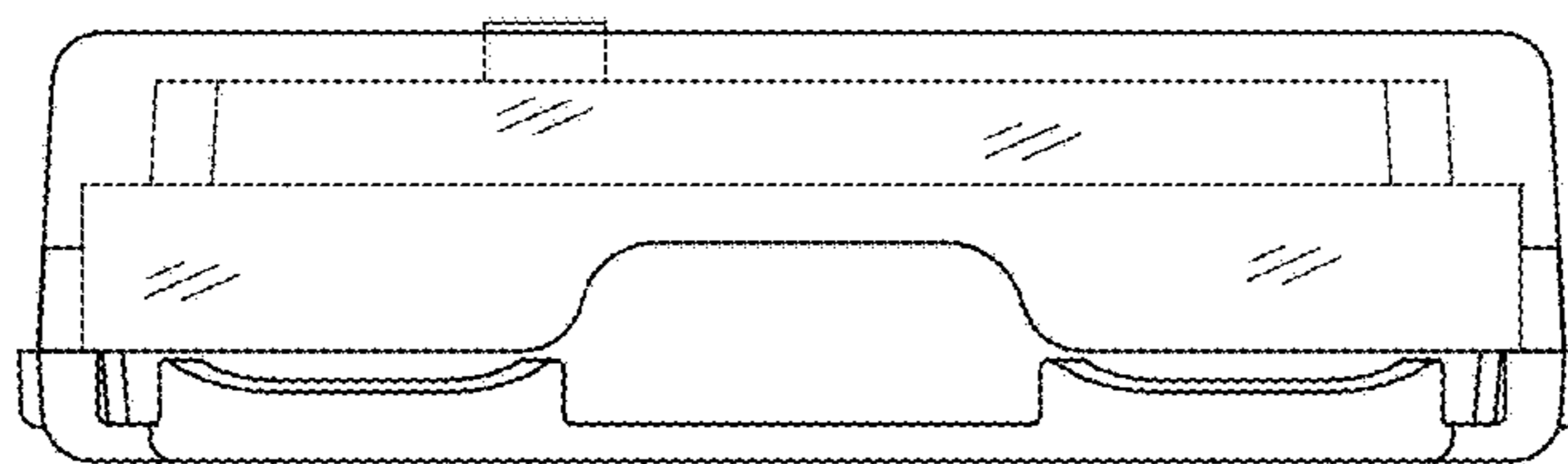


FIG 7