



US00D791878S

(12) **United States Design Patent** (10) **Patent No.:** **US D791,878 S**  
**Loew** (45) **Date of Patent:** **\*\* Jul. 11, 2017**

(54) **ILLUMINATED SIGN**  
(71) Applicant: **BOT HOME AUTOMATION, INC.**,  
Santa Monica, CA (US)  
(72) Inventor: **Christopher Loew**, Palto Alto, CA  
(US)  
(73) Assignee: **BOT Home Automation, Inc.**, Santa  
Monica, CA (US)

D436,135 S \* 1/2001 Emert ..... D20/10  
D440,153 S \* 4/2001 Lin ..... D9/746  
D440,512 S \* 4/2001 Mugleston ..... D10/109.1  
D447,332 S \* 9/2001 Pisarevsky ..... D3/207  
D459,265 S \* 6/2002 Taylor ..... D10/114.9  
D463,104 S \* 9/2002 Ames ..... D3/207  
D476,038 S \* 6/2003 Geyer ..... D20/10  
D476,691 S \* 7/2003 Geyer ..... D20/10  
D526,362 S \* 8/2006 Priegel ..... D20/41  
D574,989 S \* 8/2008 Rodzwell ..... D26/63  
D578,431 S \* 10/2008 Weyer ..... D11/221

(Continued)

(\*\*) Term: **15 Years**

Primary Examiner — Mary Ann Calabrese

Assistant Examiner — Sloan Rozin

(21) Appl. No.: **29/566,100**

(74) Attorney, Agent, or Firm — White and Williams LLP

(22) Filed: **May 26, 2016**

(51) **LOC (10) Cl.** ..... **20-02**

(57) **CLAIM**

(52) **U.S. Cl.**  
USPC ..... **D20/41**

The ornamental design for an illuminated sign, as shown and described.

(58) **Field of Classification Search**  
USPC ..... D3/10, 207, 219, 318; D20/10, 22, 27,  
D20/28, 41, 99; D10/109.1, 113.4  
CPC ..... G09F 1/00; G09F 1/02; G09F 2003/023;  
G09F 2003/0261; G09F 2003/0264; G09F  
7/00; G09F 3/206; G09F 2007/1807;  
G09F 13/00; G09F 13/04; G09F  
2013/0427; G09F 2013/0495; G09D 3/00  
See application file for complete search history.

**DESCRIPTION**

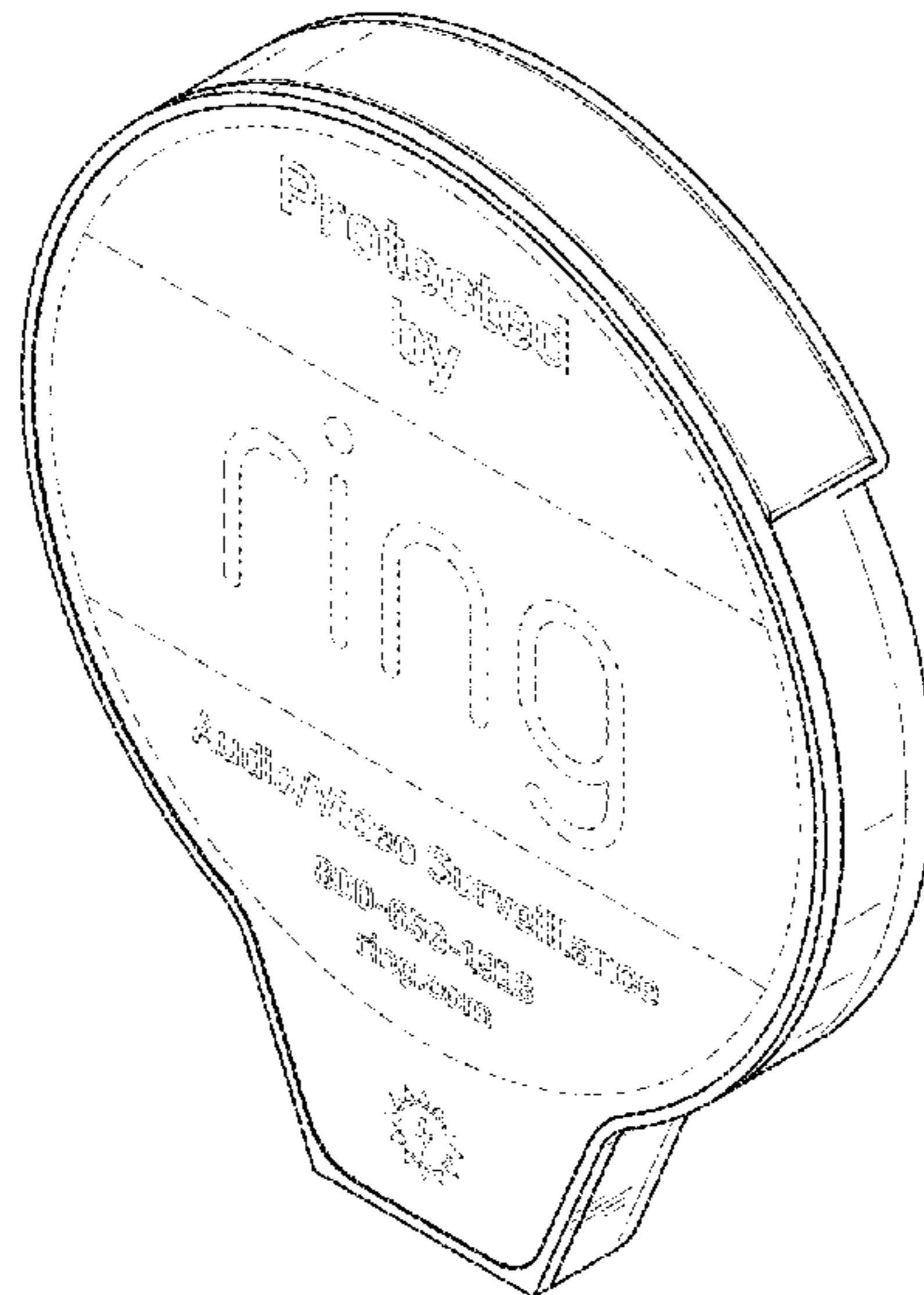
(56) **References Cited**

U.S. PATENT DOCUMENTS

D60,887 S \* 4/1922 Tuttle ..... D10/109.1  
D233,159 S \* 10/1974 White ..... D20/41  
D263,972 S \* 4/1982 Pasker ..... D20/10  
D354,084 S \* 1/1995 Leighton ..... D20/17  
D360,846 S \* 8/1995 Kallionpaa ..... D10/109.1  
D382,218 S \* 8/1997 Hall ..... D10/114.9  
D394,409 S \* 5/1998 Ferguson ..... D10/109.1  
D404,334 S \* 1/1999 Welsh ..... D11/26  
D406,396 S \* 3/1999 Granwehr ..... D28/76  
D433,071 S \* 10/2000 Barrett ..... D20/40

FIG. 1 is a front prospective view of the illuminated sign according to the present design;  
FIG. 2 is a front elevational view of the illuminated sign of FIG. 1;  
FIG. 3 is a rear elevational view of the illuminated sign of FIG. 1;  
FIG. 4 is a right-side elevational view of the illuminated sign of FIG. 1, the left-side elevational view being a mirror image thereof;  
FIG. 5 is a top plan view of the illuminated sign of FIG. 1;  
FIG. 6 is a bottom plan view of the illuminated sign of FIG. 1; and,  
FIG. 7 is a front perspective view of the illuminated sign of FIG. 1, showing the illuminated sign in a manner of use.  
The broken line showing of elements on the illuminated sign illustrate portions of the article and form no part of the claimed design.

**1 Claim, 6 Drawing Sheets**



(56)

**References Cited**

U.S. PATENT DOCUMENTS

D602,092 S *	10/2009	Tonnessen	.....	D20/42
D609,752 S *	2/2010	Miller	.....	D20/41
D616,198 S *	5/2010	Liu	.....	D3/263
D621,399 S *	8/2010	Ahlstrom	.....	D14/344
7,814,692 B2 *	10/2010	Wiltfang	.....	G09F 7/18 40/606.18
D660,370 S *	5/2012	Podd	.....	D20/42
D693,269 S *	11/2013	Bertken	.....	D11/221
D713,404 S *	9/2014	Green	.....	D14/344
2014/0165437 A1 *	6/2014	Barker	.....	G09F 7/00 40/607.01

\* cited by examiner

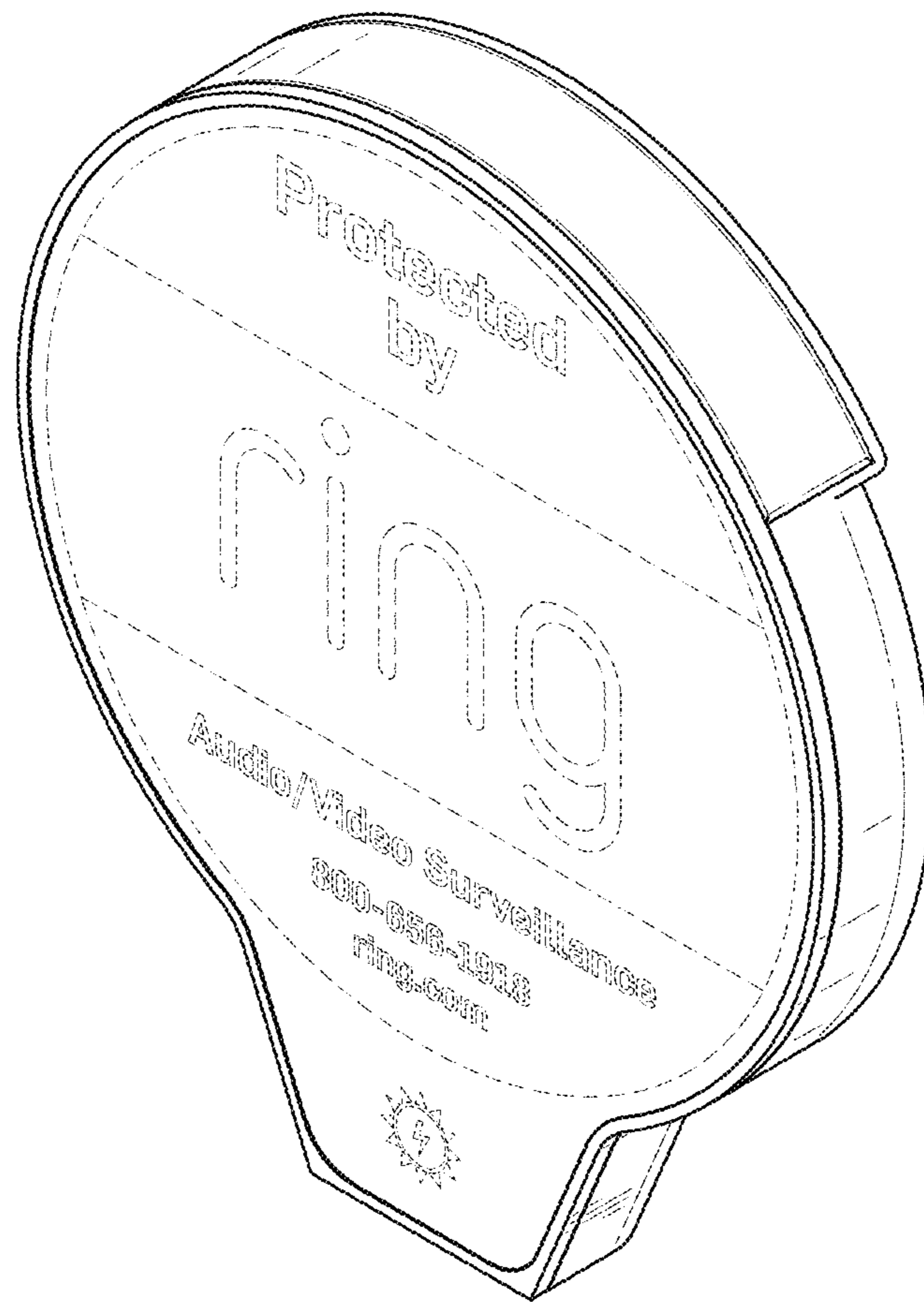


FIG. 1



FIG. 2

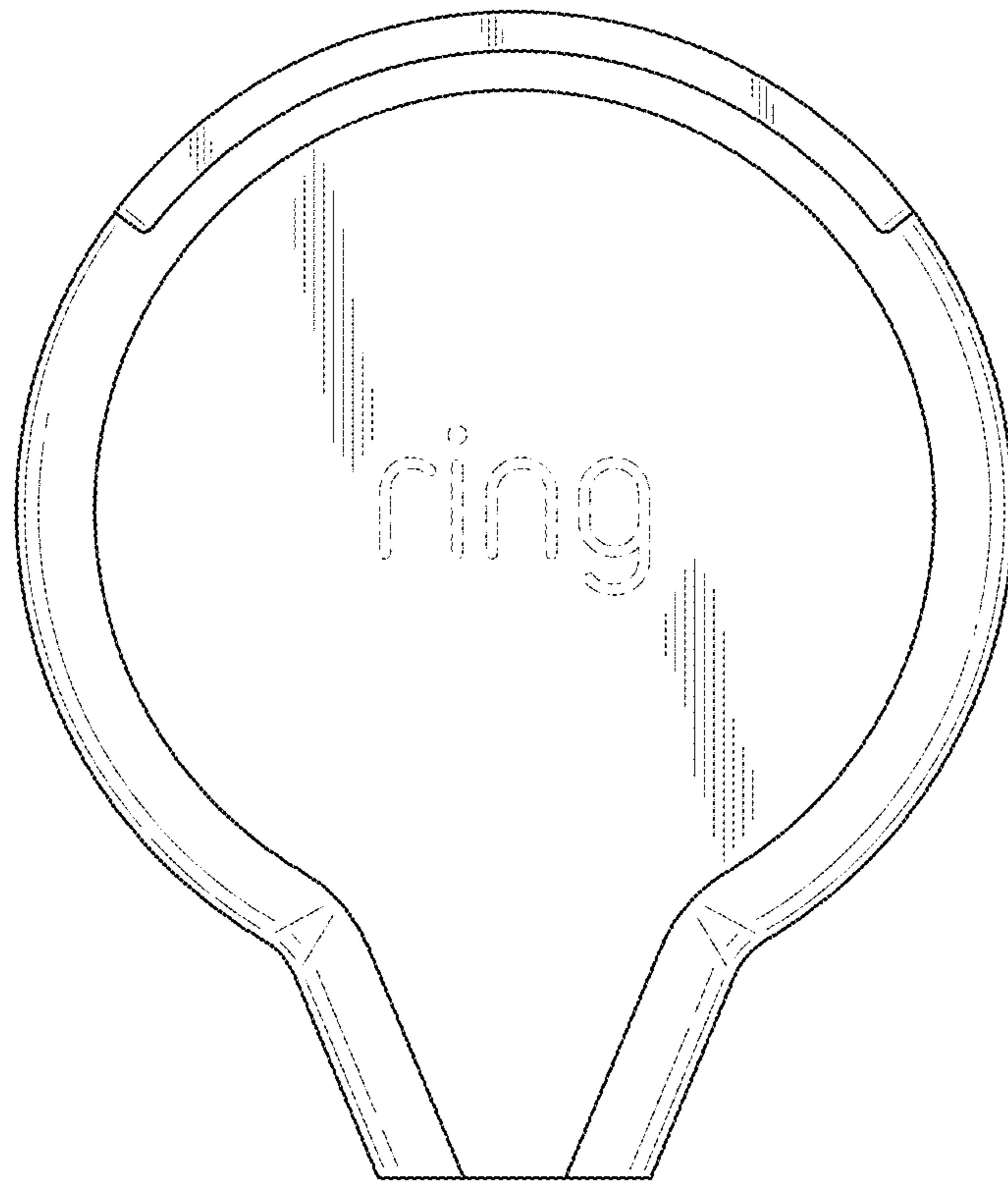


FIG. 3

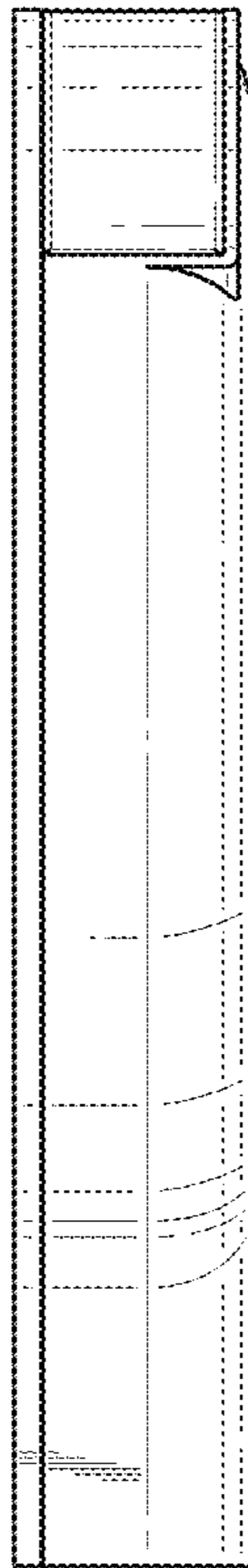


FIG. 4

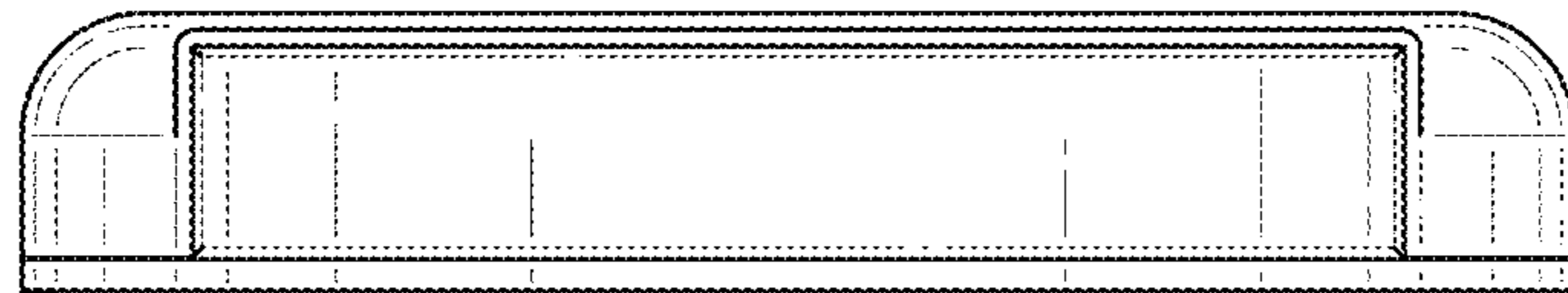


FIG. 5

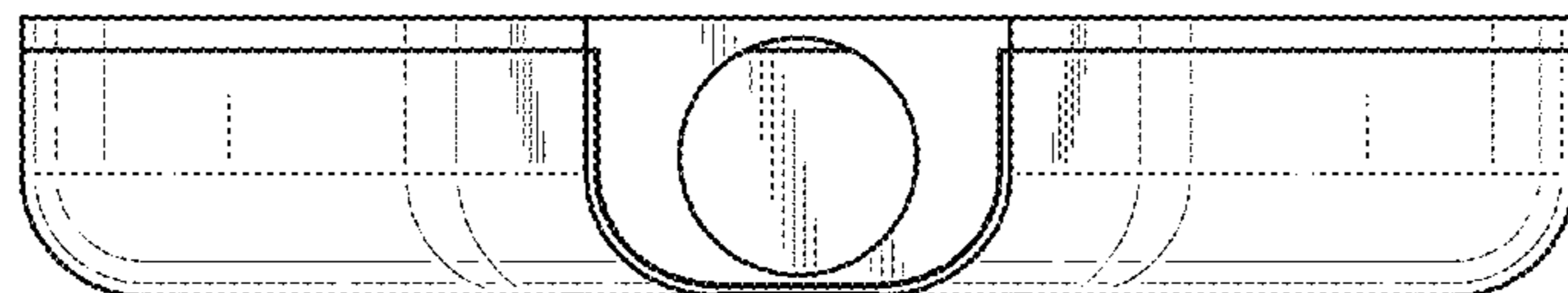


FIG. 6

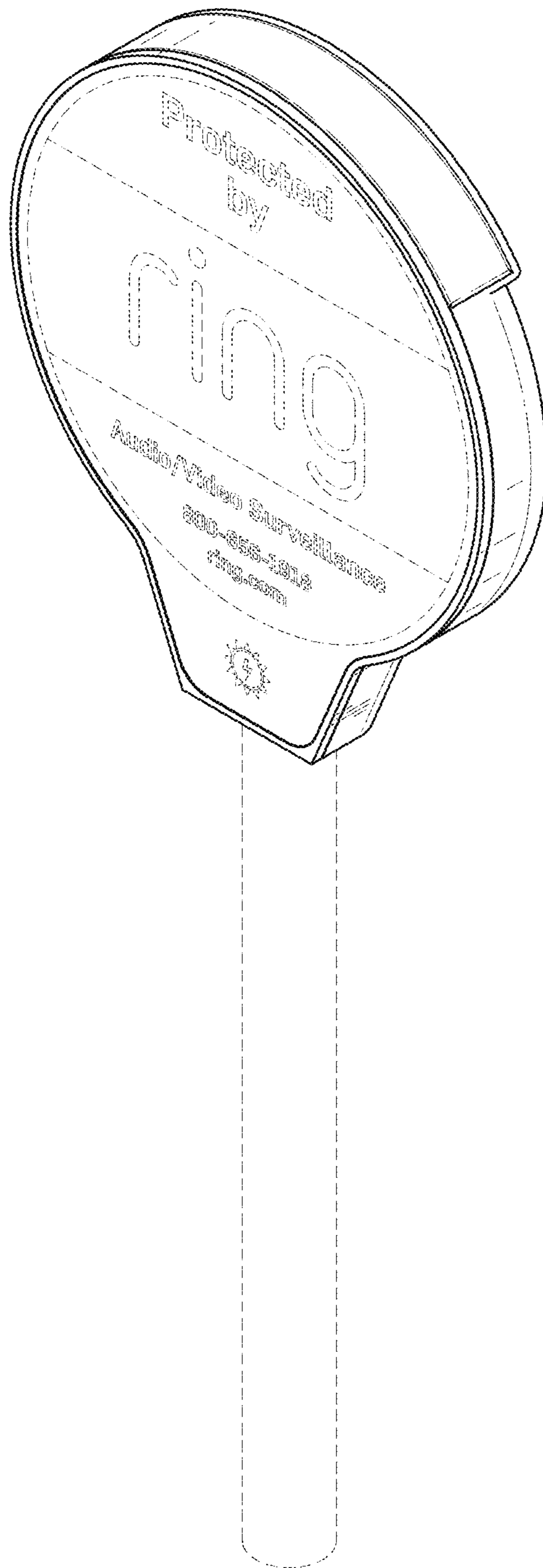


FIG. 7