

US00D791877S

(12) **United States Design Patent** (10) **Patent No.:** **US D791,877 S**
Williams (45) **Date of Patent:** **** Jul. 11, 2017**

(54) **CARDHOLDER STICK**
(71) Applicant: **Royer Corporation**, Madison, IN (US)
(72) Inventor: **Roger Williams**, Madison, IN (US)
(73) Assignee: **ROYER CORPORATION**, Madison, IN (US)
(**) Term: **15 Years**
(21) Appl. No.: **29/563,891**
(22) Filed: **May 9, 2016**

D515,142 S * 2/2006 Kaplan D20/30
D562,185 S * 2/2008 van Wingerden D11/117
D755,896 S * 5/2016 Williams D20/43

* cited by examiner

Primary Examiner — Mary Ann Calabrese
(74) *Attorney, Agent, or Firm* — Benesch, Friedlander, Coplan & Aronoff LLP

(57) **CLAIM**

The ornamental design for a cardholder stick, as shown and described.

DESCRIPTION

FIG. 1 is a front side perspective view of the subject cardholder stick, showing the design of a butterfly as the center portion;
FIG. 2 is a front side elevation view of the subject cardholder stick;
FIG. 3 is a rear side elevation view of the subject cardholder stick, opposite the front side thereof;
FIG. 4 is a first lateral side elevation view of the subject cardholder stick;
FIG. 5 is a second lateral side elevation view of the subject cardholder stick, opposite the second lateral side thereof;
FIG. 6 is a top plan view of the subject cardholder stick; and,
FIG. 7 is a bottom plan view of the subject cardholder stick, opposite the top plan view thereof.
The broken lines in the drawings are included for illustrating portions of the article that form no part of the claimed design.

Related U.S. Application Data

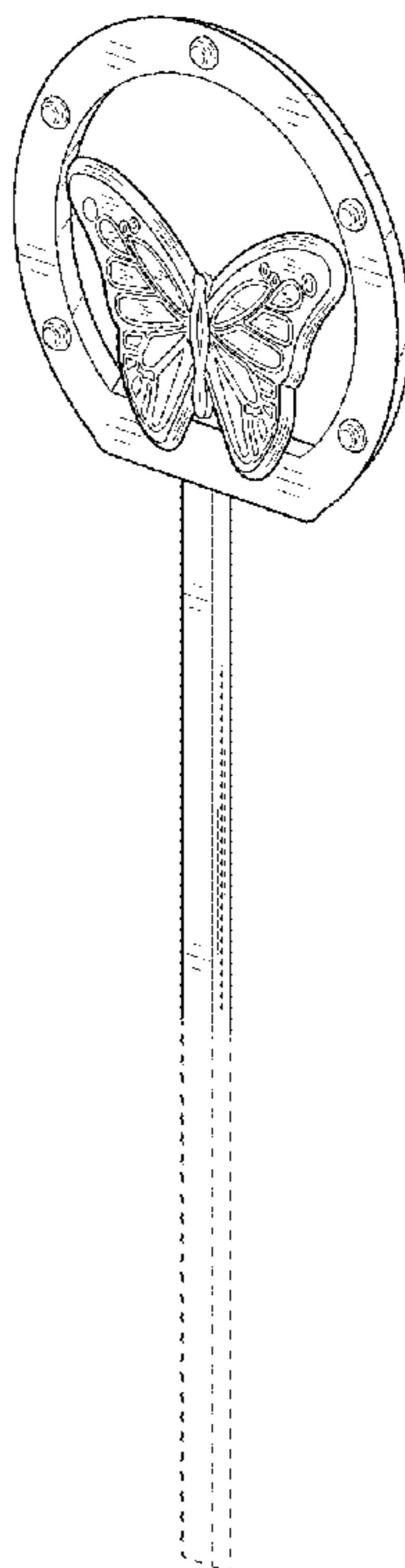
(62) Division of application No. 29/490,207, filed on May 7, 2014, now Pat. No. Des. 755,896.
(51) **LOC (10) Cl.** **20-03**
(52) **U.S. Cl.**
USPC **D20/30**; D20/41; D20/43
(58) **Field of Classification Search**
USPC D6/10, 19, 30, 41, 43, 44, 99, 313; D8/1
CPC G09F 1/10; G09F 3/08; G09F 3/16; G09F 3/18; G09F 3/204; A01G 17/04; A01G 17/08; B05B 15/062
See application file for complete search history.

References Cited

U.S. PATENT DOCUMENTS

D180,180 S * 4/1957 Erenhouse D11/57
3,057,093 A * 10/1962 Gallo G09F 1/10
40/645

1 Claim, 4 Drawing Sheets



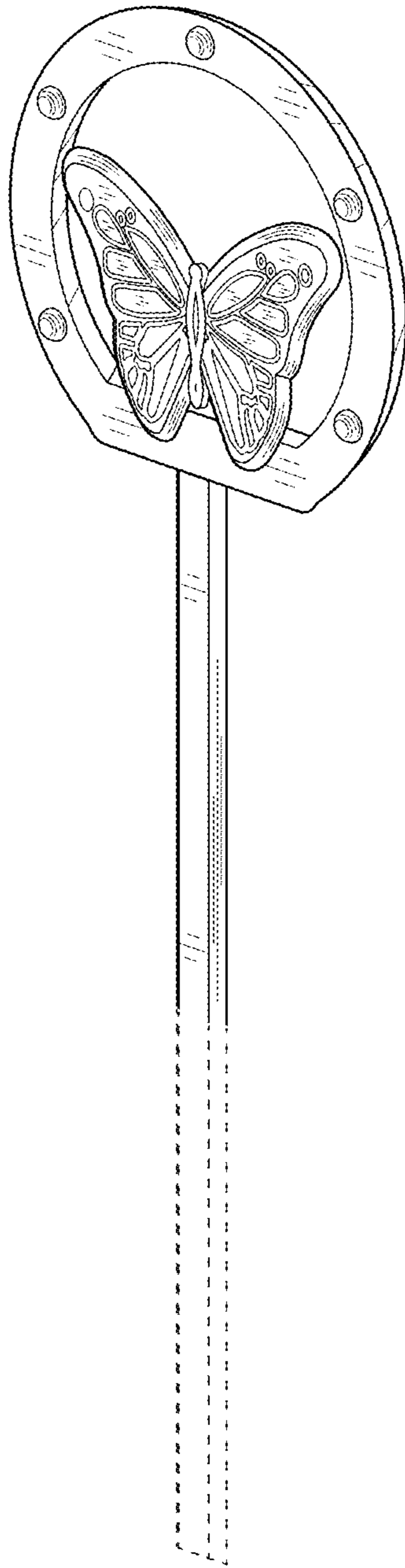


FIG. 1

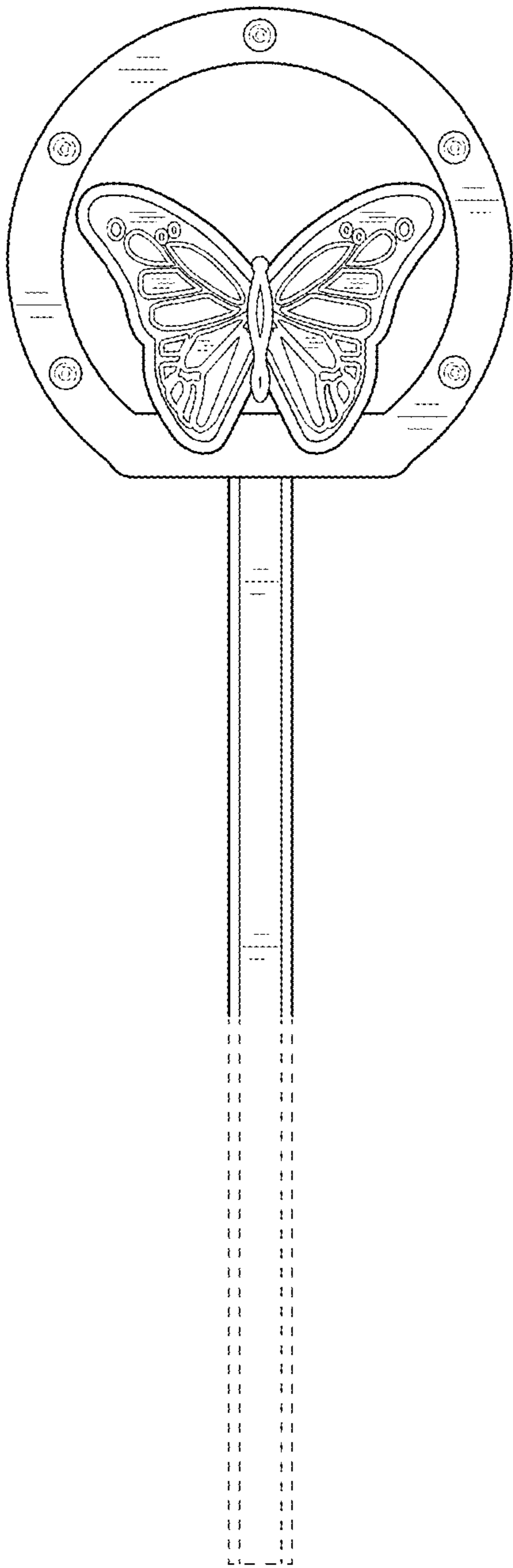


FIG. 2

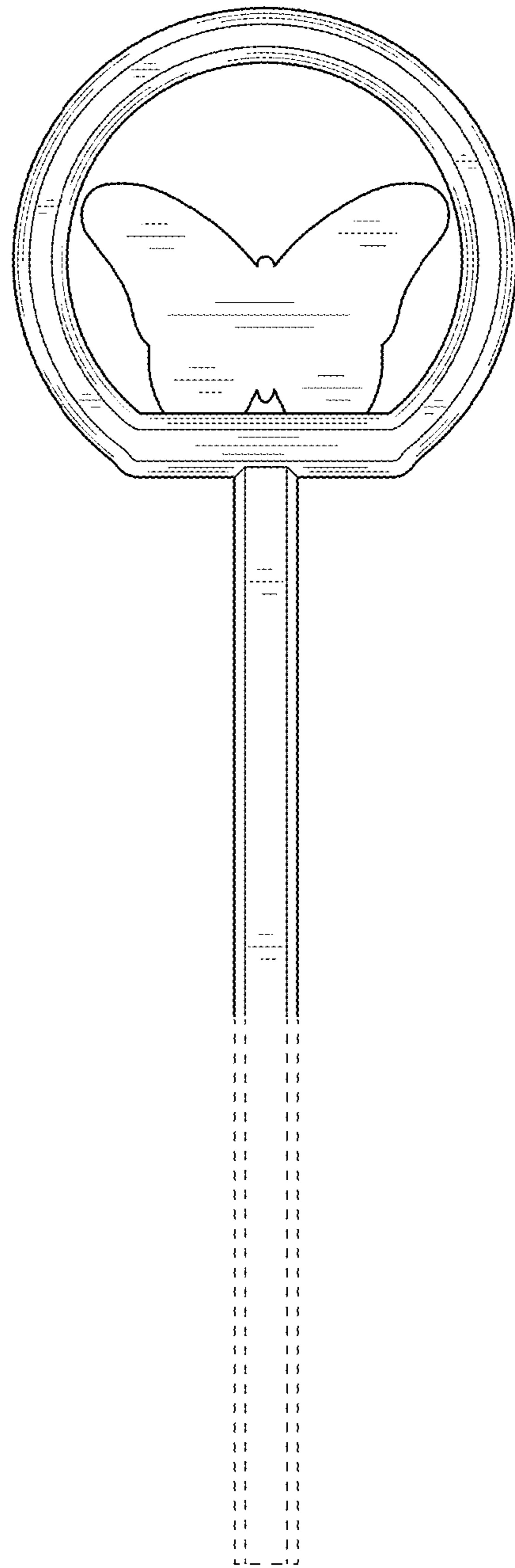


FIG. 3

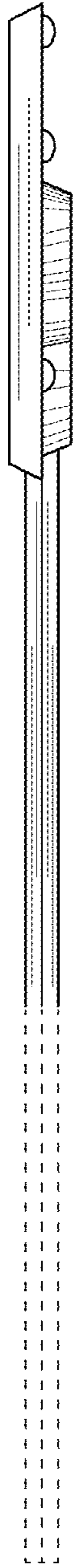


FIG. 4

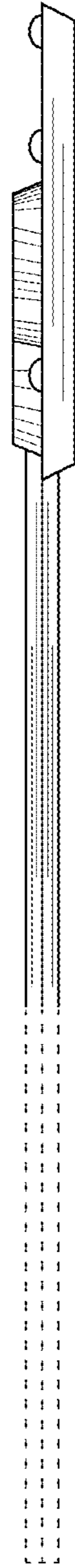


FIG. 5



FIG. 6

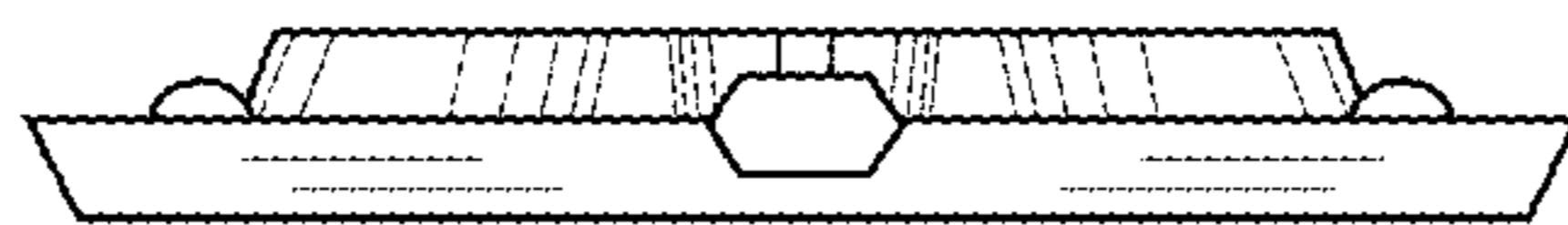


FIG. 7