



US00D791876S

(12) **United States Design Patent**  
**Nogueira Pires**

(10) **Patent No.:** **US D791,876 S**  
(45) **Date of Patent:** **\*\* Jul. 11, 2017**

(54) **SIGN**  
(71) Applicant: **Filipa Nogueira Pires**, Lisbon (PT)  
(72) Inventor: **Filipa Nogueira Pires**, Lisbon (PT)  
(\*\*) Term: **14 Years**

3,333,286 A \* 8/1967 Biolik ..... A47C 20/021  
5/632  
4,666,799 A \* 5/1987 Runquist ..... H01M 6/14  
429/101  
6,502,262 B1 \* 1/2003 Piscopo ..... A47C 20/02  
5/652  
2009/0229732 A1 \* 9/2009 Determan ..... B32B 7/12  
156/60

(21) Appl. No.: **29/506,109**

\* cited by examiner

(22) Filed: **Oct. 13, 2014**

*Primary Examiner* — Mary Ann Calabrese  
(74) *Attorney, Agent, or Firm* — Oblon, McClelland,  
Maier & Neustadt, L.L.P.

(30) **Foreign Application Priority Data**

May 16, 2014 (EM) ..... 001411797-0005  
May 16, 2014 (EM) ..... 001411797-0009  
May 16, 2014 (EM) ..... 001411797-0012  
May 16, 2014 (EM) ..... 001411797-0015

(57) **CLAIM**

The ornamental design for a sign, as shown and described.

(51) **LOC (10) Cl.** ..... **20-03**

(52) **U.S. Cl.**  
USPC ..... **D20/10**

(58) **Field of Classification Search**  
USPC ..... D20/10, 19, 39-42, 99; D10/109.1,  
D10/109.2, 113.4; D9/456, 457  
CPC ..... G09F 7/00; G09F 7/12; G09F 7/14; G09F  
7/16; G09F 2007/122; G09F 9/00; G09F  
9/33; G09F 13/00; G09F 13/04; G09F  
13/06; G09F 13/18; G09F 13/22; G09F  
13/24; G09F 13/26; G09F 2013/1895;  
G09F 15/00

See application file for complete search history.

**DESCRIPTION**

FIG. 1 is a right side elevational view of a first embodiment of a sign;  
FIG. 2 is a front elevational view thereof, the rear elevational view being a mirror image of the front elevational view shown;  
FIG. 3 is a front, top, and right side perspective view thereof;  
FIG. 4 is a top plan view thereof;  
FIG. 5 is a right side elevational view of a second embodiment of a sign;  
FIG. 6 is a front elevational view thereof, the rear elevational view being a mirror image of the front elevational view shown;  
FIG. 7 is a front, top, and right side perspective view thereof;  
and,  
FIG. 8 is a top plan view thereof.

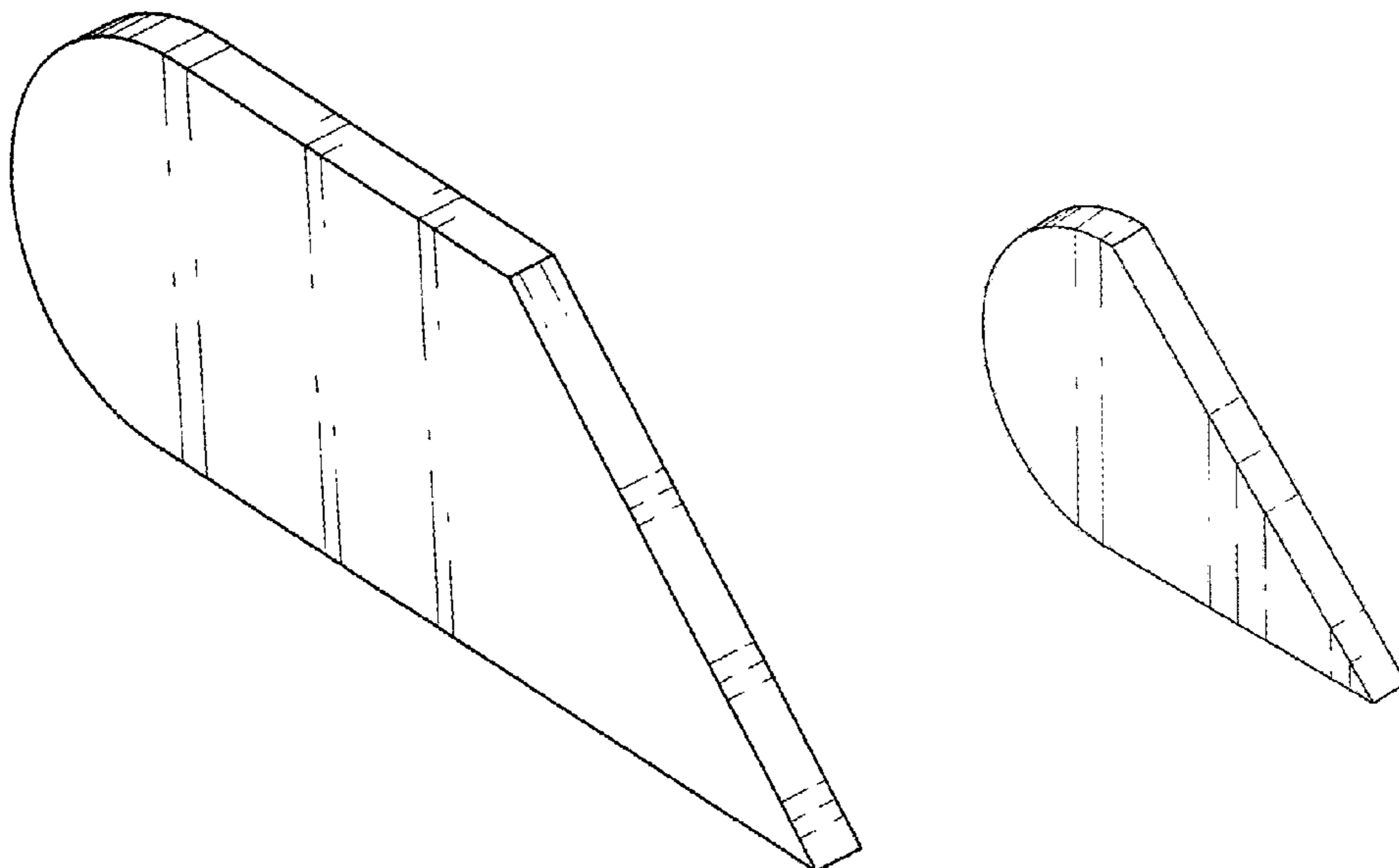
To the extent that the bottom view in the first and second embodiments of the sign is not seen in FIGS. 1-8, the bottom view of each of the first and second embodiments is disclaimed and thus does not limit the claimed design.

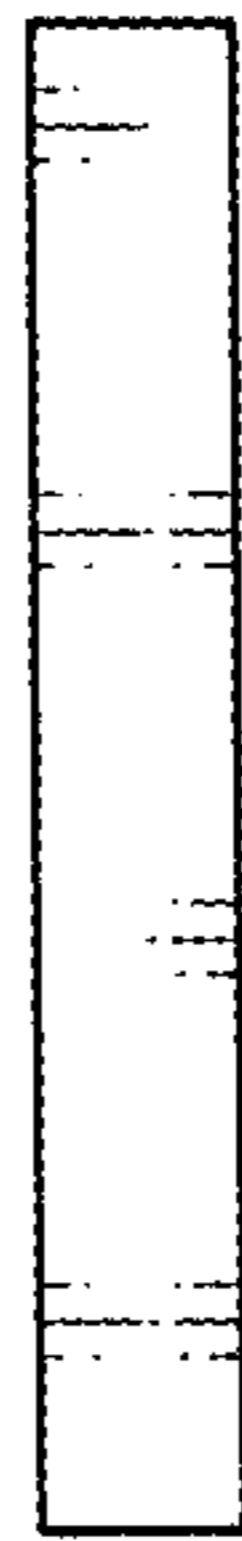
(56) **References Cited**

**U.S. PATENT DOCUMENTS**

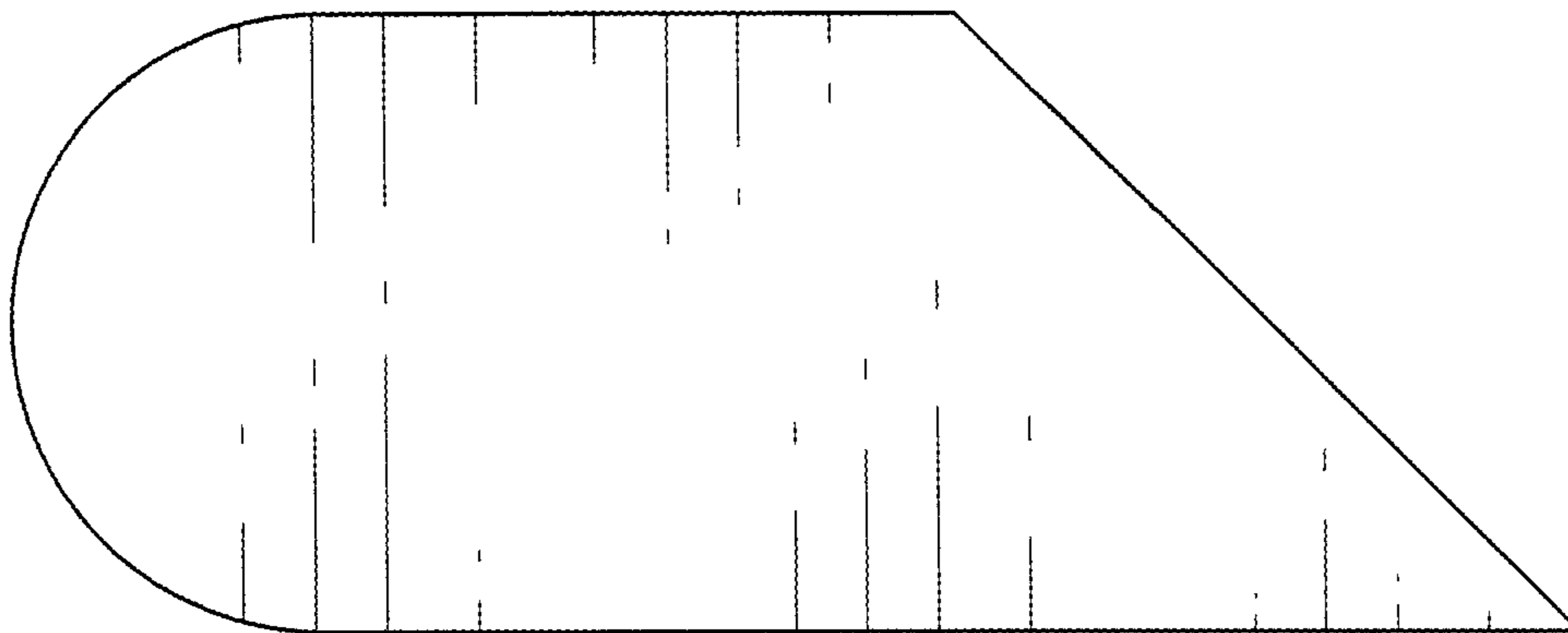
2,352,319 A \* 6/1944 Harris ..... A45C 11/34  
206/488  
2,595,112 A \* 4/1952 Story ..... A41B 3/06  
2/134

**1 Claim, 4 Drawing Sheets**

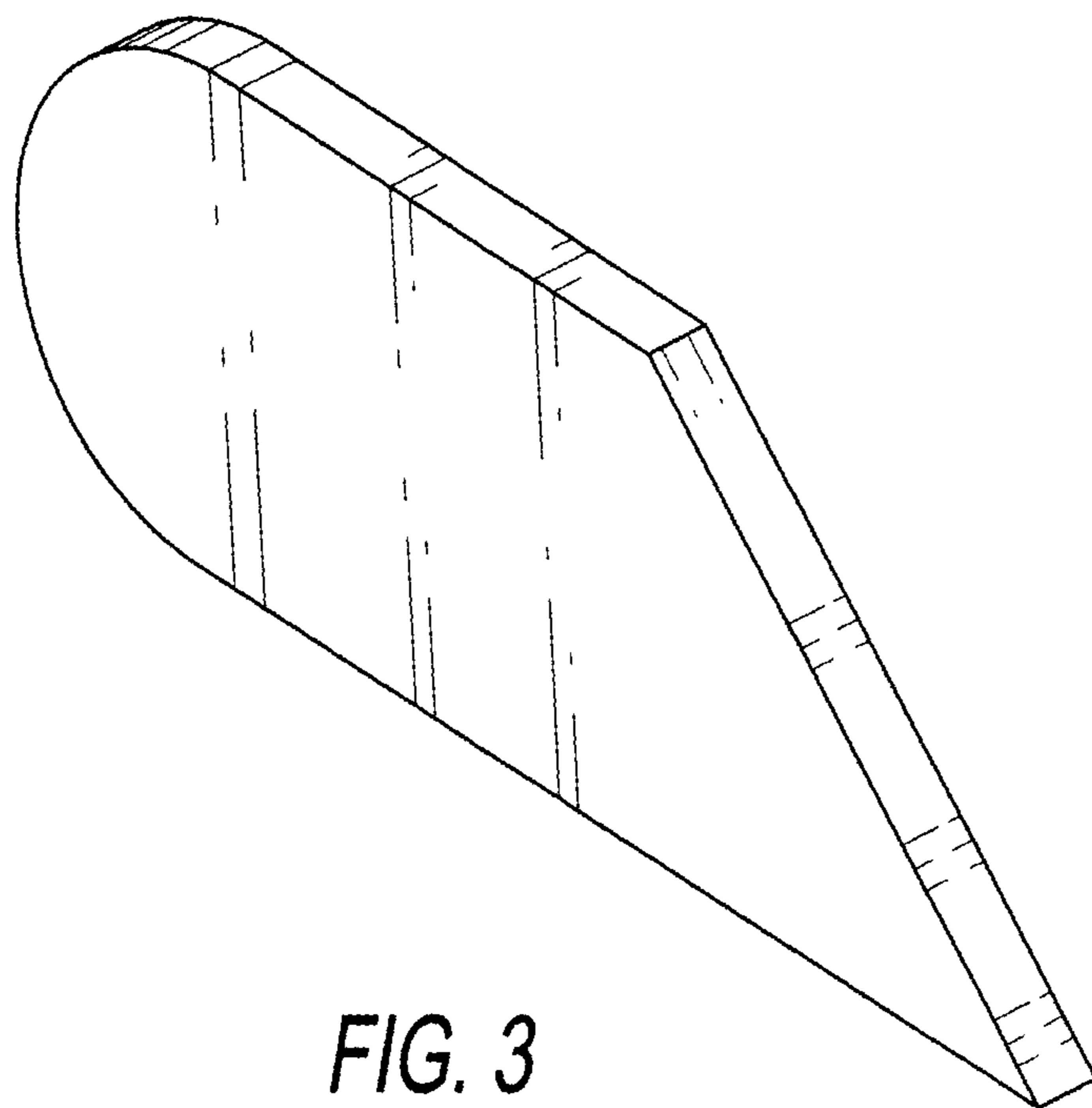




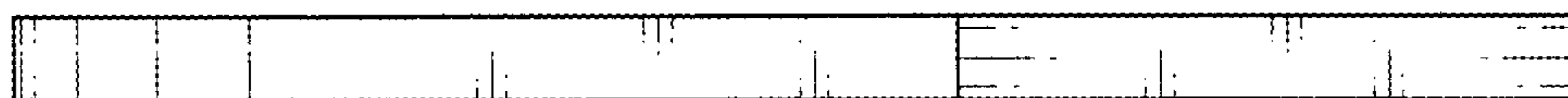
*FIG. 1*



*FIG. 2*



*FIG. 3*



*FIG. 4*

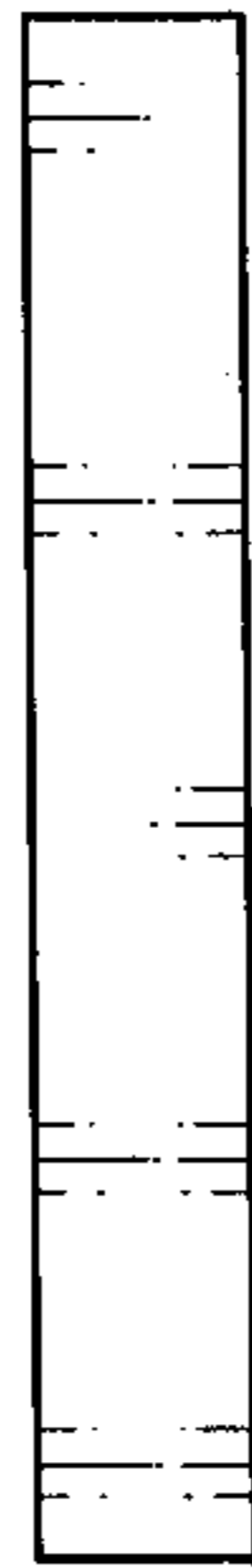


FIG. 5

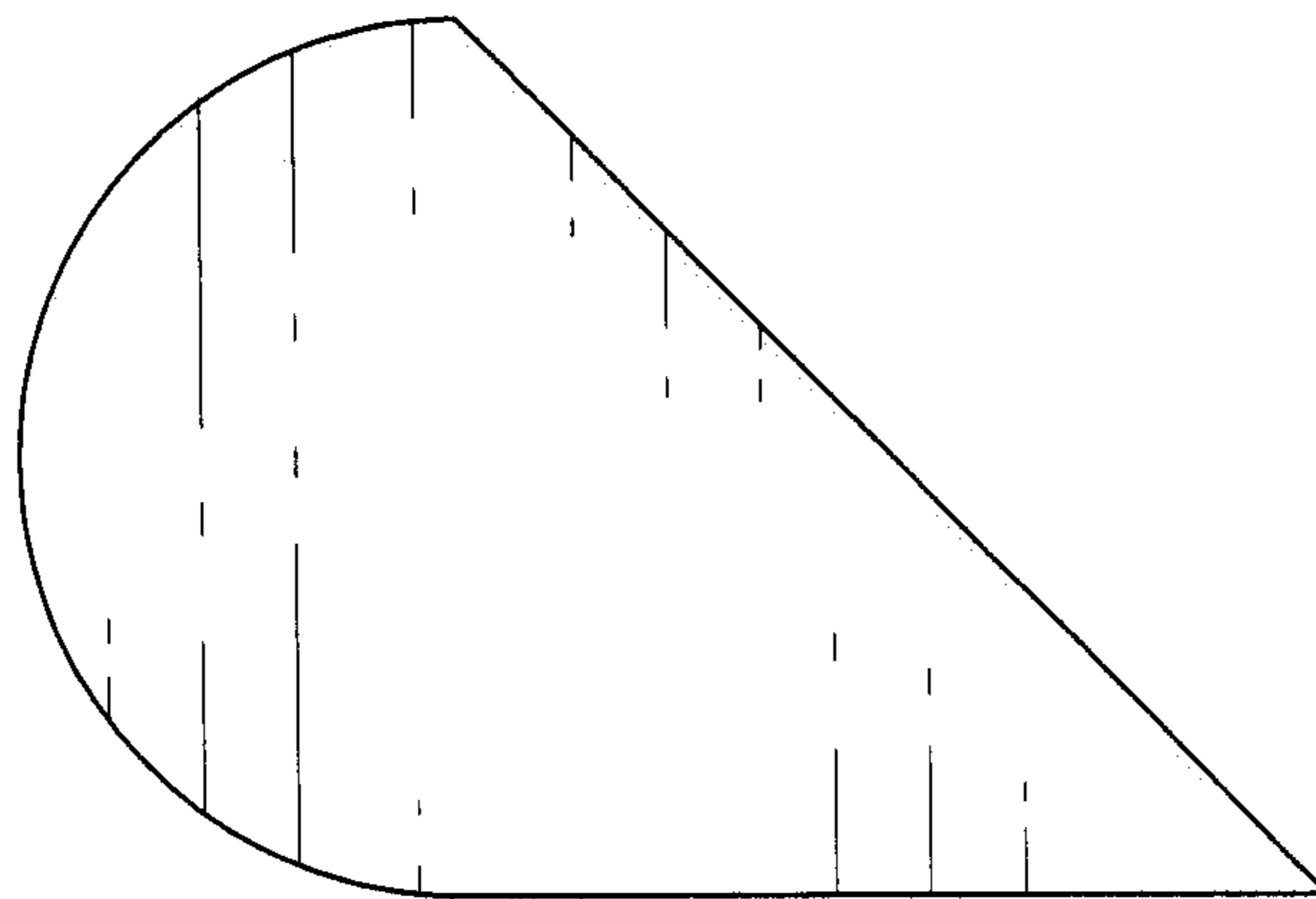


FIG. 6

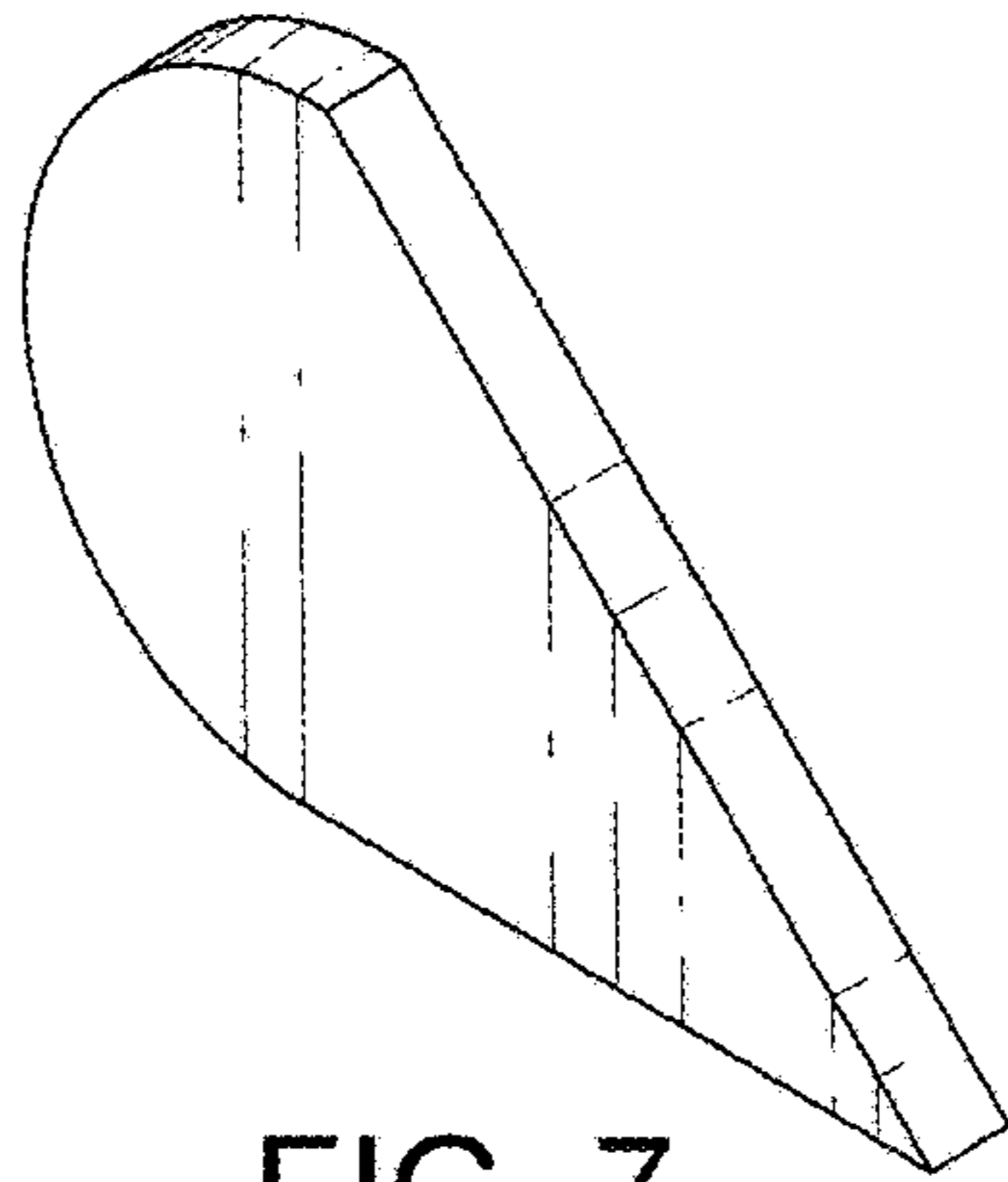


FIG. 7

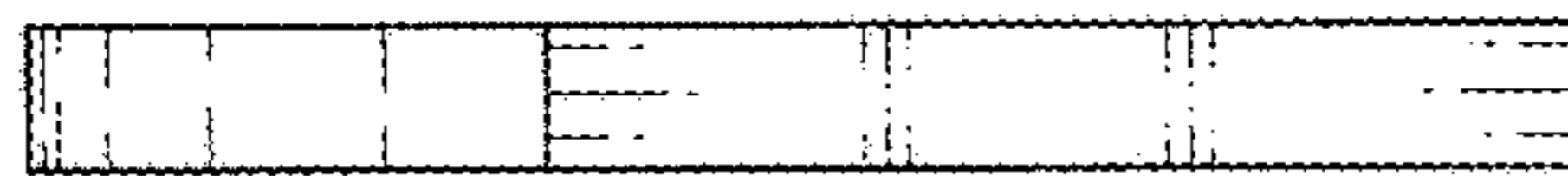


FIG. 8