



US00D791874S

(12) **United States Design Patent** (10) **Patent No.:** **US D791,874 S**
Kim (45) **Date of Patent:** **** Jul. 11, 2017**

(54) **BALLPOINT PEN**

(71) Applicant: **DONG-A PENCIL CO., LTD.**, Seoul (KR)

(72) Inventor: **Hakjae Kim**, Seoul (KR)

(73) Assignee: **DONG-A PENCIL CO., LTD.**, Seoul (KR)

(**) Term: **15 Years**

(21) Appl. No.: **29/546,274**

(22) Filed: **Nov. 20, 2015**

(51) **LOC (10) Cl.** **19-06**

(52) **U.S. Cl.**
USPC **D19/174; D19/916**

(58) **Field of Classification Search**
USPC D14/411; D19/115–204
CPC ... B43K 5/00; B43K 7/00; B43K 7/12; B43K 8/04; B43K 8/06; B43K 19/00; B43K 19/02; B43K 19/14; B43K 24/08
See application file for complete search history.

(56) **References Cited**

U.S. PATENT DOCUMENTS

| | | | | | |
|------------|---|---------|----------|-------|---------|
| D338,915 S | * | 8/1993 | Willat | | 401/6 |
| D378,601 S | * | 3/1997 | Sakuno | | 401/6 |
| D400,581 S | * | 11/1998 | Hasegawa | | D19/174 |
| D400,922 S | * | 11/1998 | Sakuno | | D19/174 |
| D401,624 S | * | 11/1998 | Sakuno | | D19/174 |
| D407,114 S | * | 3/1999 | Sakuno | | D19/174 |

| | | | | | |
|------------|---|---------|-----------|-------|---------|
| D441,017 S | * | 4/2001 | Gault | | D19/174 |
| D463,821 S | * | 10/2002 | Nishida | | D19/174 |
| D464,083 S | * | 10/2002 | Yoon | | D19/171 |
| D475,741 S | * | 6/2003 | Cetera | | D19/174 |
| D478,627 S | * | 8/2003 | Moon | | D19/174 |
| D480,756 S | * | 10/2003 | Hwang | | D19/174 |
| D506,780 S | * | 6/2005 | Nakazawa | | D19/172 |
| D508,717 S | * | 8/2005 | Anand | | D19/174 |
| D523,476 S | * | 6/2006 | Nakazawa | | D19/174 |
| D567,859 S | * | 4/2008 | Cetera | | D19/199 |
| D583,864 S | * | 12/2008 | Liu | | D19/174 |
| D611,535 S | * | 3/2010 | Shimizu | | D19/174 |
| D626,995 S | * | 11/2010 | Ikeda | | D19/174 |
| D642,619 S | * | 8/2011 | Kermoal | | D19/174 |
| D768,777 S | * | 10/2016 | Matsumura | | D19/174 |

* cited by examiner

Primary Examiner — Elizabeth Albert

(74) *Attorney, Agent, or Firm* — Rabin & Berdo, P.C.

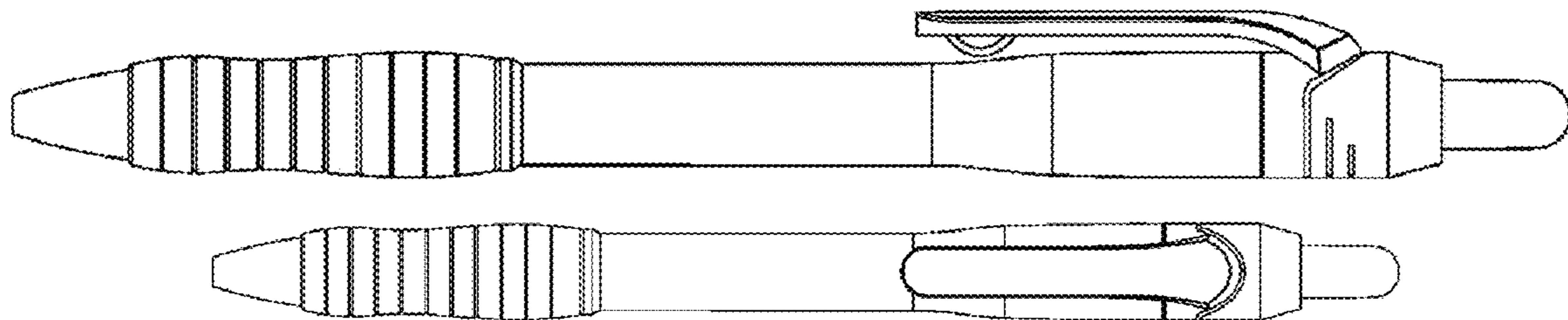
(57) **CLAIM**

The ornamental design for a ballpoint pen, as shown and described.

DESCRIPTION

FIG. 1 is a perspective view of a ballpoint pen;
FIG. 2 is a front view thereof;
FIG. 3 is a rear view thereof;
FIG. 4 is a left side view thereof;
FIG. 5 is a right side view thereof;
FIG. 6 is top plan view thereof; and,
FIG. 7 is a bottom plan view thereof.

1 Claim, 4 Drawing Sheets



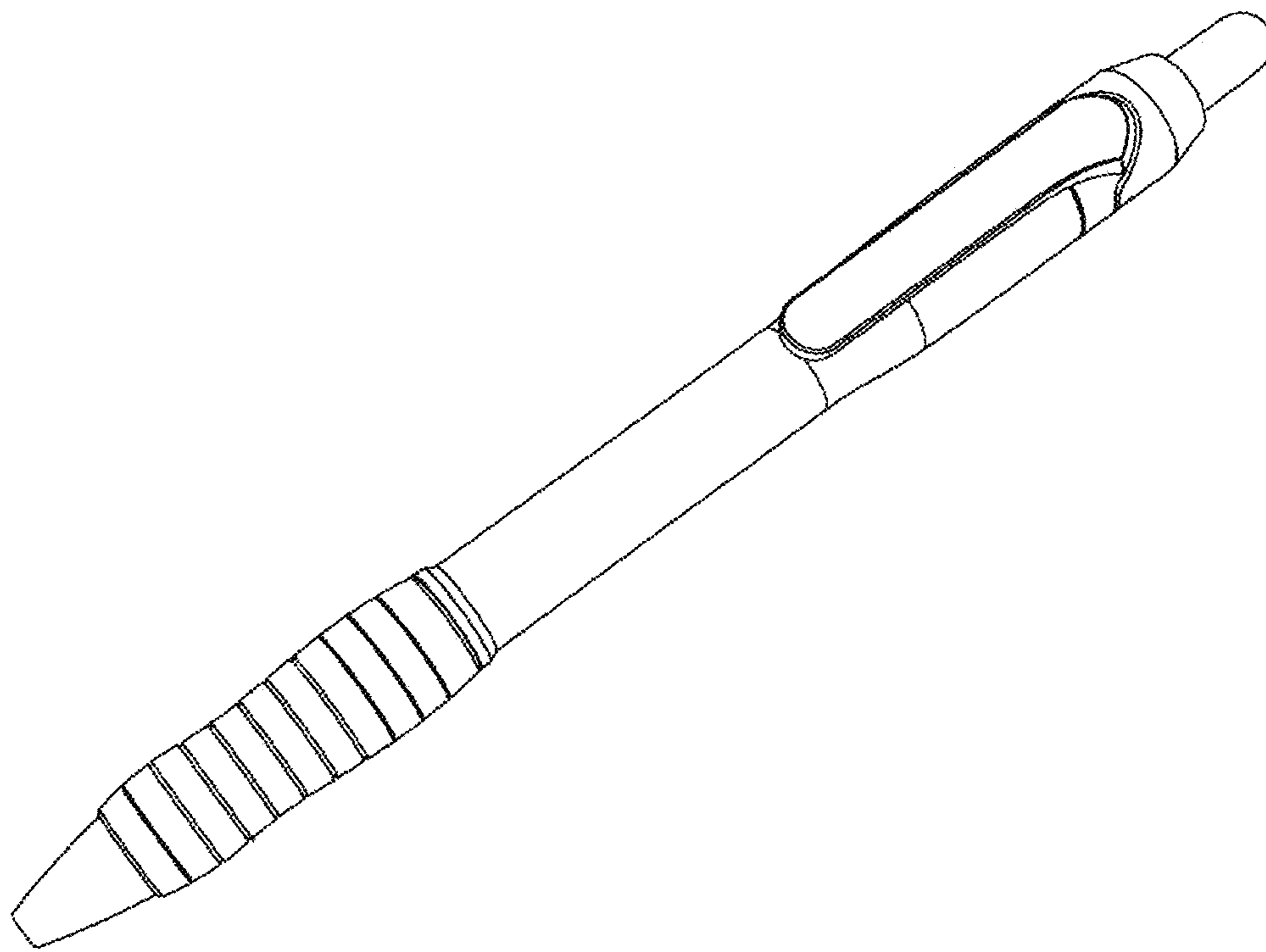


FIG. 1

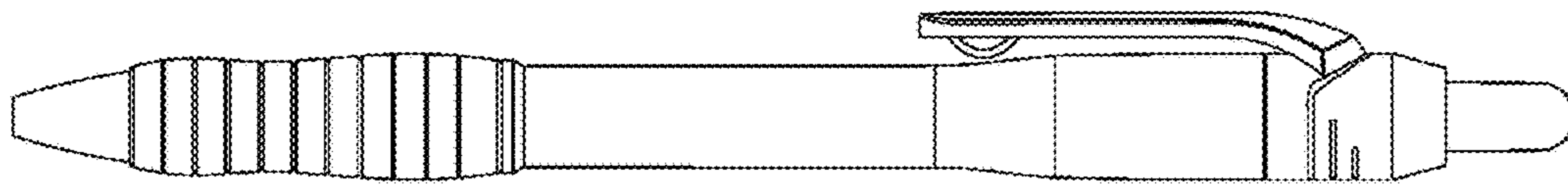


FIG. 2



FIG. 3

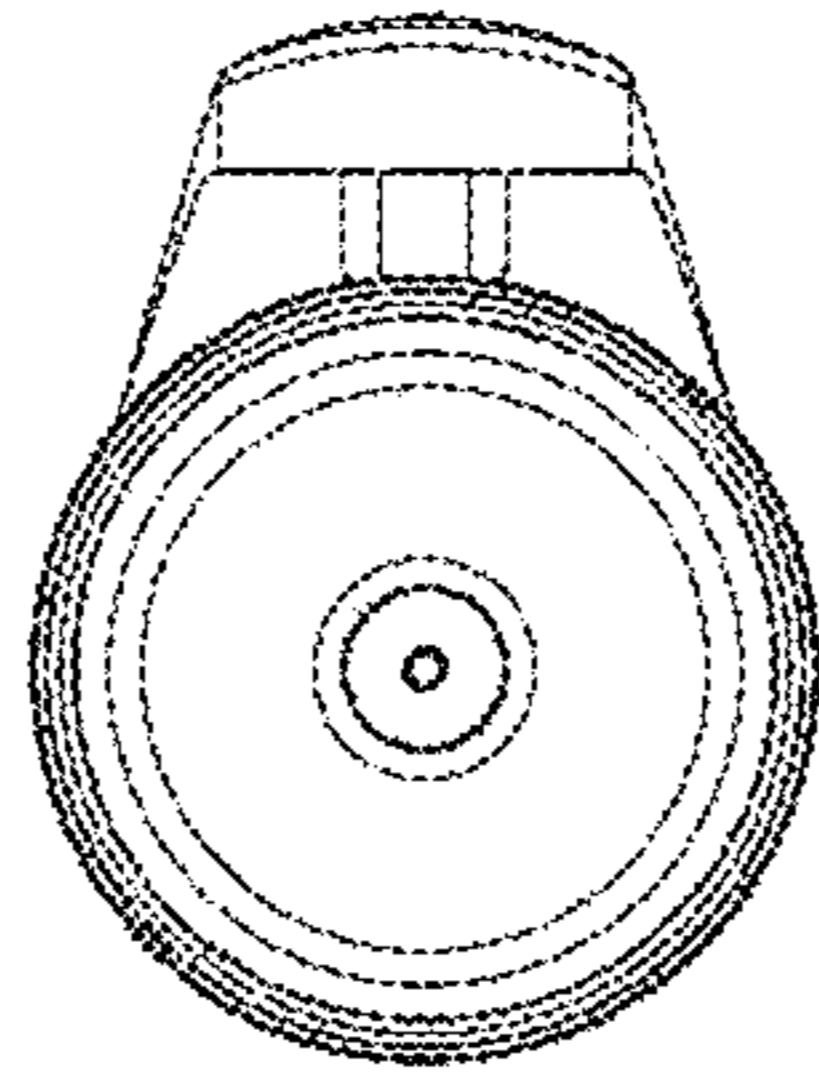


FIG. 4

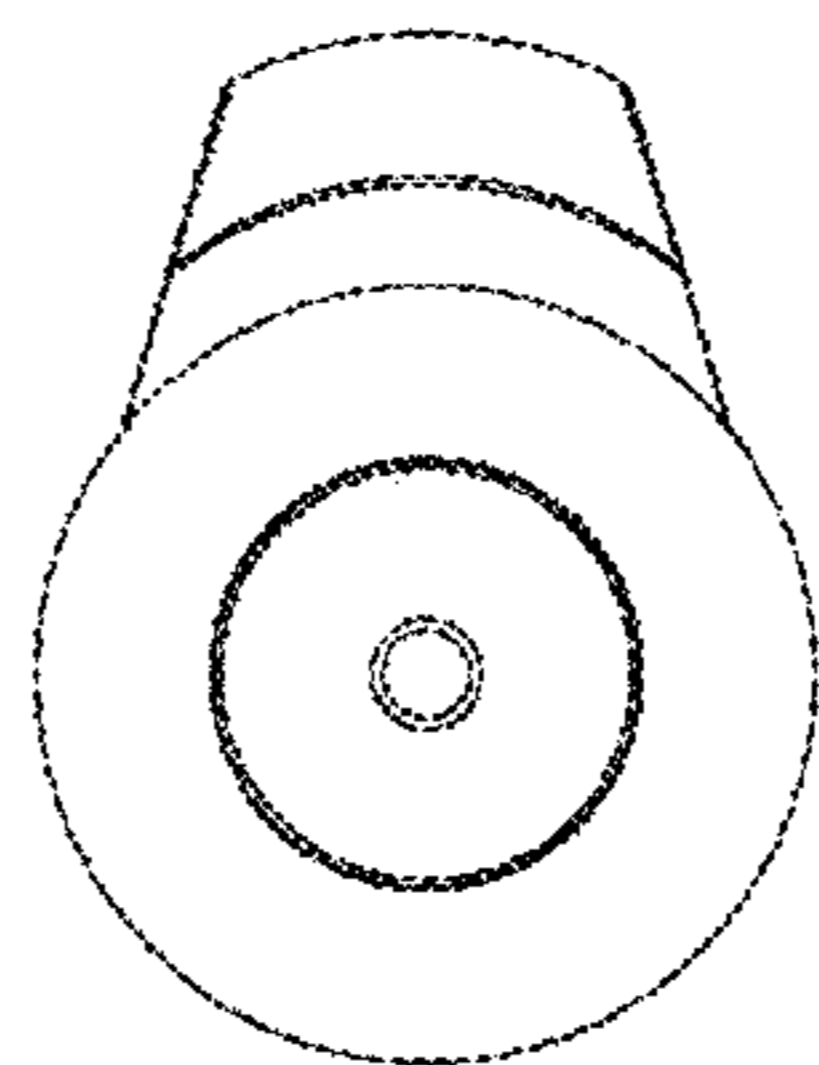


FIG. 5

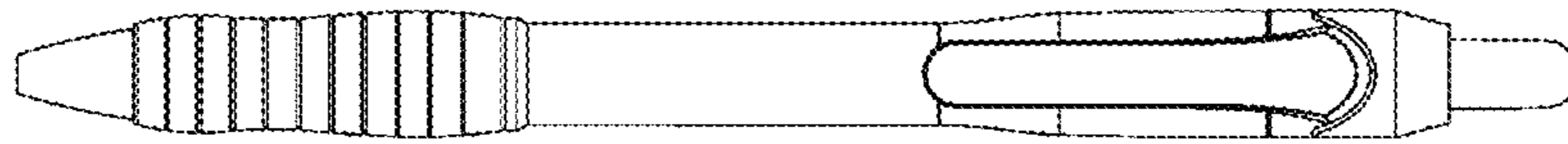


FIG. 6



FIG. 7