



US00D791871S

(12) **United States Design Patent**
Okawa

(10) **Patent No.:** **US D791,871 S**
(45) **Date of Patent:** **** Jul. 11, 2017**

(54) **BOOKSHELF**

- (71) Applicant: **Machi Okawa**, Tokyo (JP)
- (72) Inventor: **Machi Okawa**, Tokyo (JP)
- (73) Assignee: **Machi Okawa**, Tokyo (JP)
- (**) Term: **15 Years**
- (21) Appl. No.: **29/559,655**

- (22) Filed: **Mar. 30, 2016**
- (51) **LOC (10) Cl.** **19-02**
- (52) **U.S. Cl.**
USPC **D19/90; D6/675**
- (58) **Field of Classification Search**
USPC D6/552, 553, 562, 675, 680, 682, 675.3,
D6/672; D25/61, 67, 68, 48.3;
D19/34.1, 90
CPC A47G 1/16; A47B 65/20; A47B 65/15;
A47B 65/10; A47B 65/00; A47B 17/036;
A47B 57/045
See application file for complete search history.

(56) **References Cited**

U.S. PATENT DOCUMENTS

3,512,857 A *	5/1970	Butera	A47B 17/006
				312/107
D282,989 S *	3/1986	Nelson	D6/553
D375,038 S *	10/1996	Trevorrow	D8/354
D409,868 S *	5/1999	France	D6/562
D444,017 S *	6/2001	Walker	D6/562
D502,741 S *	3/2005	Bain	D19/86
D653,068 S *	1/2012	Klein	D6/562
D667,289 S *	9/2012	Preda	D8/354
D674,215 S *	1/2013	McDonough	D6/683.1
D703,470 S *	4/2014	McDonough	D6/676.3
D723,294 S *	3/2015	O'Hara	A47B 96/022
				D6/513
D750,603 S *	3/2016	Venghaus	D14/238

FOREIGN PATENT DOCUMENTS

JP 2015-008627 1/2015

* cited by examiner

Primary Examiner — Caron D Veynar

Assistant Examiner — Melvin Davis

(74) *Attorney, Agent, or Firm* — WPAT, P.C., Intellectual Property Attorneys; Anthony King

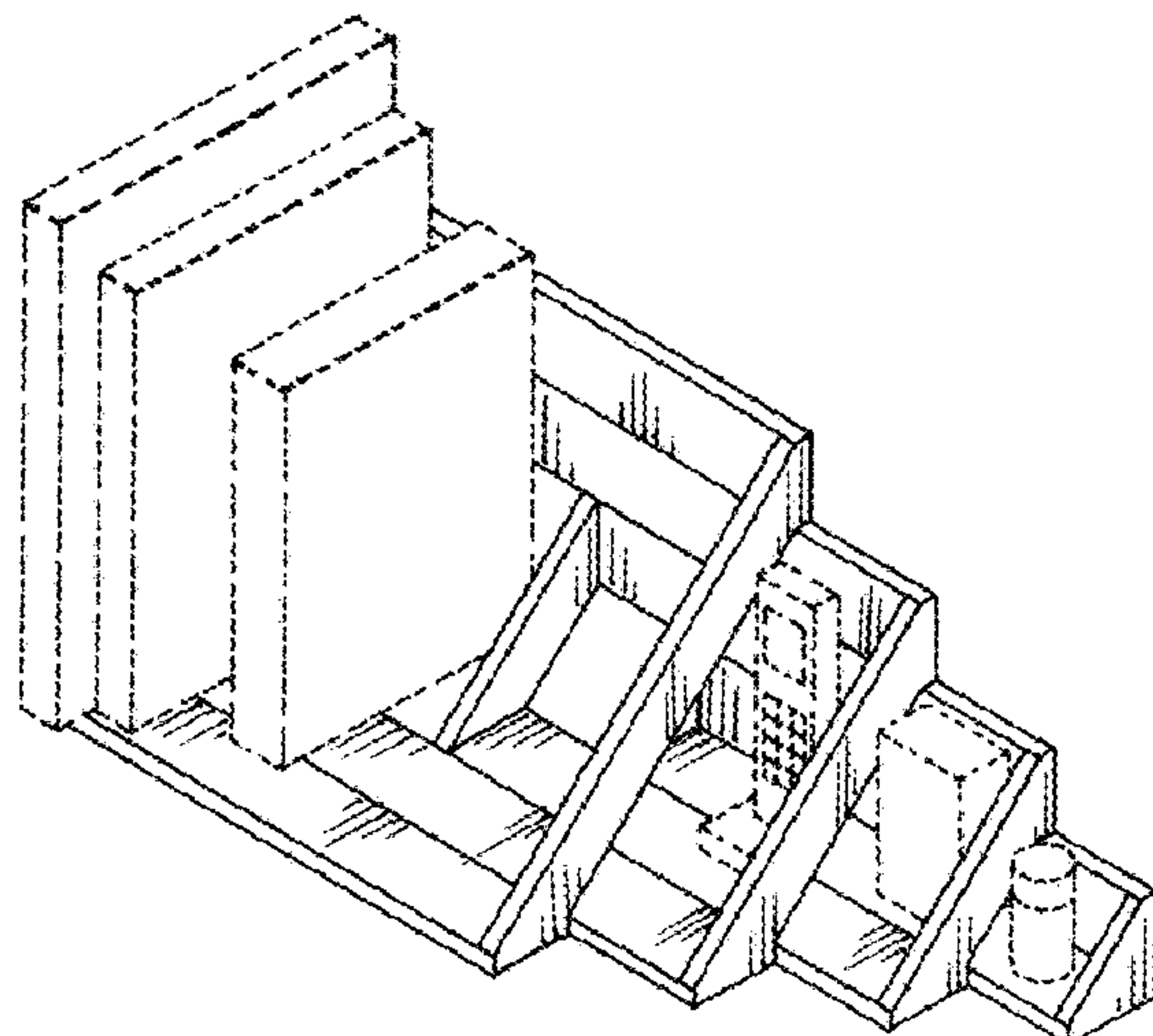
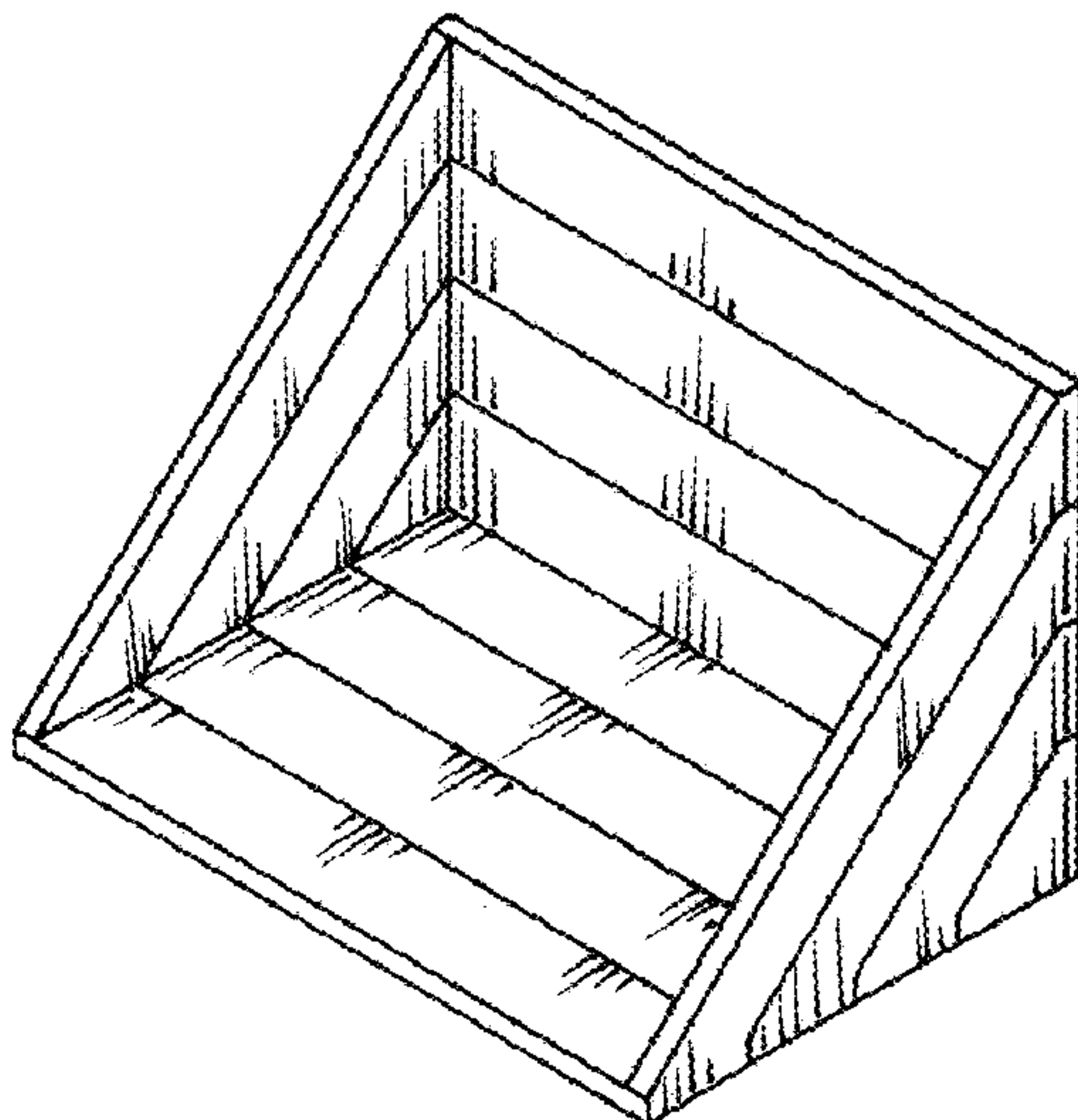
(57) **CLAIM**

The ornamental design for a bookshelf, as shown and described.

DESCRIPTION

FIG. 1 is a perspective view of a bookshelf showing my new design;
 FIG. 2 is a front elevational view thereof;
 FIG. 3 is a rear elevational view thereof;
 FIG. 4 is a right elevational view thereof;
 FIG. 5 is a top view thereof;
 FIG. 6 is a bottom view thereof; and
 FIG. 7 is a front elevational view showing that the bookshelf is expanded toward the left side;
 FIG. 8 is a perspective view showing that the bookshelf is expanded toward the left side;
 FIG. 9 is an exploded perspective view of the bookshelf; and,
 FIG. 10 is a perspective view showing a state of use thereof. The left elevational view is omitted due to symmetric with the right elevational view.
 The broken line portion of the figure drawings is included to show unclaimed subject matter only and forms no part of the claimed design.

1 Claim, 8 Drawing Sheets



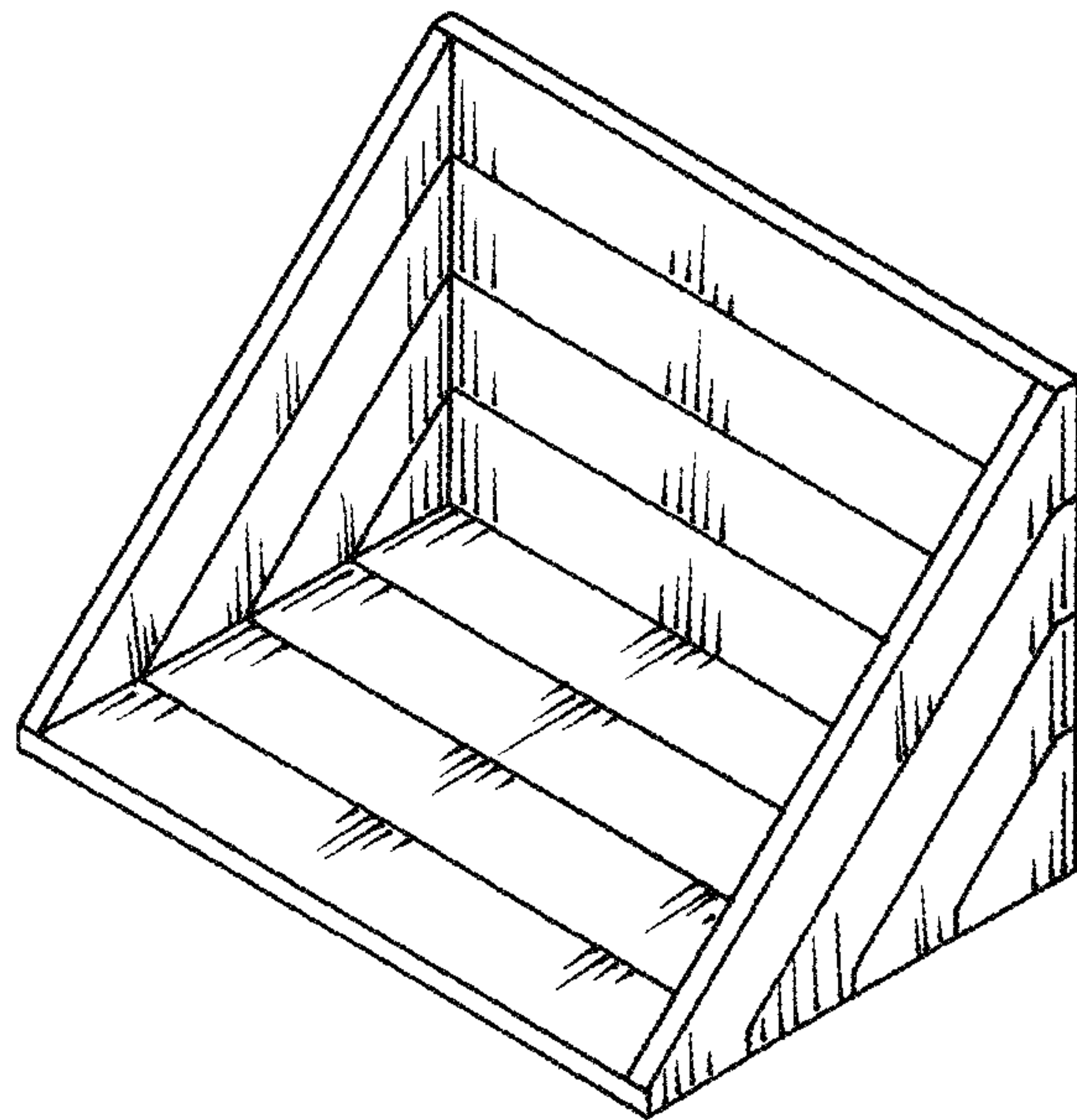


FIG. 1

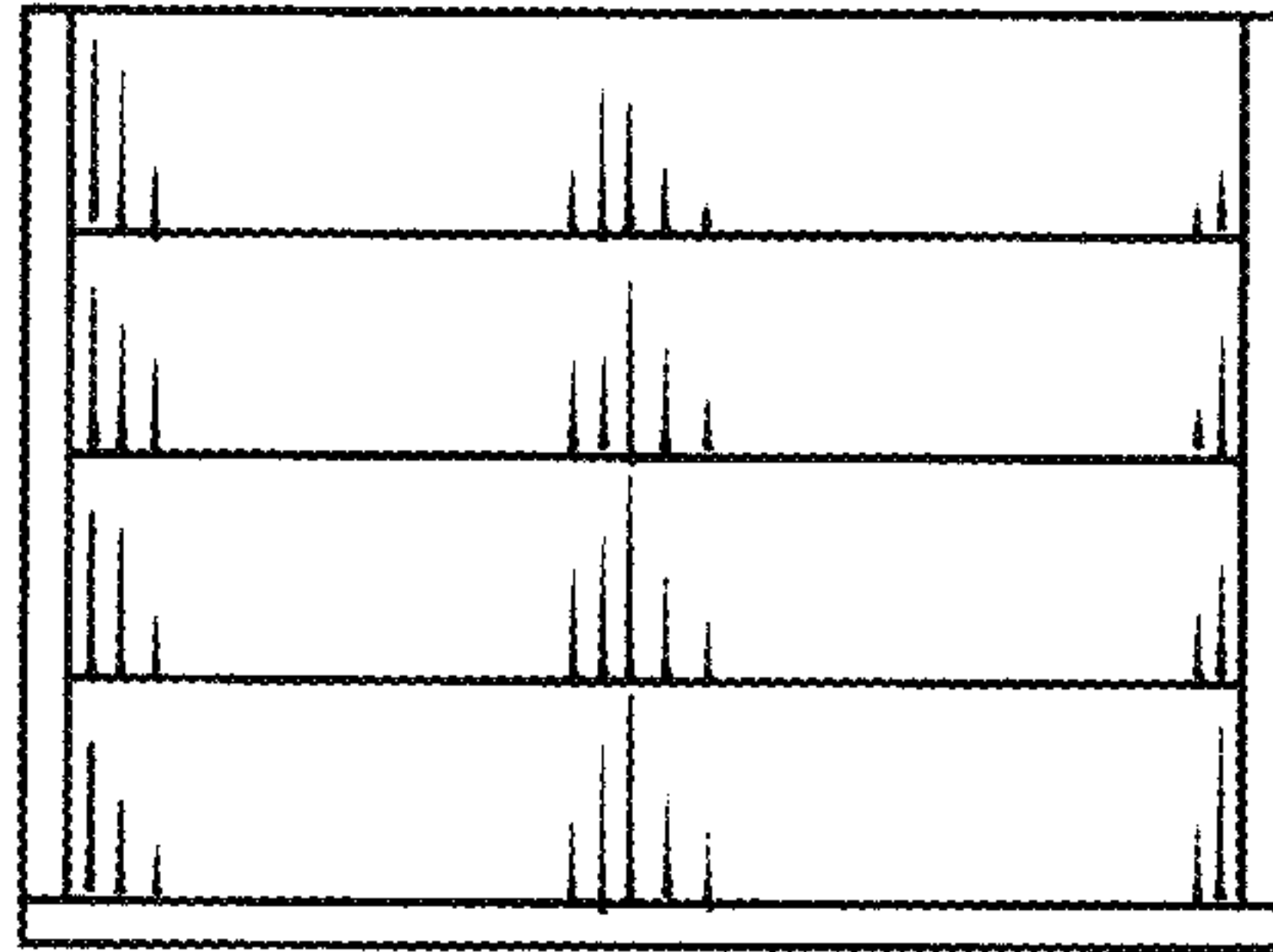


FIG. 2

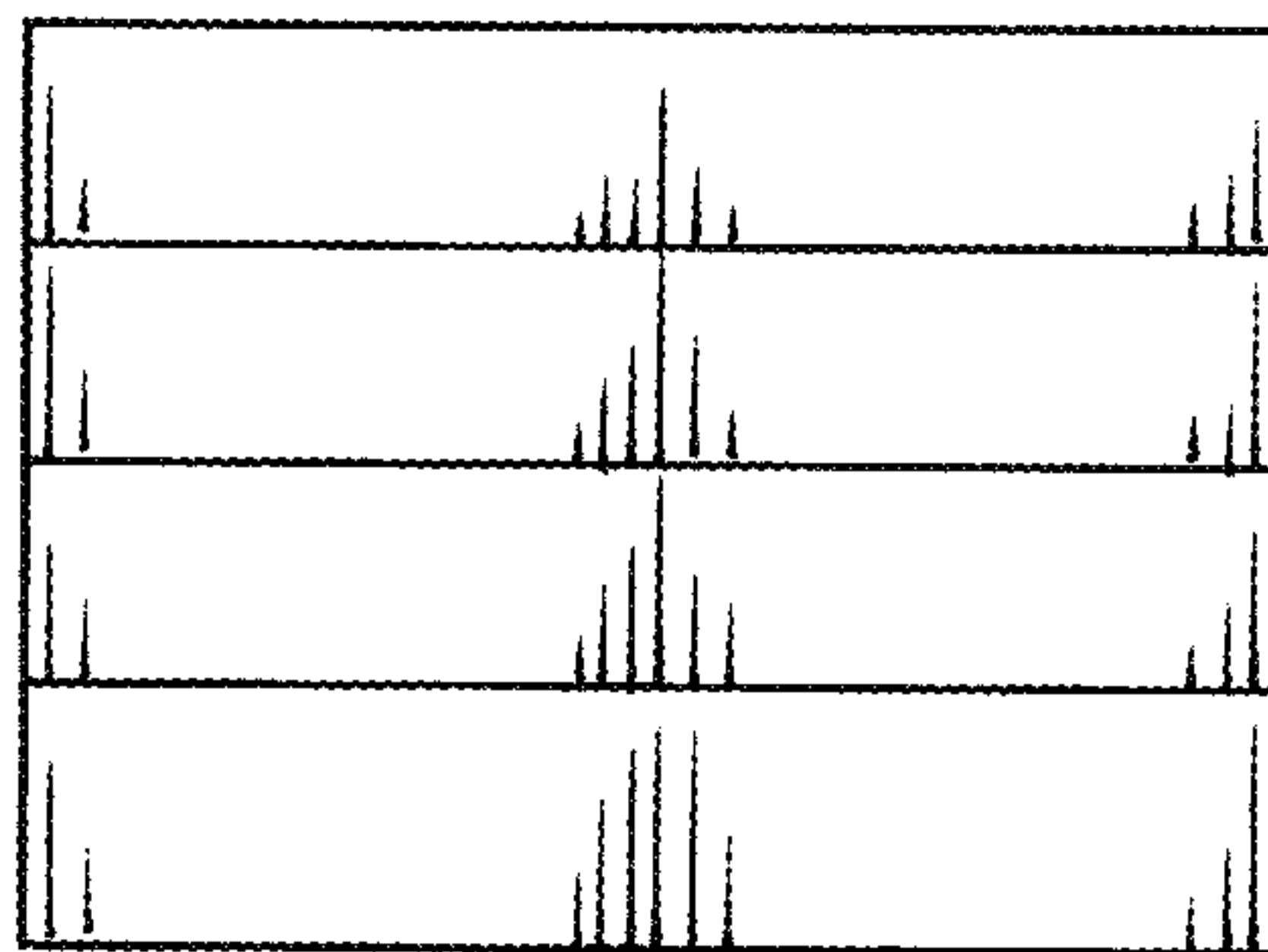


FIG. 3

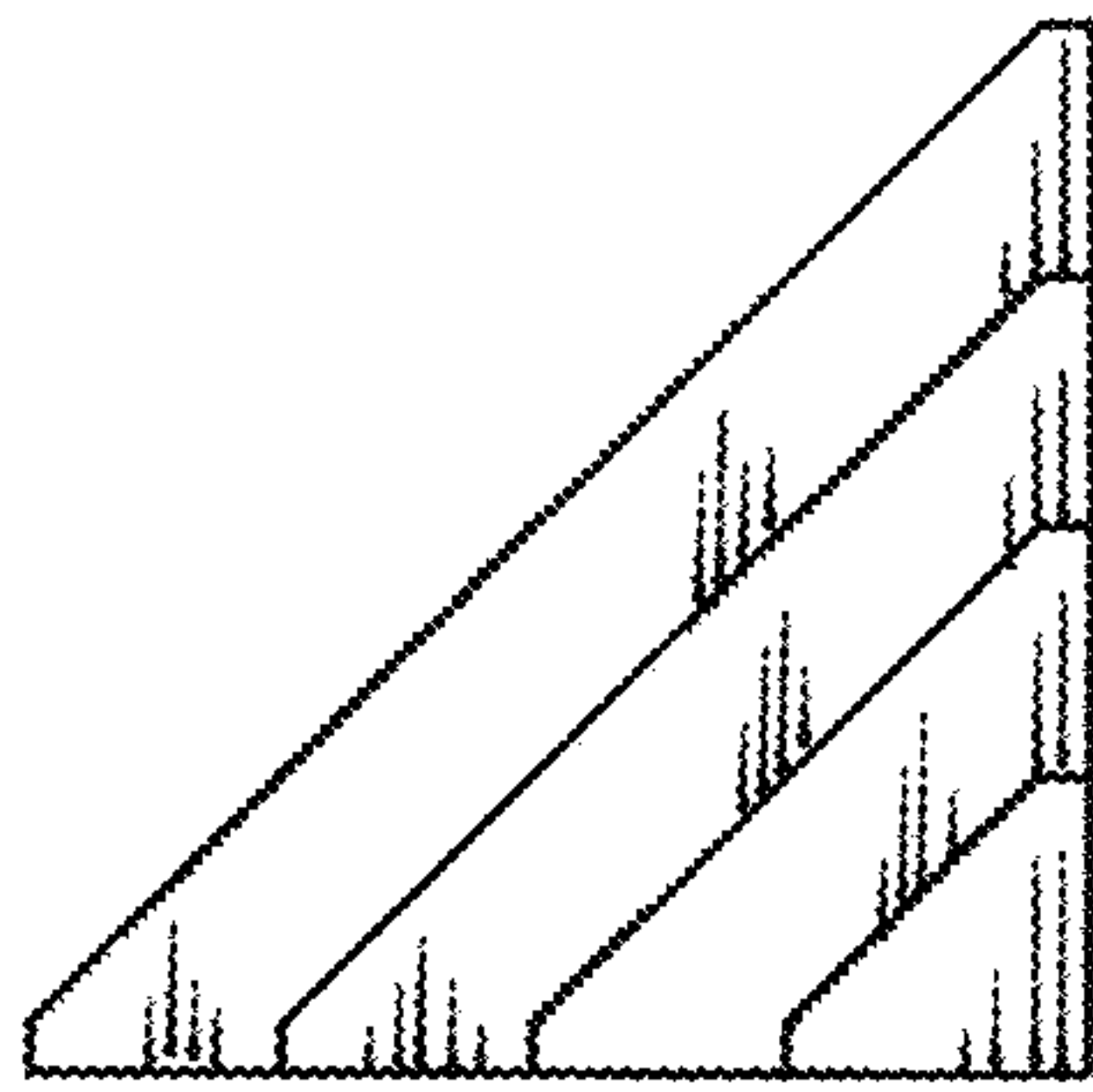


FIG. 4

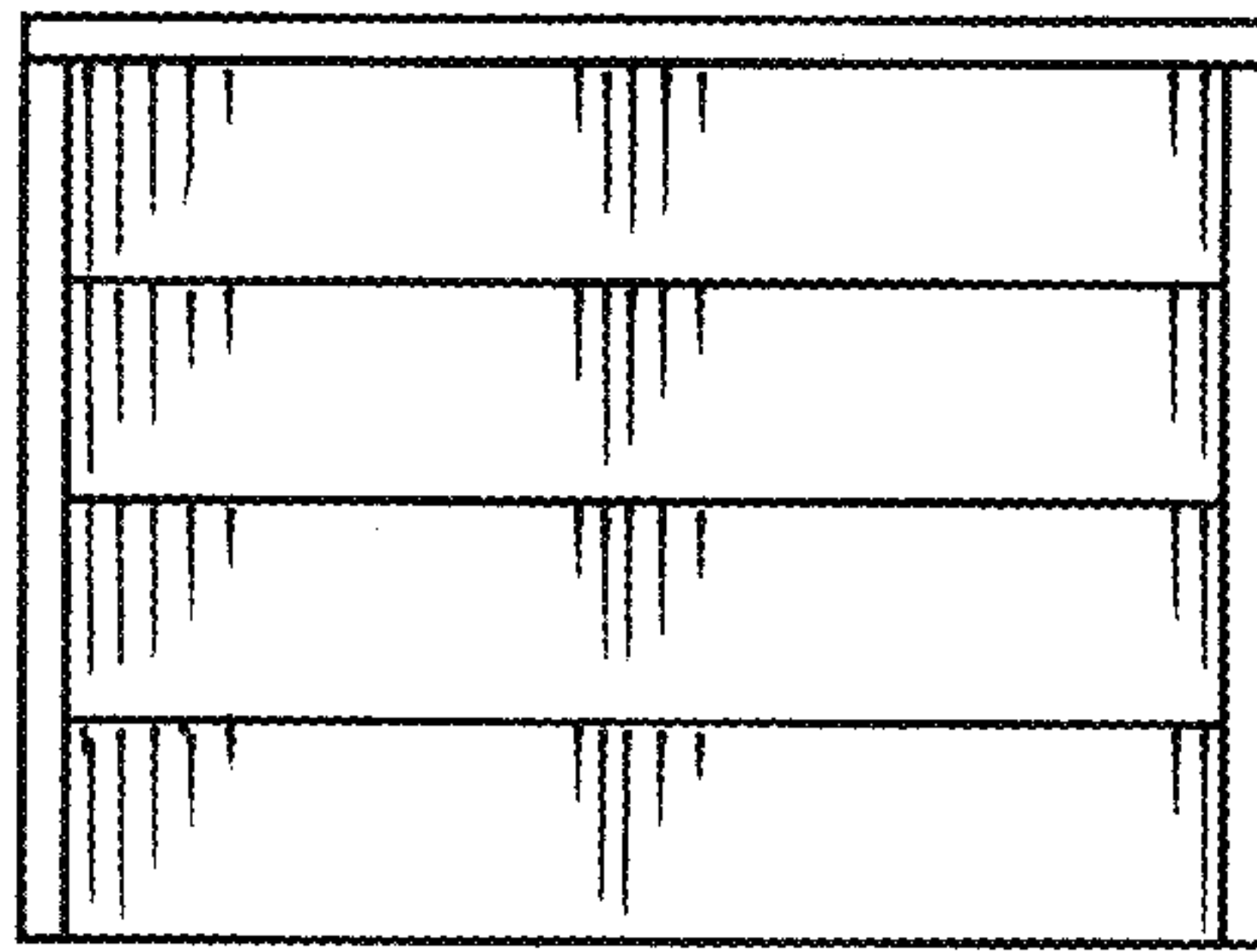


FIG. 5

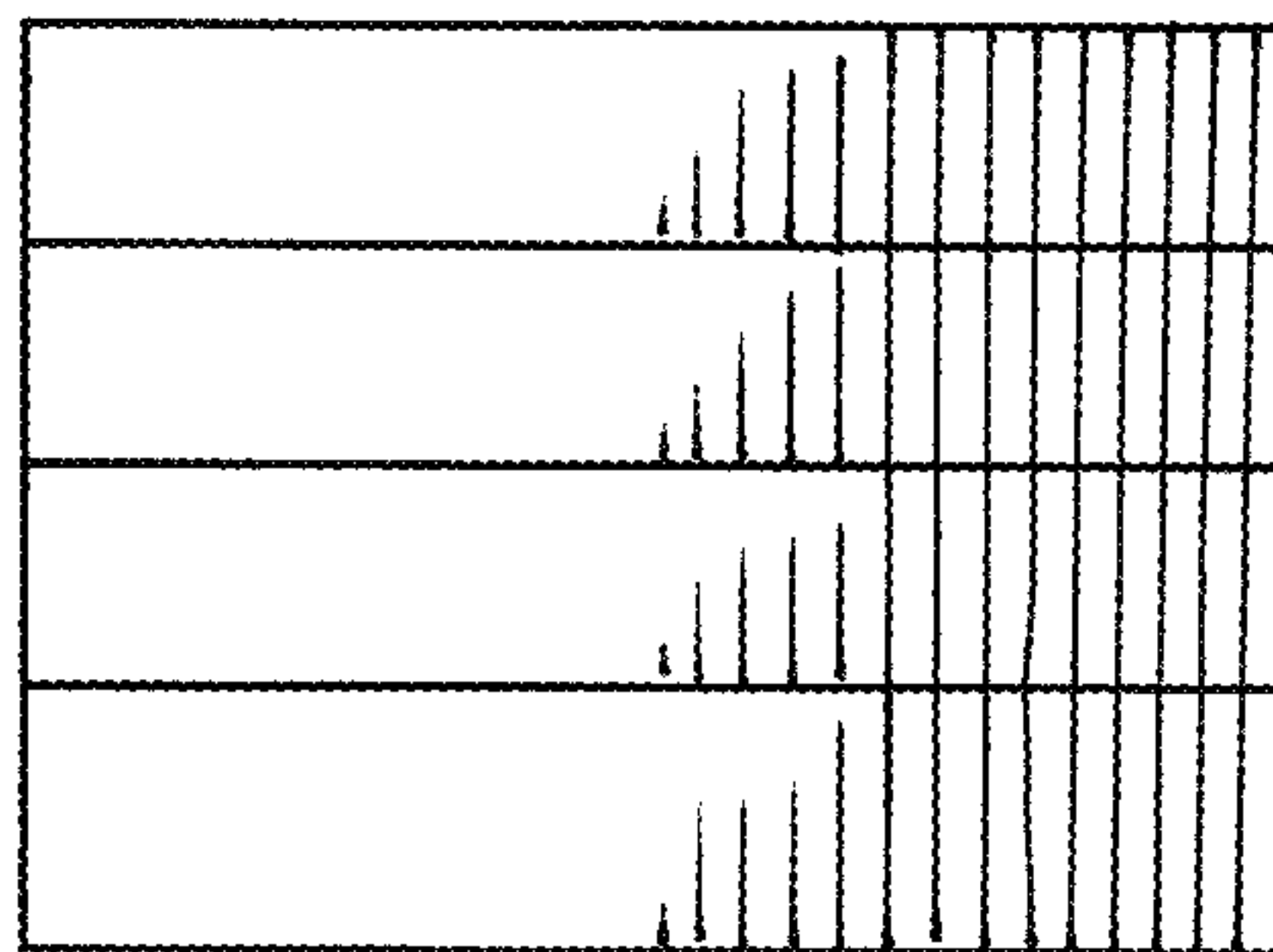


FIG. 6

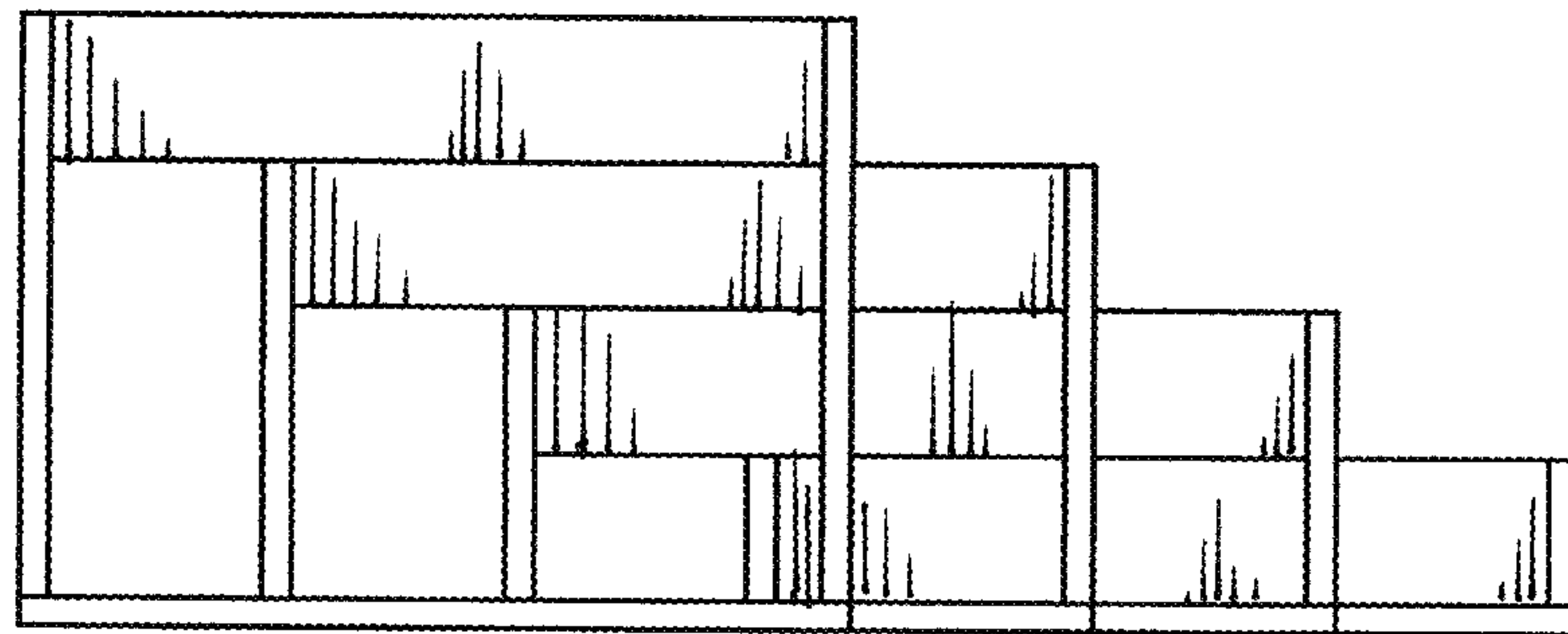


FIG. 7

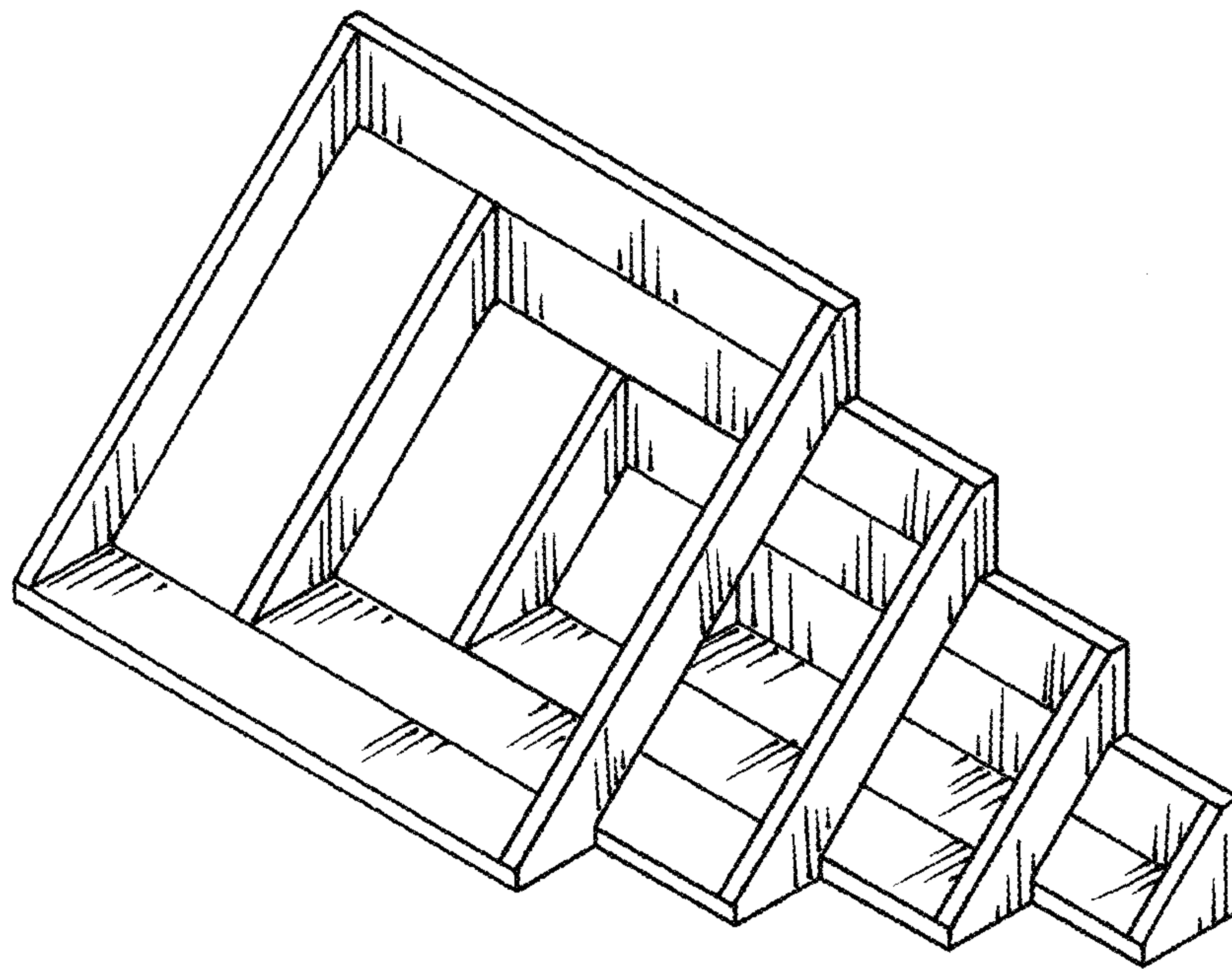


FIG. 8

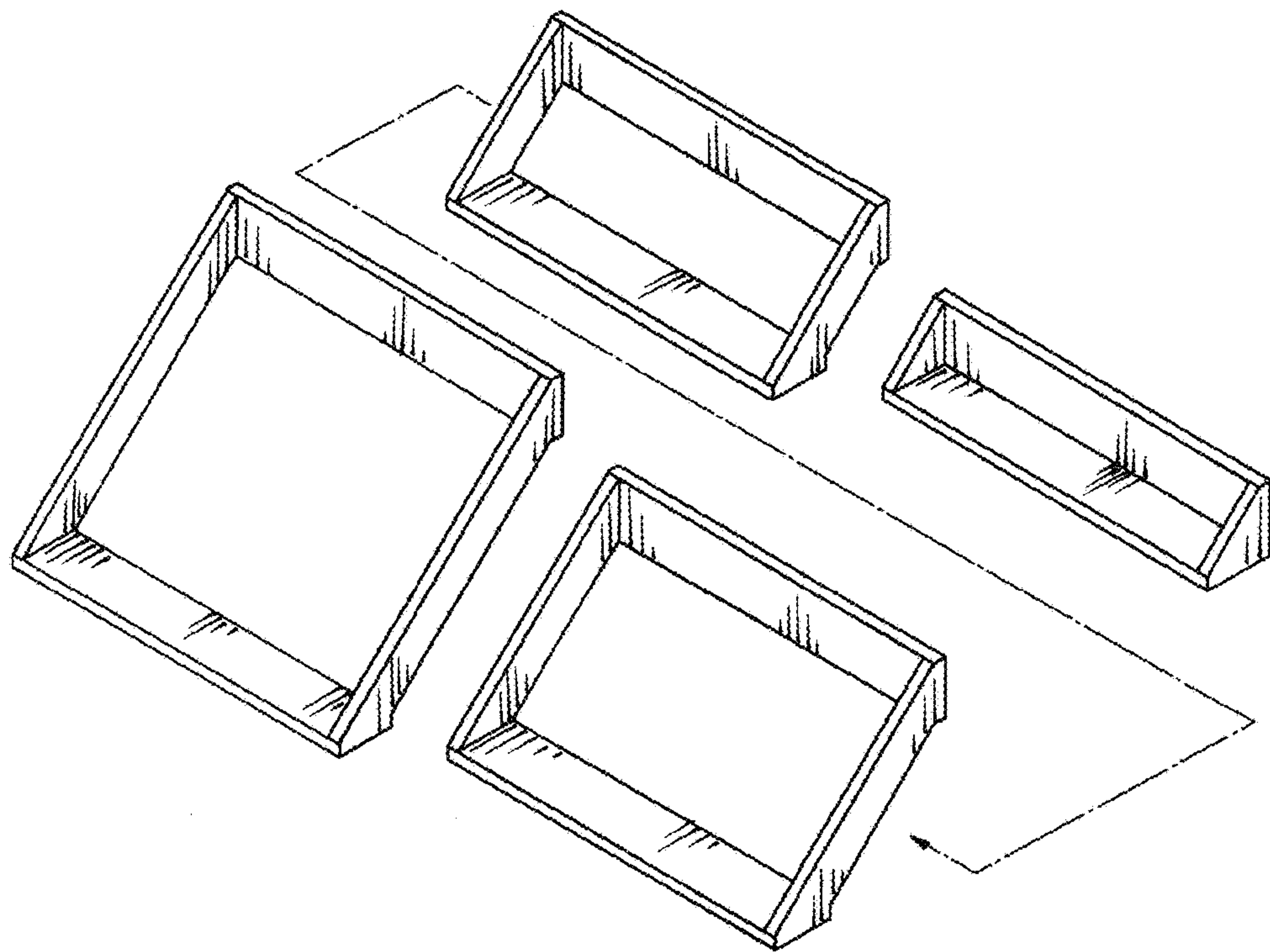


FIG. 9

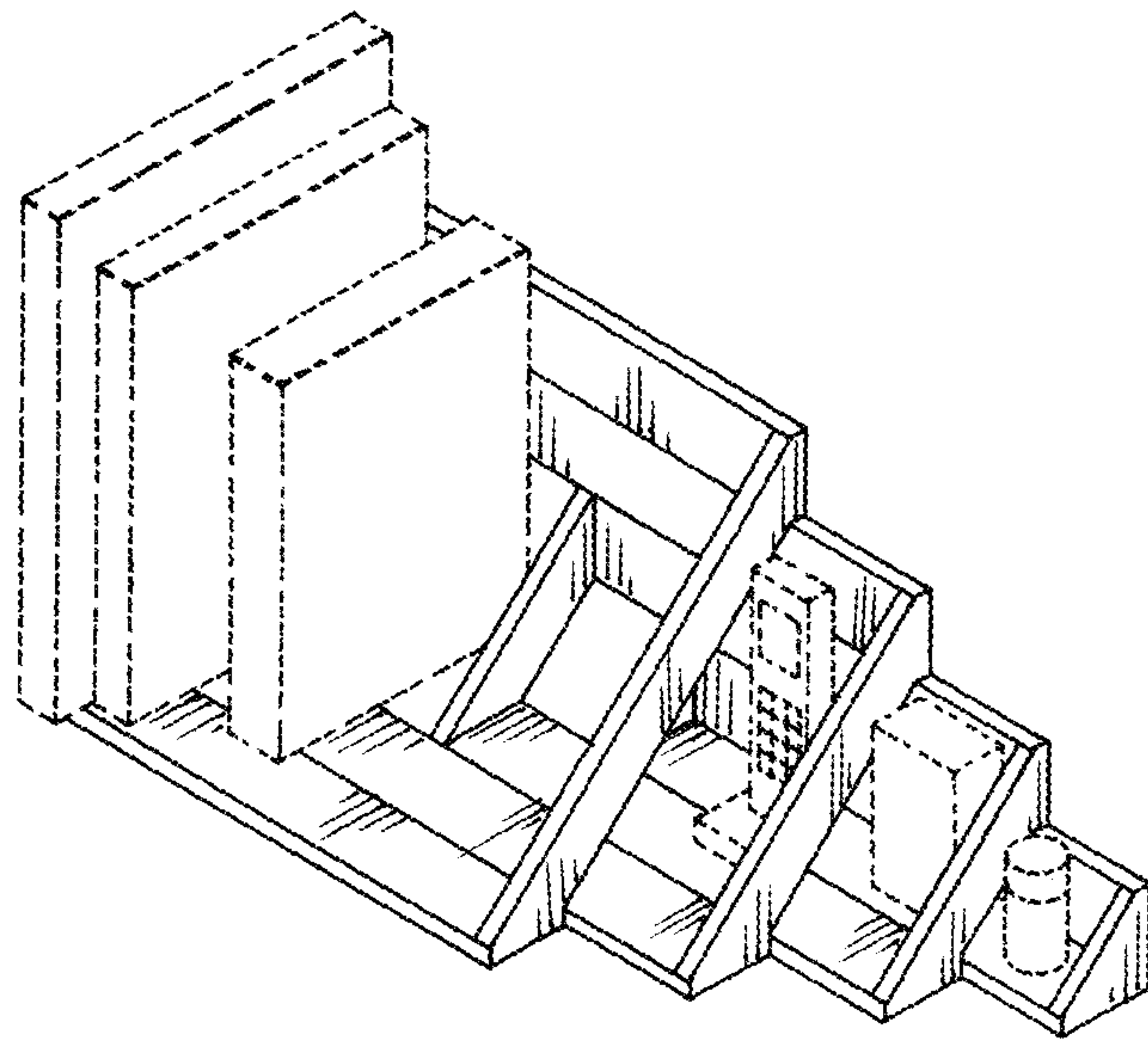


FIG. 10