



US00D791868S

(12) **United States Design Patent** (10) **Patent No.:** **US D791,868 S**
Hayashi et al. (45) **Date of Patent:** **** Jul. 11, 2017**

(54) **INK TANK FOR PRINTER**

FOREIGN PATENT DOCUMENTS

(71) Applicant: **Canon Kabushiki Kaisha**, Ohta-ku, Tokyo (JP)

KR 30-0527266 4/2009

(72) Inventors: **Hiroki Hayashi**, Kawasaki (JP);
Takeho Miyashita, Yokohama (JP);
Tetsuya Ohashi, Matsudo (JP);
Takashi Kusanagi, Akishima (JP)

OTHER PUBLICATIONS

U.S. Appl. No. 29/540,328, filed Sep. 23, 2015, H. Murakami.
U.S. Appl. No. 29/536,246, filed Aug. 14, 2015, H. Hayashi.
U.S. Appl. No. 29/560,299, filed Apr. 5, 2016, H. Hayashi.

(73) Assignee: **Canon Kabushiki Kaisha**, Tokyo (JP)

Primary Examiner — Manpreet Matharu
Assistant Examiner — Suzanne Tisdell

(**) Term: **15 Years**

(74) *Attorney, Agent, or Firm* — Fitzpatrick, Cella, Harper & Scinto

(21) Appl. No.: **29/560,296**

(57) **CLAIM**

(22) Filed: **Apr. 5, 2016**

The ornamental design for an ink tank for printer, as shown and described.

(30) **Foreign Application Priority Data**

DESCRIPTION

Oct. 6, 2015 (JP) 2015-022000
Oct. 6, 2015 (JP) 2015-022002

(51) **LOC (10) Cl.** **18-02**

(52) **U.S. Cl.**
USPC **D18/56**

(58) **Field of Classification Search**
USPC D18/12, 18, 40, 43, 44, 56, 99; D14/484
CPC . B41J 15/044; B41J 32/00; B41J 17/32; B41J
33/52; B41J 33/56; B41J 35/36; G11B
23/08757

See application file for complete search history.

FIG. 1 is a front view of a first embodiment of an ink tank for printer showing our new design;
FIG. 2 is a rear view thereof;
FIG. 3 is a top plan view thereof;
FIG. 4 is a bottom plan view thereof;
FIG. 5 is a left side view thereof;
FIG. 6 is a right side view thereof;
FIG. 7 is a top perspective view thereof;
FIG. 8 is a bottom perspective view thereof;
FIG. 9 is a front view of a second embodiment of an ink tank for printer showing our new design;
FIG. 10 is a rear view thereof;
FIG. 11 is a top plan view thereof;
FIG. 12 is a bottom plan view thereof;
FIG. 13 is a left side view thereof;
FIG. 14 is a right side view thereof;
FIG. 15 is a front perspective view thereof; and,
FIG. 16 is a bottom perspective view thereof.
The broken lines shown in the drawings illustrate portions of the ink tank for printer that form no part of the claimed design.

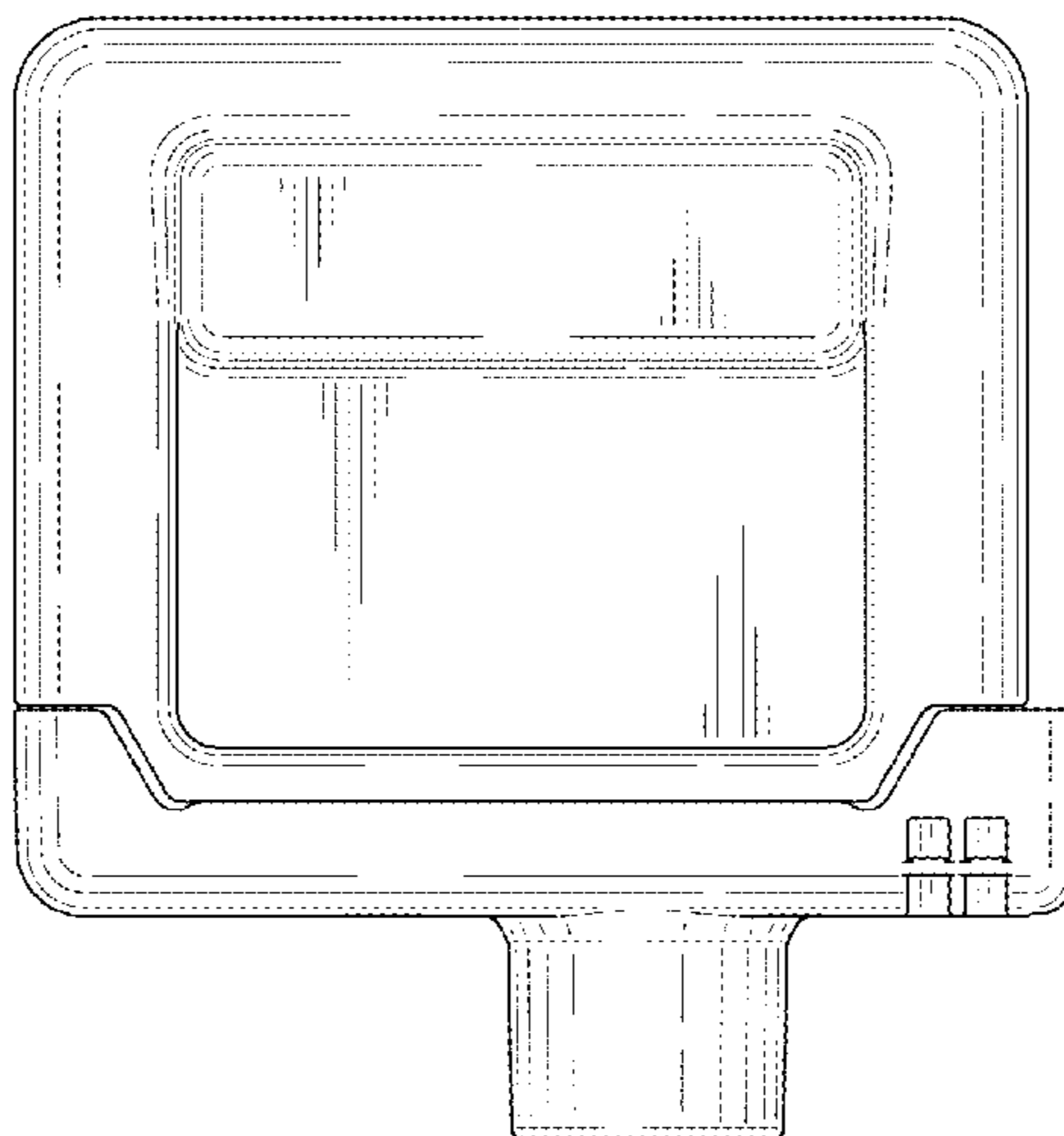
(56) **References Cited**

U.S. PATENT DOCUMENTS

D501,504 S * 2/2005 Yamada 347/86
D509,531 S * 9/2005 Geserich D18/12
D530,365 S * 10/2006 Wakayama 347/86
D538,335 S * 3/2007 Chang D18/56
D549,280 S * 8/2007 Morino 347/86
D570,905 S * 6/2008 Yuen 347/86
D597,595 S * 8/2009 Nip D18/56

(Continued)

1 Claim, 8 Drawing Sheets



(56)

References Cited

U.S. PATENT DOCUMENTS

D602,076	S	*	10/2009	Saikawa	D18/56
D603,895	S	*	11/2009	Hattori	D18/56
D611,532	S		3/2010	Nanjo et al.	D18/56
D624,960	S		10/2010	Inoue et al.	D18/56
D626,173	S		10/2010	Inoue et al.	D18/56
D627,818	S	*	11/2010	Ishizawa	347/86
D648,779	S	*	11/2011	Saito	D18/43
D656,183	S		3/2012	Nanjo et al.	D18/56
D674,436	S		1/2013	Takada et al.	D18/56
D677,721	S	*	3/2013	Kawate	D18/56
D681,728	S	*	5/2013	Takagi	347/86
D682,929	S	*	5/2013	Aoki	D18/56
D692,052	S	*	10/2013	Ishizawa	D18/56
D696,718	S		12/2013	Murakami et al.	D18/56
D696,719	S		12/2013	Murakami et al.	D18/56
D696,720	S		12/2013	Hayashi et al.	D18/56
D696,721	S		12/2013	Kitagawa et al.	D18/59
D741,403	S	*	10/2015	O'Reilly	D18/56
D759,154	S	*	6/2016	Williamson	D18/43
D761,353	S	*	7/2016	Oya	D18/56
D762,260	S	*	7/2016	Oya	D18/56
D762,261	S	*	7/2016	Takagiwa	D18/56
D767,672	S	*	9/2016	Nanjo	D18/56
D767,673	S	*	9/2016	Nanjo	D18/56
D767,674	S	*	9/2016	Nanjo	D18/56
2007/0212151	A1	*	9/2007	Innocenti	B41J 3/4075 400/244
2008/0151425	A1	*	6/2008	Vanderheyden	. G11B 23/08728 360/132	
2008/0213023	A1	*	9/2008	Koizumi	B41M 5/38221 400/208

* cited by examiner

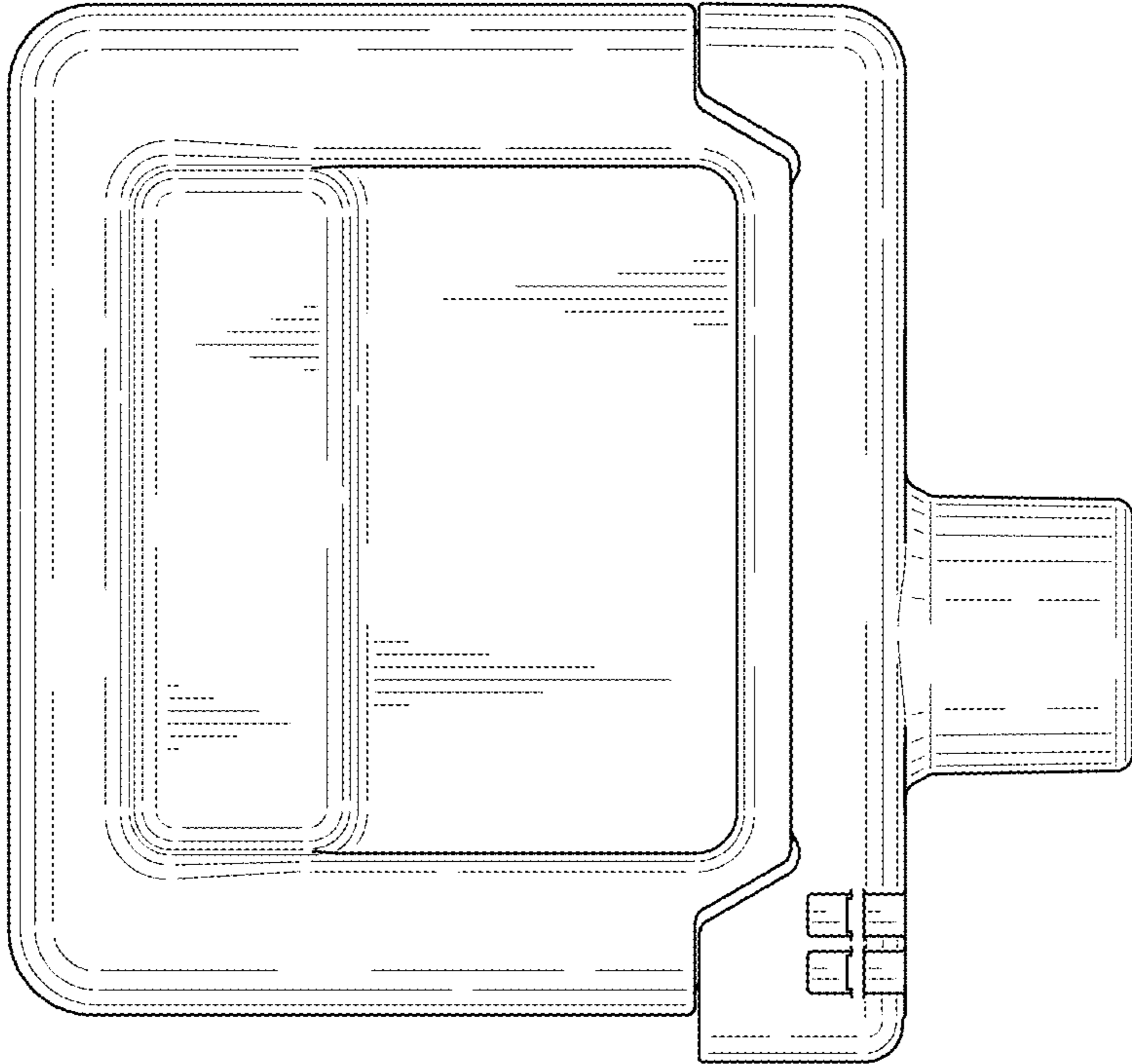


FIG. 1

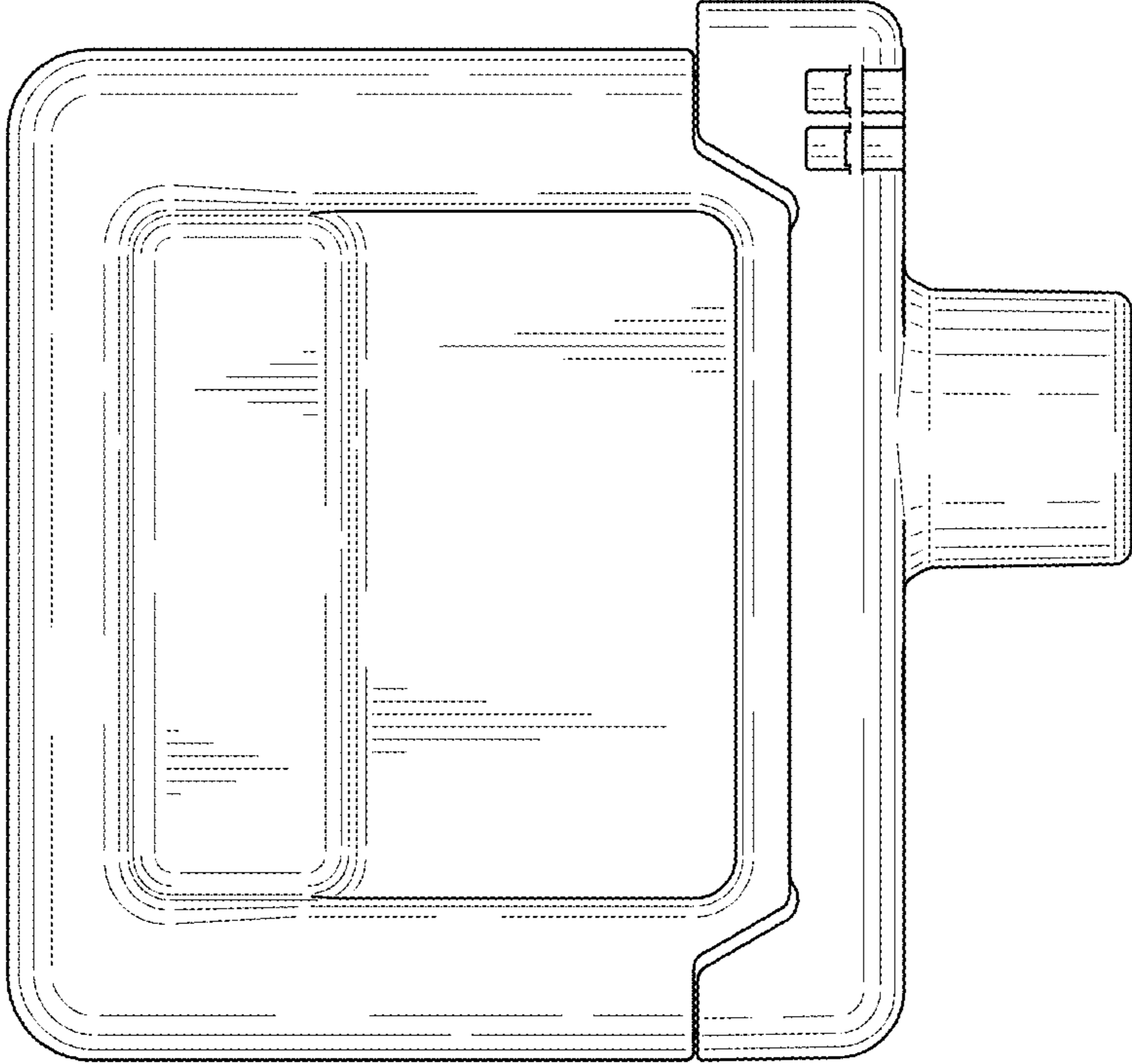


FIG. 2

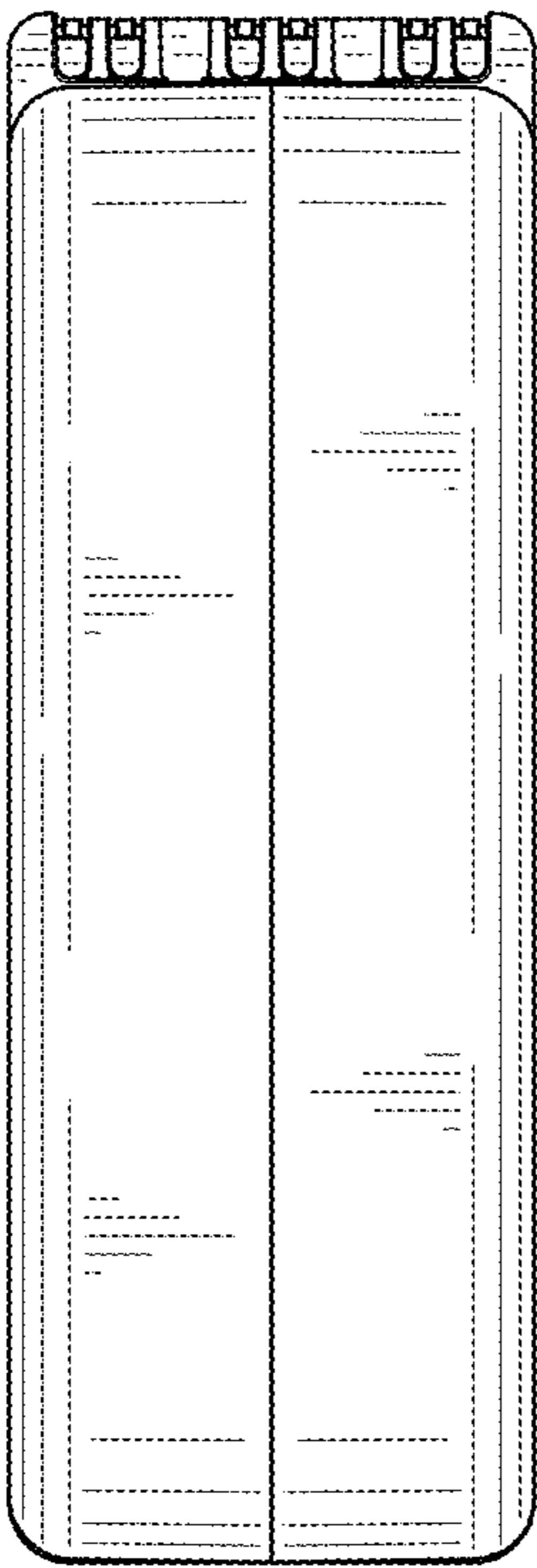


FIG. 3

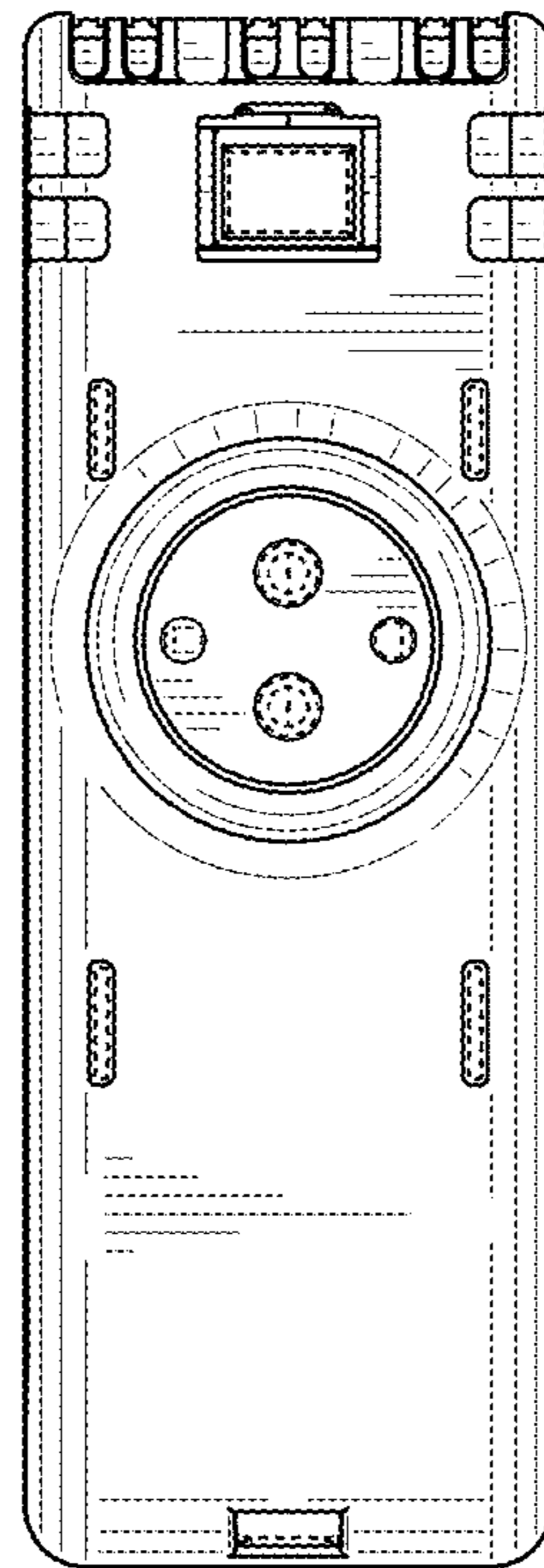


FIG. 4

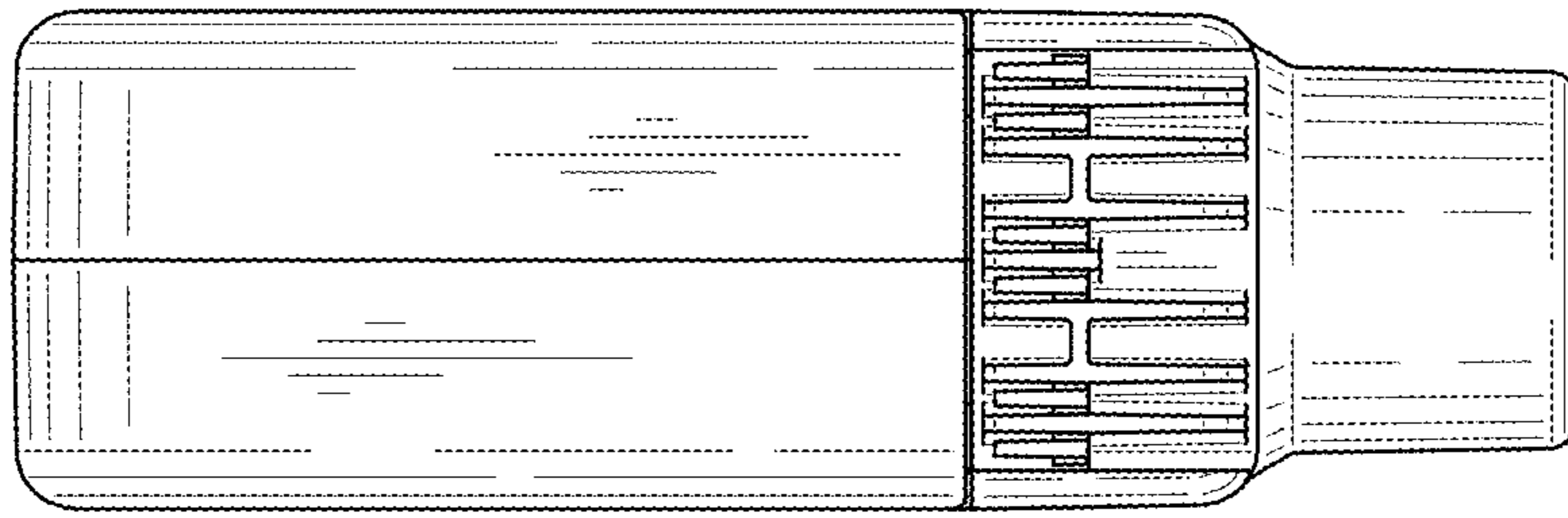


FIG. 6

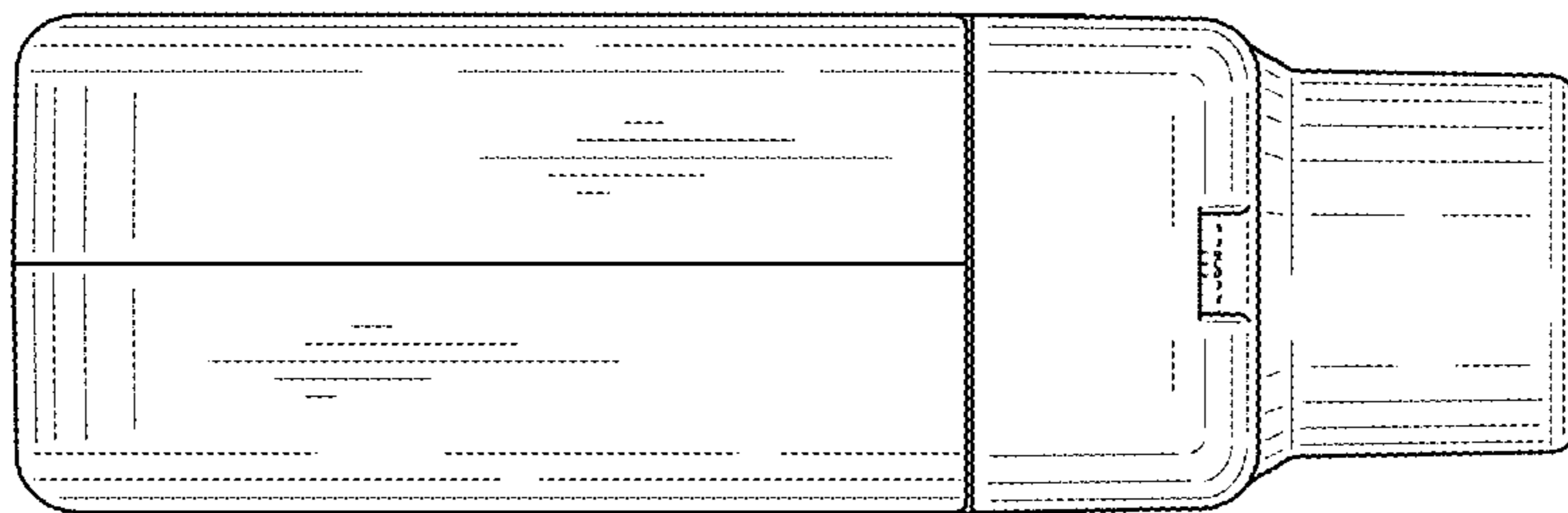


FIG. 5

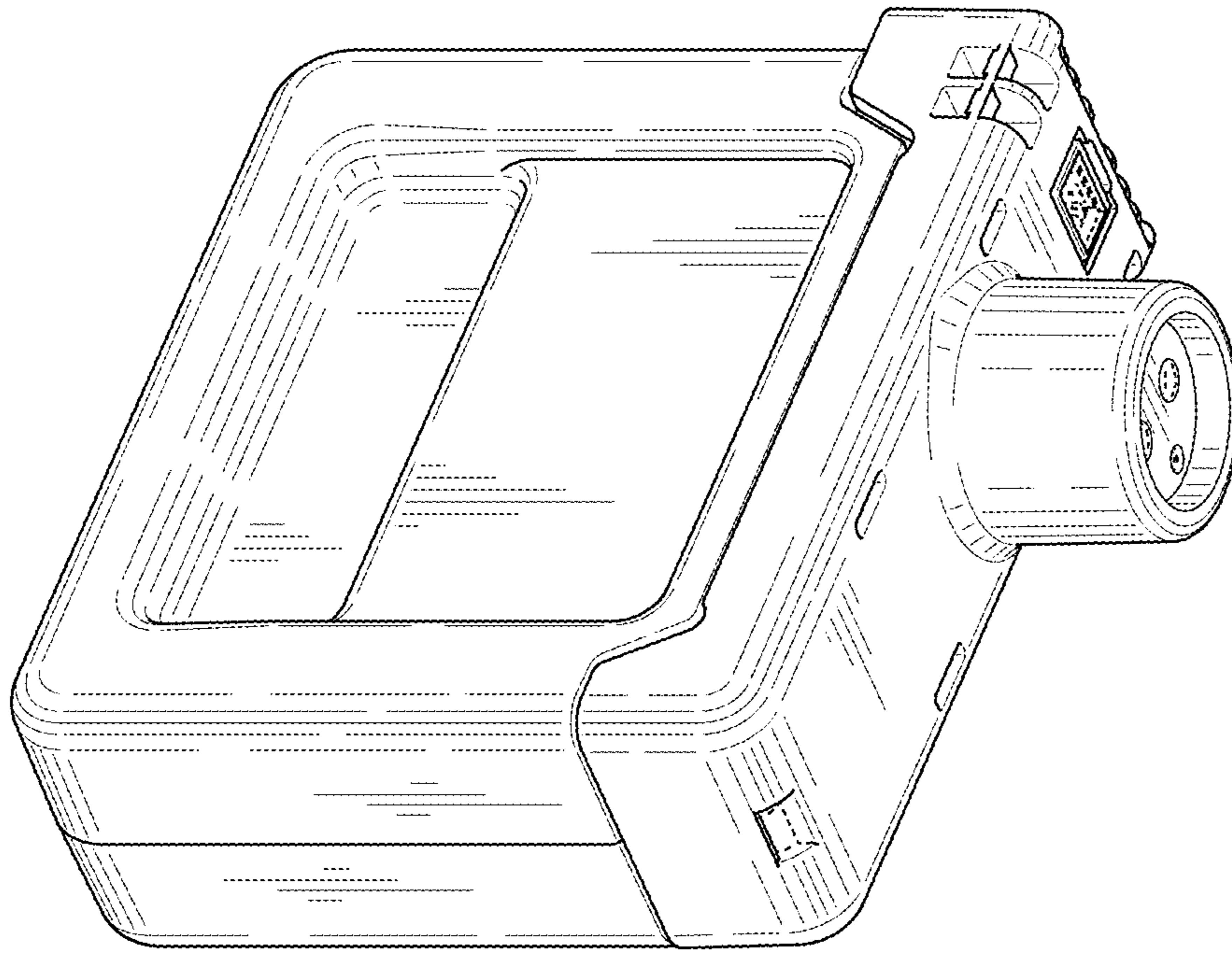


FIG. 8

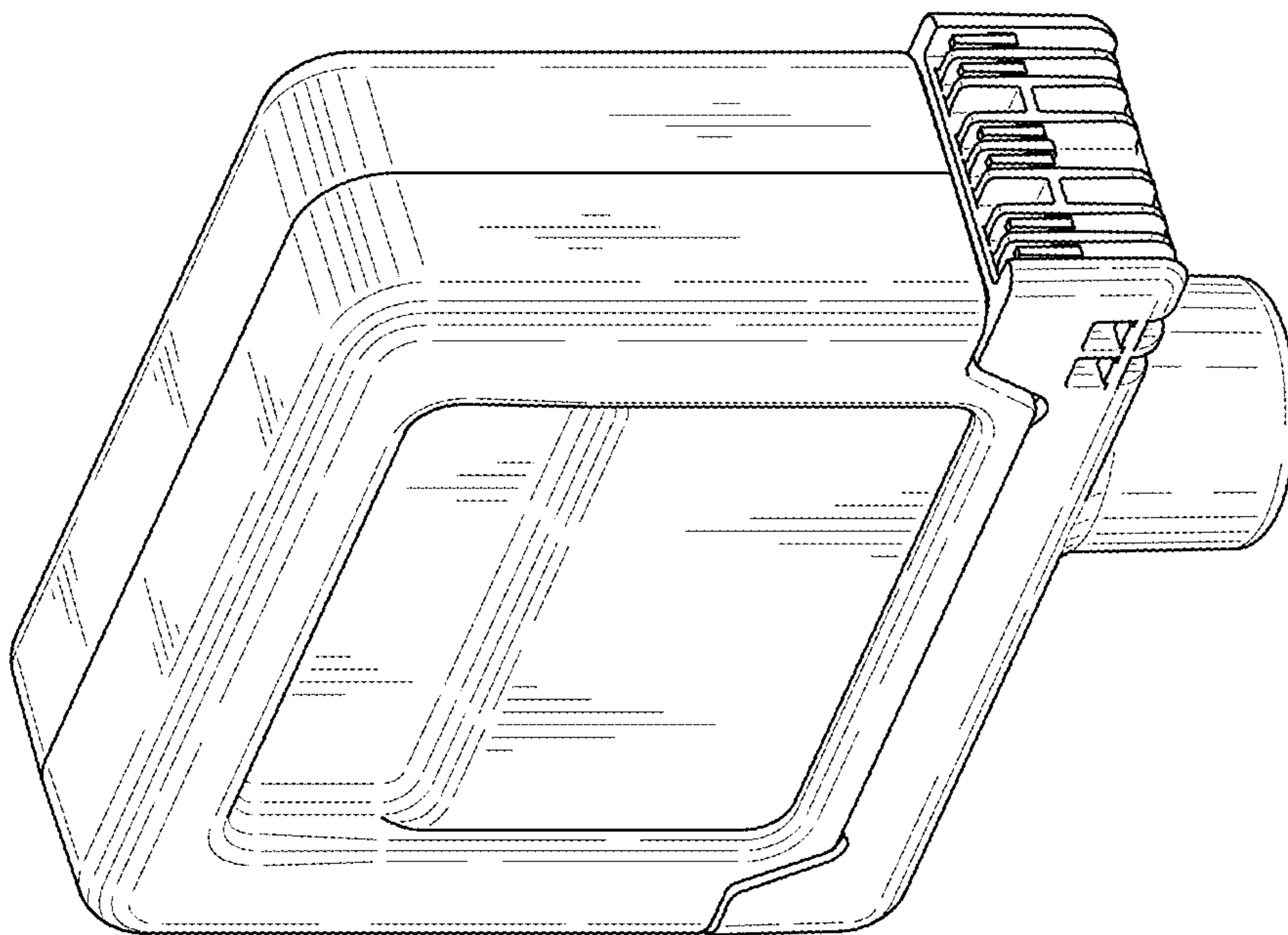


FIG. 7

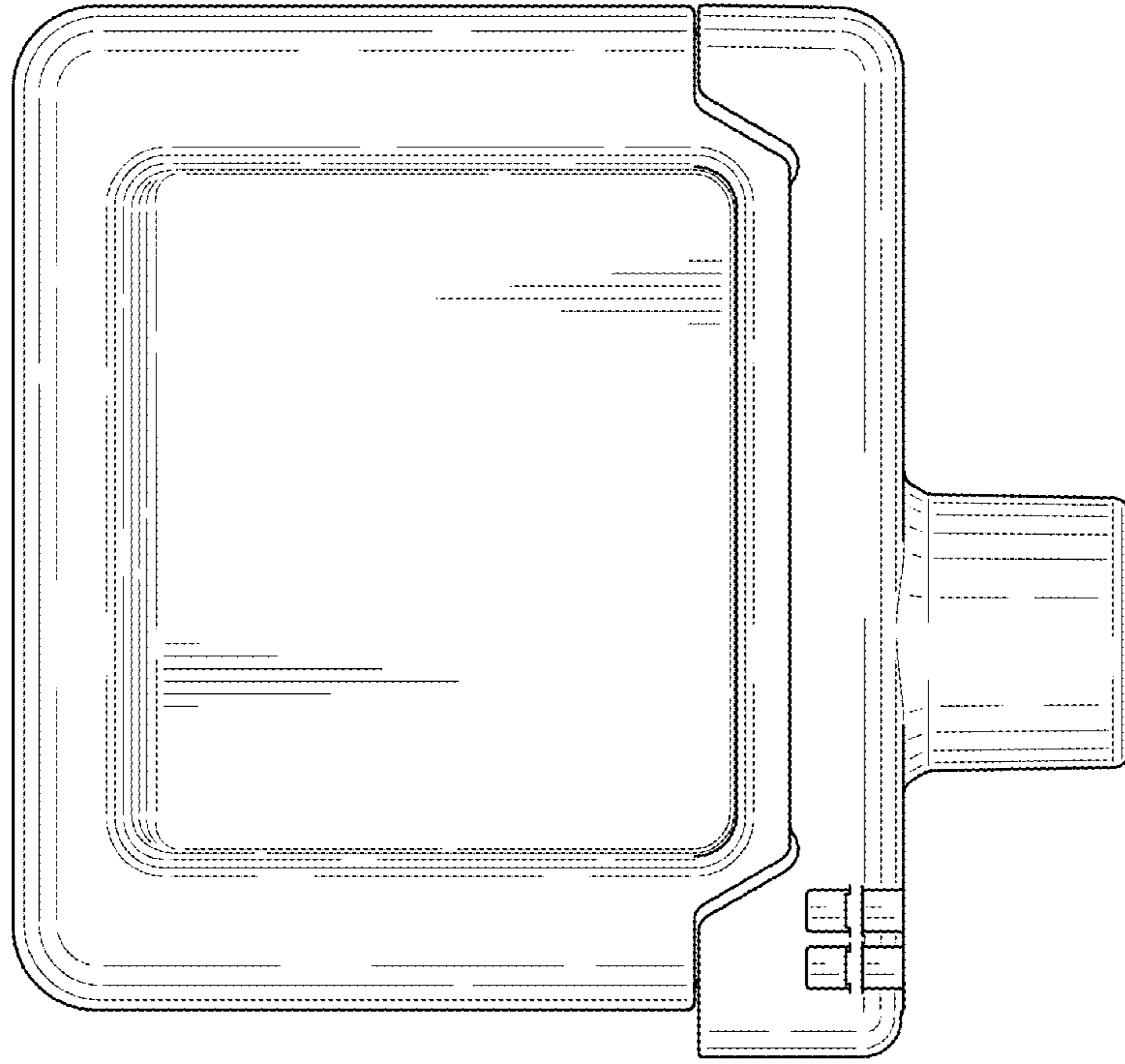


FIG. 9

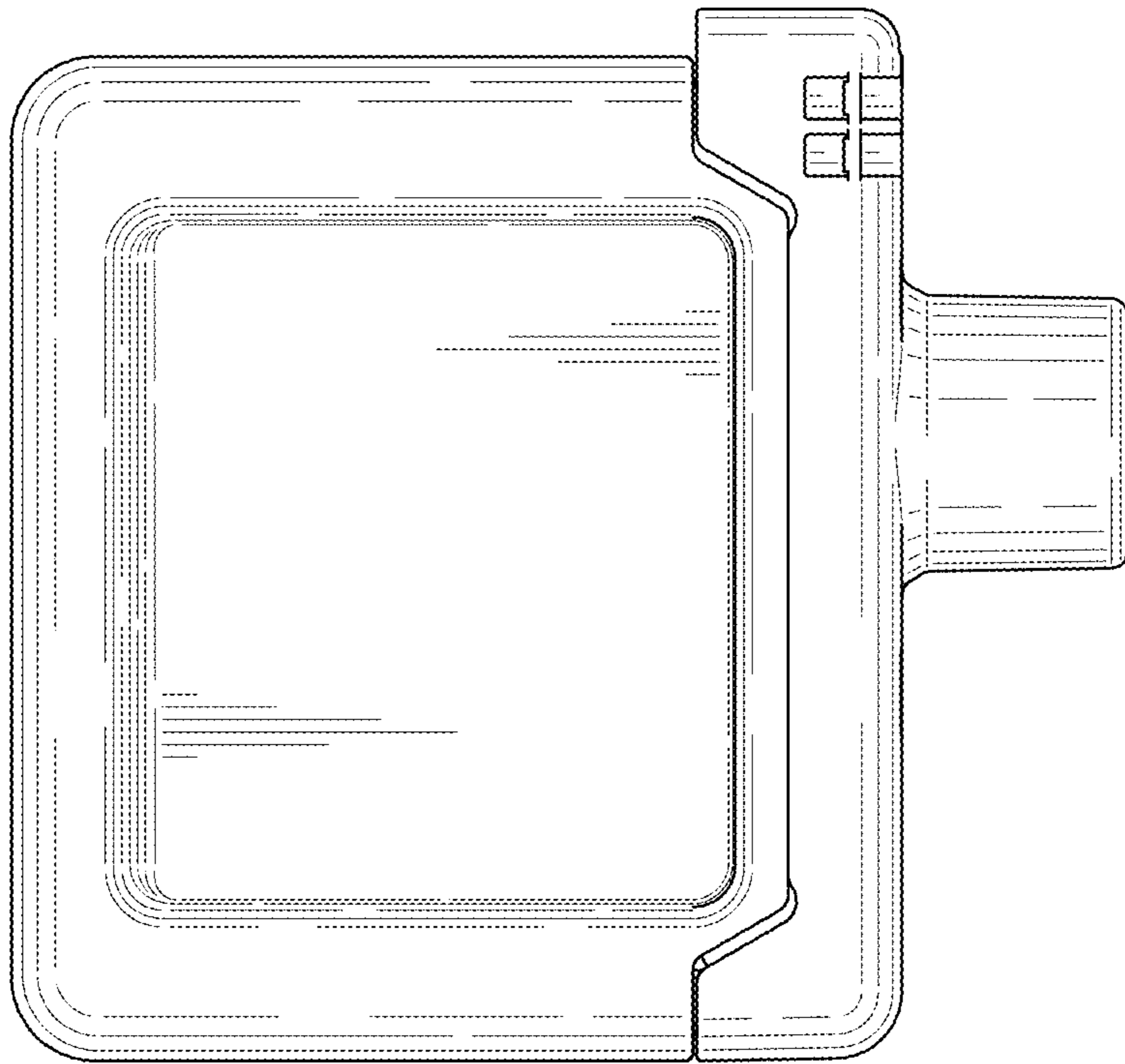


FIG. 10

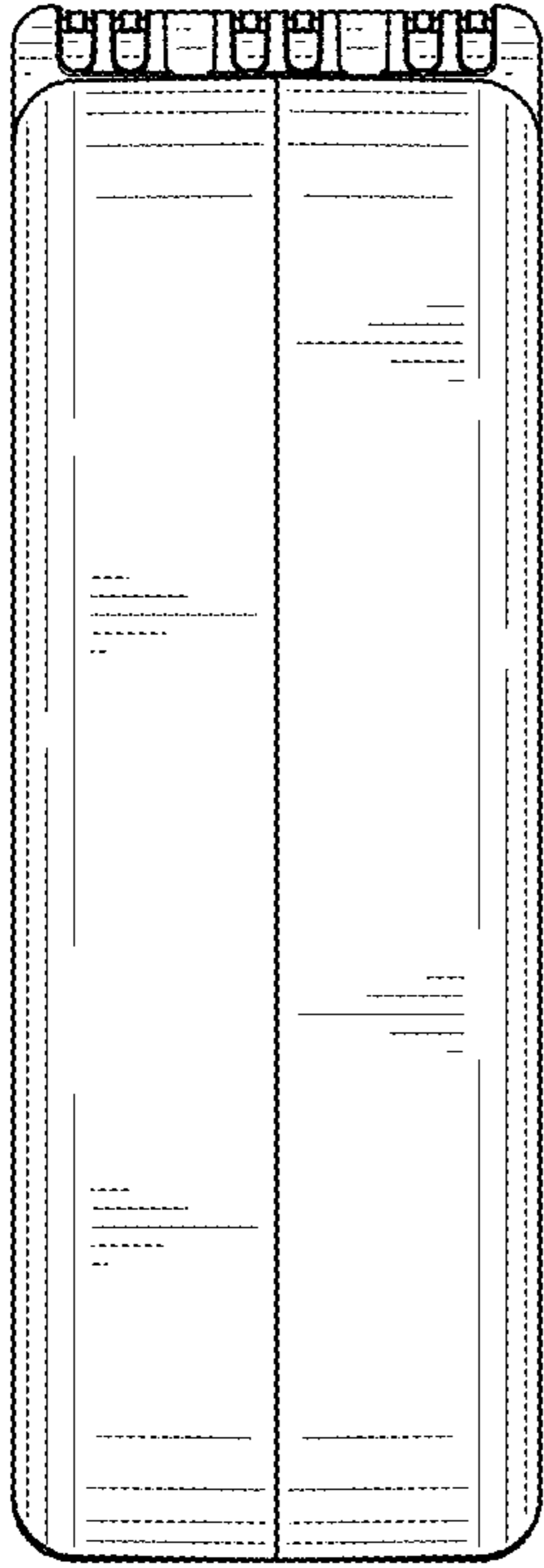


FIG. 11

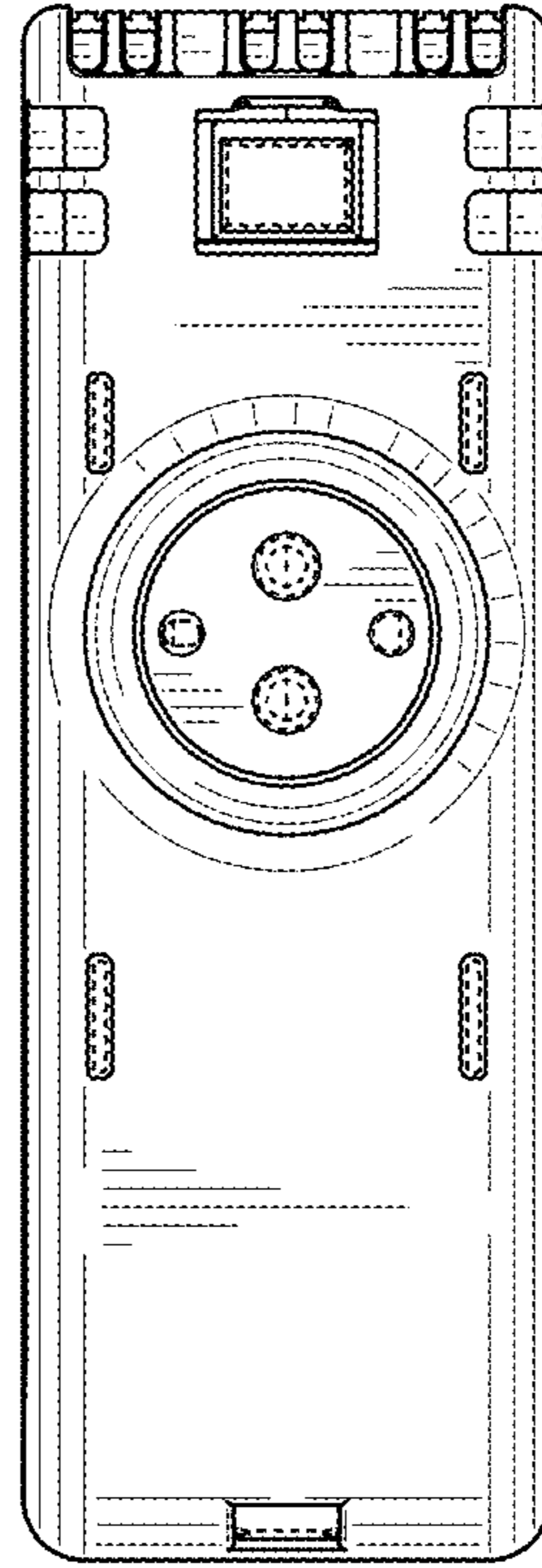


FIG. 12

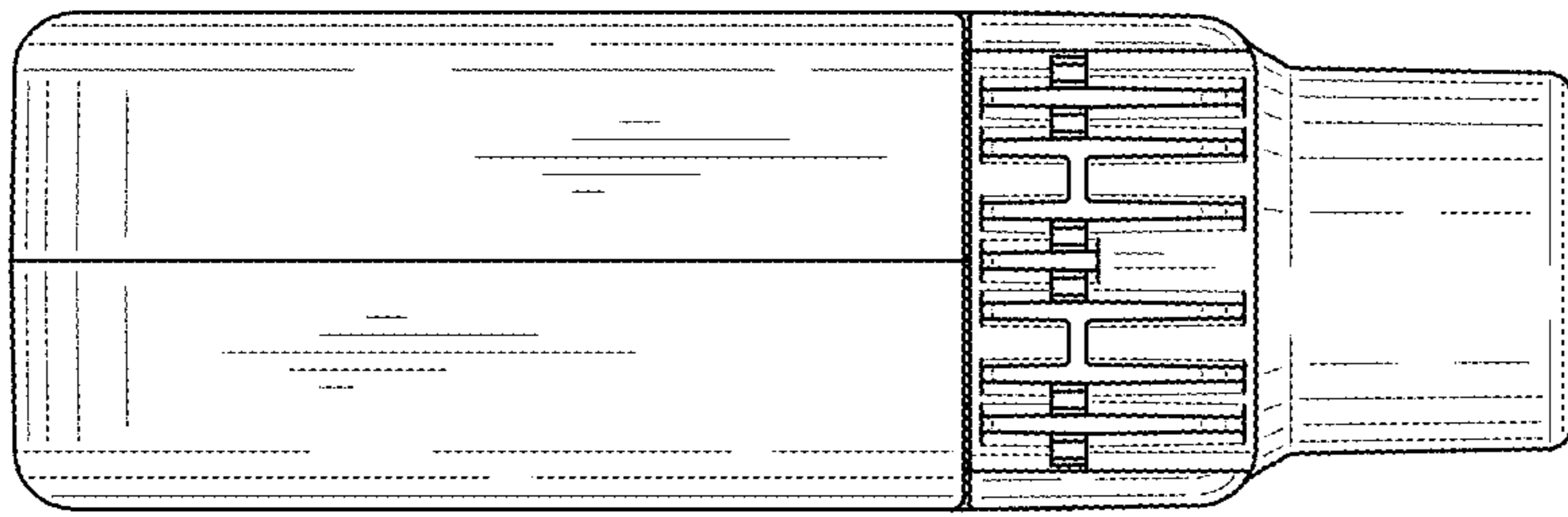


FIG. 14

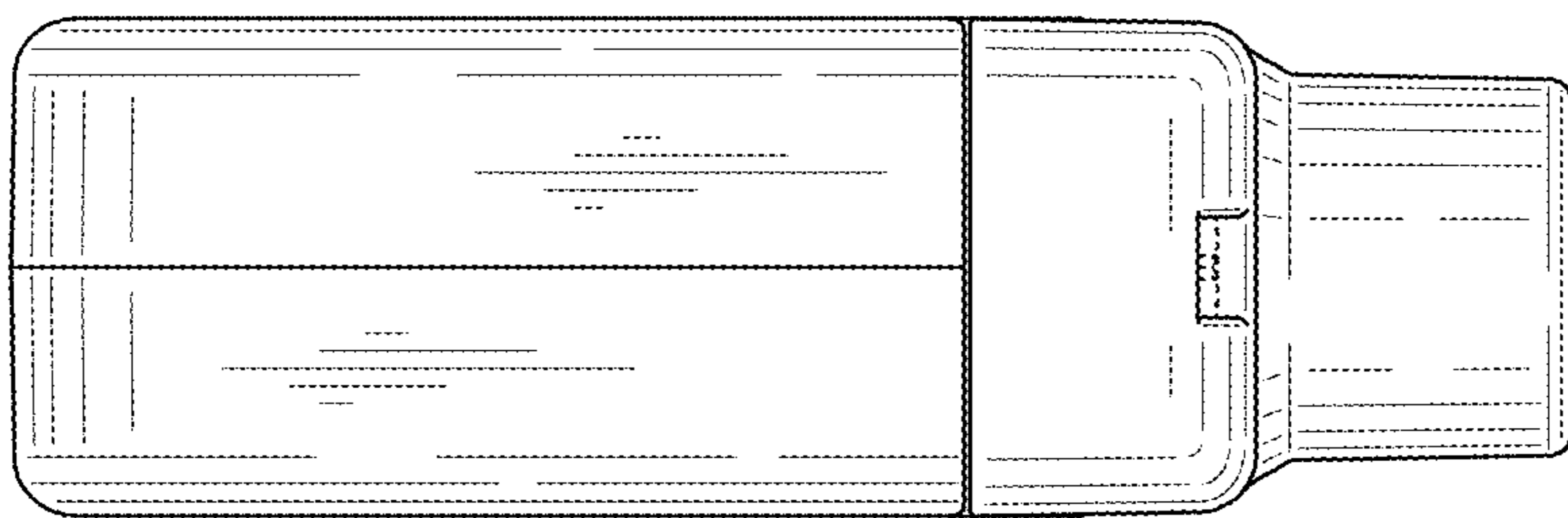


FIG. 13

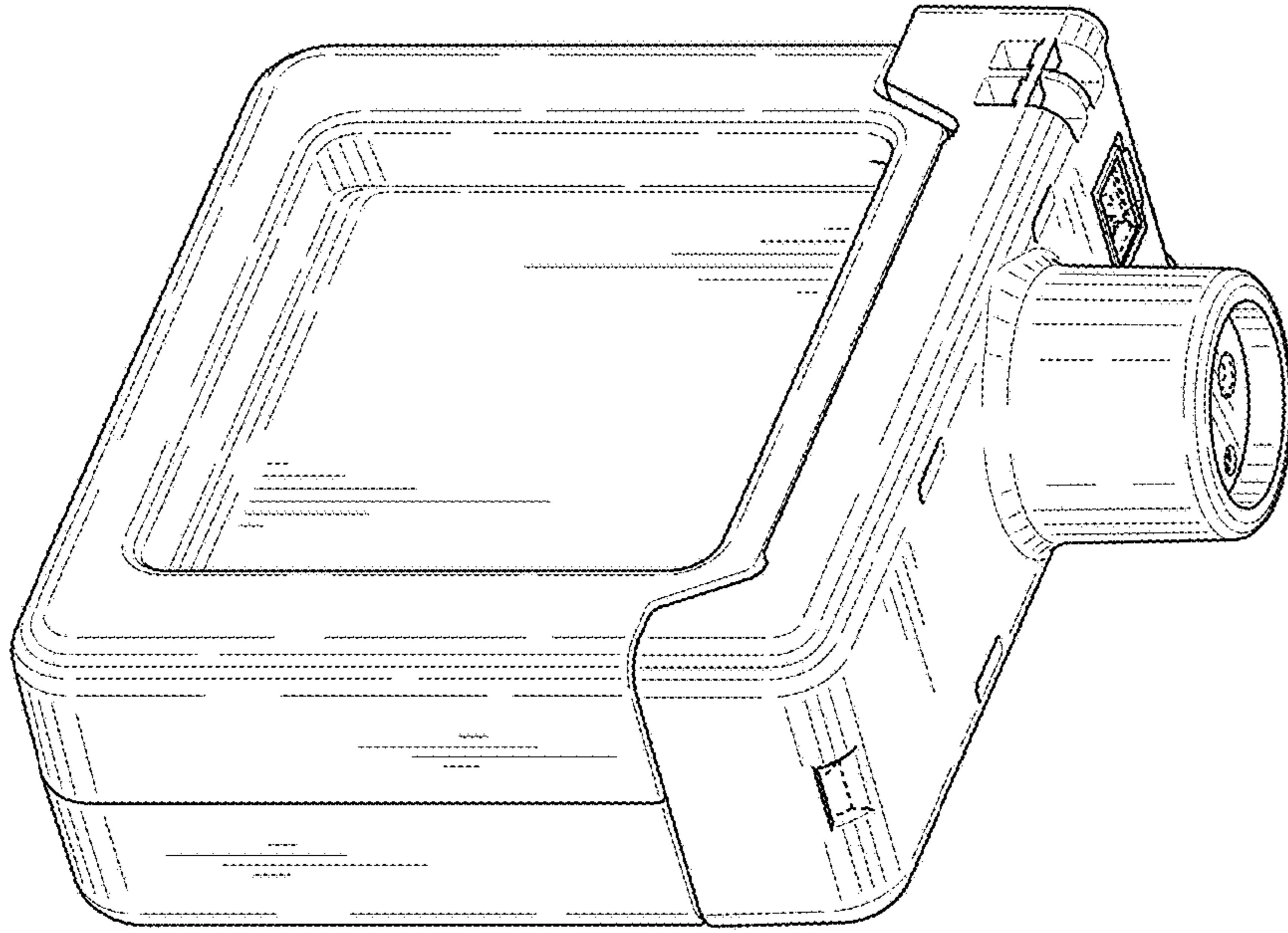


FIG. 16

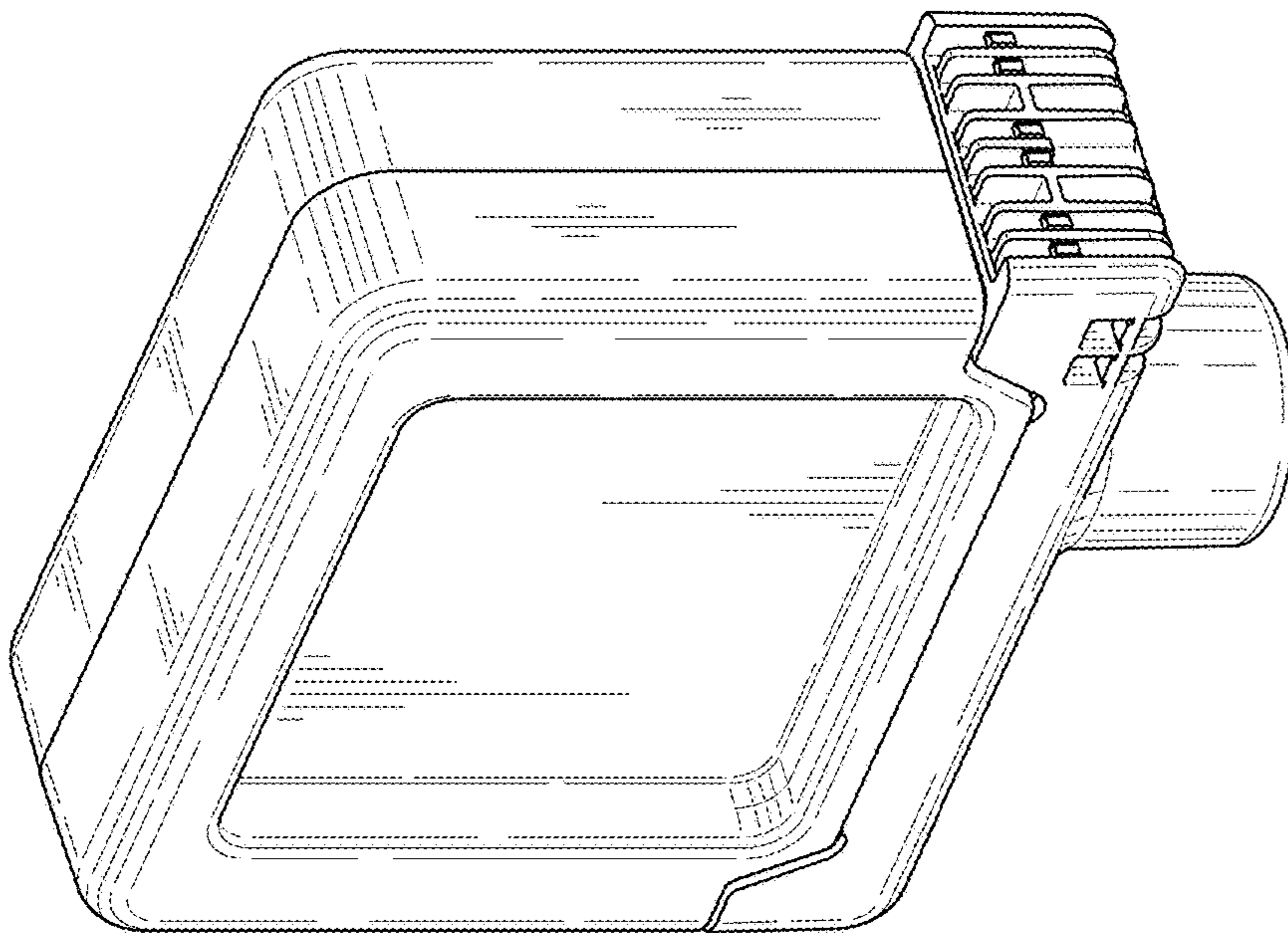


FIG. 15