



US00D791866S

(12) **United States Design Patent**  
**Kamoshida**

(10) **Patent No.:** **US D791,866 S**

(45) **Date of Patent:** **\*\* Jul. 11, 2017**

(54) **BEARING MEMBER FOR CARTRIDGE**

H04N 1/00204; H04N 1/00249; H04N 1/00278; H04N 1/00602; H04N 1/00631

See application file for complete search history.

(71) Applicant: **Canon Kabushiki Kaisha**, Ohta-ku, Tokyo (JP)

(72) Inventor: **Shigemi Kamoshida**, Tokyo (JP)

(73) Assignee: **Canon Kabushiki Kaisha**, Tokyo (JP)

(\*\*) Term: **15 Years**

(21) Appl. No.: **29/552,156**

(22) Filed: **Jan. 20, 2016**

(30) **Foreign Application Priority Data**

Jul. 22, 2015 (JP) ..... 2015-016286

(51) **LOC (10) Cl.** ..... **16-03**

(52) **U.S. Cl.**  
USPC ..... **D18/43**

(58) **Field of Classification Search**

USPC ..... D18/36, 37, 39, 40, 41, 44, 45, 46, 47, D18/48, 49, 50, 51, 52, 53, 54, 55, 56; D14/462, 463, 464, 465, 466, 467, 468, D14/469, 470, 471, 301, 307, 129, 130  
CPC ..... B41J 3/00; B41J 3/28; B41J 3/445; B41J 3/46; B65H 11/00; B65H 11/002; B65H 2301/331; B65H 29/46; G03B 27/04; G03B 27/08; G03B 27/14; G03B 27/16; G03G 15/00; G03G 15/04; G03G 15/23; G03G 15/28; G03G 15/50; G03G 15/55; G03G 15/60; G03G 15/65; G03G 15/221; G03G 15/5075; G03G 15/6558; G03G 15/0832; G03G 15/0834; G03G 15/0836; G03G 15/0837; G03G 15/0877; G03G 15/0867; G03G 15/0868; G03G 15/0872; G03G 15/0898; G03G 15/5016; G03G 15/0841; G03G 21/1853; G03G 21/20; G03G 21/18; G03G 21/08; G03G 21/16; G03G 2221/1654; G03G 2221/183; G03G 2221/1684; G03G 2221/1645; G03F 7/70716; G06K 15/12; G06K 15/14;

(56) **References Cited**

U.S. PATENT DOCUMENTS

5,758,231 A \* 5/1998 Coffey ..... G03G 15/0898 220/371  
5,875,378 A \* 2/1999 Campbell ..... G03G 15/0896 399/119  
5,913,097 A \* 6/1999 Nakano ..... G03G 15/0822 366/309  
6,064,843 A \* 5/2000 Isobe ..... G03G 21/1825 399/111  
9,116,468 B2 \* 8/2015 Terazawa ..... G03G 15/0879

(Continued)

*Primary Examiner* — Barbara Fox

*Assistant Examiner* — Mary C Ramirez

(74) *Attorney, Agent, or Firm* — Fitzpatrick, Cella, Harper & Scinto

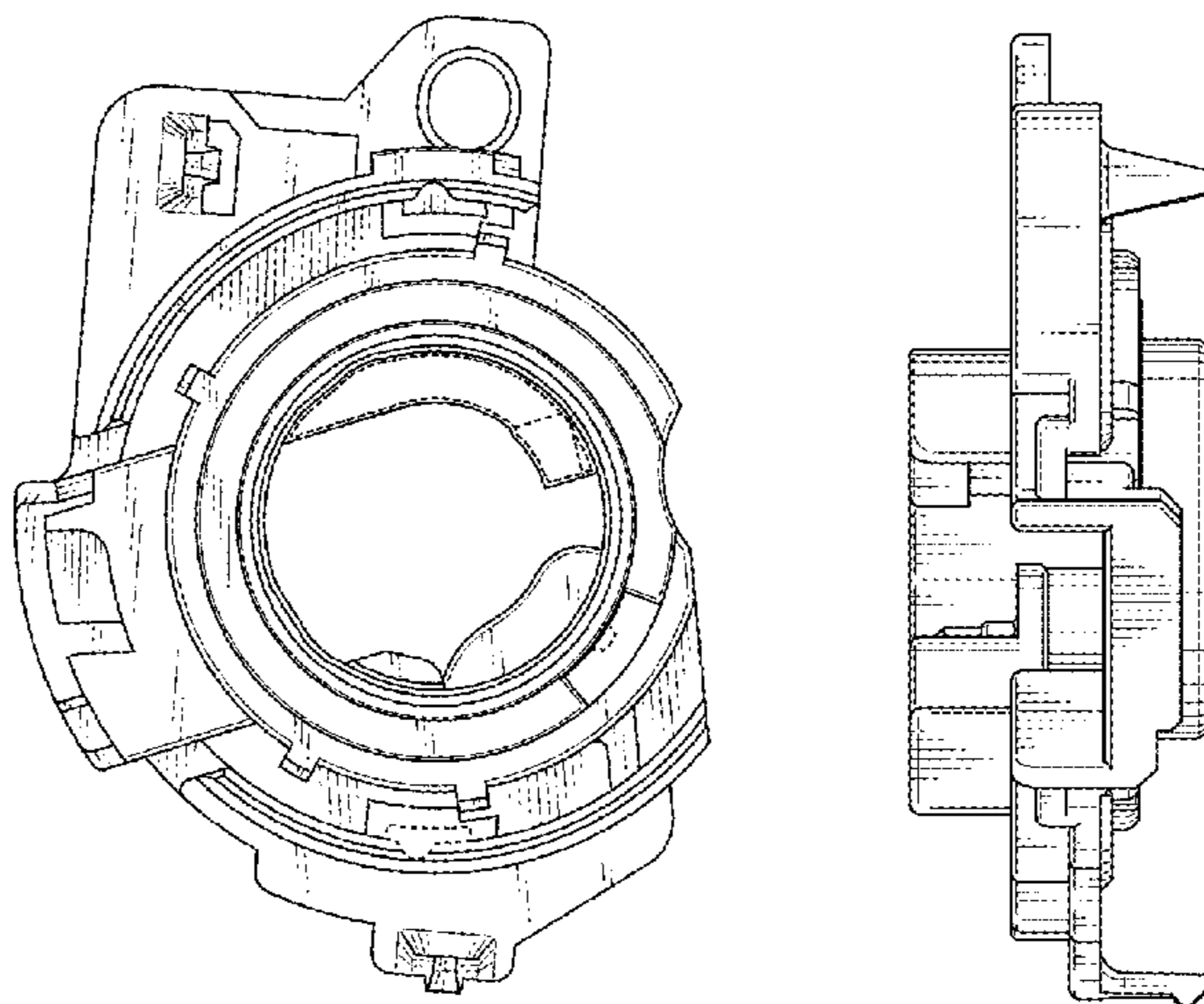
(57) **CLAIM**

The ornamental design for a bearing member for cartridge, as shown and described.

**DESCRIPTION**

FIG. 1 is a front view of a bearing member for cartridge showing my new design;  
FIG. 2 is a rear view thereof;  
FIG. 3 is a top plan view thereof;  
FIG. 4 is a bottom plan view thereof;  
FIG. 5 is a left side view thereof;  
FIG. 6 is a right side view thereof;  
FIG. 7 is a front, right perspective view thereof; and,  
FIG. 8 is a rear, left perspective view thereof.  
The broken lines shown in the drawings illustrate portions of the bearing member for cartridge that form no part of the claimed design.

**1 Claim, 4 Drawing Sheets**



(56)

**References Cited**

U.S. PATENT DOCUMENTS

9,128,412 B2 \* 9/2015 Leemhuis ..... G03G 15/0865  
9,411,266 B2 \* 8/2016 Shinohara ..... G03G 15/0877  
2002/0044794 A1 \* 4/2002 Nishiuwatoko ..... F16D 1/101  
399/167  
2005/0254860 A1 \* 11/2005 Kimura ..... G03G 15/0872  
399/227  
2008/0260428 A1 \* 10/2008 Ueno ..... G03G 15/757  
399/167  
2011/0243579 A1 \* 10/2011 Oshikawa ..... G03G 21/1875  
399/12  
2012/0045244 A1 \* 2/2012 Komatsu ..... G03G 15/0839  
399/119  
2013/0216273 A1 \* 8/2013 Koshimori ..... G03G 15/0886  
399/262  
2013/0243472 A1 \* 9/2013 Yamashita ..... G03G 21/206  
399/98  
2016/0223948 A1 \* 8/2016 Fukamachi ..... G03G 15/0875

\* cited by examiner

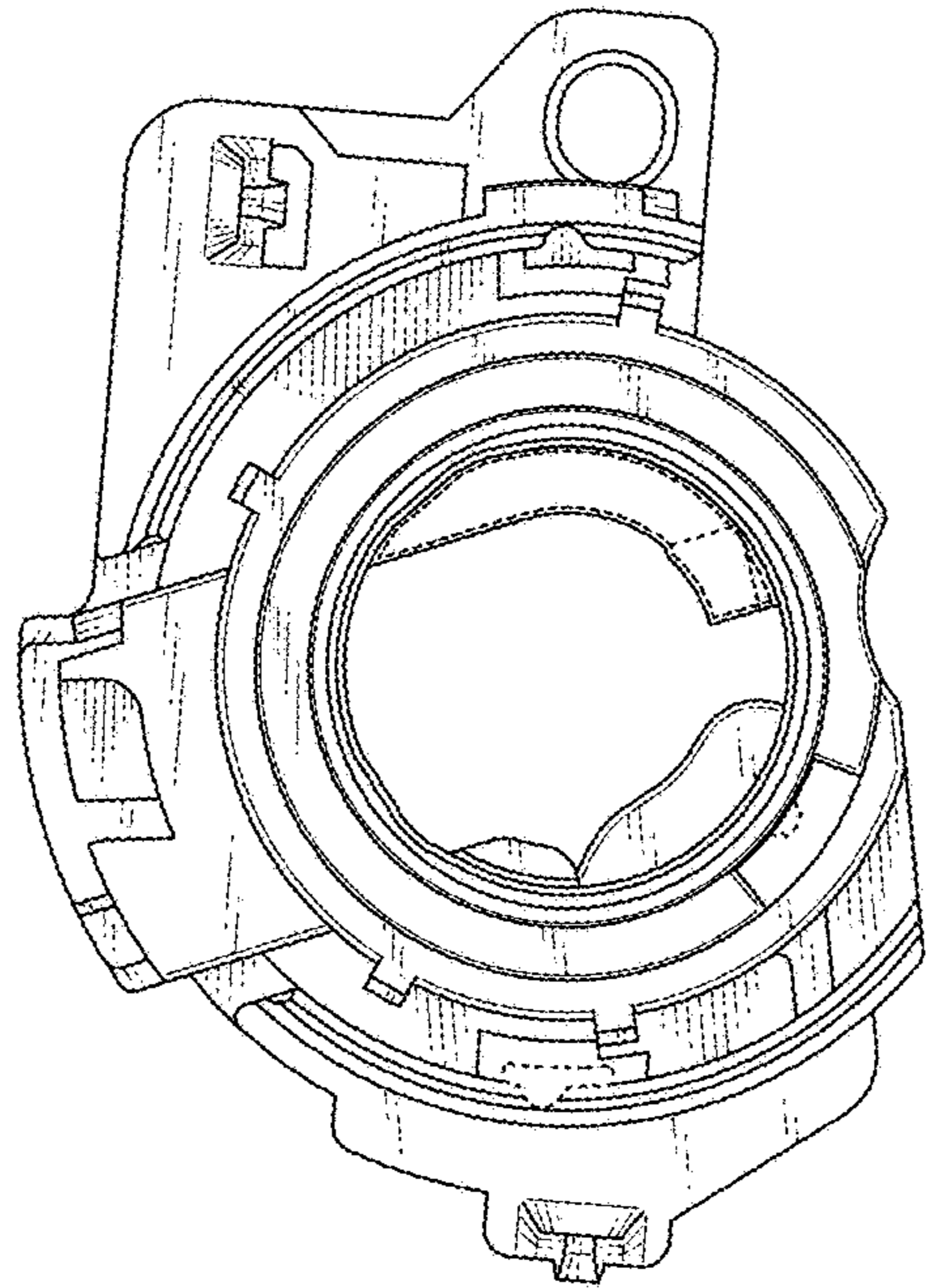


FIG. 1

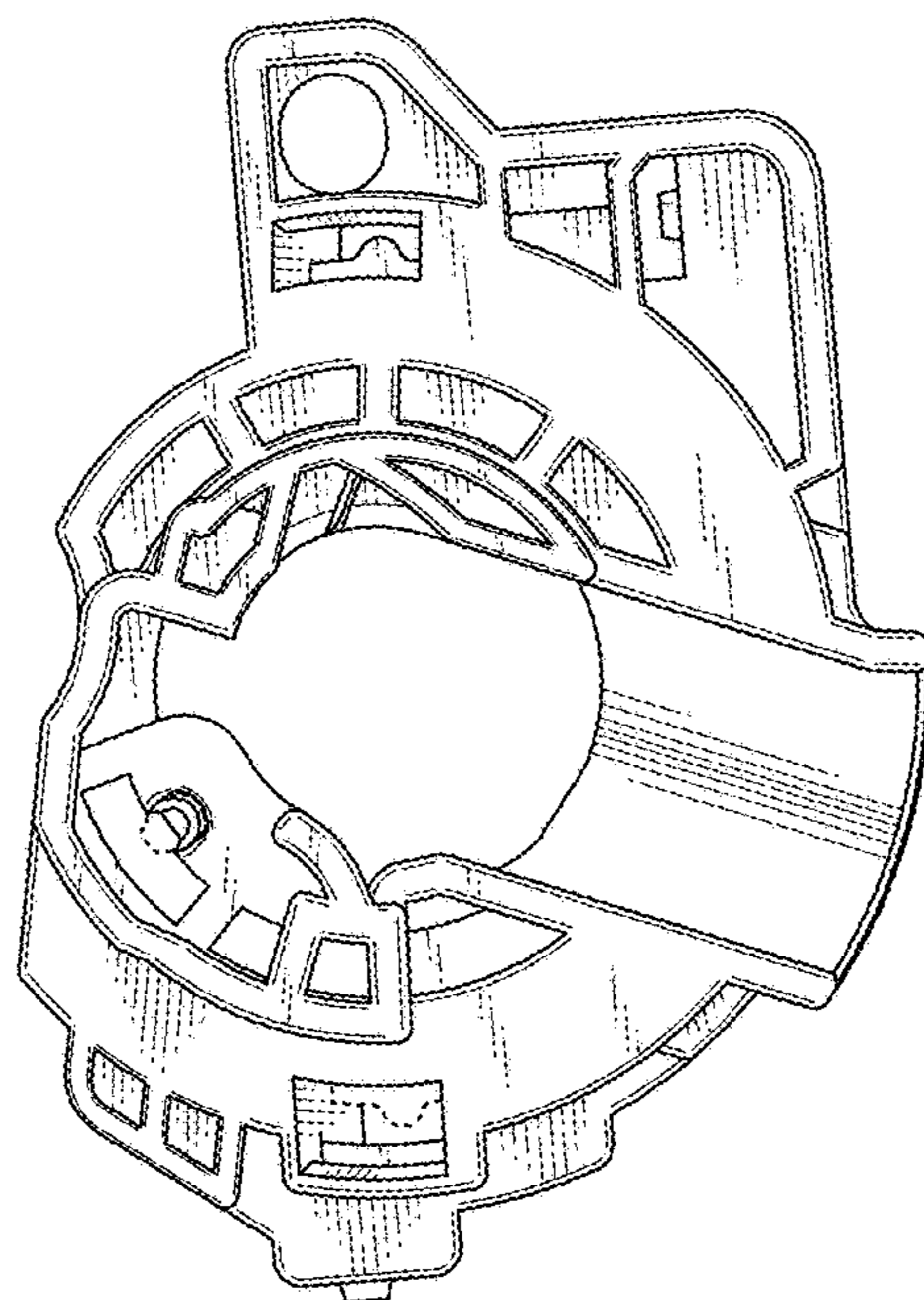
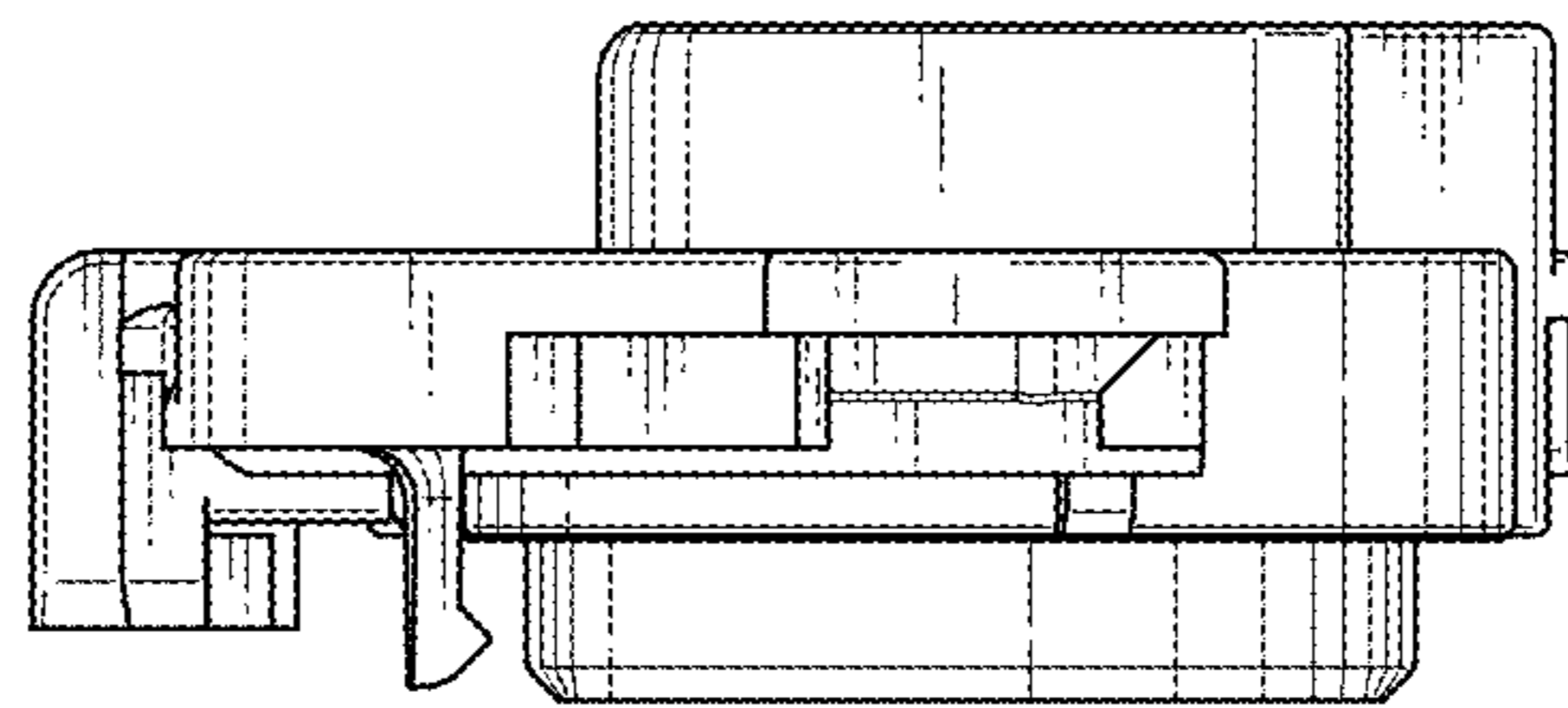
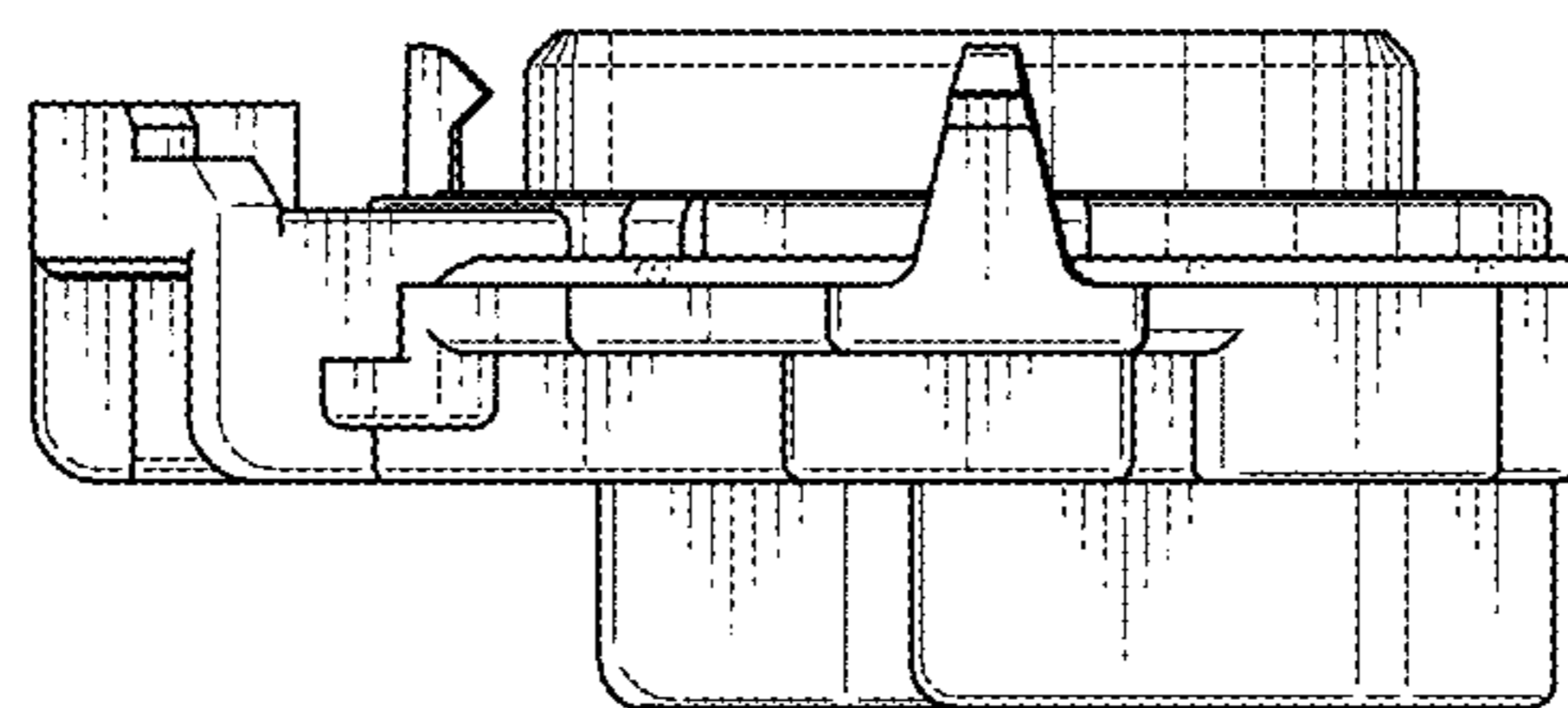


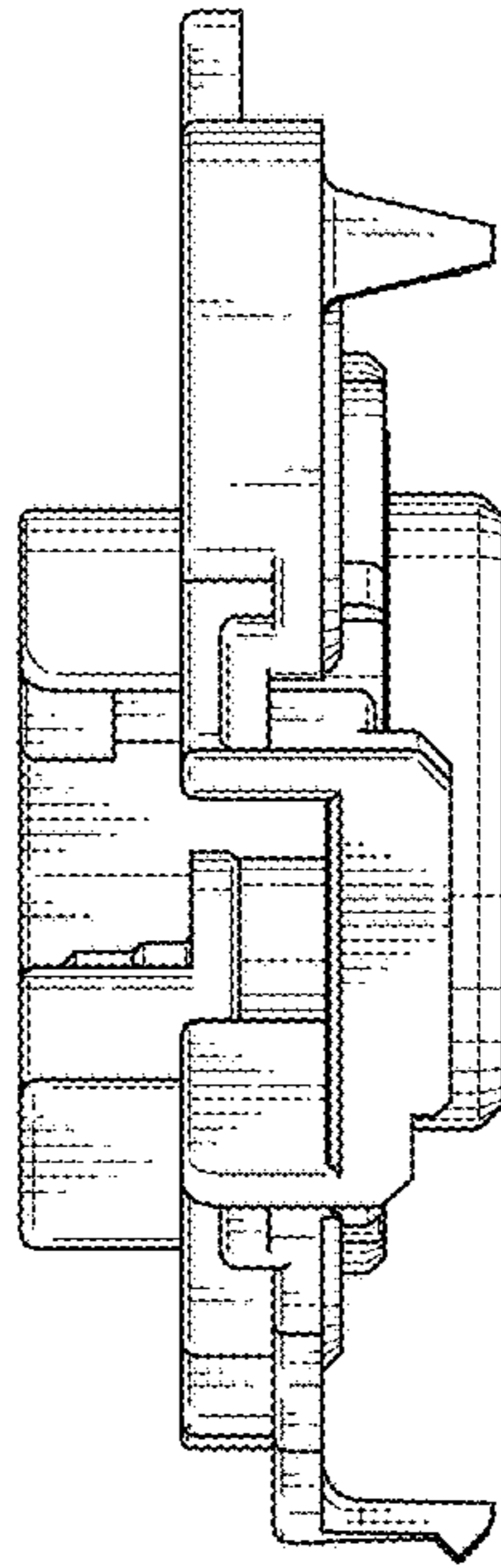
FIG. 2



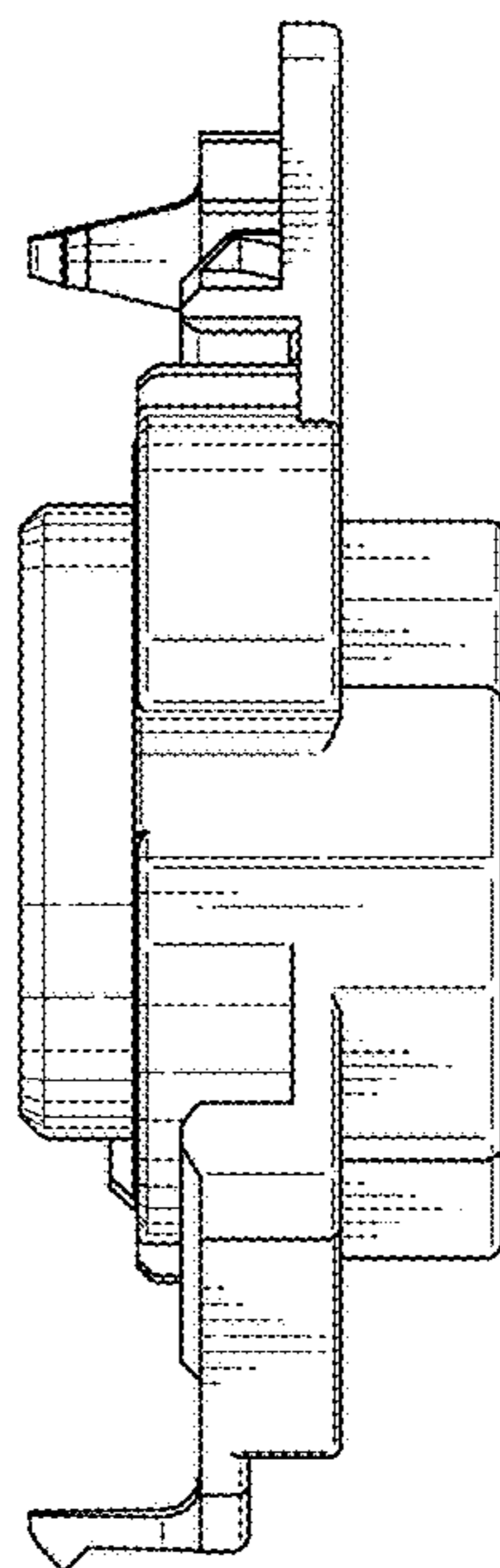
*FIG. 3*



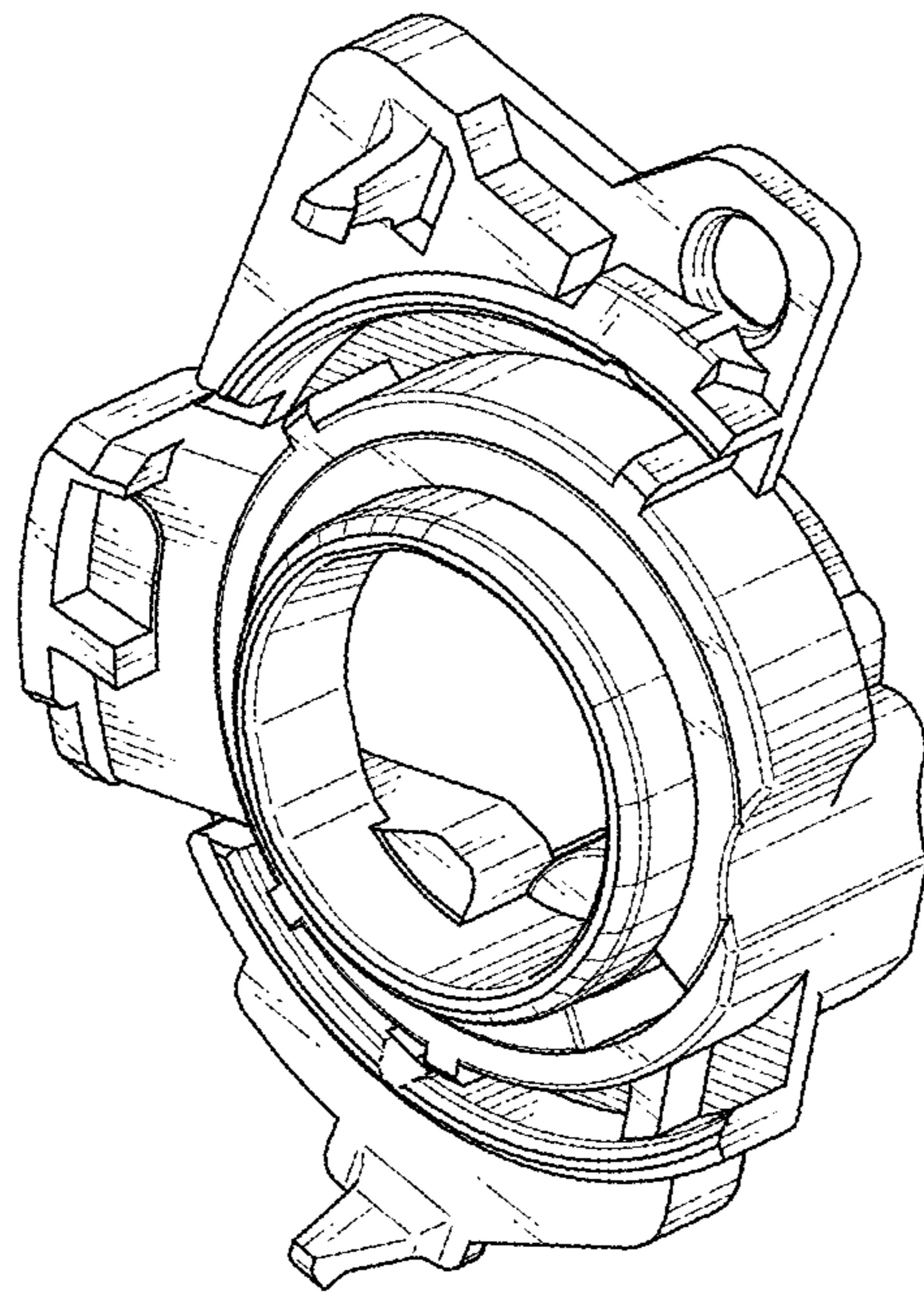
*FIG. 4*



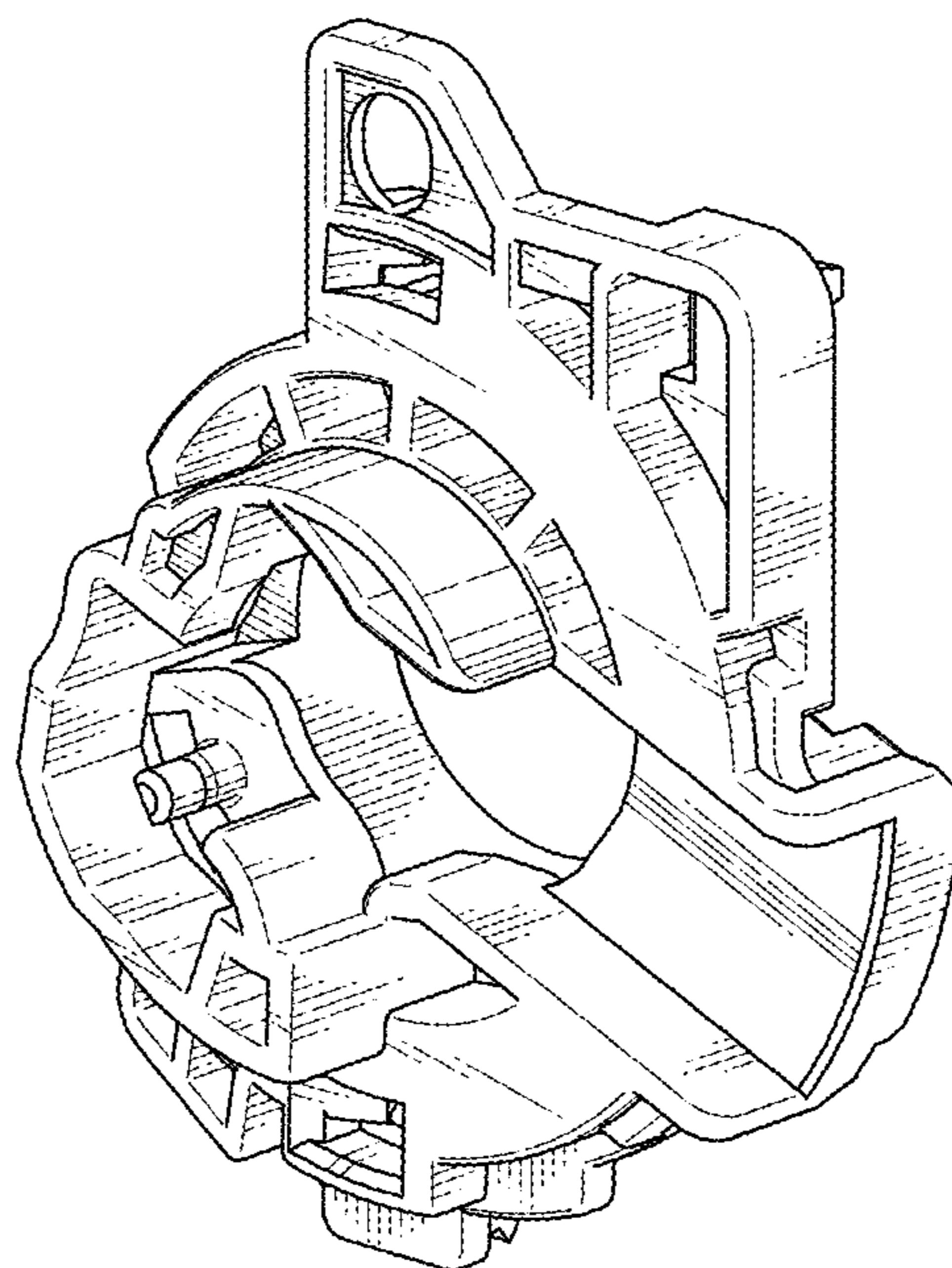
*FIG. 5*



*FIG. 6*



**FIG. 7**



**FIG. 8**