



US00D791865S

(12) **United States Design Patent**  
**Yoshii**

(10) **Patent No.:** **US D791,865 S**  
(45) **Date of Patent:** **\*\* Jul. 11, 2017**

(54) **TONER CARTRIDGE**  
(71) Applicant: **KYOCERA DOCUMENT SOLUTIONS INC.**, Osaka-shi, Osaka (JP)  
(72) Inventor: **Tatsuhiko Yoshii**, Osaka (JP)  
(73) Assignee: **KYOCERA DOCUMENT SOLUTIONS INC.**, Osaka (JP)  
(\*\*) Term: **15 Years**  
(21) Appl. No.: **29/541,033**  
(22) Filed: **Sep. 30, 2015**

(30) **Foreign Application Priority Data**  
Mar. 31, 2015 (JP) ..... 2015-007094  
(51) **LOC (10) Cl.** ..... **16-03**  
(52) **U.S. Cl.**  
USPC ..... **D18/43**  
(58) **Field of Classification Search**  
USPC ..... D18/12, 18, 36, 43, 56, 99; D14/309, D14/332, 471; 399/11, 92, 106, 110, 399/111; 222/DIG. 1  
See application file for complete search history.

(56) **References Cited**  
**U.S. PATENT DOCUMENTS**  
2,904,000 A \* 9/1959 Fisher ..... G03G 15/09 118/308  
D365,846 S \* 1/1996 Nishimura ..... D18/40  
D379,829 S \* 6/1997 Hayashi ..... D18/43  
5,761,586 A \* 6/1998 Kawashima ..... G03G 15/0875 222/DIG. 1  
6,131,007 A \* 10/2000 Yamaguchi ..... G03G 15/0822 399/111

6,385,416 B1 \* 5/2002 Horikawa ..... G03G 15/0208 399/111  
6,389,250 B1 \* 5/2002 Numagami ..... G03G 15/0896 399/111  
6,442,359 B1 \* 8/2002 Numagami ..... G03G 21/1821 399/111  
7,142,795 B2 \* 11/2006 Sugiyama ..... H04N 1/2112 399/111  
D540,853 S \* 4/2007 Berardelli ..... 347/33  
7,302,213 B2 \* 11/2007 Kimura ..... G03G 15/0832 399/120  
D650,413 S \* 12/2011 Murata ..... D18/43  
D652,073 S \* 1/2012 Murata ..... D18/43  
8,543,033 B2 \* 9/2013 Morishita ..... G03G 21/1842 399/111  
8,565,651 B2 \* 10/2013 Fujii ..... G03G 21/1676 399/106

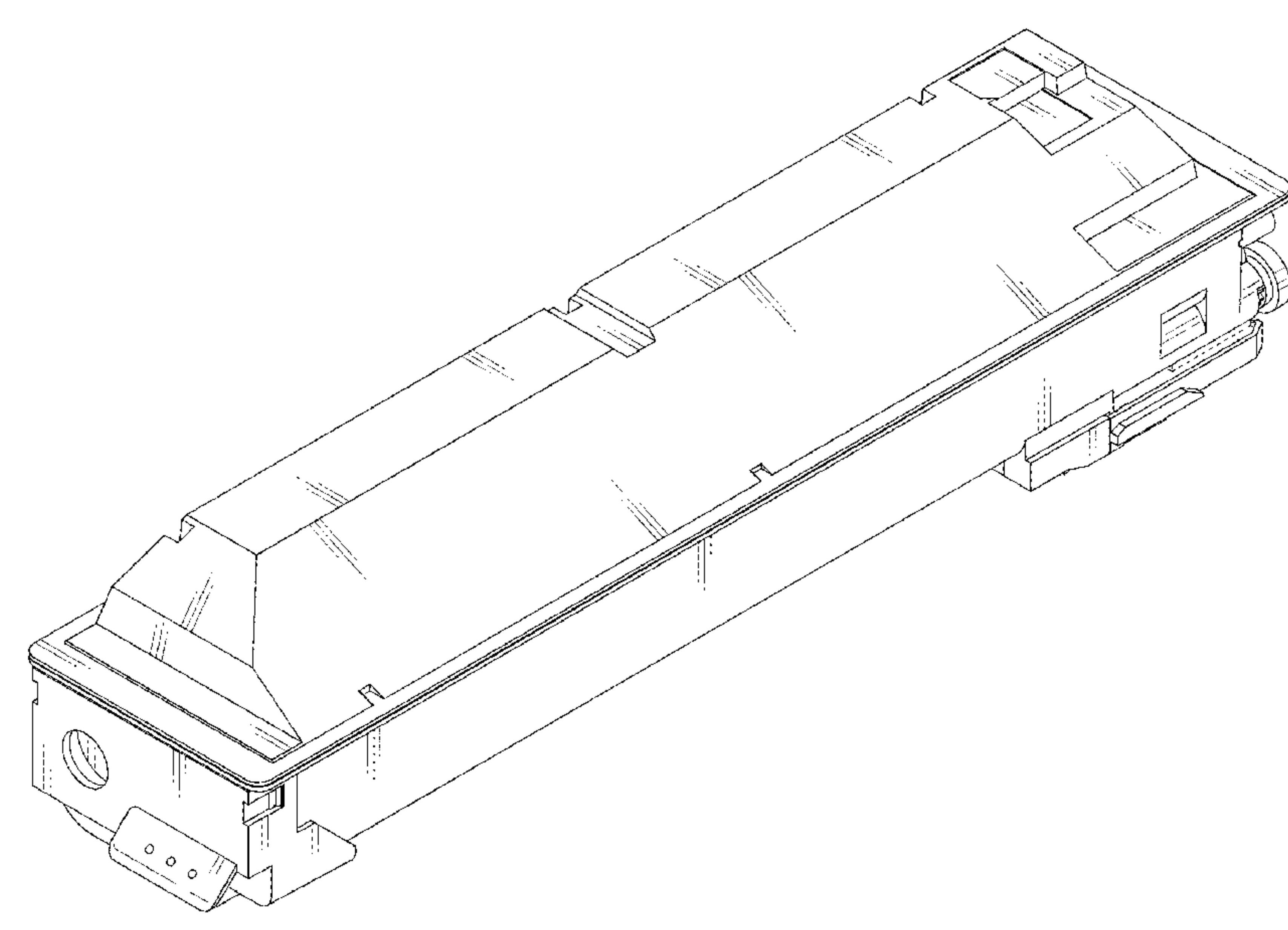
(Continued)

*Primary Examiner* — Barbara Fox  
*Assistant Examiner* — Mary C Ramirez  
(74) *Attorney, Agent, or Firm* — Young & Thompson

(57) **CLAIM**  
The ornamental design for a toner cartridge, as shown and described.

**DESCRIPTION**  
FIG. 1 is a perspective view of front, left and top of toner cartridge showing my new design;  
FIG. 2 is a perspective view of rear, right and bottom thereof;  
FIG. 3 is a front view thereof;  
FIG. 4 is a rear view thereof;  
FIG. 5 is a left side view thereof;  
FIG. 6 is a right side view thereof;  
FIG. 7 is a top plan view thereof; and,  
FIG. 8 is a bottom plan view thereof.  
The broken lines shown in the drawings illustrate portions of the toner cartridge that form no part of the claimed design.

**1 Claim, 5 Drawing Sheets**



(56)

**References Cited**

U.S. PATENT DOCUMENTS

D728,012	S *	4/2015	Yoshii	.....	D18/43
9,158,232	B2 *	10/2015	Yoshii	.....	G03G 15/0832
9,201,344	B2 *	12/2015	Sato	.....	G03G 15/0867
D746,904	S *	1/2016	Kitagawa	.....	D18/43
9,280,090	B2 *	3/2016	Kimura	.....	G03G 15/0832
2007/0269225	A1 *	11/2007	Sato	.....	G03G 15/0839 399/12
2009/0067888	A1 *	3/2009	Murata	.....	G03G 15/0877 399/263
2012/0243887	A1 *	9/2012	Murata	.....	G03G 15/0858 399/27
2012/0243913	A1 *	9/2012	Murata	.....	G03G 15/0875 399/263
2014/0140737	A1 *	5/2014	Yamanaka	.....	G03G 15/0886 399/260
2014/0147174	A1 *	5/2014	Yoshii	.....	G03G 15/0887 399/259

\* cited by examiner

Fig. 1

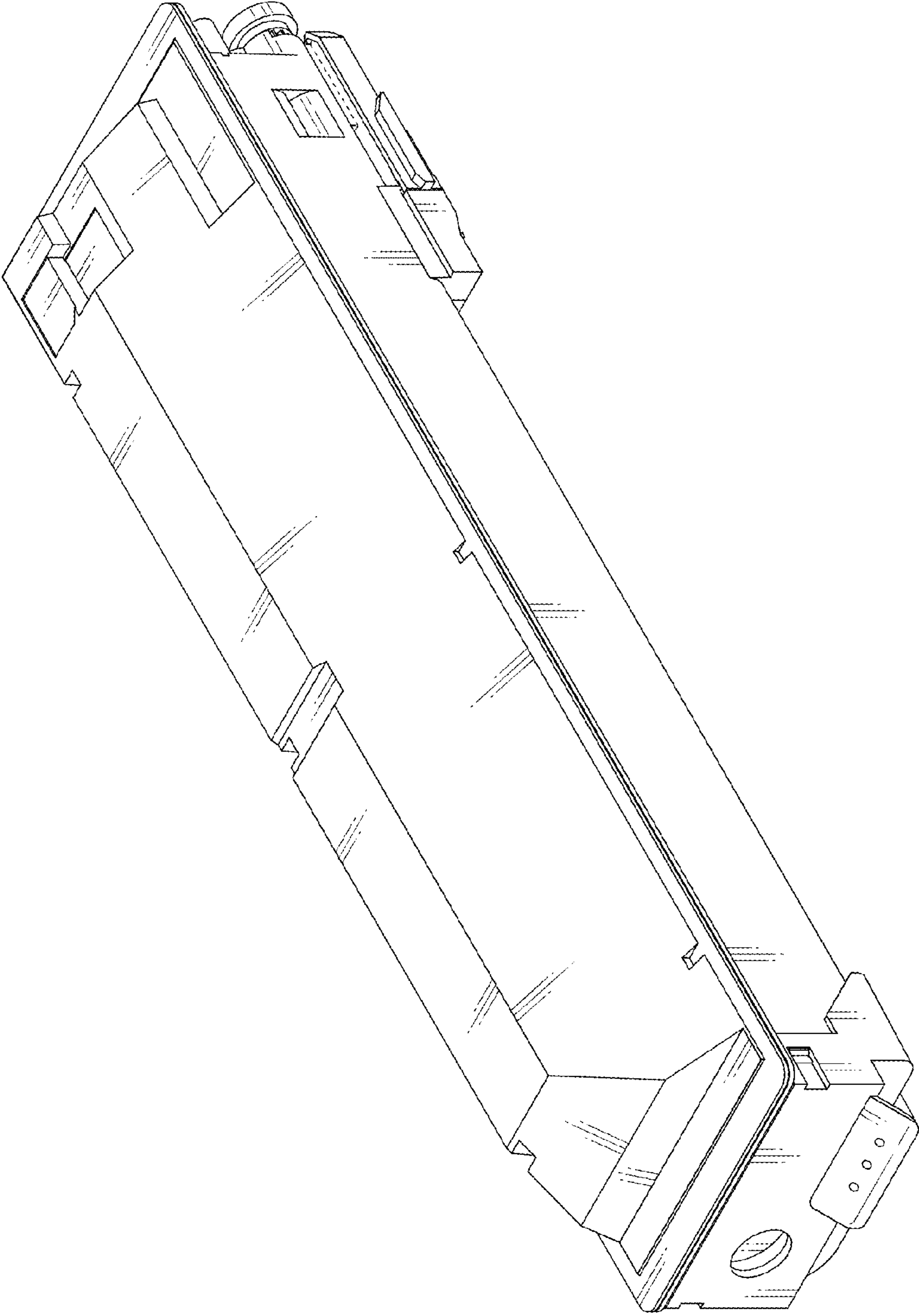


Fig. 2

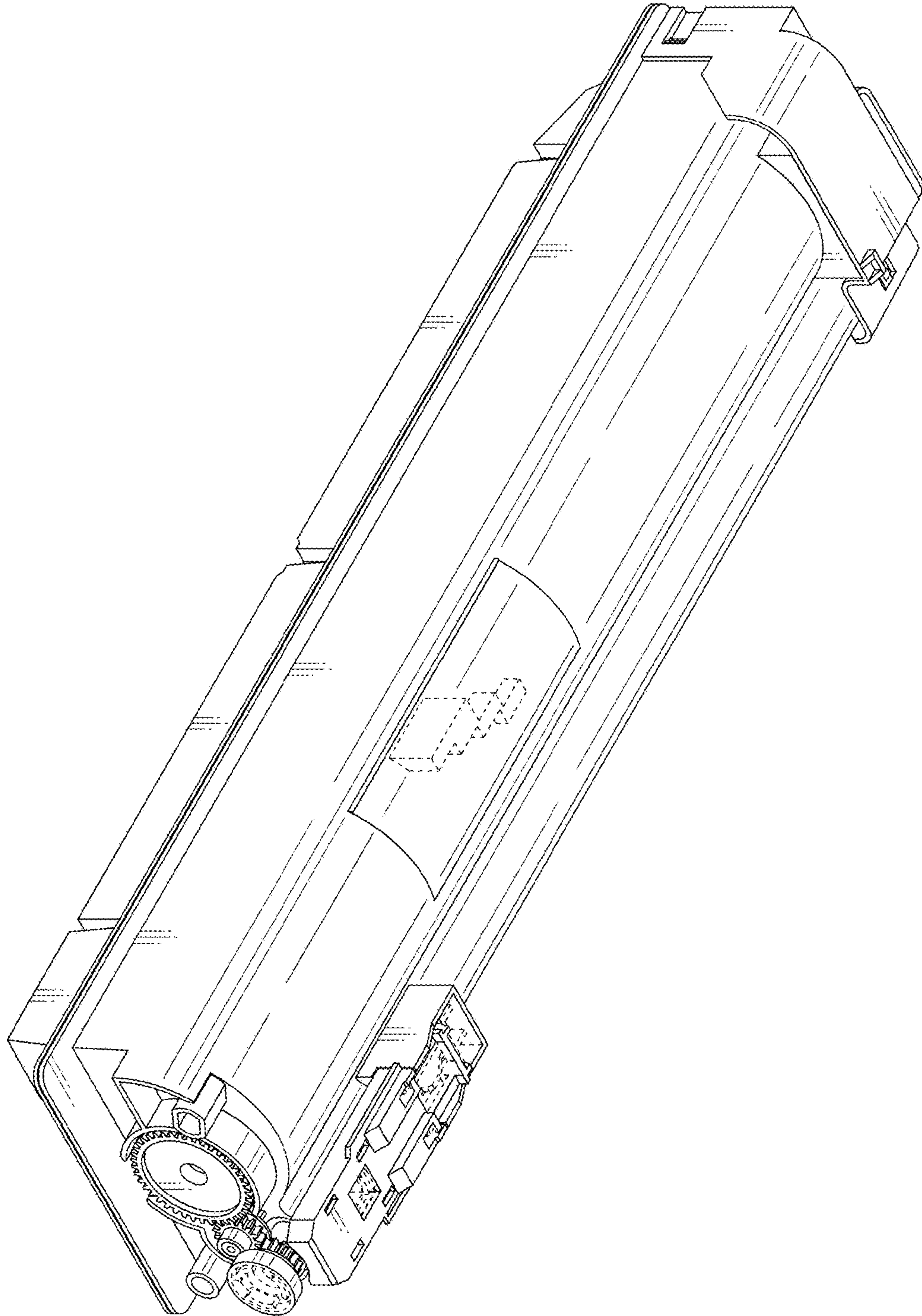




Fig. 3

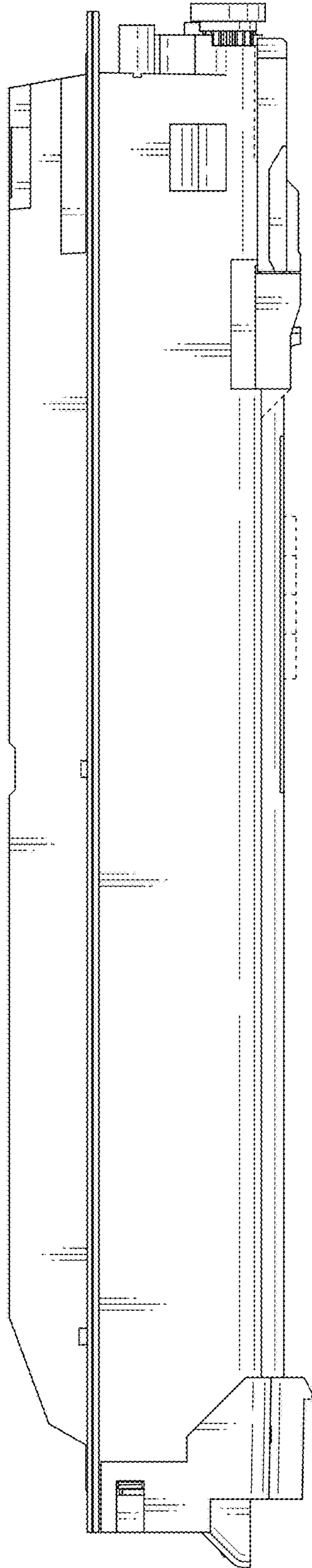


Fig. 4

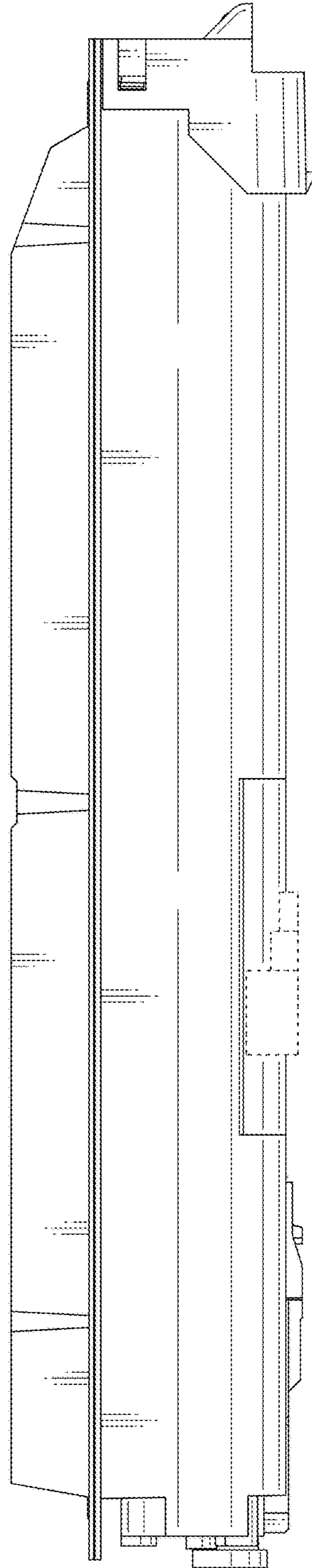


Fig. 6

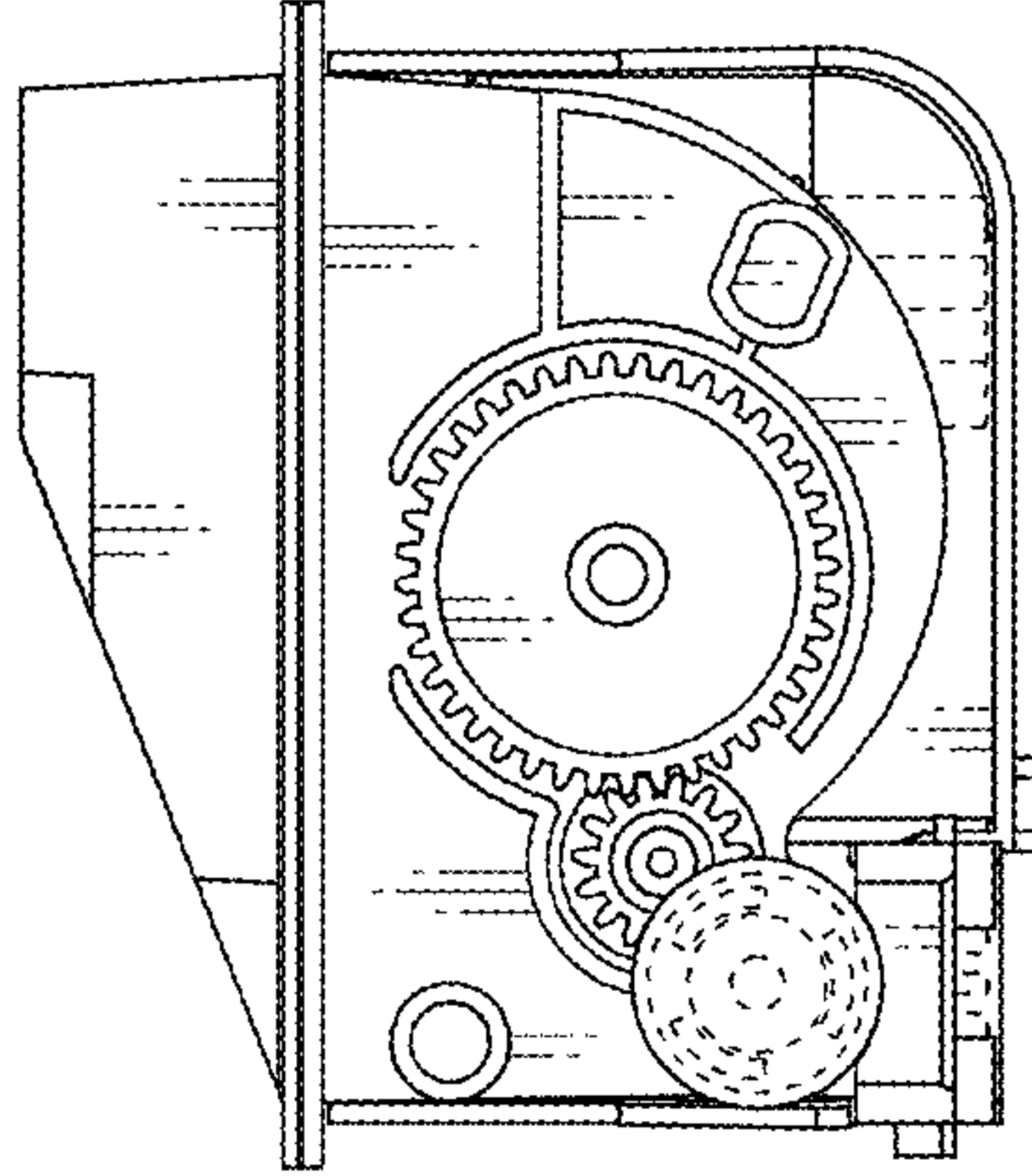


Fig. 5

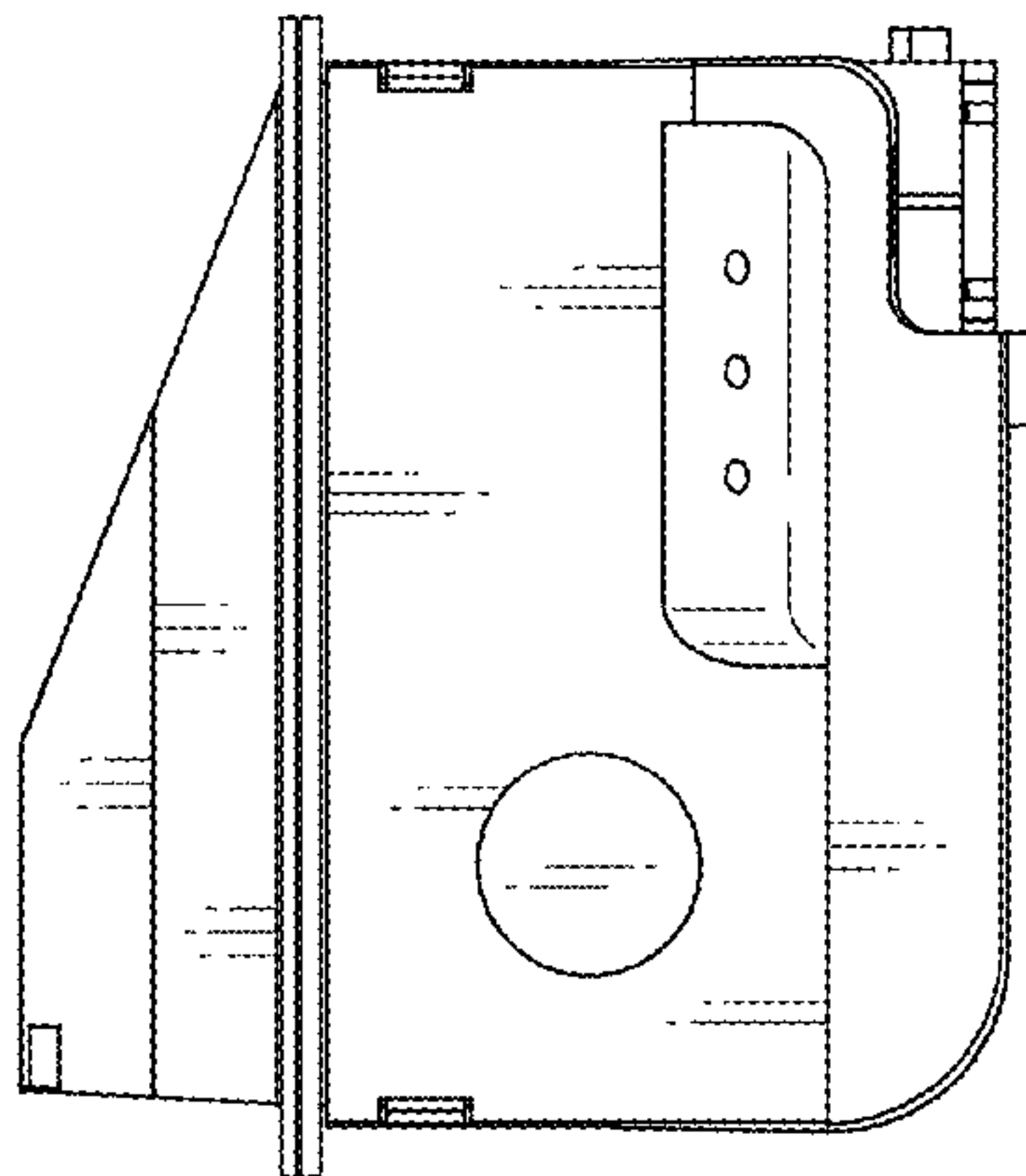


Fig. 7

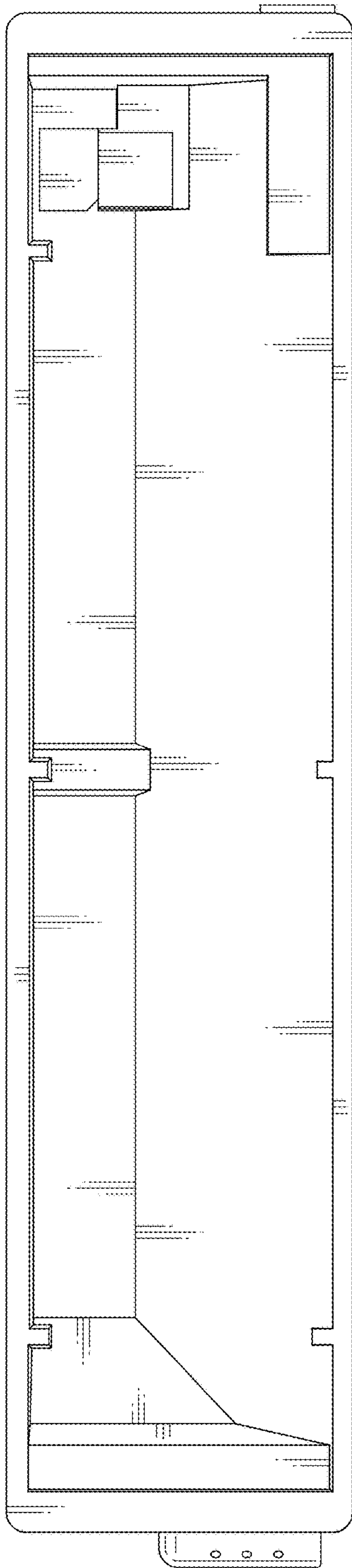


Fig. 8

