



US00D791864S

(12) **United States Design Patent**
Akaishi

(10) **Patent No.:** **US D791,864 S**
(45) **Date of Patent:** **** Jul. 11, 2017**

(54) **DRUM CARTRIDGE WITH TONER CONTAINER**

(71) Applicant: **CASIO KEISANKI KABUSHIKI KAISHA**, Shibuya-ku, Tokyo (JP)

(72) Inventor: **Akihito Akaishi**, Tokyo (JP)

(73) Assignee: **CASIO KEISANKI KABUSHIKI KAISHA**, Tokyo (JP)

(**) Term: **15 Years**

(21) Appl. No.: **29/539,567**

(22) Filed: **Sep. 15, 2015**

(30) **Foreign Application Priority Data**

Mar. 18, 2015 (JP) 2015-005785

(51) **LOC (10) Cl.** **16-03**

(52) **U.S. Cl.**
USPC **D18/43**

(58) **Field of Classification Search**
USPC D18/12, 18, 36, 43, 56, 99; D14/309,
D14/332, 471; 399/11, 92, 106, 110,
399/111; 222/DIG. 1
See application file for complete search history.

(56) **References Cited**

U.S. PATENT DOCUMENTS

- 5,075,727 A * 12/1991 Nakatomi G03G 15/0896
399/103
- D378,830 S * 4/1997 Kim D18/43
- D389,179 S * 1/1998 Uchiyama D18/56
- D552,163 S * 10/2007 Kouroku D18/43
- 8,693,924 B2 * 4/2014 Fujii G03G 15/0898
399/106
- 9,285,705 B2 * 3/2016 Jeong G03G 15/0862

- 2006/0045568 A1 * 3/2006 Kishi G03G 21/1857
399/111
- 2009/0028600 A1 * 1/2009 Oda G03G 15/0898
399/106
- 2012/0274992 A1 * 11/2012 Suzuki G03G 21/1885
358/474
- 2013/0084100 A1 * 4/2013 Nakasone G03G 21/1814
399/111

(Continued)

Primary Examiner — Barbara Fox

Assistant Examiner — Mary C Ramirez

(74) *Attorney, Agent, or Firm* — Holtz, Holtz & Volek PC

(57) **CLAIM**

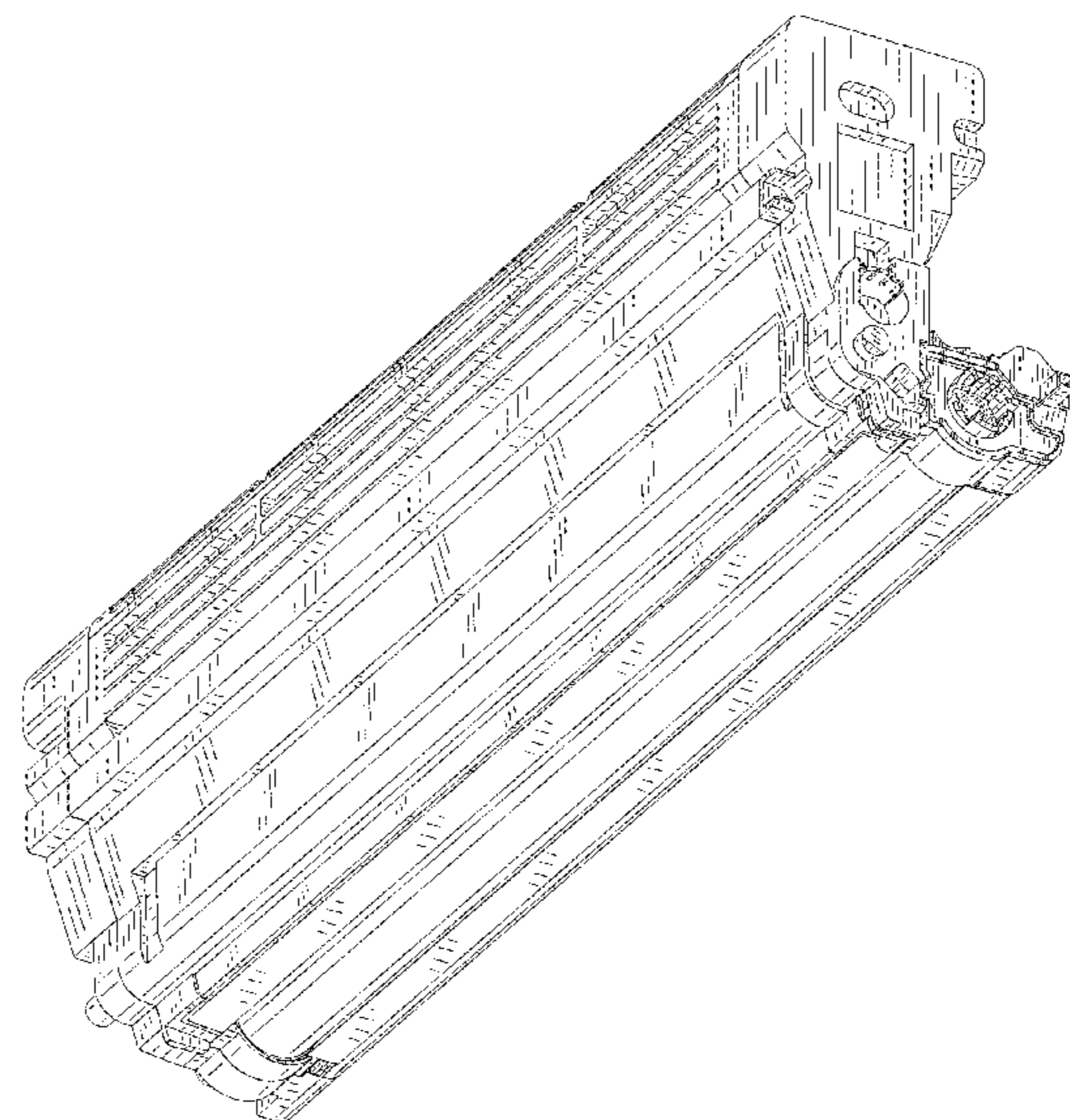
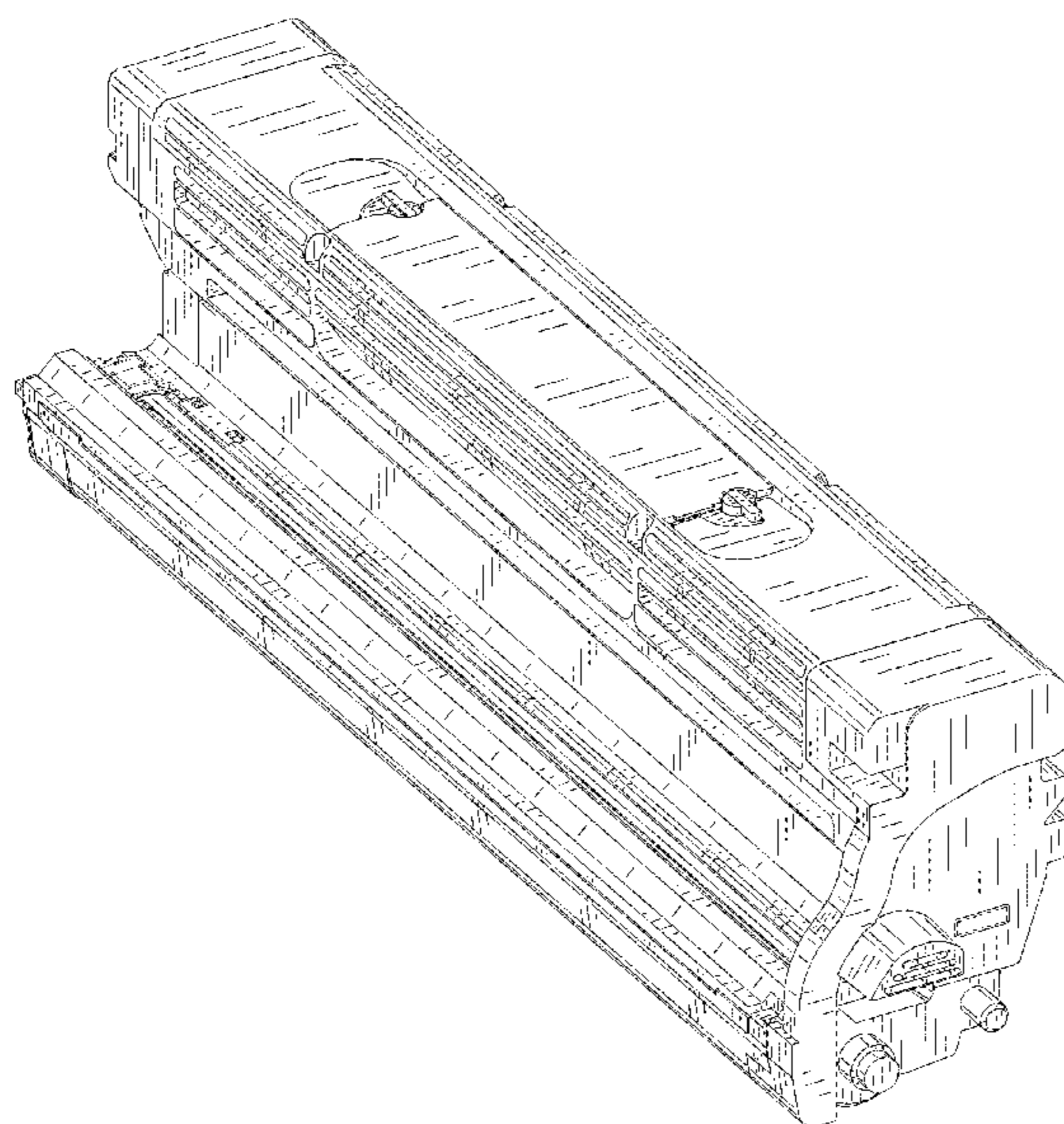
The ornamental design for a drum cartridge with toner container, as shown and described.

DESCRIPTION

FIG. 1 is a front, right side, top perspective view of a drum cartridge with toner container showing my new design;
 FIG. 2 is a rear, left side, bottom perspective view thereof;
 FIG. 3 is a front elevational view thereof;
 FIG. 4 is a rear elevational view thereof;
 FIG. 5 is a left side view thereof;
 FIG. 6 is a right side view thereof;
 FIG. 7 is a top plan view thereof;
 FIG. 8 is a bottom plan view thereof;
 FIG. 9 is an enlarged left side view thereof, rotated at a 90-degree angle;
 FIG. 10 is an enlarged right side view thereof, rotated at a 90-degree angle; and,
 FIG. 11 is an enlarged cross-sectional view thereof, taken along 11-11 of FIG. 3 with the internal structure omitted and rotated at a 90-degree angle.

The broken lines shown in the drawings illustrate portions of the drum cartridge with toner container that form no part of the claimed design.

1 Claim, 10 Drawing Sheets



(56)

References Cited

U.S. PATENT DOCUMENTS

2014/0003844 A1* 1/2014 Oda G03G 15/0839
399/263
2015/0323897 A1* 11/2015 Park G03G 21/1817
399/111
2015/0355573 A1* 12/2015 Jeong G03G 15/0862
399/58

* cited by examiner

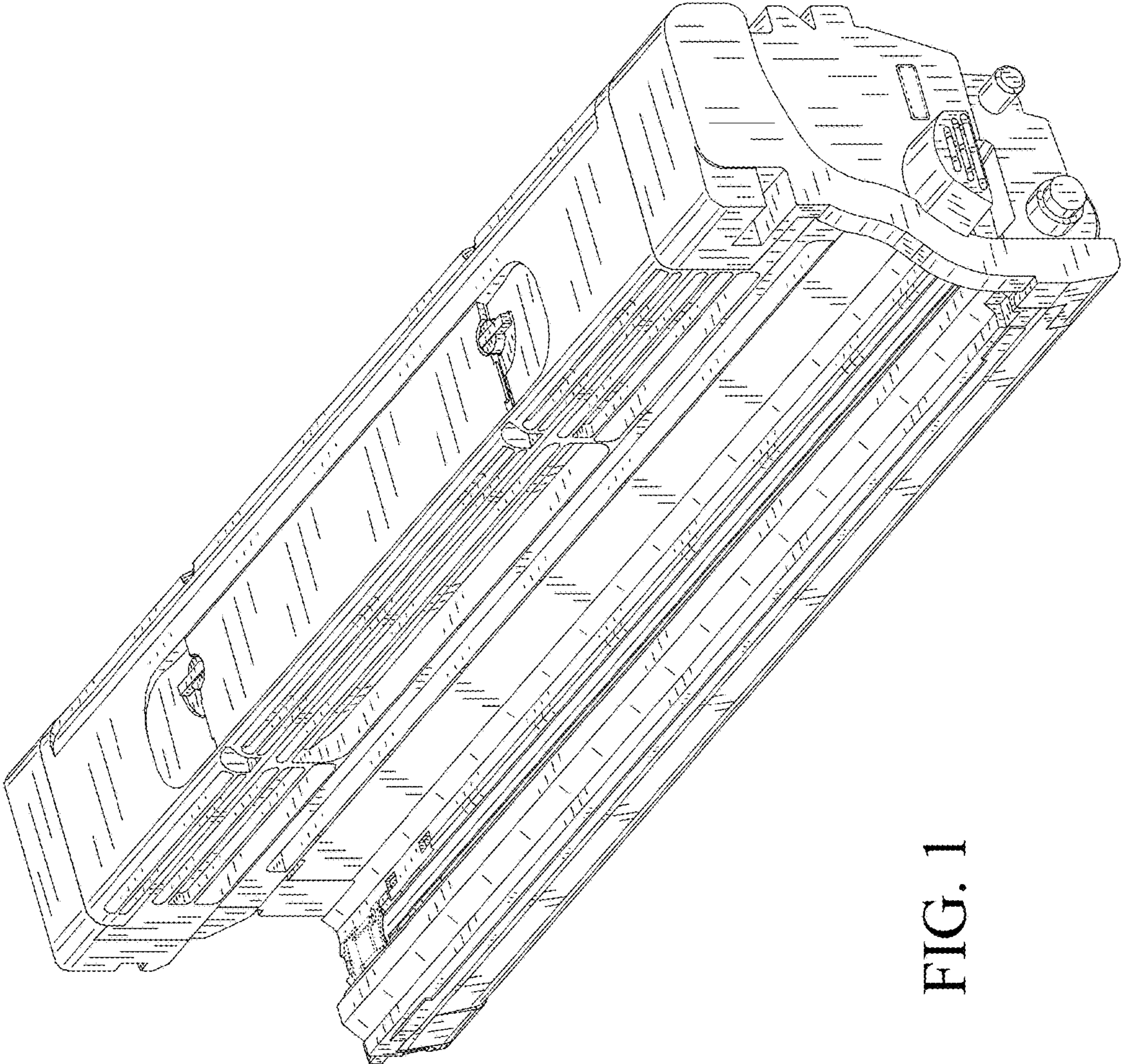


FIG. 1

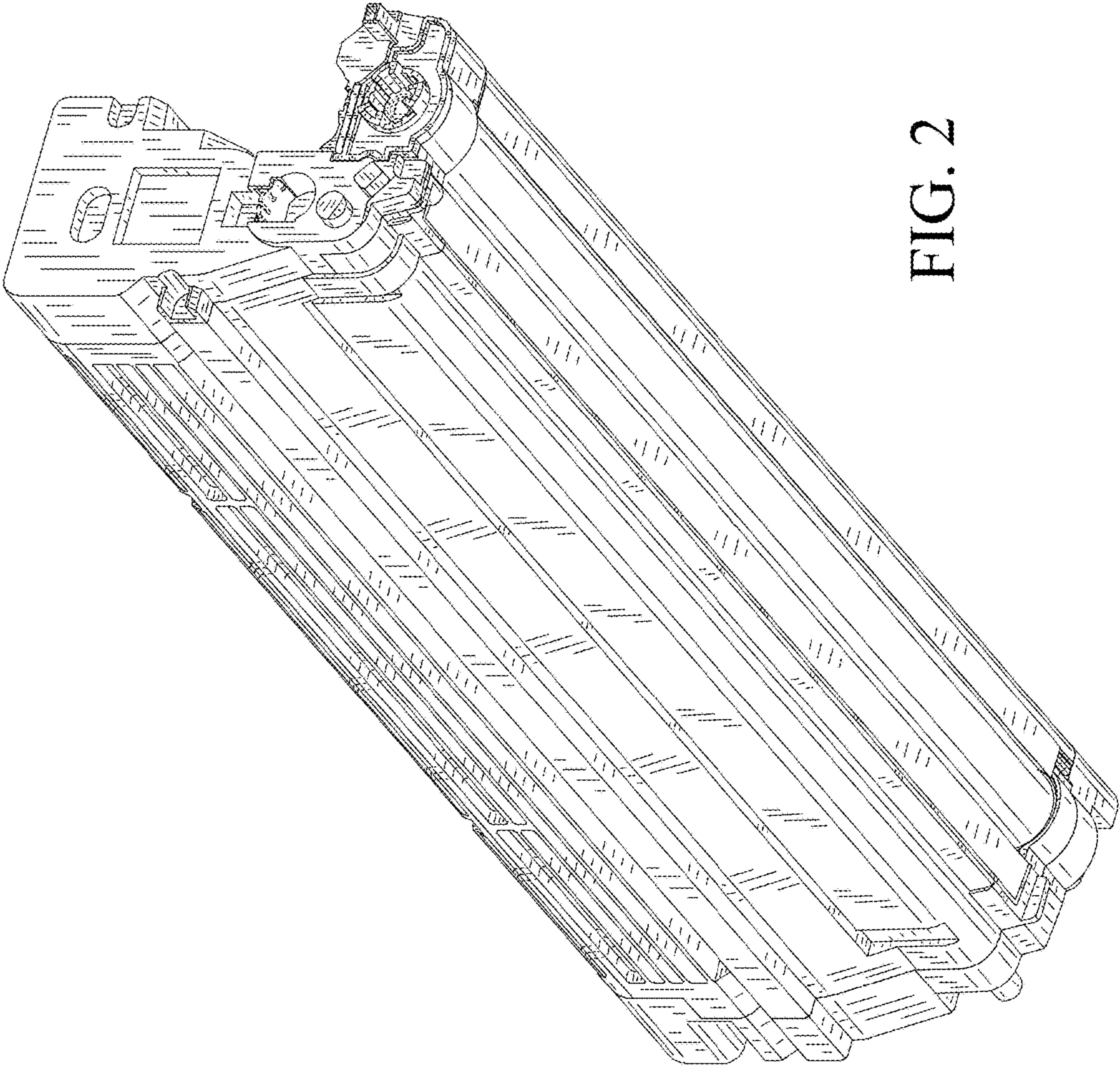


FIG. 2

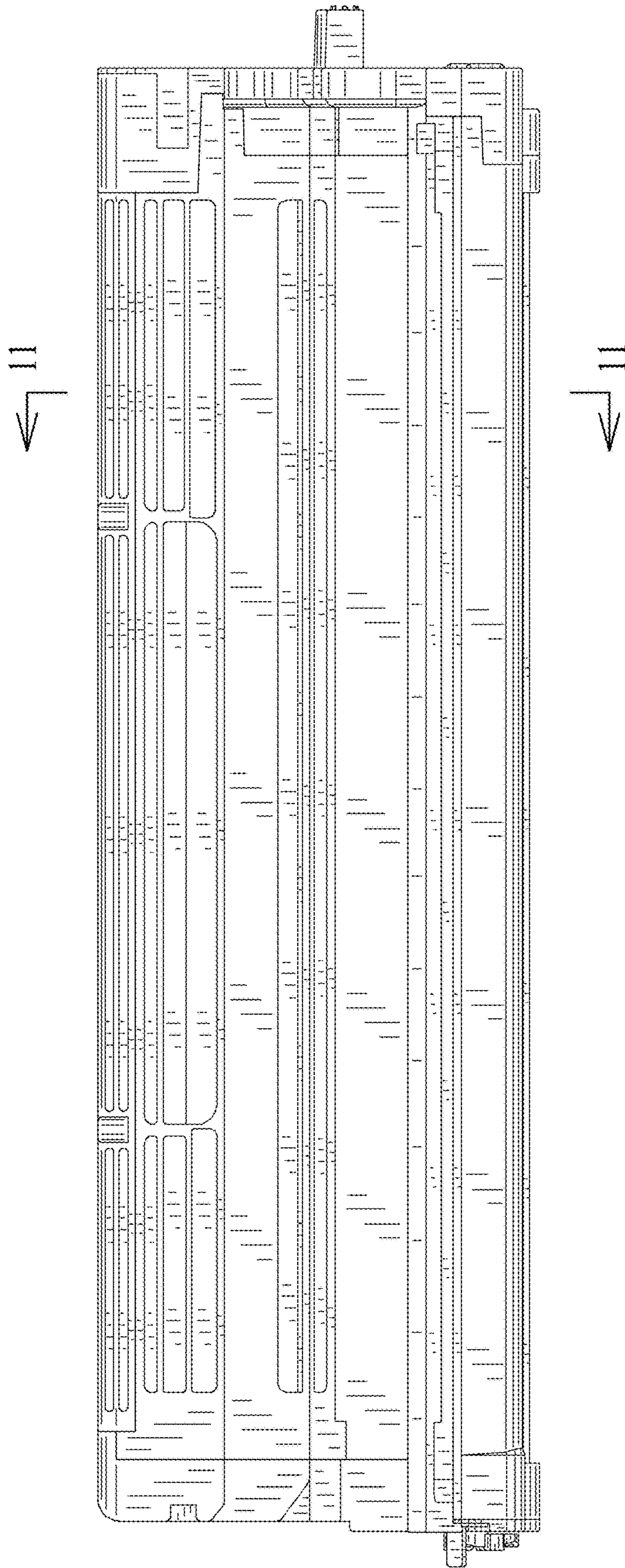


FIG. 3

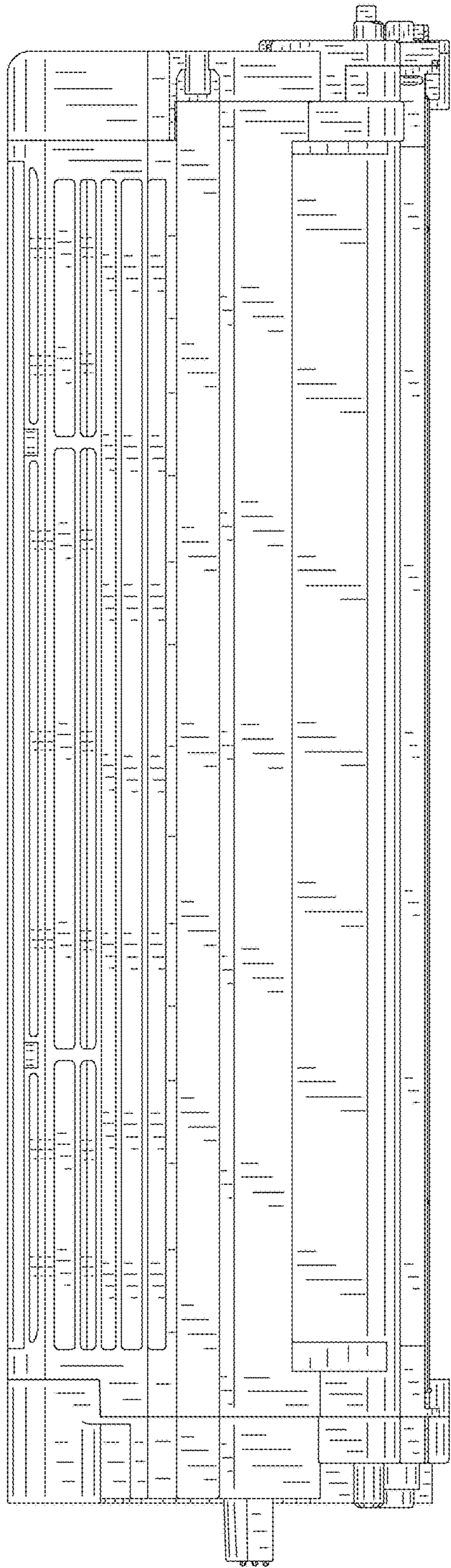


FIG. 4

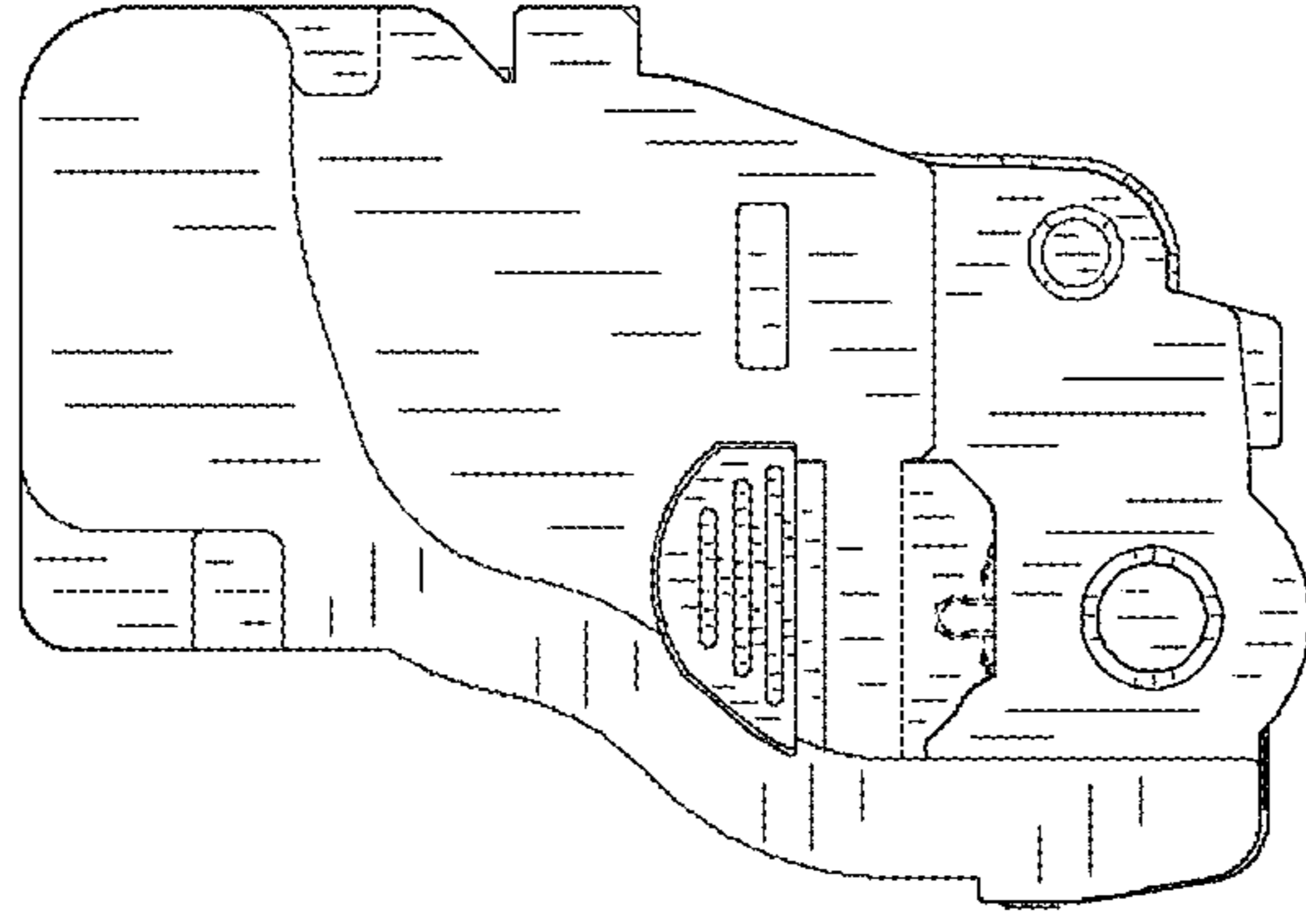


FIG. 5

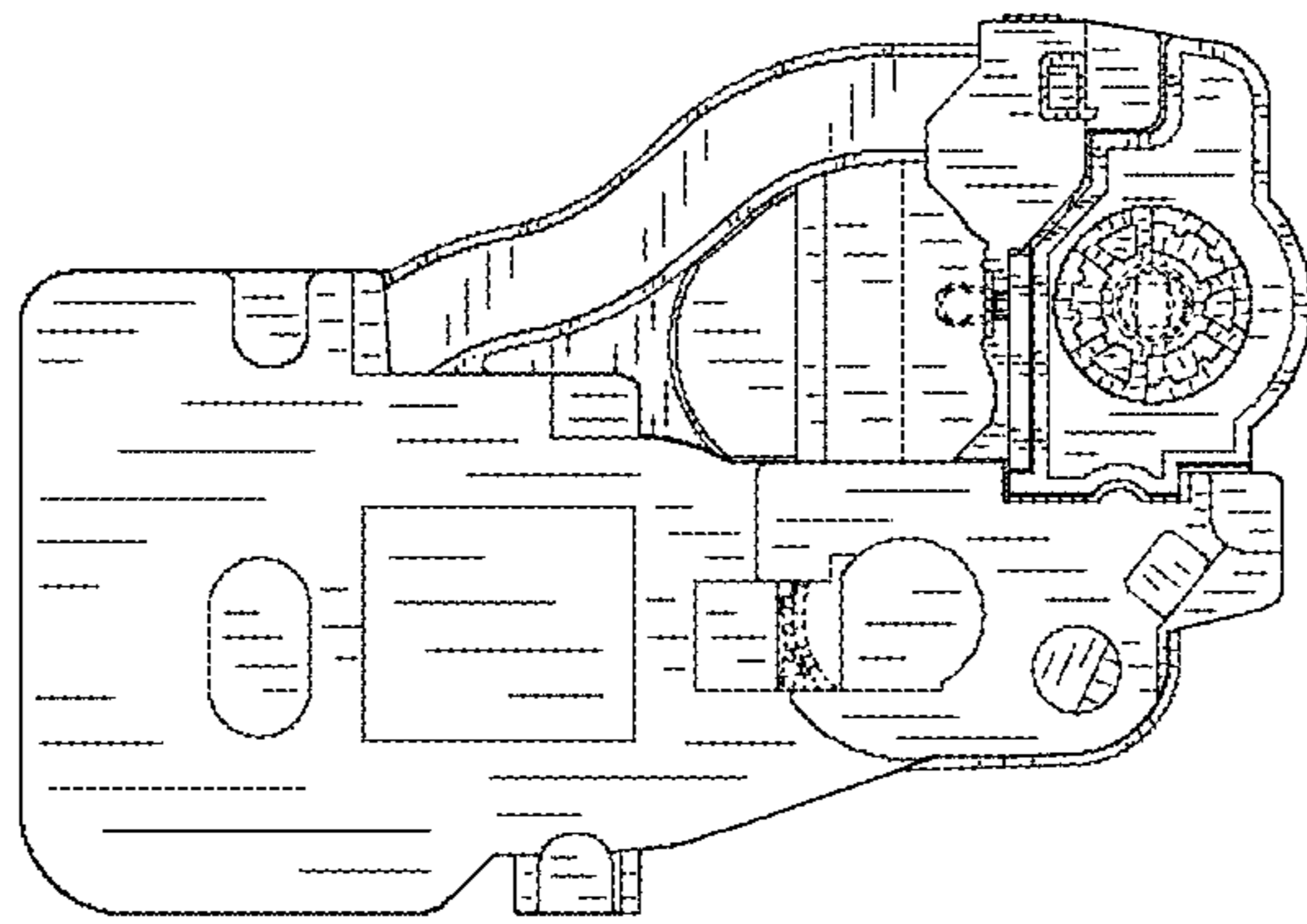


FIG. 6

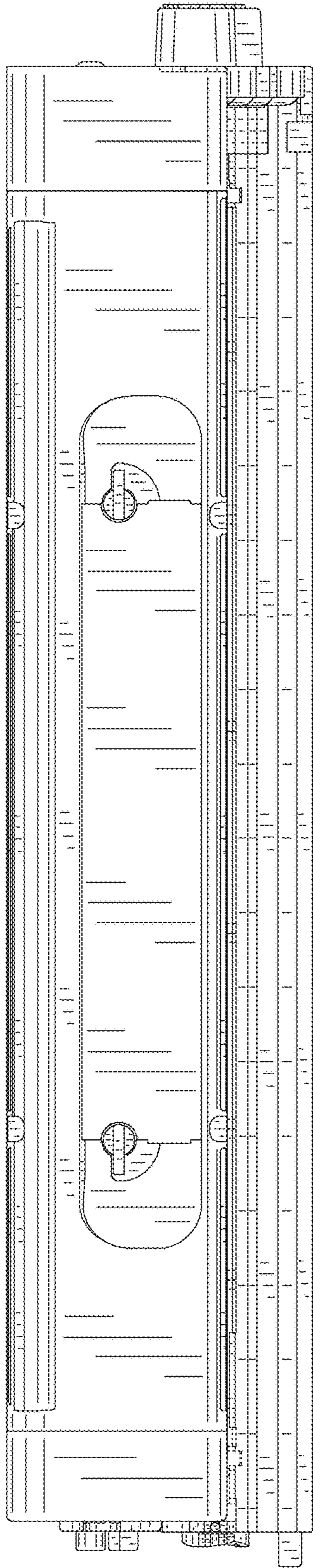


FIG. 7

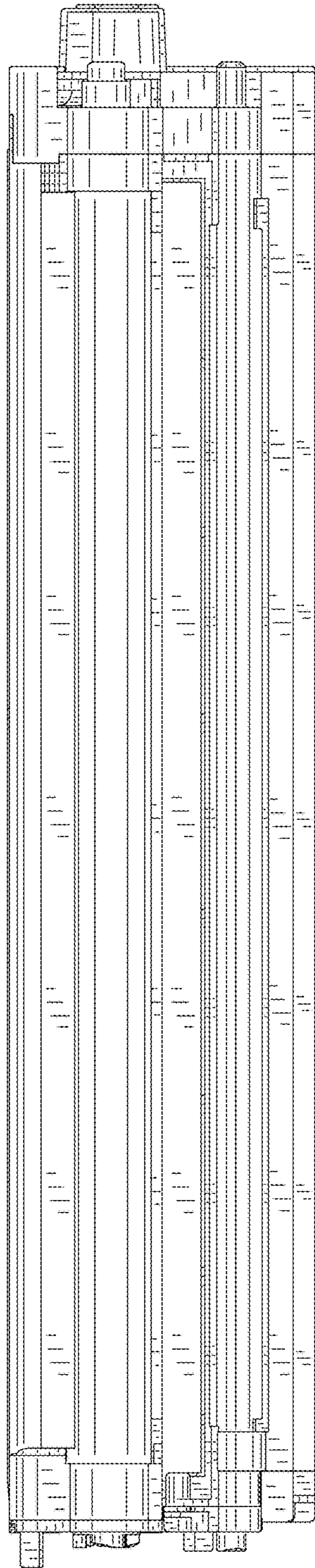


FIG. 8

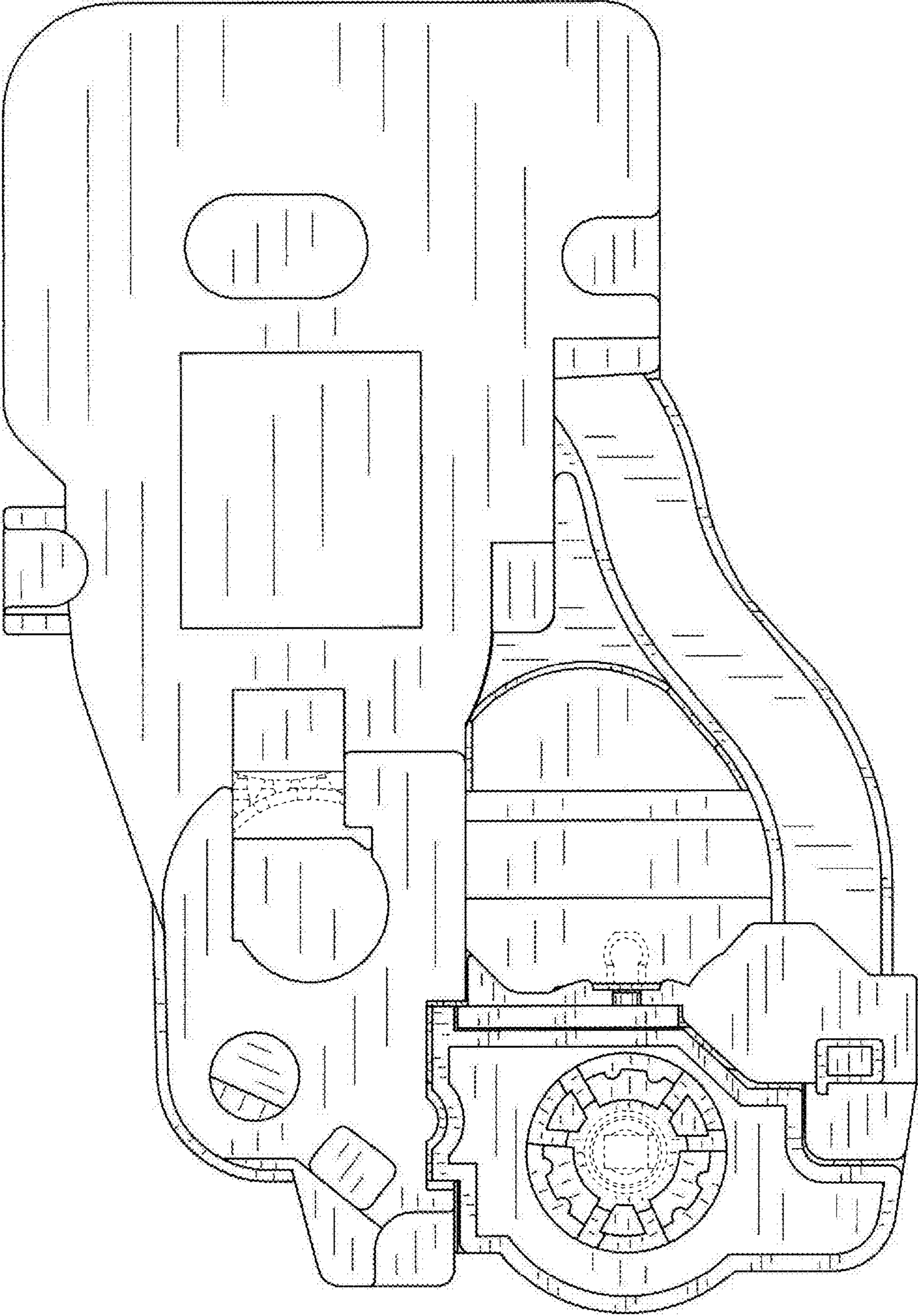


FIG. 9

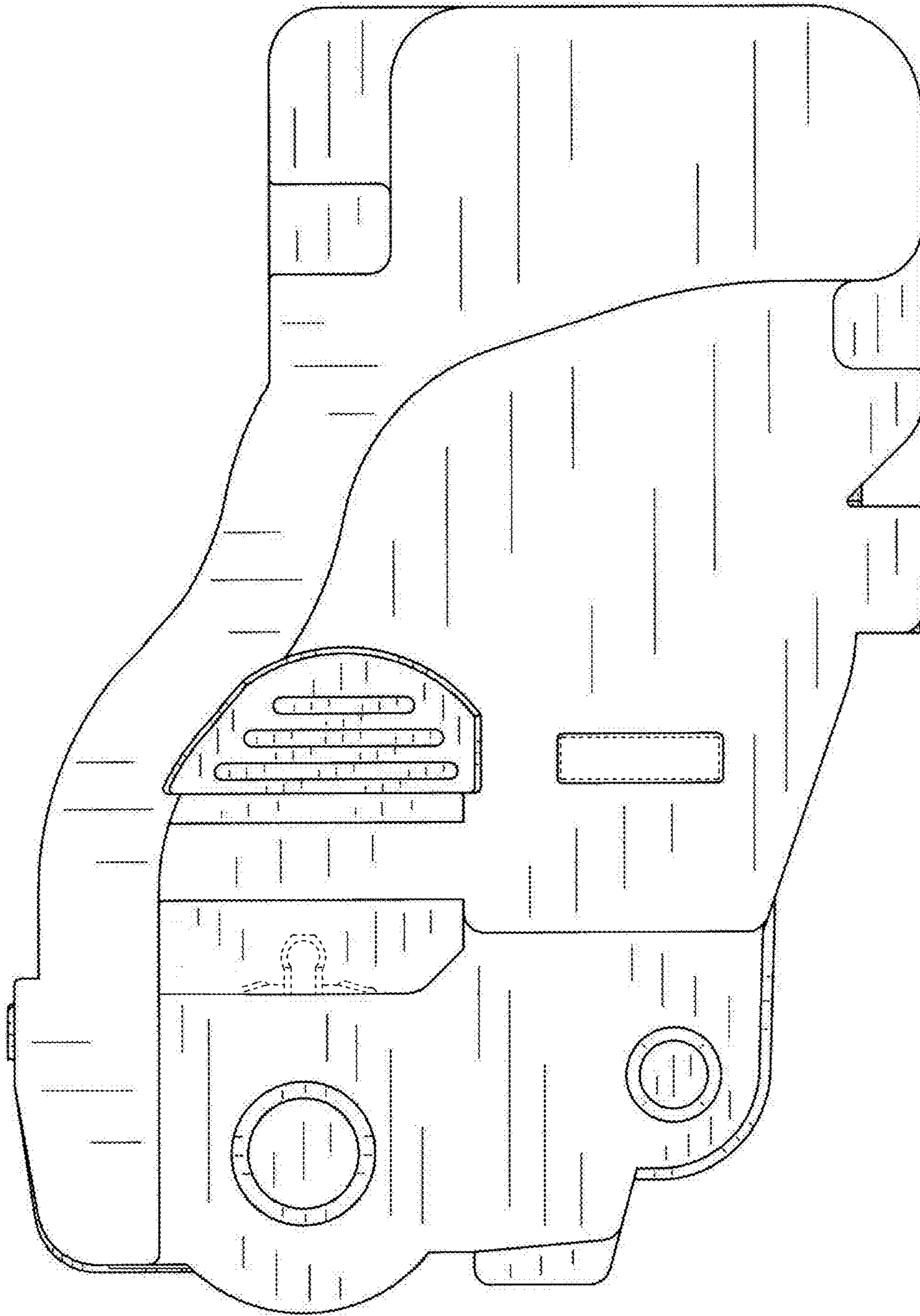


FIG. 10

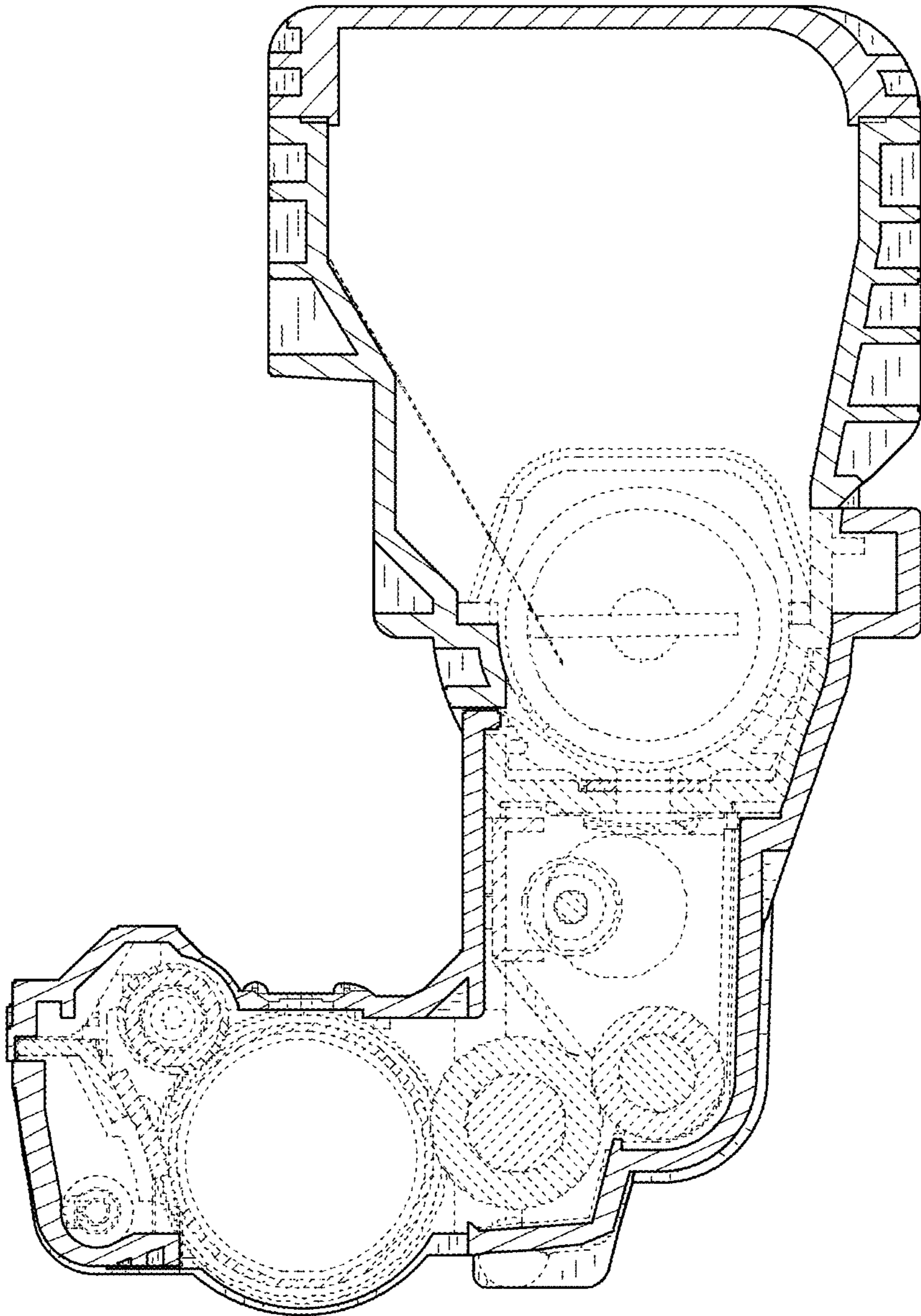


FIG. 11