



US00D791863S

(12) **United States Design Patent**
Hakukawa et al.

(10) **Patent No.:** **US D791,863 S**

(45) **Date of Patent:** **** Jul. 11, 2017**

(54) **DRUM CARTRIDGE**

(71) Applicant: **Panasonic Intellectual Property Management Co., Ltd.**, Osaka-shi, Osaka (JP)

(72) Inventors: **Kazuo Hakukawa**, Fukuoka (JP);
Kenji Fukuta, Saga (JP)

(73) Assignee: **PANASONIC INTELLECTUAL PROPERTY MANAGEMENT CO., LTD.**, Osaka (JP)

(**) Term: **15 Years**

(21) Appl. No.: **29/537,648**

(22) Filed: **Aug. 27, 2015**

(51) **LOC (10) Cl.** **16-03**

(52) **U.S. Cl.**
USPC **D18/43**

(58) **Field of Classification Search**
USPC D18/36, 43, 39, 46, 47, 34.3, 50, 56
CPC G03G 15/0836; G03G 15/0837; G03G 15/0867; G03G 15/0832; G03G 15/0834; G03G 15/0877; G03G 15/0868; G03G 15/50; G03G 15/0872; G03G 15/0898; G03G 15/5016; G03G 15/60; G03G 15/65

See application file for complete search history.

(56) **References Cited**

U.S. PATENT DOCUMENTS

D356,331 S *	3/1995	Ishibashi	D18/43
D394,450 S *	5/1998	Katoh	D18/40
D471,583 S *	3/2003	Okabe	D18/40
D522,564 S *	6/2006	Ishii	D18/43
D523,895 S *	6/2006	Ishii	D18/43
D523,896 S *	6/2006	Ishii	D18/43
D529,541 S *	10/2006	Kawai	D18/43
D550,763 S *	9/2007	Ishikawa	D18/43
D550,764 S	9/2007	Ishikawa et al.	

D550,765 S	9/2007	Ishikawa et al.	
D551,285 S *	9/2007	Ishikawa	D18/43
7,303,245 B2 *	12/2007	Kunihiro	B41J 2/04503 347/19
D585,482 S *	1/2009	Kubota	D18/43
D619,644 S *	7/2010	Houman	D18/43
D620,045 S	7/2010	Fukuta et al.	
D637,225 S *	5/2011	Kishi	D18/43
D637,226 S *	5/2011	Sakuma	D18/43
D638,053 S *	5/2011	Sato	D18/43
D652,862 S *	1/2012	Mori	D18/43
D674,007 S *	1/2013	Ushikubo	D18/43
D694,814 S *	12/2013	Fukamachi	D18/40

(Continued)

OTHER PUBLICATIONS

Brother Drum Cartridge (DR420), announced Oct. 29, 2012 [online], [site visited Sep. 22, 2016]. Available from internet, URL: <http://www.staples.com/Brother-DR-420-Drum-Cartridge/product_889092>.*

(Continued)

Primary Examiner — Keli L Hill

Assistant Examiner — Karra S Johnson

(74) *Attorney, Agent, or Firm* — Brinks Gilson & Lione

(57) **CLAIM**

We claim the ornamental design for a drum cartridge, as shown and described.

DESCRIPTION

FIG. 1 is a front and top perspective view of a drum cartridge of the present invention;

FIG. 2 is a rear and bottom perspective view thereof;

FIG. 3 is a front view thereof;

FIG. 4 is a rear view thereof;

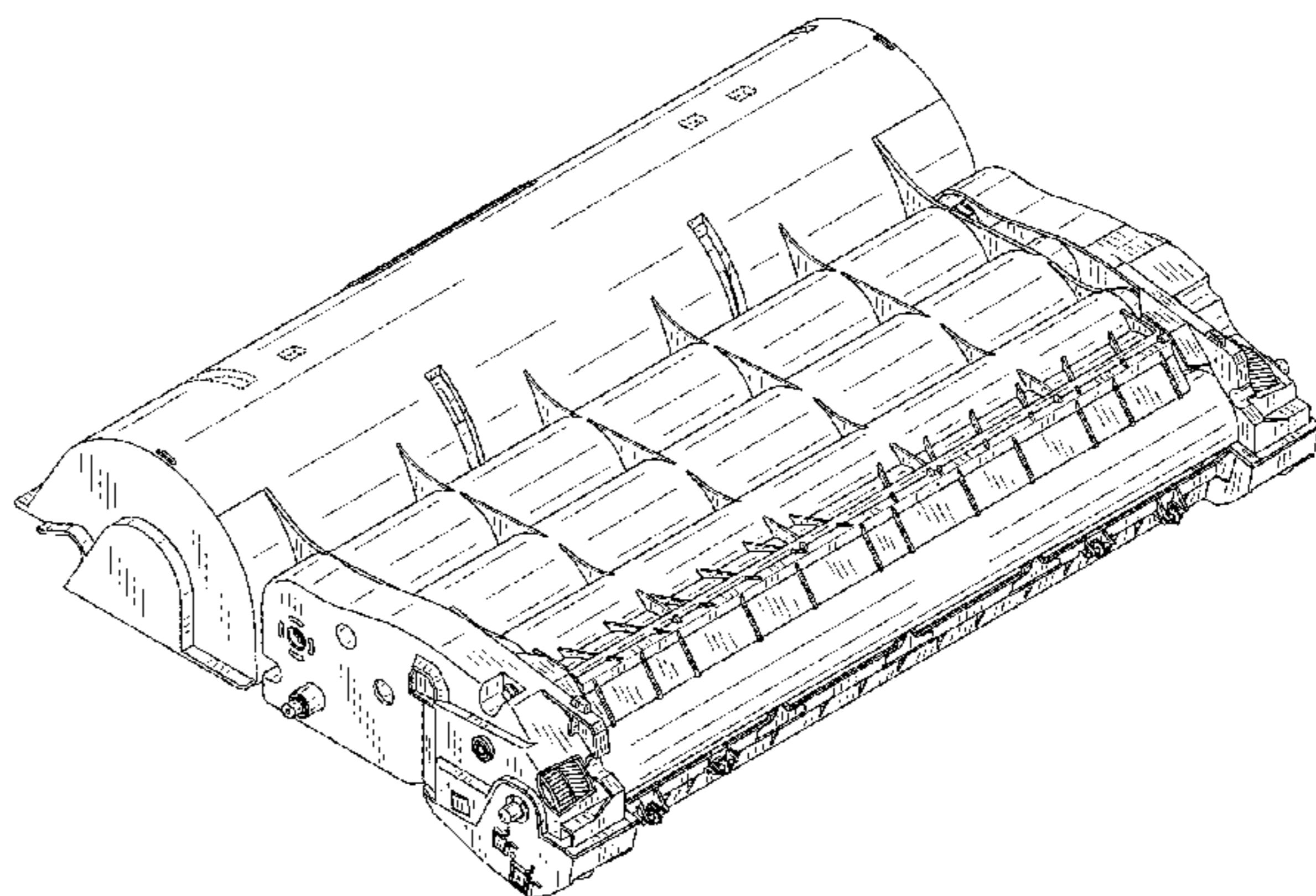
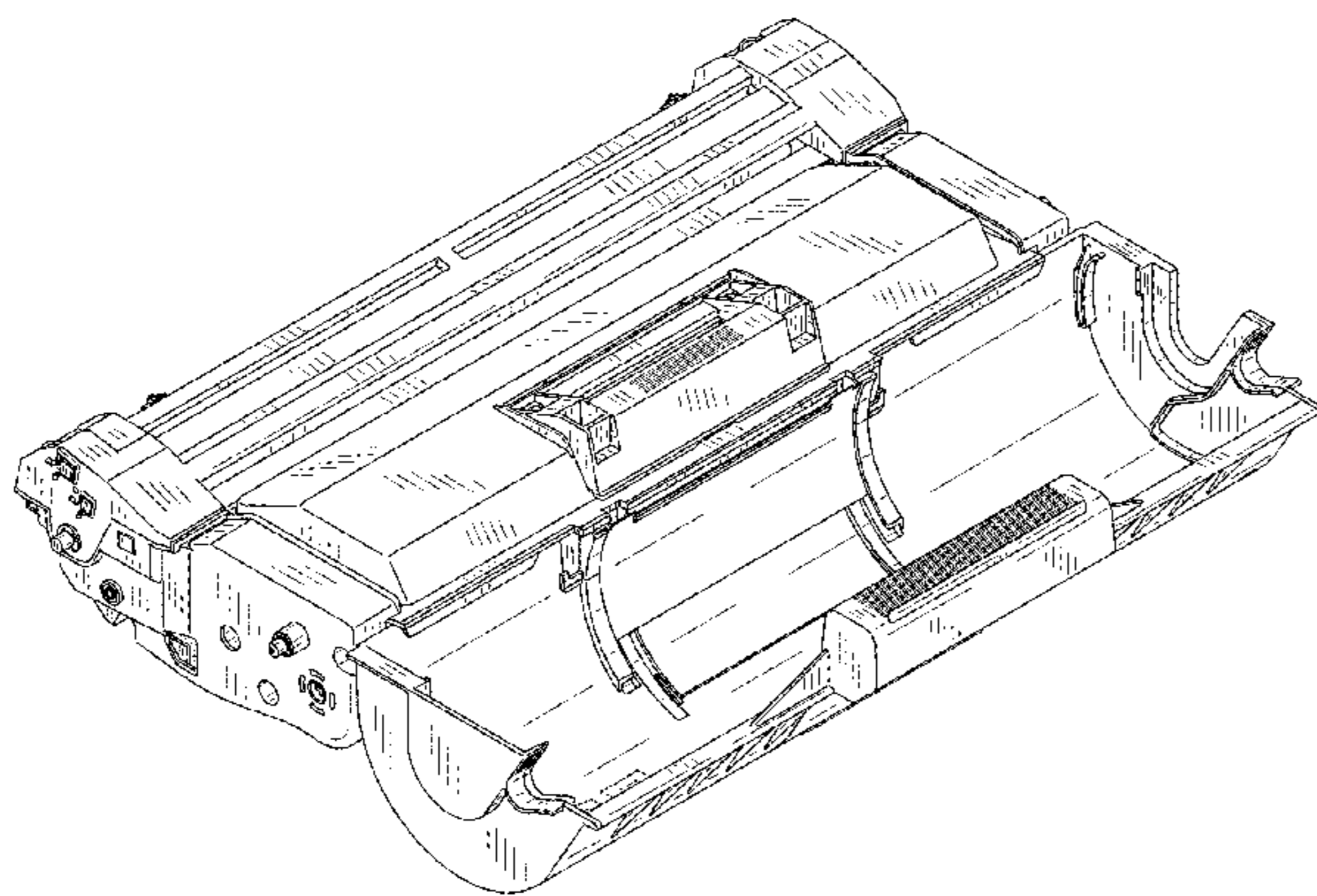
FIG. 5 is a first side view thereof;

FIG. 6 is a second side view thereof;

FIG. 7 is a top view thereof; and,

FIG. 8 is a bottom view thereof.

1 Claim, 8 Drawing Sheets



(56)

References Cited

U.S. PATENT DOCUMENTS

D718,378 S * 11/2014 Itabashi D18/43
D718,379 S * 11/2014 Sakuma D18/43
D724,139 S * 3/2015 Shimizu D18/43
9,383,720 B1 * 7/2016 Fukamachi G03G 21/1821
D765,164 S * 8/2016 Park D18/43
9,442,423 B2 * 9/2016 Fukamachi G03G 15/0865
2009/0285603 A1 * 11/2009 Leemhuis G03G 15/0877
399/256
2014/0294431 A1 * 10/2014 Yoshizumi G03G 15/0291
399/100
2015/0277347 A1 * 10/2015 Abe G03G 21/169
399/123
2015/0277360 A1 * 10/2015 Abe G03G 21/06
399/128

OTHER PUBLICATIONS

Panasonic Drum Cartridge, announced Aug. 15, 2014 [online], [site visited Sep. 22, 2016]. Available from internet, URL: <<http://www.uoscorp.com.my/panasonic-drum-cartridge-kx-fad412e-kx-mb1900-kx-mb2000-kx-mb2010-kx-mb2020-kx-mb2025-kx-mb2030-kx-mb2061-kx-mb2062>>.*

Panasonic KX-FAD89 Imaging Drum Cartridge, announced Apr. 13, 2015 [online], [site visited Sep. 22, 2016]. Available from Internet, URL: <<http://www.officedepot.com/a/products/790706/Panasonic-KX-FAD89-Imaging-Drum-Cartridge/>>.*

Panasonic UG-3220 Drum Cartridge, announced Oct. 24, 2012 [online], [site visited Sep. 22, 2016]. Available from internet, URL: <http://www.staples.com/Panasonic-UG-3220-Drum-Cartridge/product_512357>.*

* cited by examiner

FIG.1

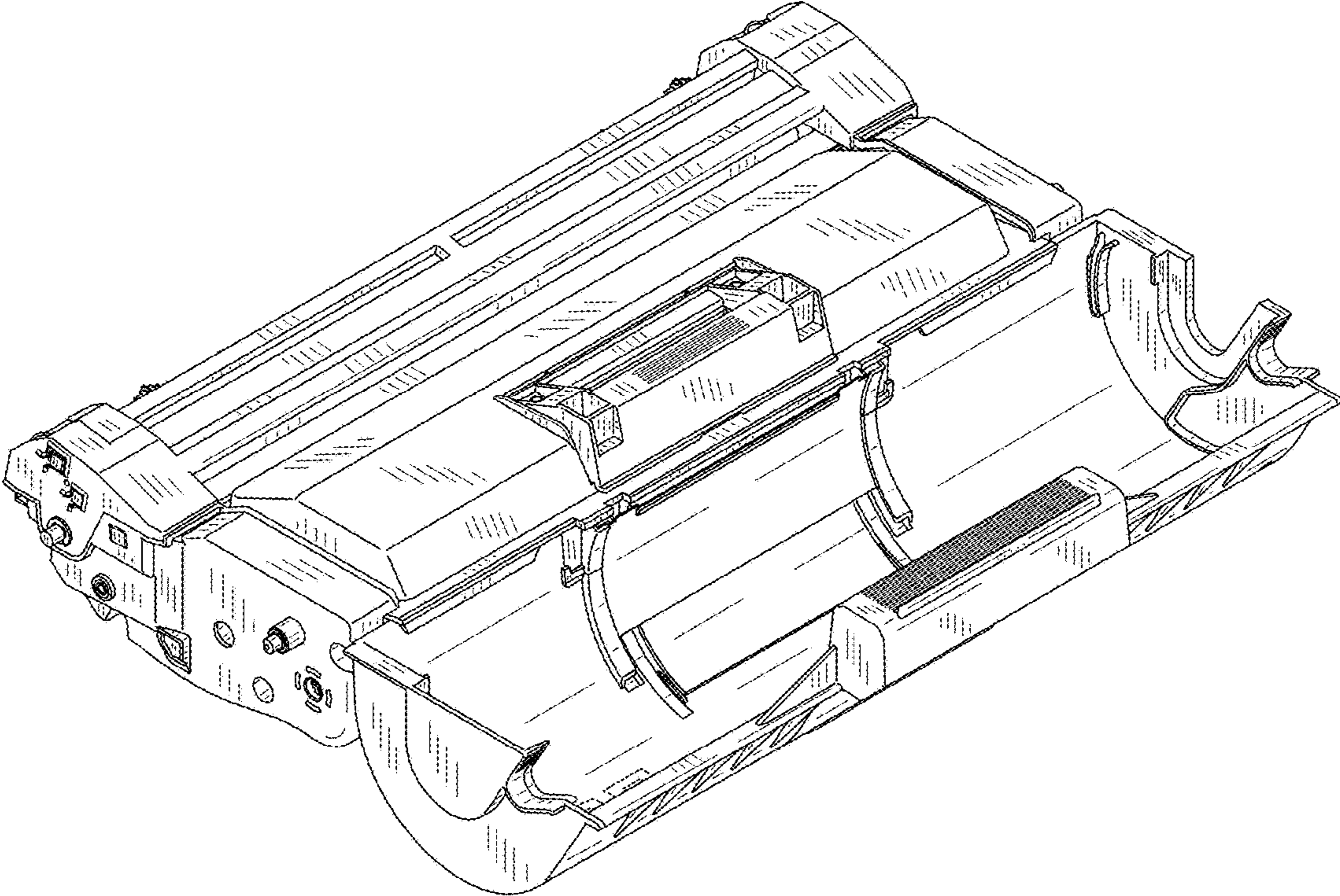


FIG.2

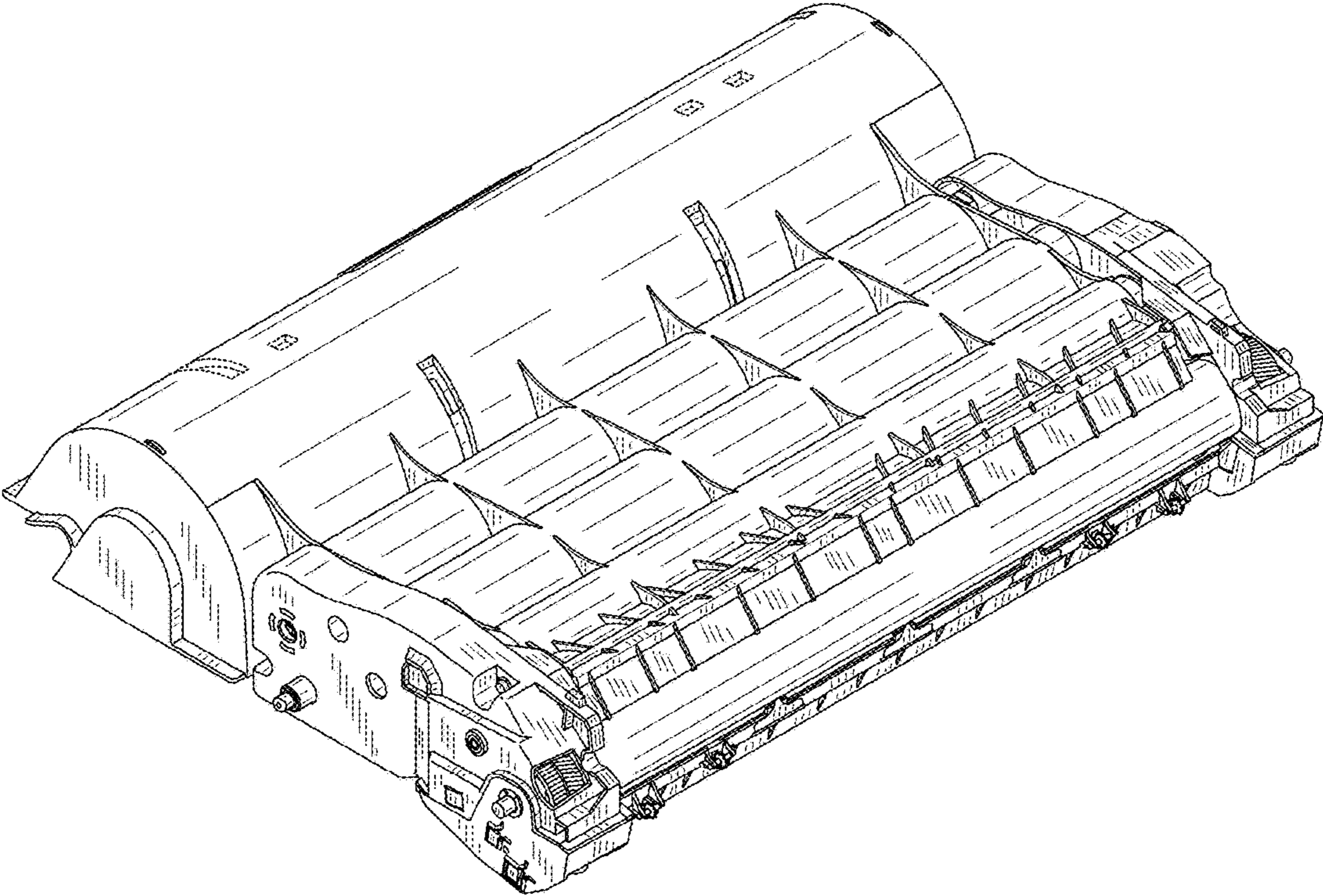


FIG.3

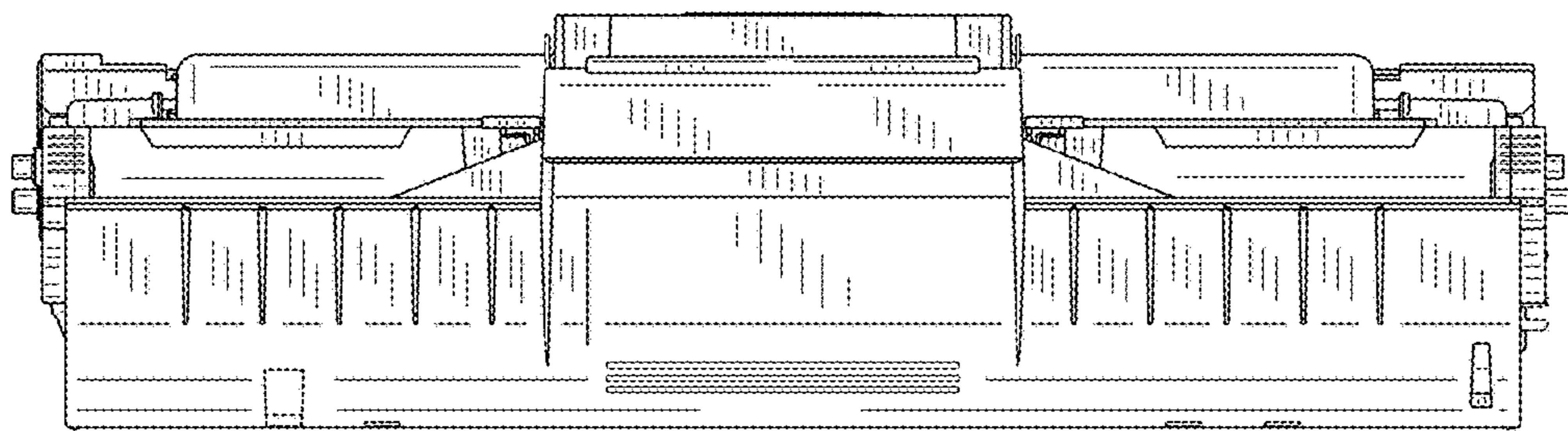


FIG.4

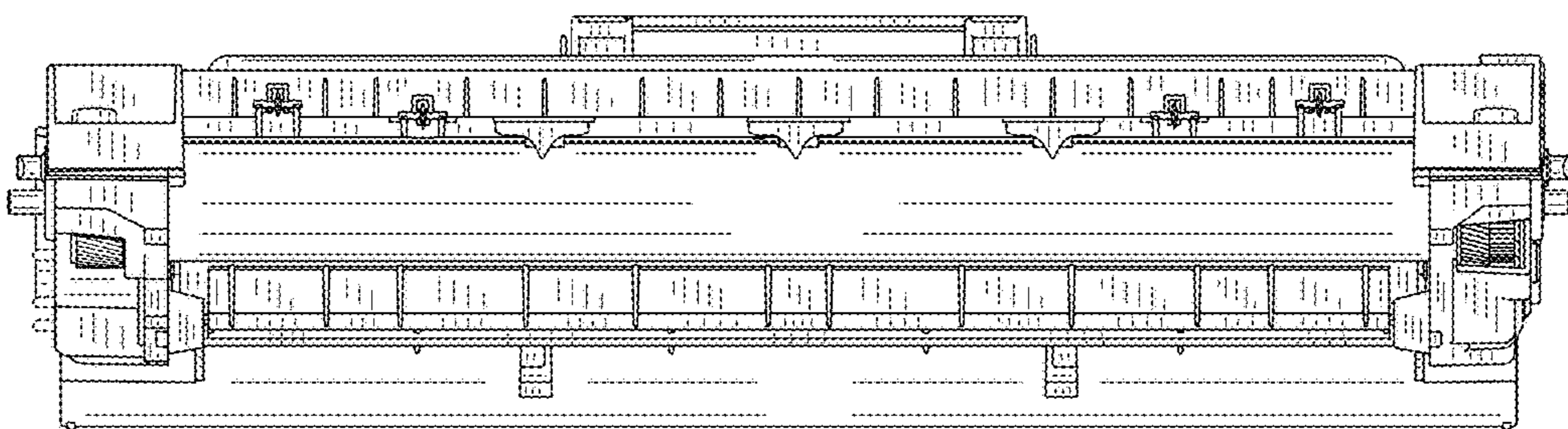


FIG.5

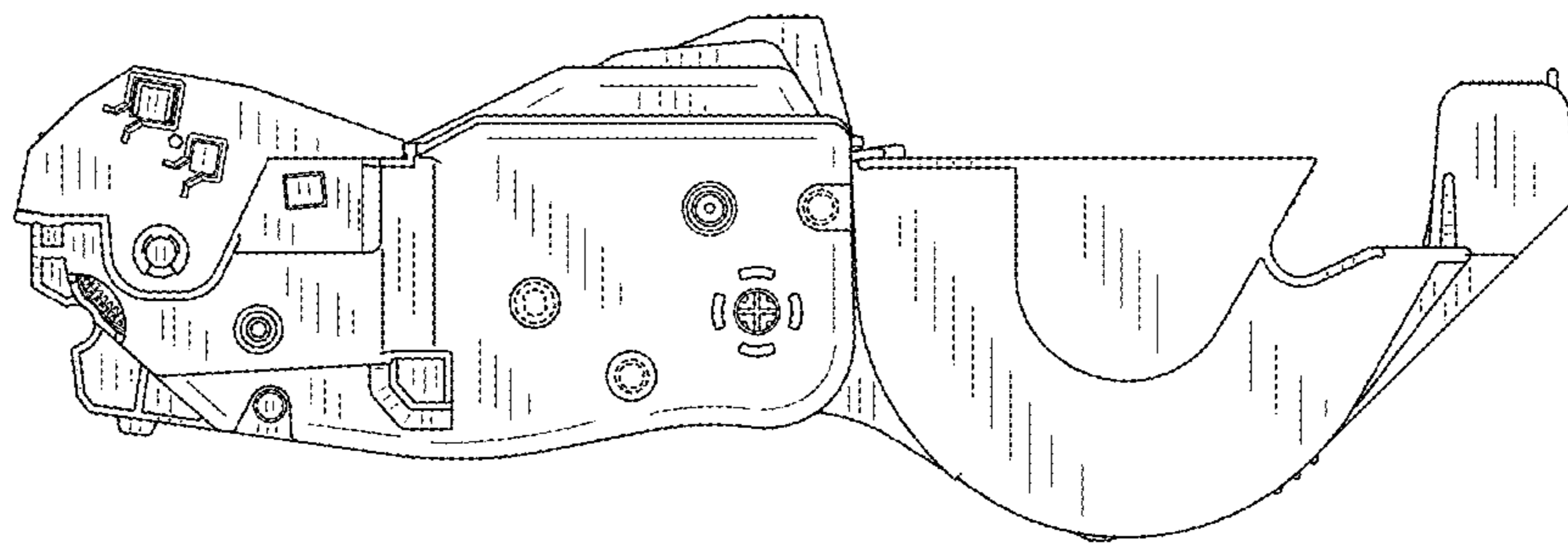


FIG.6

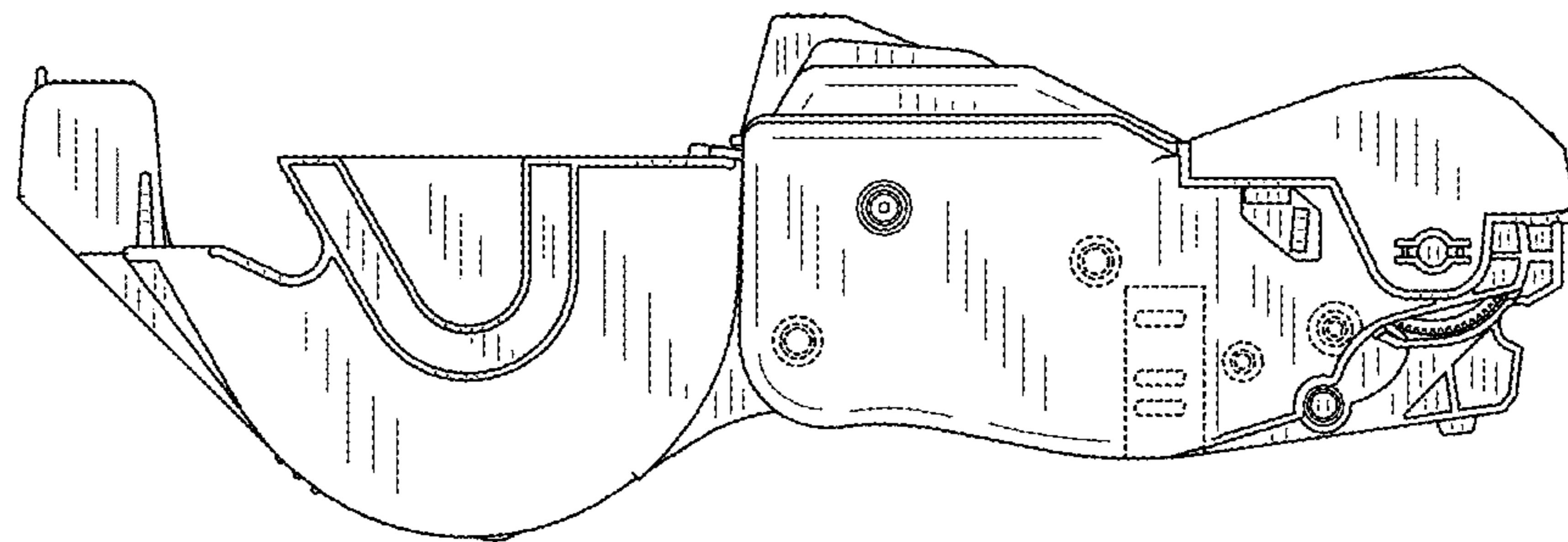


FIG. 7

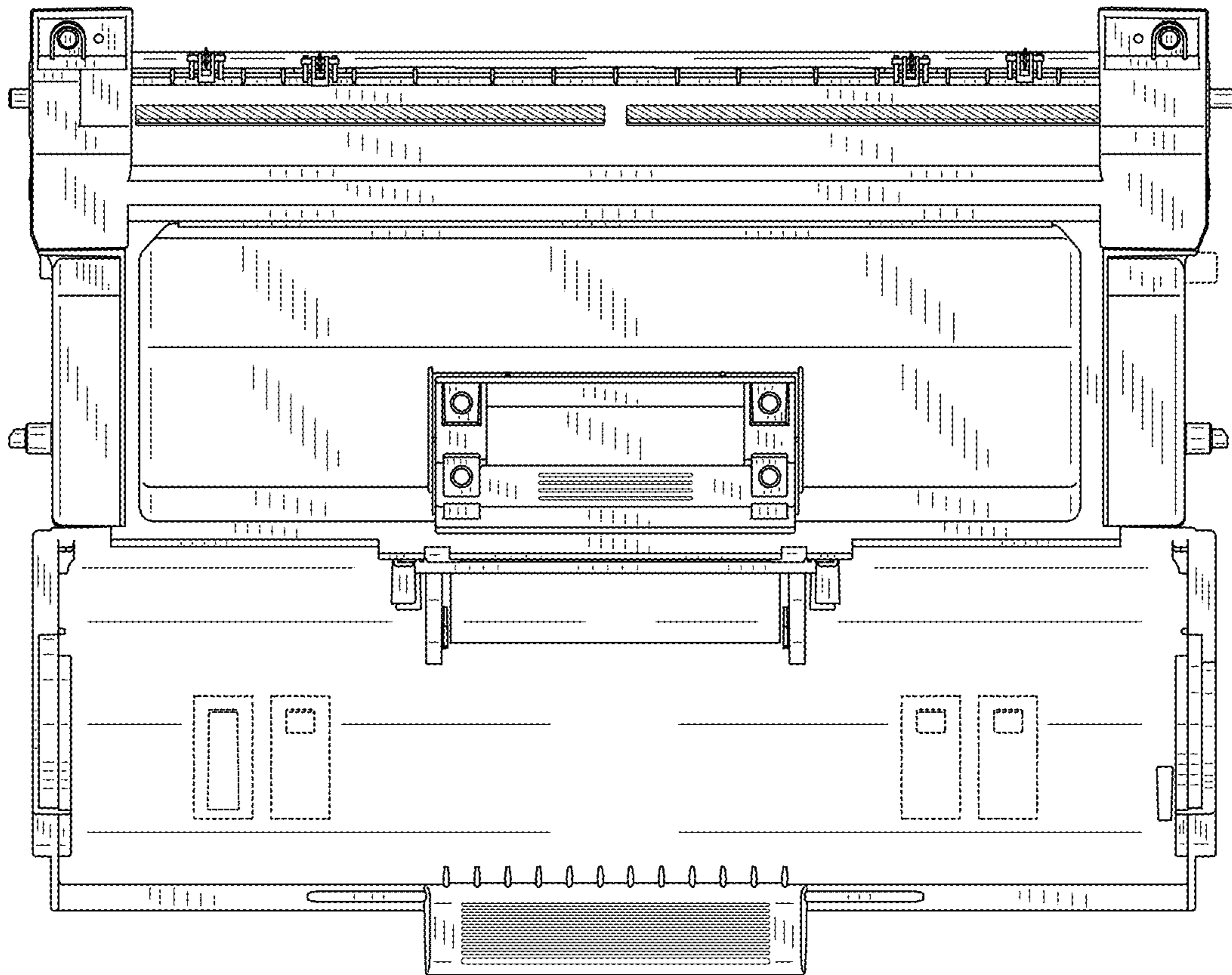


FIG.8

