

US00D791861S

(12) **United States Design Patent** (10) **Patent No.:** **US D791,861 S**
Battle (45) **Date of Patent:** **** Jul. 11, 2017**

(54) **BIOMETRIC PAYMENT STAND**
(71) Applicant: **Sharron Martha Battle**, Atlanta, GA (US)
(72) Inventor: **Sharron Martha Battle**, Atlanta, GA (US)
(**) Term: **15 Years**

D650,372 S * 12/2011 Molter D14/239
D677,261 S * 3/2013 Hsu D14/447
D682,285 S * 5/2013 Skinner D14/451
D683,141 S * 5/2013 Symons D14/447
D689,478 S * 9/2013 Wikel D14/253
D696,666 S * 12/2013 Drew D14/375
D703,676 S * 4/2014 Smith D14/447
D719,142 S * 12/2014 Lee D14/239

(Continued)

(21) Appl. No.: **29/545,895**
(22) Filed: **Nov. 17, 2015**
(51) **LOC (10) Cl.** **18-01**
(52) **U.S. Cl.**
USPC **D18/4.5**; D14/447
(58) **Field of Classification Search**
USPC D18/3.1, 3.2, 4.1, 4.3, 4.4, 4.5, 4.6, 12, D18/12.1; D14/239, 251, 383, 434, 447, D14/448, 451; D20/10, 19, 41, 99; D99/28, 34, 35, 36, 43, 99; D16/242, D16/244, 245
CPC G06F 1/16; G06F 1/1601; G06F 1/1607; G06F 1/1626; F16M 11/00; F16M 11/10
See application file for complete search history.

OTHER PUBLICATIONS

Dell Venue 11 Pro POS Mount. (Online image) 1 pg. Uploaded Jul. 2014. [retrieved on Feb. 1, 2017] <http://ipadsimple.com/all-products/dell-venue-11-pro-pos-simple-stand-with-dynamag/> IMG URL: <http://ipadsimple.com/wp-content/uploads/2014/07/Products.165-e1487883164666.jpg>.*

(Continued)

Primary Examiner — Susan Bennett Hattan
Assistant Examiner — Marie Fast Horse
(74) *Attorney, Agent, or Firm* — Dunlap Bennett & Ludwig PLLC

(57) **CLAIM**

The ornamental design for a biometric payment stand, as shown and described.

(56) **References Cited**

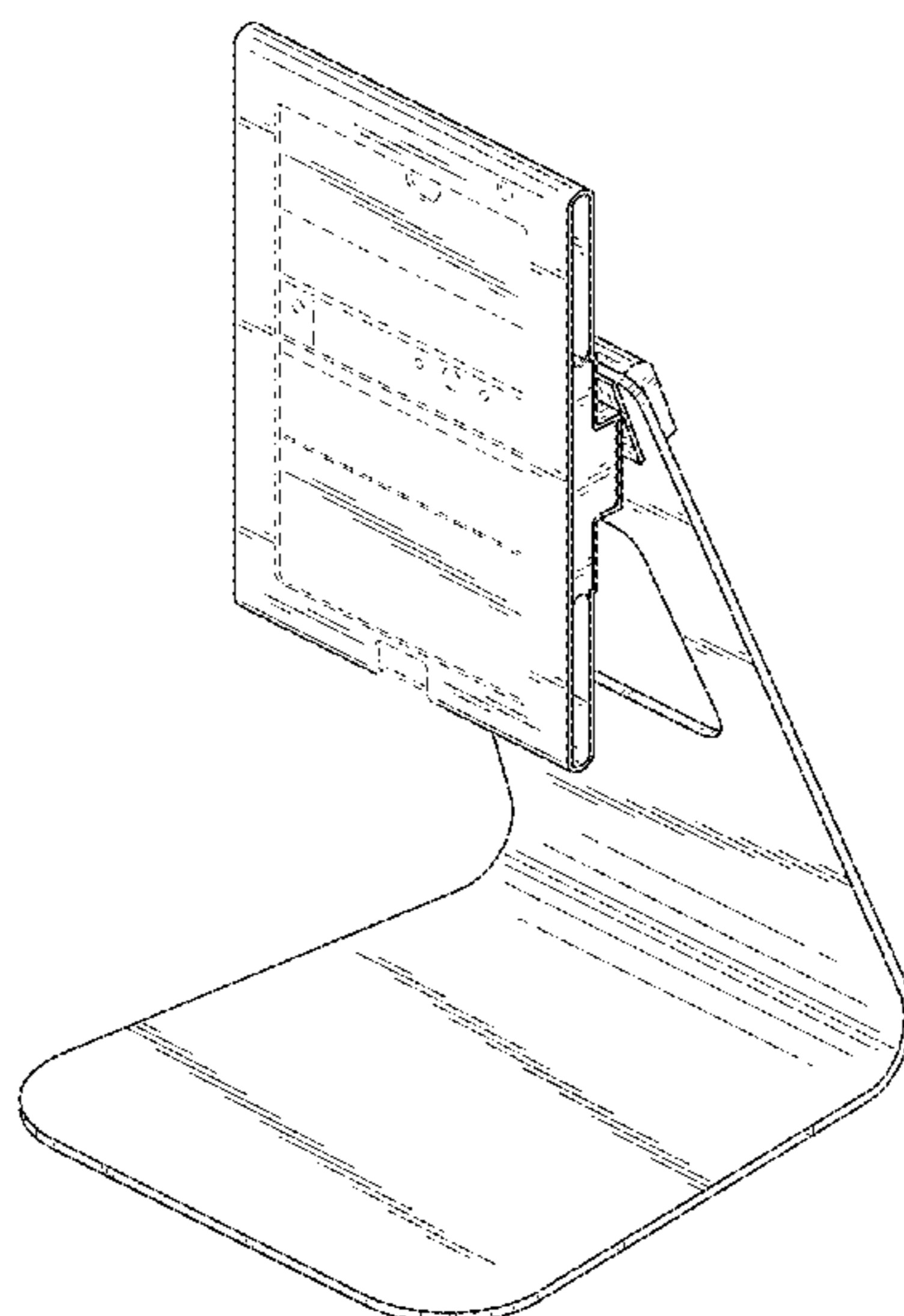
U.S. PATENT DOCUMENTS

D251,426 S * 3/1979 Molyneux D14/229
D310,520 S * 9/1990 Bedard D14/432
D413,110 S * 8/1999 Sweere D14/447
D560,221 S * 1/2008 Hoglan D14/451
D561,189 S * 2/2008 Wohlford D14/451
D592,188 S * 5/2009 Huang D14/217
D593,568 S * 6/2009 Hsieh D14/451
D602,913 S * 10/2009 Han D14/217
7,758,000 B2 * 7/2010 Hsieh F16M 11/10
248/176.1
D640,247 S * 6/2011 Baumann D14/253
D649,153 S * 11/2011 Symons D14/447
8,047,488 B2 * 11/2011 Wang F16M 11/10
248/176.1

DESCRIPTION

FIG. 1 is a front perspective view of a biometric payment stand;
FIG. 2 is a front elevation view thereof;
FIG. 3 is a rear elevation view;
FIG. 4 is a left side elevation view thereof;
FIG. 5 is a right side elevation view thereof;
FIG. 6 is a top plan view thereof; and,
FIG. 7 is a bottom plan view thereof.
The broken lines shown in the drawings depict unclaimed portions of biometric payment stand that form no part of the claimed design.

1 Claim, 4 Drawing Sheets



(56)

References Cited

U.S. PATENT DOCUMENTS

D720,000 S * 12/2014 Lyons D18/4.5
RE45,474 E * 4/2015 Andre D14/375
D754,136 S * 4/2016 Schoening D14/447
D756,367 S * 5/2016 Kim D14/447
2007/0146979 A1* 6/2007 Chen G06F 1/1601
361/679.21
2016/0239045 A1* 8/2016 Tseng G06F 1/1626

OTHER PUBLICATIONS

SecureSTAND. ericselectronics.com. (Online image) 1 pg.
Uploaded Jul. 2015. [retrieved on Feb. 1, 2017] IMG URL: <http://www.ericselectronics.com/wp-content/uploads/2015/07/SecureSTAND-Anti-Theft-Tablet-POS-Store-Display-with-Metal-Reinforced-Cable-Lock-Key-Set-Works-with-Square-PayPal-Here-and-Other-Mobile-Payment-Systems-0-1.jpg>.*

* cited by examiner

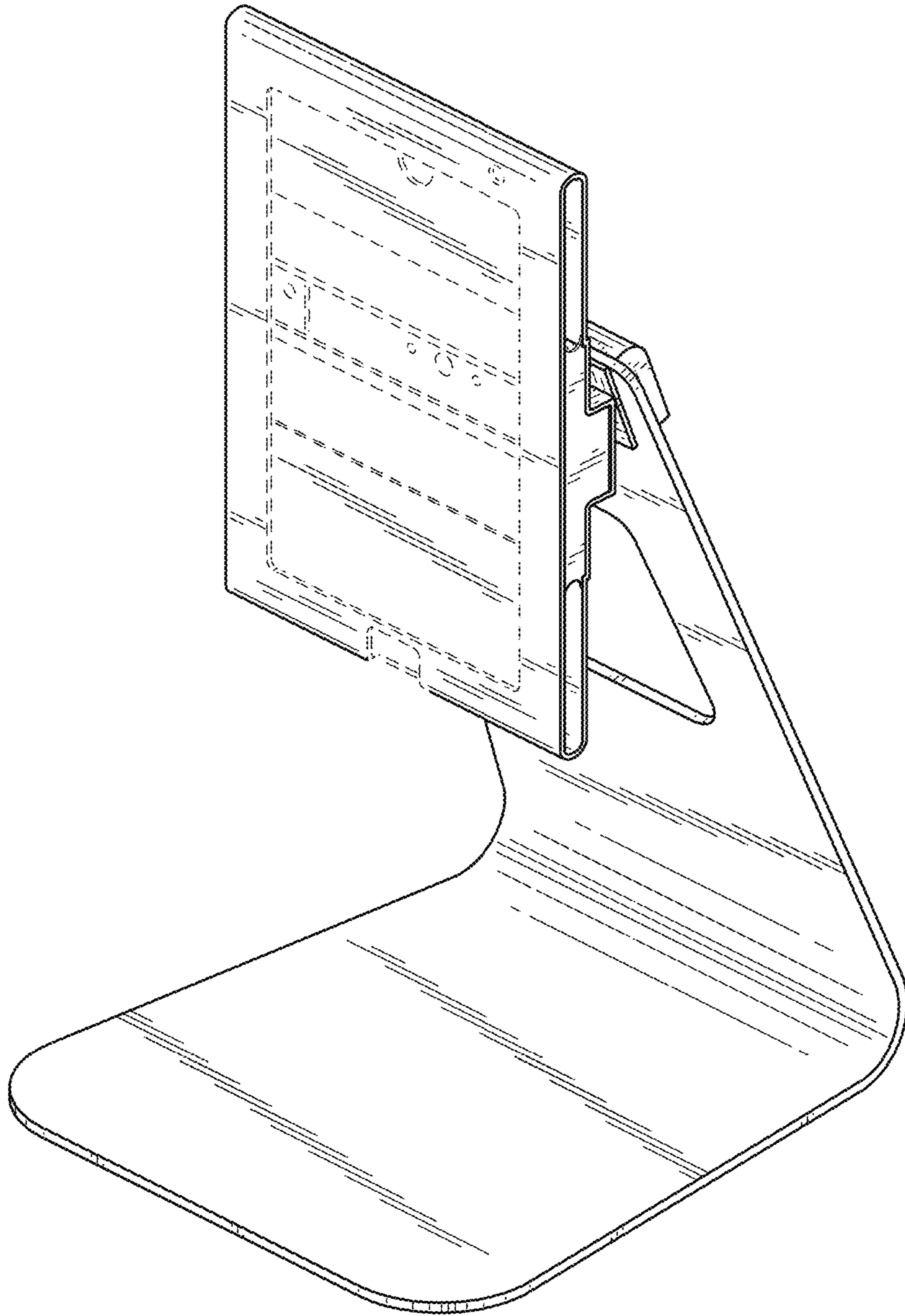


FIG. 1

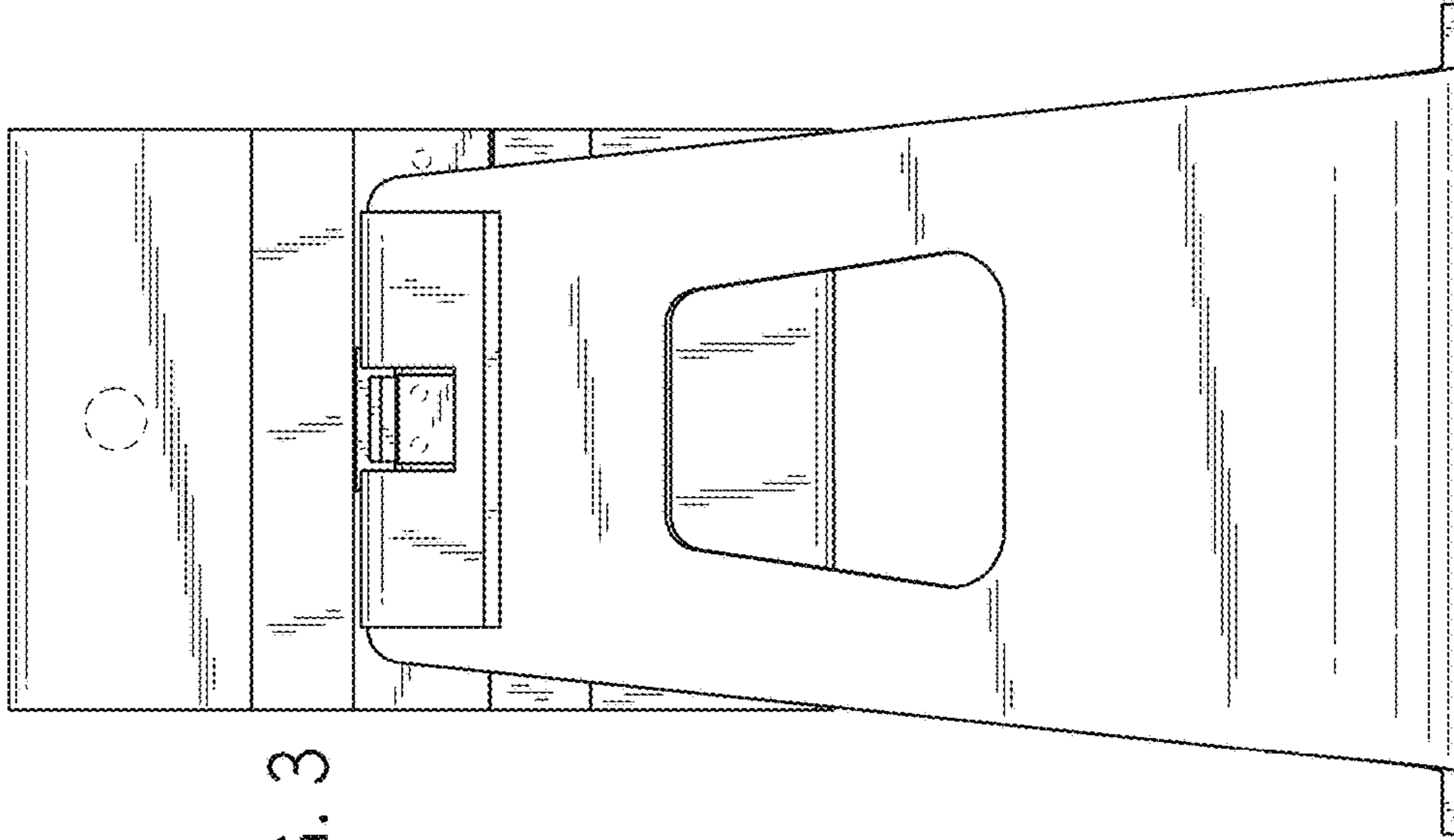


FIG. 3

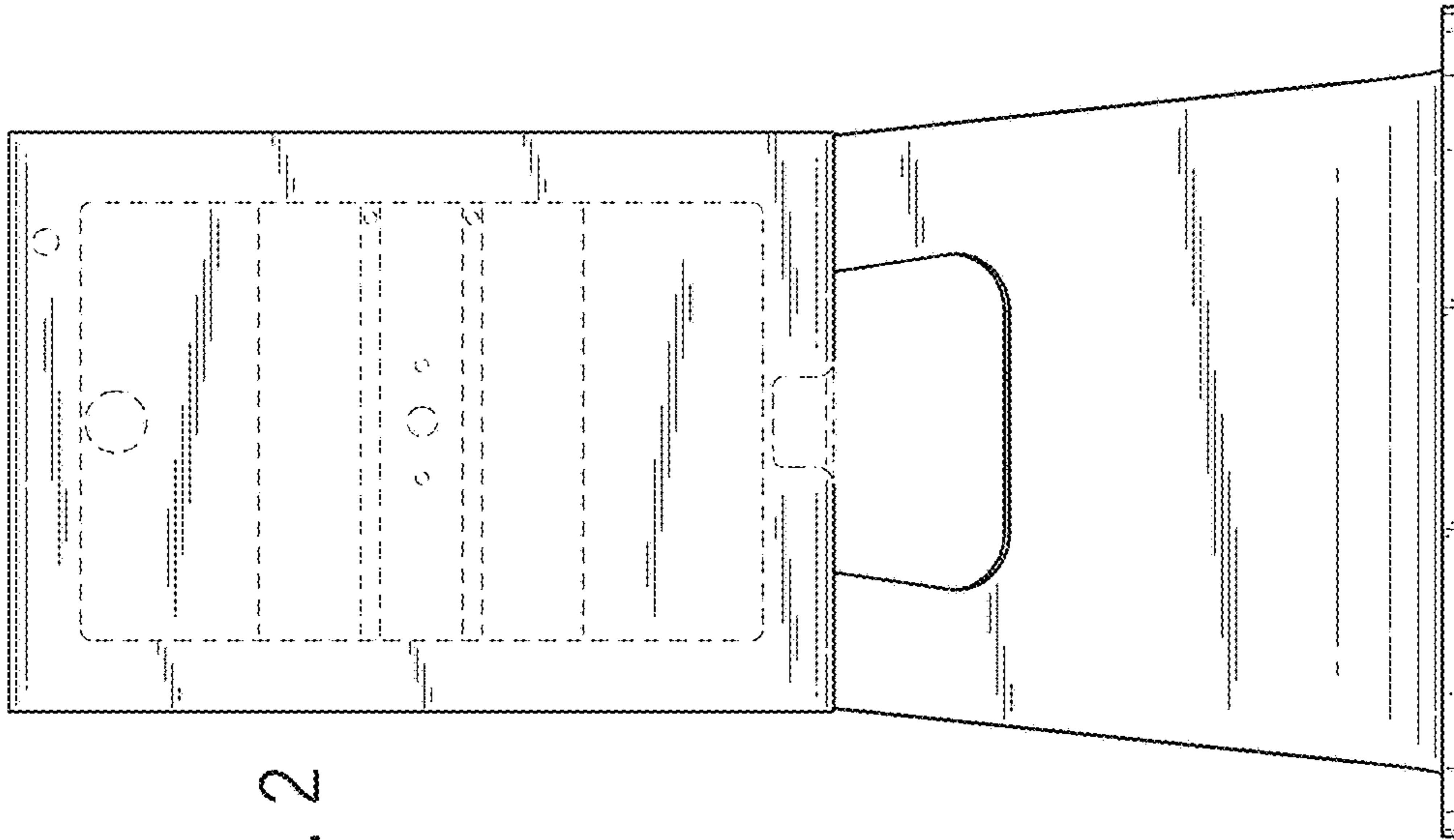


FIG. 2

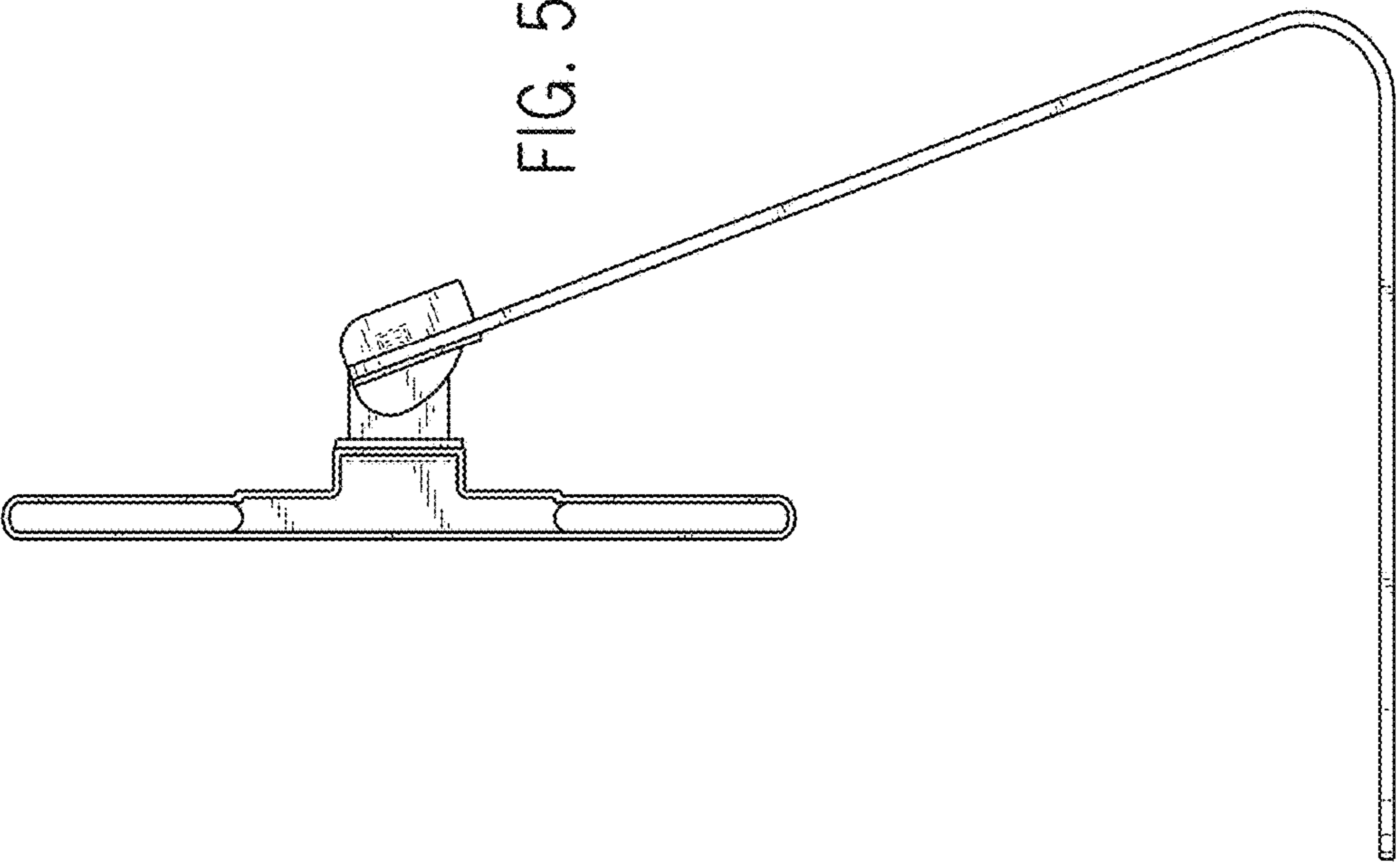


FIG. 5

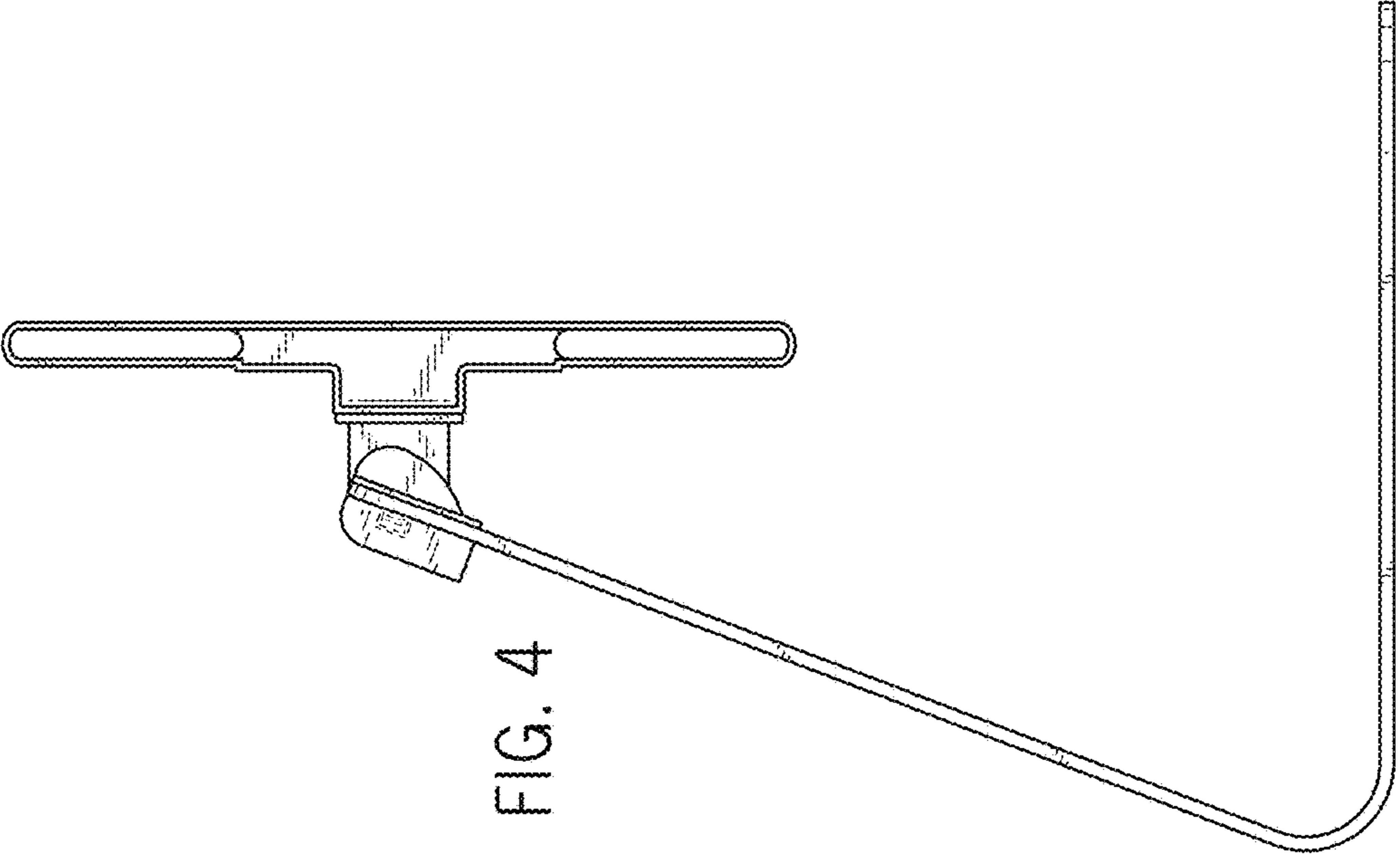


FIG. 4

FIG. 6

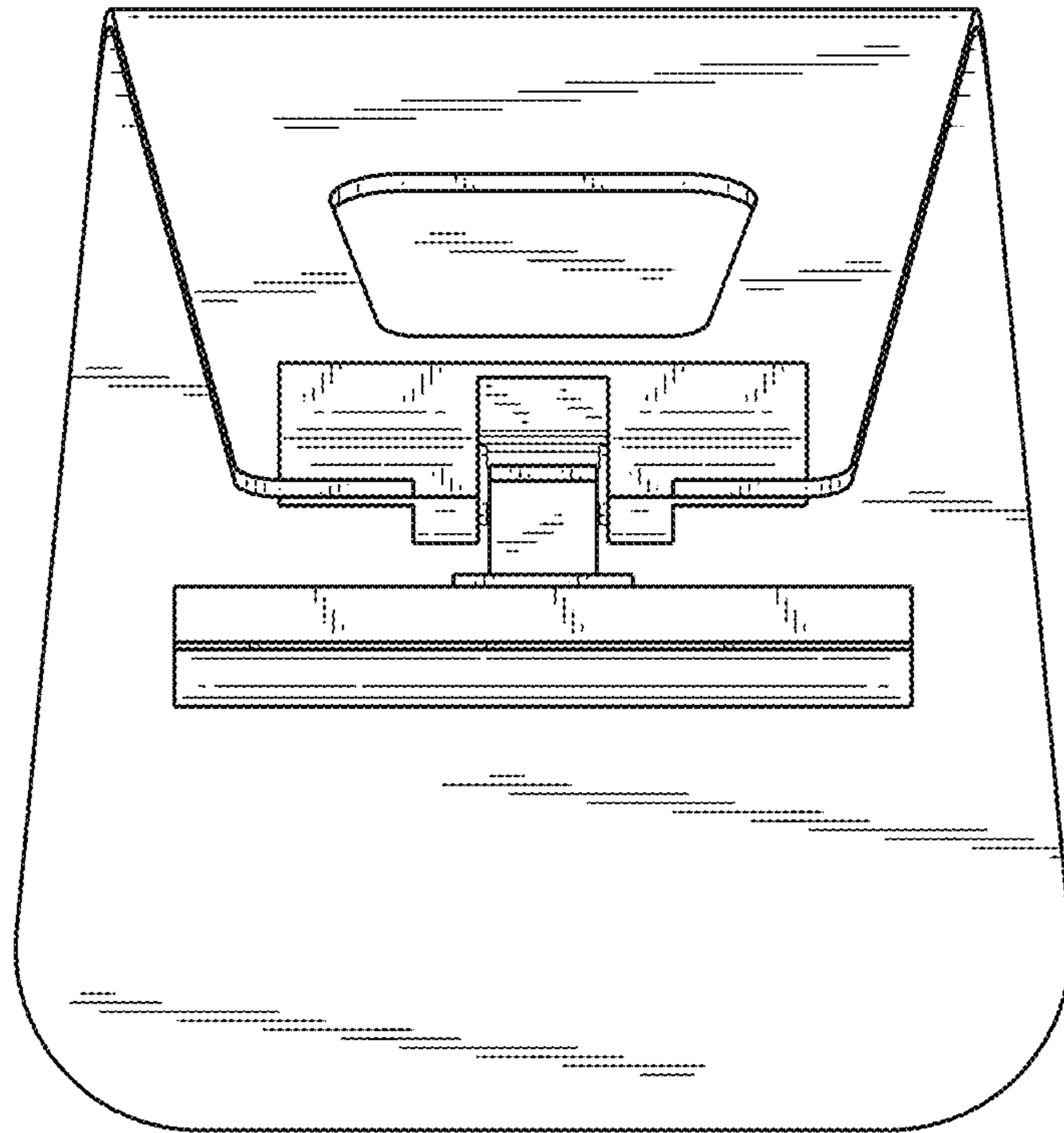


FIG. 7

