



US00D791860S

(12) **United States Design Patent**
Greaves et al.

(10) **Patent No.:** **US D791,860 S**

(45) **Date of Patent:** **** Jul. 11, 2017**

- (54) **POS WAGER MACHINE**
- (71) Applicants: **Mark Greaves**, Arnold, MO (US);
Helen Greaves, Arnold, MO (US)
- (72) Inventors: **Mark Greaves**, Arnold, MO (US);
Helen Greaves, Arnold, MO (US)
- (73) Assignee: **Helen A. Greaves**, Arnold, MO (US)
- (**) Term: **15 Years**
- (21) Appl. No.: **29/505,946**
- (22) Filed: **Apr. 25, 2016**
- (51) **LOC (10) Cl.** **18-01**
- (52) **U.S. Cl.**
USPC **D18/4.5; D18/4.6**
- (58) **Field of Classification Search**
USPC D18/3.1, 3.2, 4.1, 4.3, 4.4, 4.5, 4.6, 12,
D18/12.1; D14/300, 314, 336, 337, 341,
D14/346, 371, 373, 374, 375, 376, 385,
D14/420-422, 424, 425, 462, 463, 126,
D14/129; D20/10, 41, 99
CPC G07F 7/08; G07F 7/0873; G07F 7/0888;
G07F 7/0886; G07F 7/0893; G07F 19/00;
G07G 1/12; G07G 1/00; G07G 1/0018;
G07G 1/01; G06Q 20/20; G06K 7/083
See application file for complete search history.

- D540,321 S * 4/2007 Hasegawa D14/375
- D559,559 S * 1/2008 Butcher D6/309
- D578,530 S * 10/2008 Hasegawa D14/375
- D588,630 S * 3/2009 Erzen D18/4.6
- D596,175 S * 7/2009 Viertola D14/314
- D602,935 S * 10/2009 Kettula D14/371
- D619,135 S * 7/2010 Lin D14/374
- D620,519 S * 7/2010 Branck D18/4.4
- D625,355 S * 10/2010 Branck D18/12.3
- D629,802 S * 12/2010 Chiu D14/371
- D643,390 S * 8/2011 Han D14/126
- D686,654 S * 7/2013 Kim D18/4.6
- D687,484 S * 8/2013 Eun D18/4.6
- D693,607 S * 11/2013 Johnson D6/672
- D706,864 S * 6/2014 Branck D18/4.6
- D711,870 S * 8/2014 Johnson D14/307
- D712,396 S * 9/2014 Johnson D14/307
- D713,447 S * 9/2014 Balar D18/4.6
- D720,000 S * 12/2014 Lyons D18/4.5
- D725,182 S * 3/2015 Haller D18/11
- D725,699 S * 3/2015 Eun D18/4.4
- D735,802 S * 8/2015 Lyons D18/4.5
- D737,232 S * 8/2015 Choi D14/126
- D741,853 S * 10/2015 Barron D14/336
- D746,902 S * 1/2016 Lyons D18/4.5

(Continued)

Primary Examiner — Susan Bennett Hattan

Assistant Examiner — Marie Fast Horse

(57) **CLAIM**

We claim the ornamental design for POS wager machine, as shown and described.

DESCRIPTION

FIG. 1: is the perspective elevation view of the POS wager machine;

FIG. 2: is the front elevation view thereof;

FIG. 3: is the left side elevation view thereof;

FIG. 4: is the top elevation view thereof;

FIG. 5: is the bottom elevation view thereof; and,

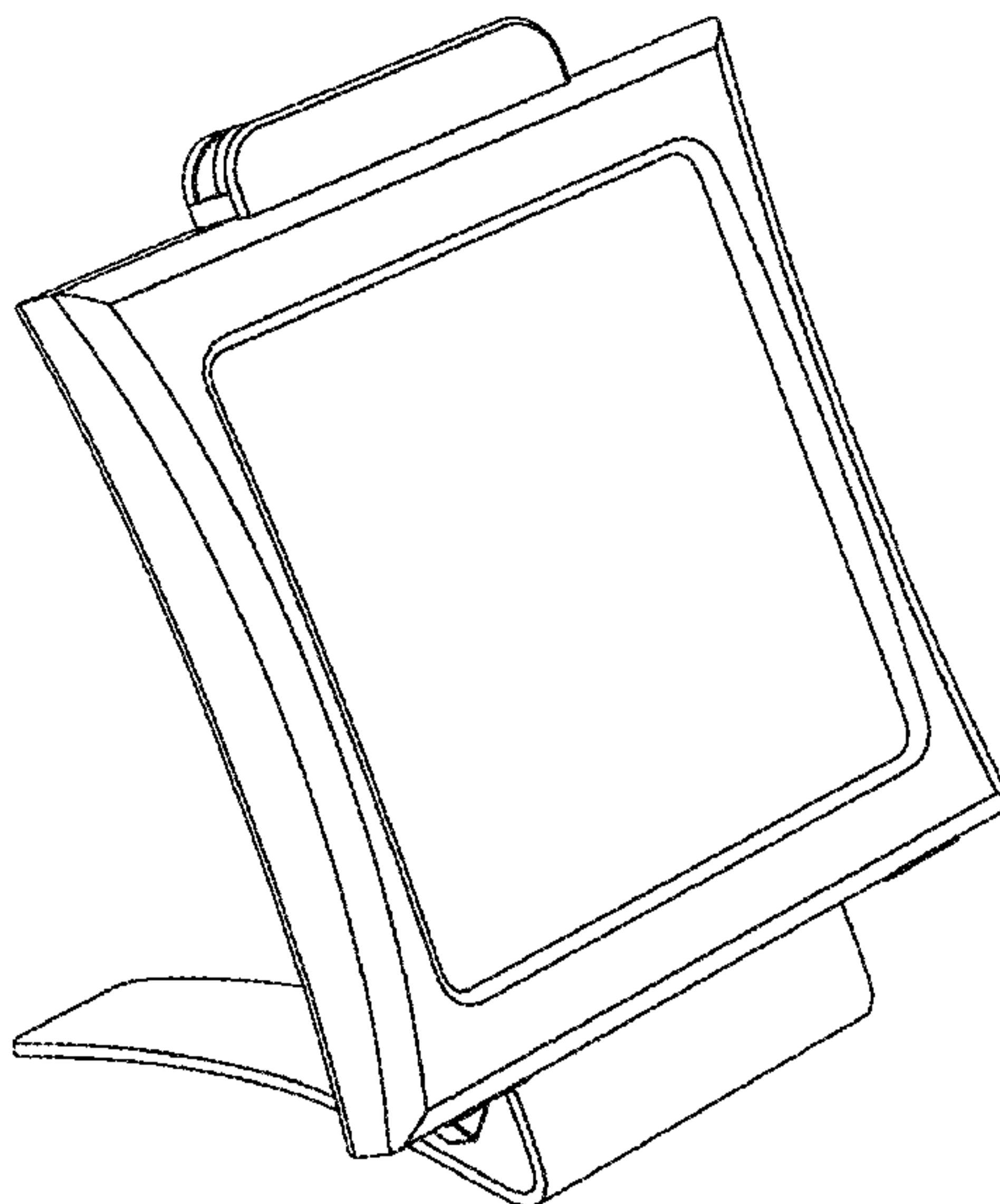
FIG. 6: is the back elevation view thereof.

1 Claim, 6 Drawing Sheets

(56) **References Cited**

U.S. PATENT DOCUMENTS

- D357,495 S * 4/1995 Skaggs D14/336
- D360,196 S * 7/1995 Cox D18/4.5
- D473,869 S * 4/2003 Tai D14/375
- D494,176 S * 8/2004 Porter D14/336
- D496,658 S * 9/2004 Koloski D14/341
- D501,853 S * 2/2005 Koloski D14/341
- D524,312 S * 7/2006 Young D14/375
- D529,911 S * 10/2006 Yamashiro D14/375



(56)

References Cited

U.S. PATENT DOCUMENTS

D747,763 S * 1/2016 Haller D18/4.5
D755,783 S * 5/2016 Shi D14/336
D763,346 S * 8/2016 Jenkins D18/4.5
D772,335 S * 11/2016 Mantrawadi D18/4.6
D773,554 S * 12/2016 Zong D18/4.4
2013/0286200 A1* 10/2013 Kawasaki H04N 7/18
348/143
2013/0320177 A1* 12/2013 Chen F16M 11/10
248/371
2014/0144988 A1* 5/2014 Chiang G07G 1/0018
235/449
2016/0120050 A1* 4/2016 Chen G06F 1/16
361/679.01

* cited by examiner

Fig.1

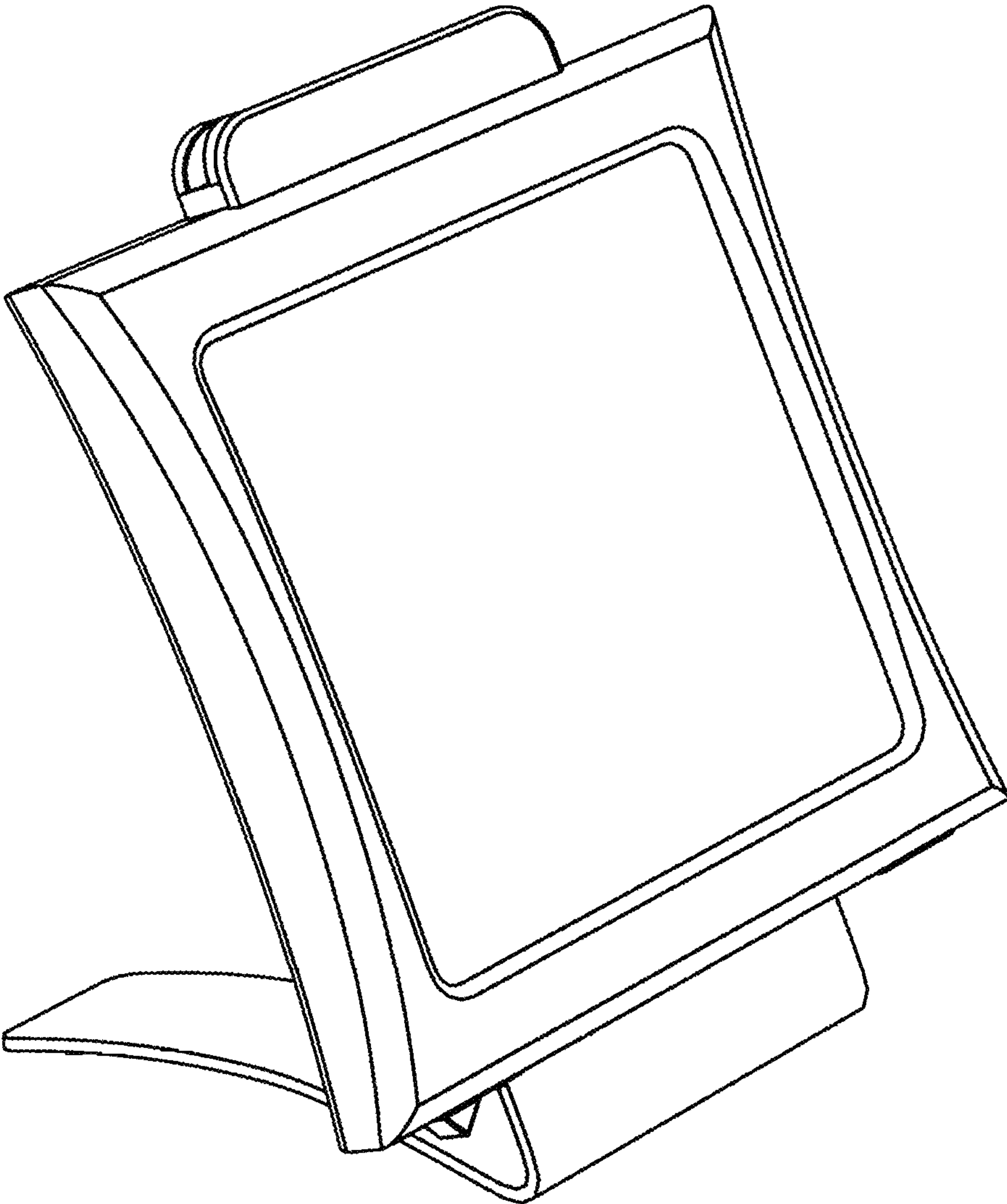


Fig.2

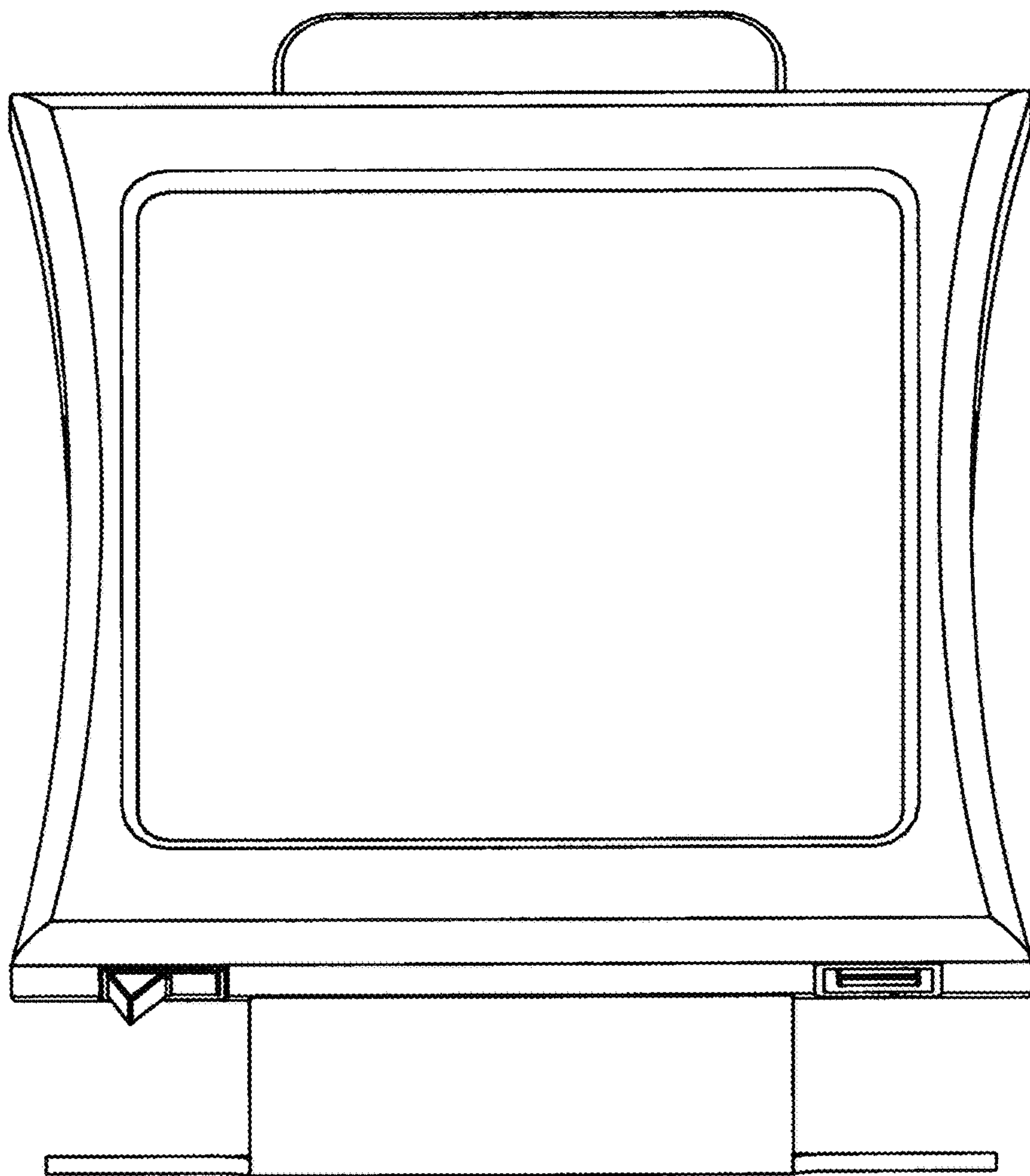


Fig.3

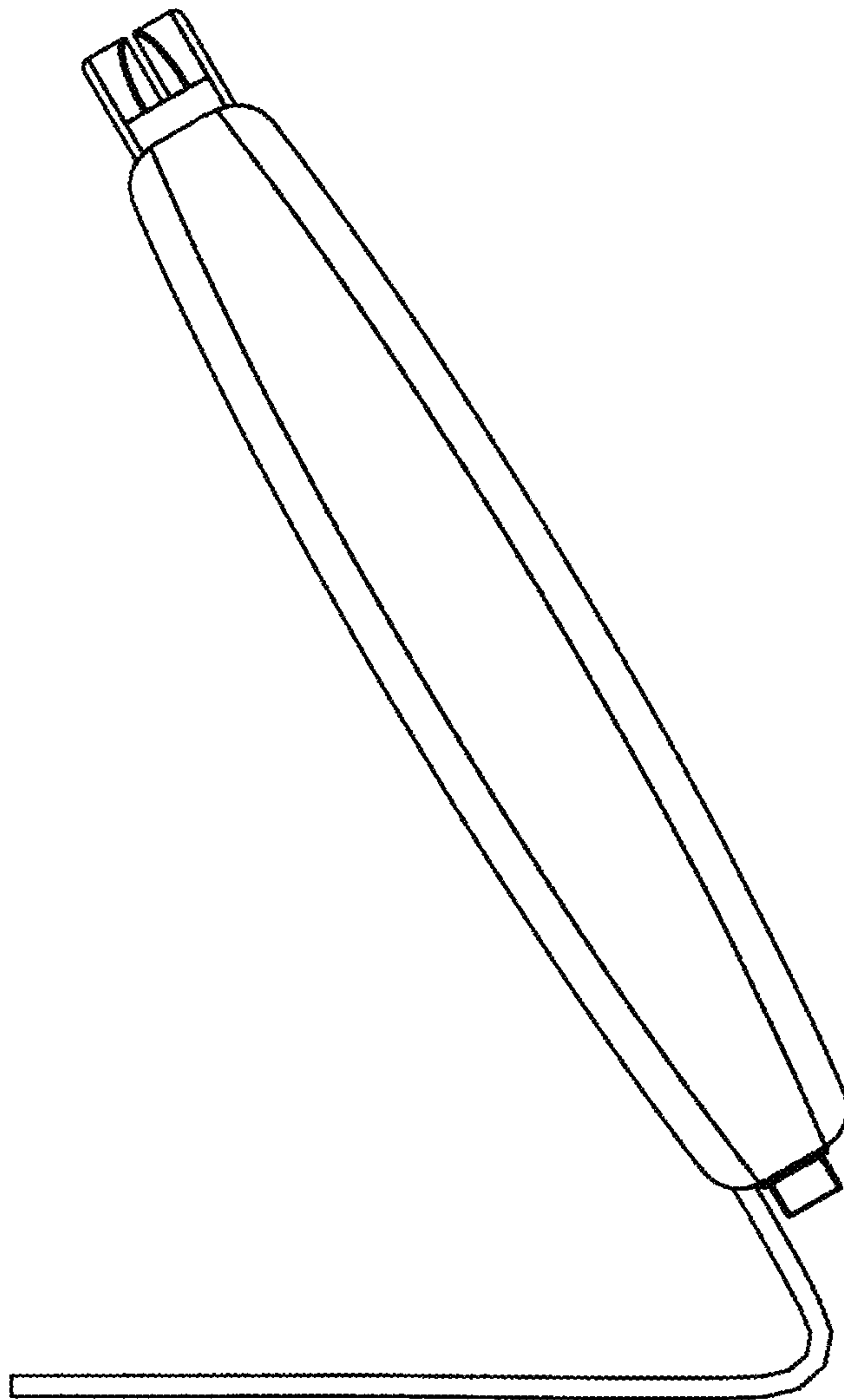


Fig.4

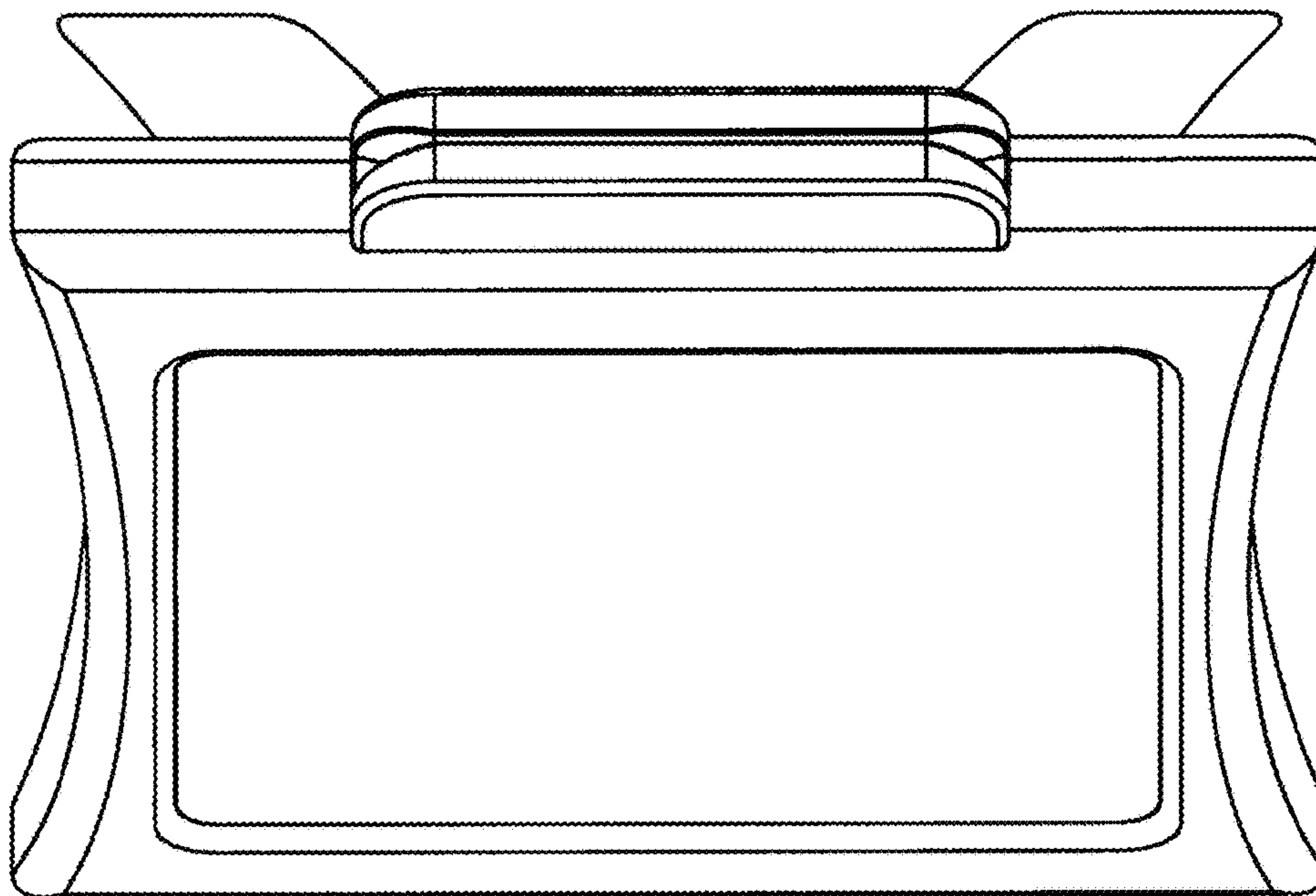


Fig.5

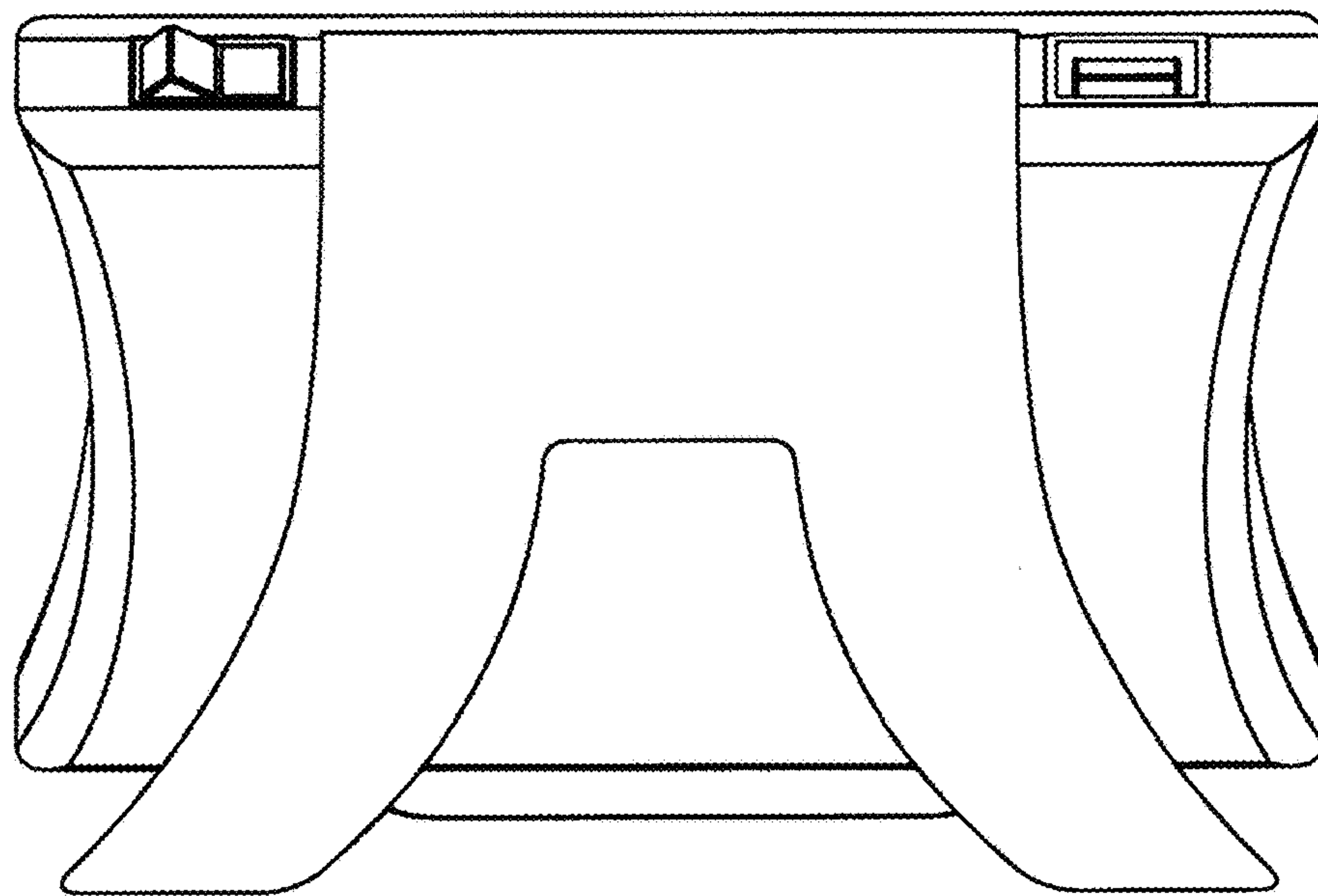


Fig.6

