



US00D791859S

(12) **United States Design Patent** (10) **Patent No.:** **US D791,859 S**
Graham (45) **Date of Patent:** **** Jul. 11, 2017**

(54) **ELECTRONIC DEVICE FOR MUSICAL INSTRUMENT**

(71) Applicant: **Roger William Graham**, Santa Barbara, CA (US)

(72) Inventor: **Roger William Graham**, Santa Barbara, CA (US)

(**) Term: **14 Years**

(21) Appl. No.: **29/524,710**

(22) Filed: **Apr. 22, 2015**

(51) **LOC (10) Cl.** **17-99**

(52) **U.S. Cl.**
USPC **D17/99**

(58) **Field of Classification Search**
USPC D17/20, 99; 84/711, 721, 746; D14/217; 700/94
CPC G10H 1/32; G10H 1/46; G06F 17/00
See application file for complete search history.

(56) **References Cited**

U.S. PATENT DOCUMENTS

D235,779 S *	7/1975	Barr	D10/46
D236,212 S *	8/1975	Beigel	D14/188
D244,215 S *	5/1977	Ross	D14/217
5,022,305 A	6/1991	butler		
5,627,336 A *	5/1997	Stevens	G10H 1/0555 84/746
D405,461 S	2/1999	excellente		
D421,621 S *	3/2000	Cooper	84/454
D504,458 S *	4/2005	Edwards	D17/20
D518,086 S *	3/2006	Ito	D17/99
D561,241 S	2/2008	ridinger		
7,476,799 B2	1/2009	purchon		

7,711,442 B2	5/2010	ryle		
D630,616 S *	1/2011	Vex	D14/217
D682,346 S *	5/2013	Bogdan	D17/20
8,525,015 B2	9/2013	armstrong		
8,609,973 B2	12/2013	d'amours		
D752,130 S *	3/2016	Alstad	D17/20
2008/0173164 A1	7/2008	francis		
2009/0199700 A1	8/2009	goldstein		
2012/0297963 A1 *	11/2012	Armstrong	G10H 1/348 84/746
2014/0123839 A1	5/2014	Gadol, III		

* cited by examiner

Primary Examiner — Susan Bennett Hattan
Assistant Examiner — S. Bryan Reinholdt, Jr.
(74) *Attorney, Agent, or Firm* — Roger W. Graham

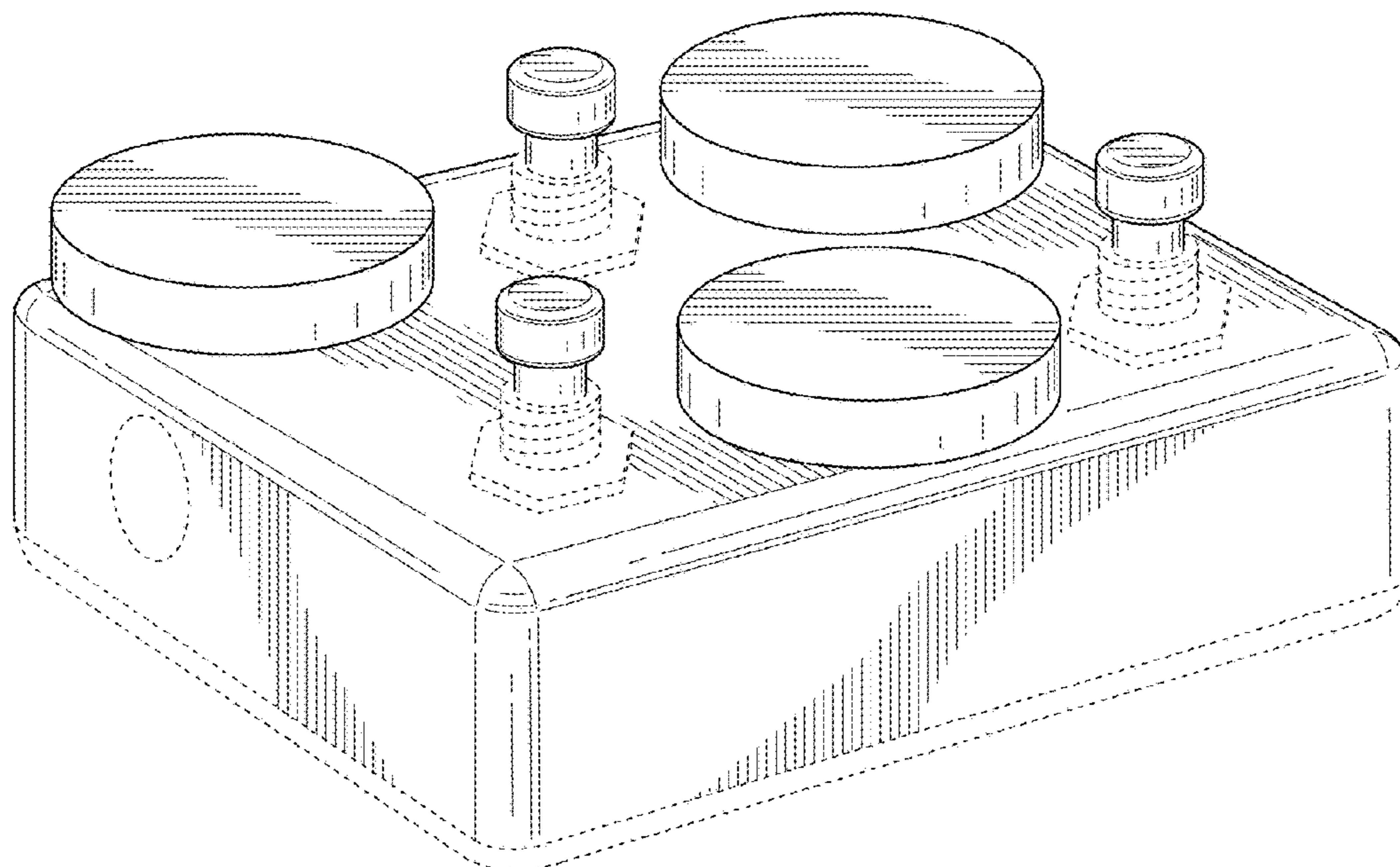
(57) **CLAIM**

The ornamental design for an electronic device for musical instrument, as shown and described.

DESCRIPTION

FIG. 1 Is a perspective view of the electronic device for musical instrument illustrating my new ornamental design; FIG. 2 Is a top view perspective showing my new design; FIG. 3 Is a left side view thereof; FIG. 4 Is a right side view thereof; FIG. 5 Is a front view thereof; and, FIG. 6 Is a rear view thereof.
The broken lines in FIGS. 1-6 show portions of the invention which form no part of the claimed design. The bottom portion of the present invention is depicted in broken lines and thus unclaimed. The shade lines in FIGS. 1-6 show contour and not surface ornamentation.

1 Claim, 13 Drawing Sheets



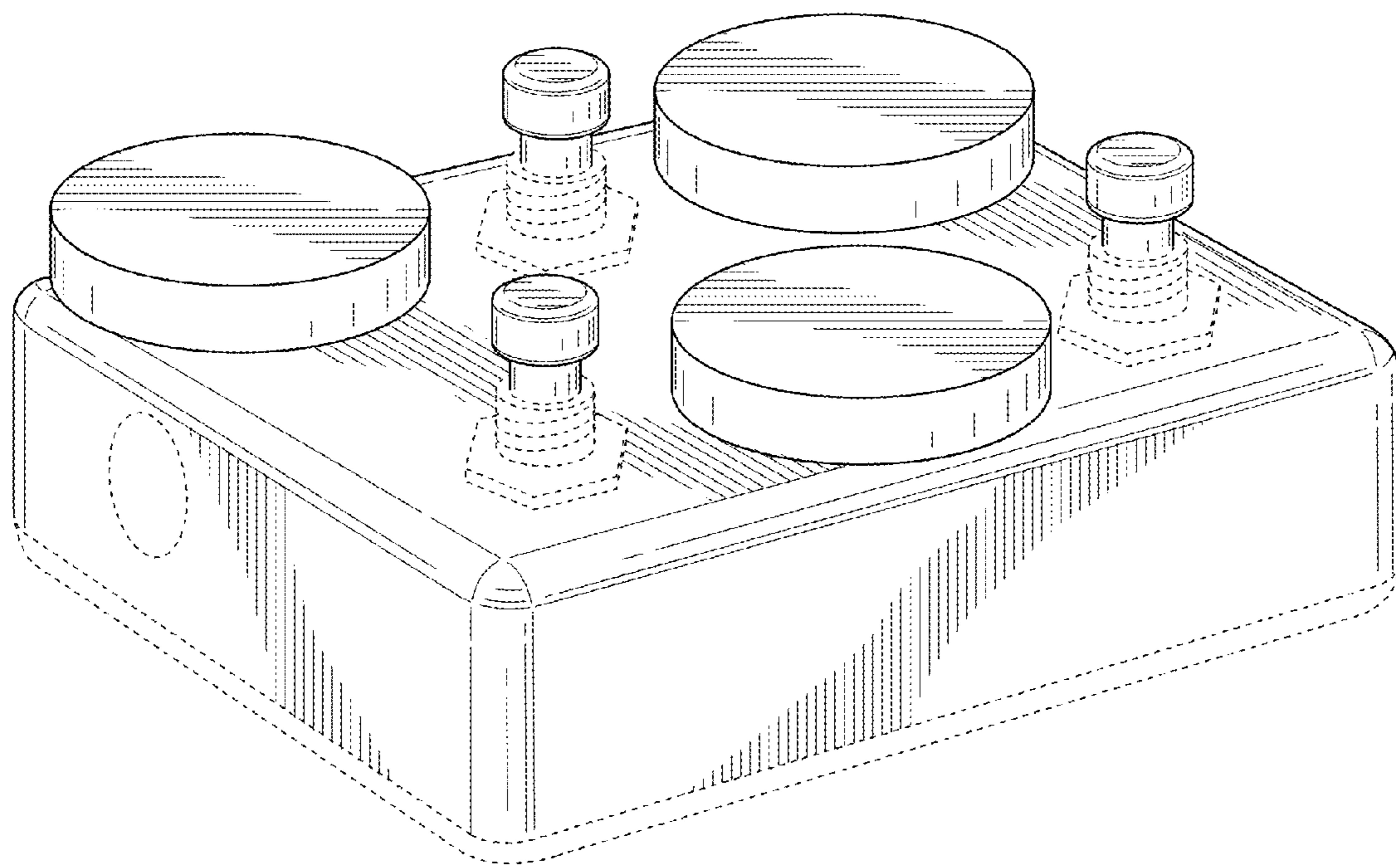


FIG. 1

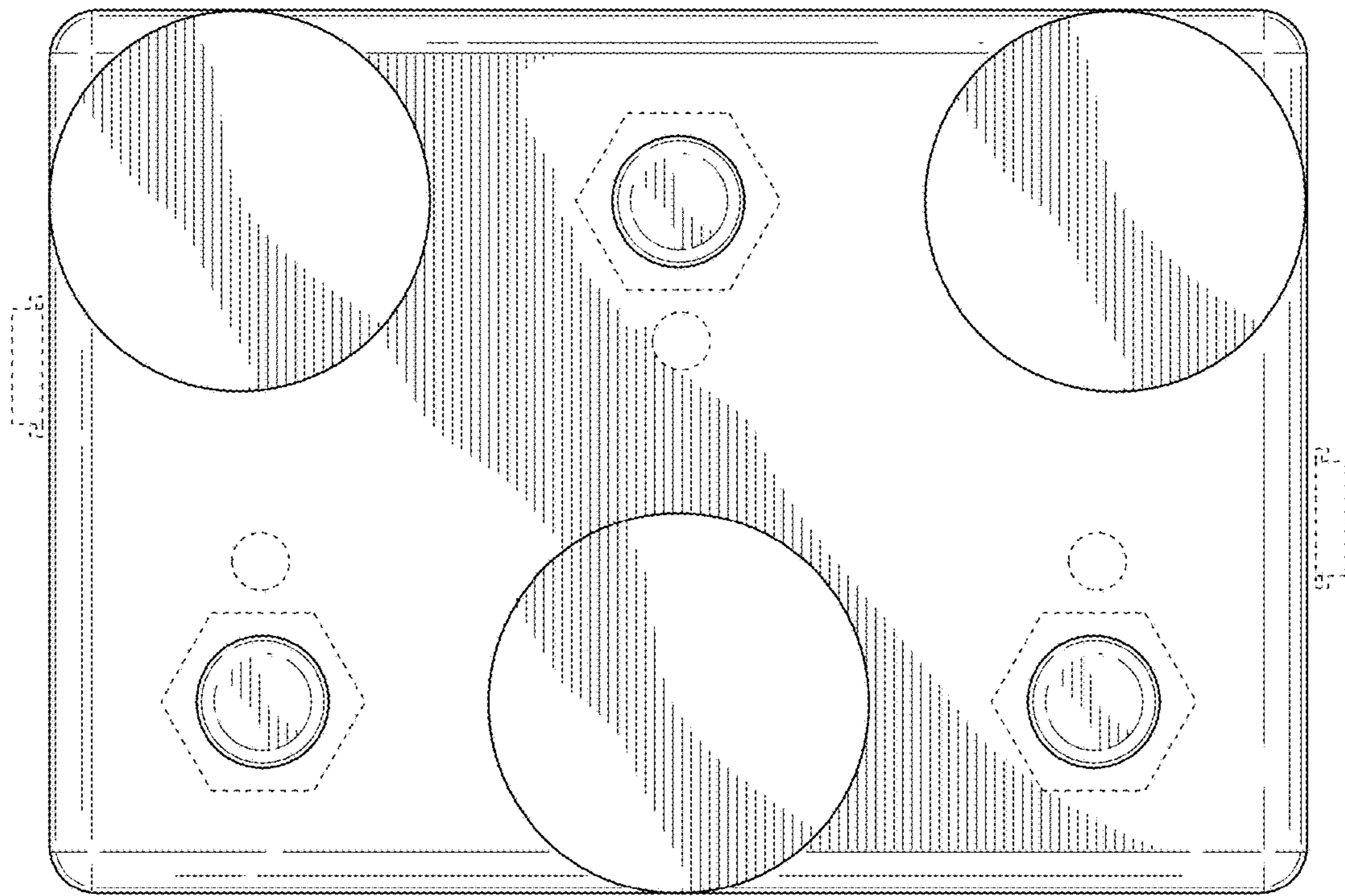


FIG. 2

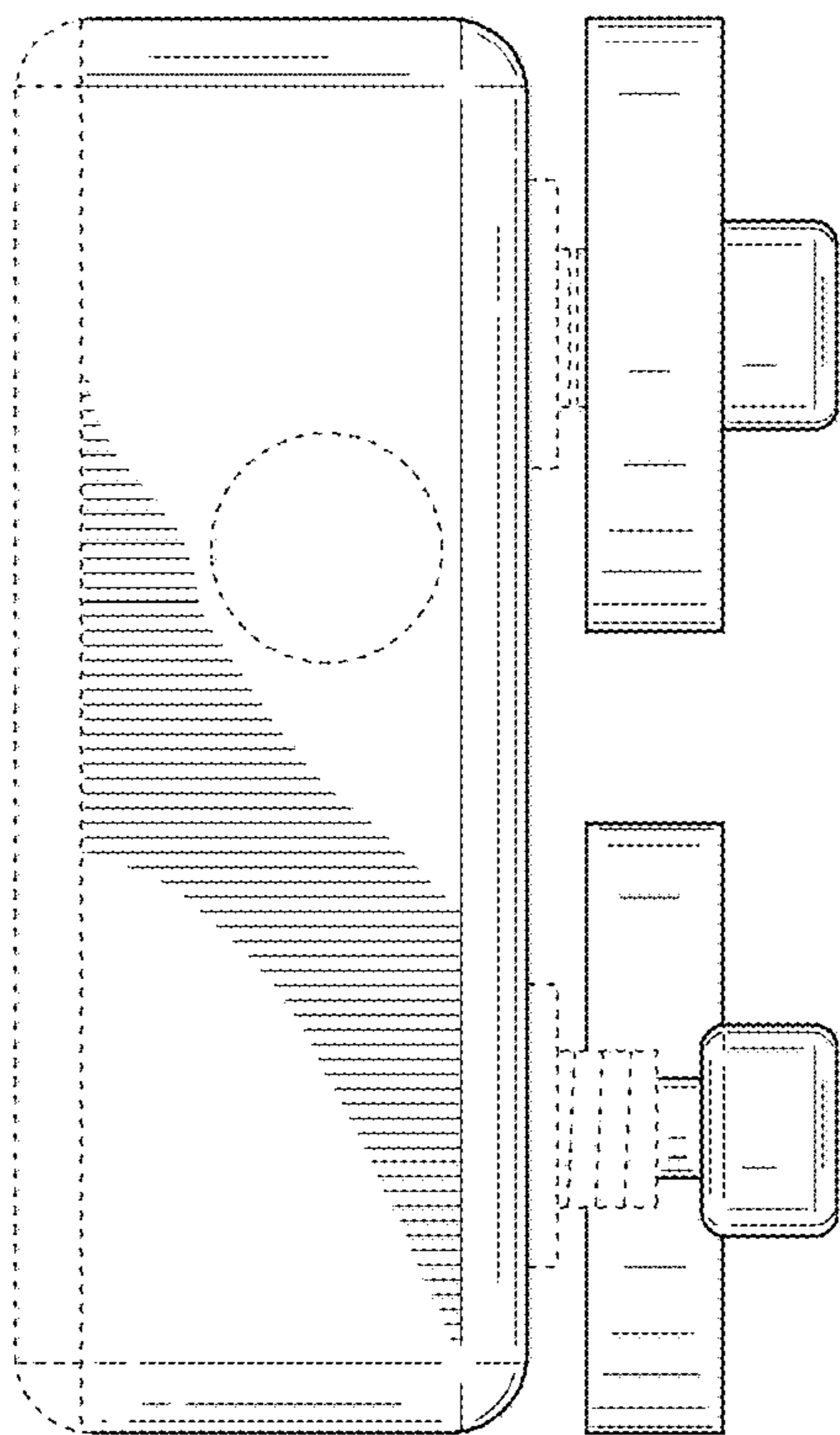


FIG. 3

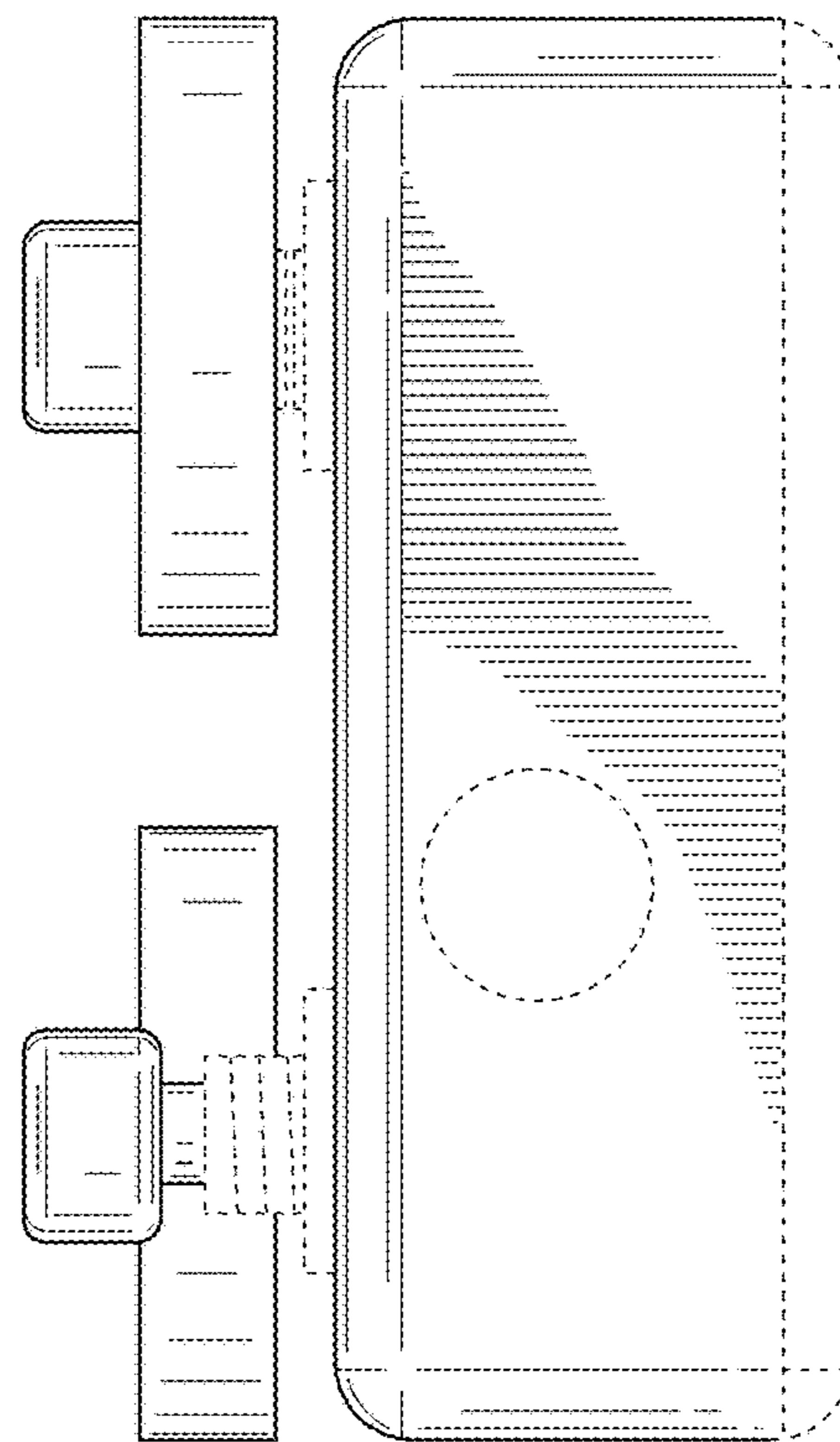


FIG. 4

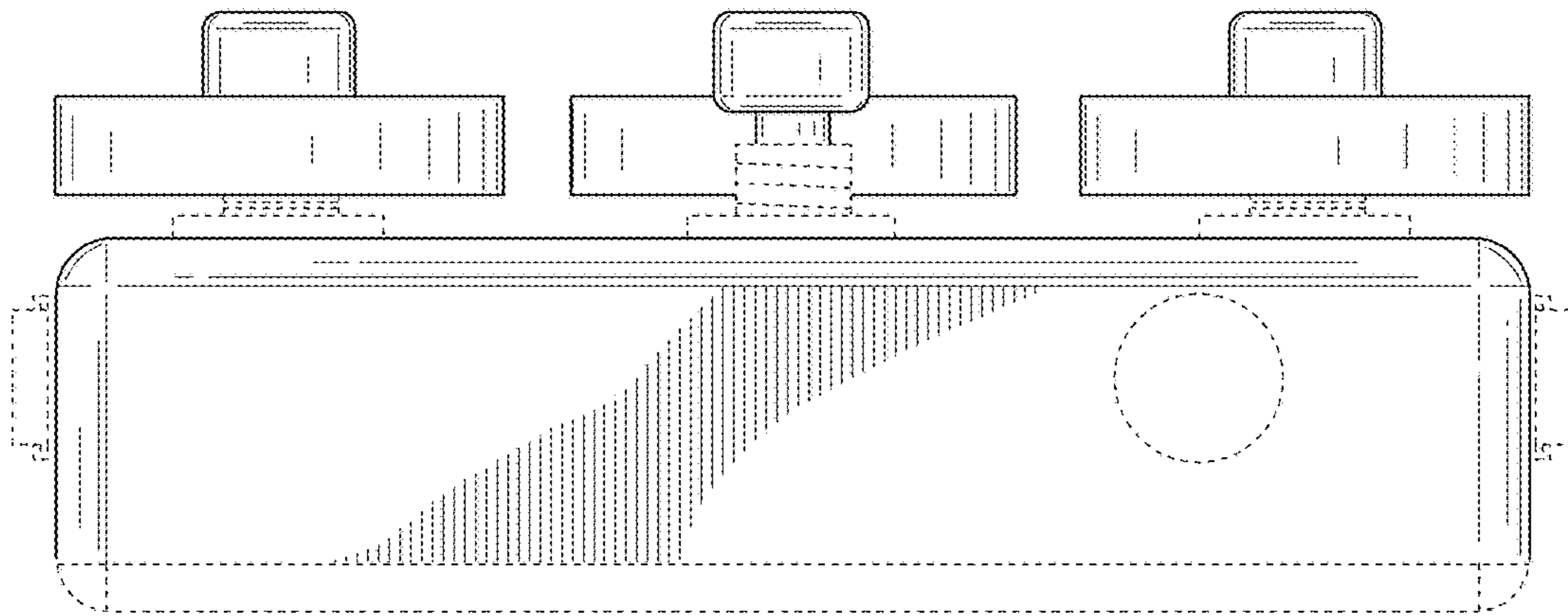


FIG. 5

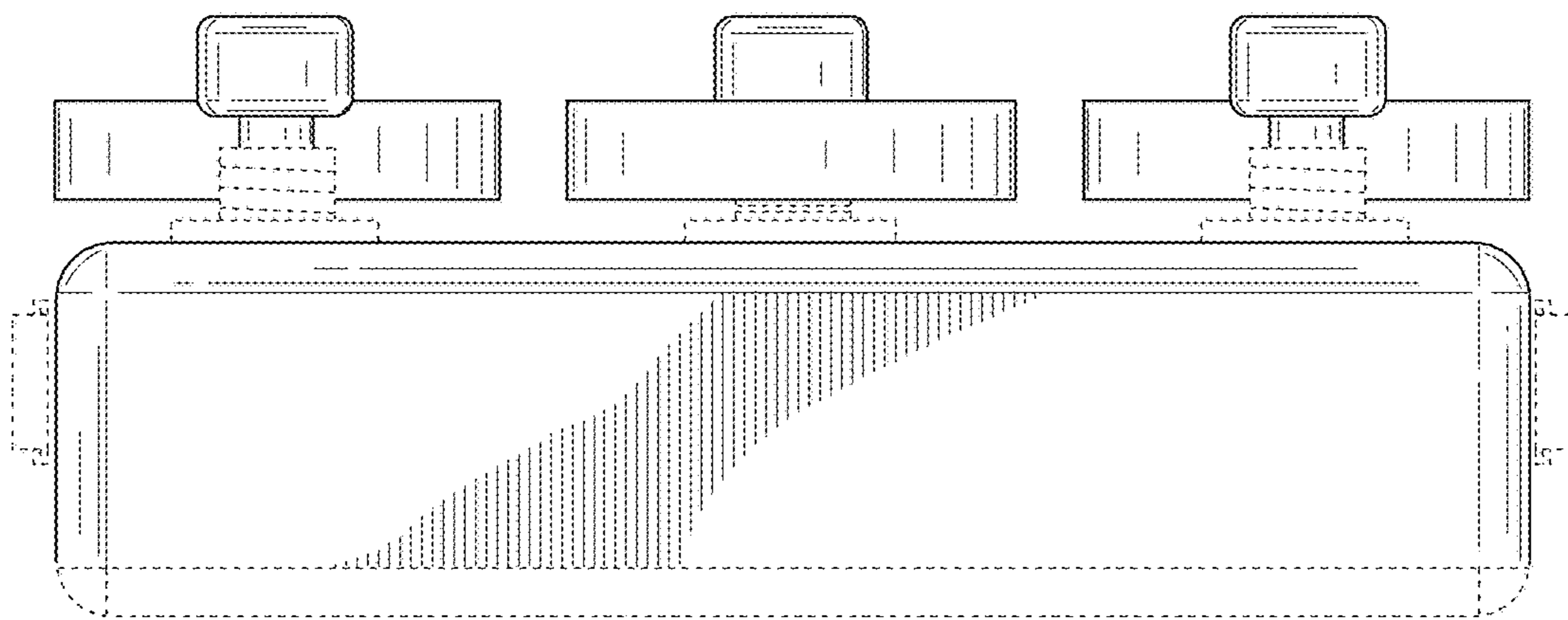


FIG. 6

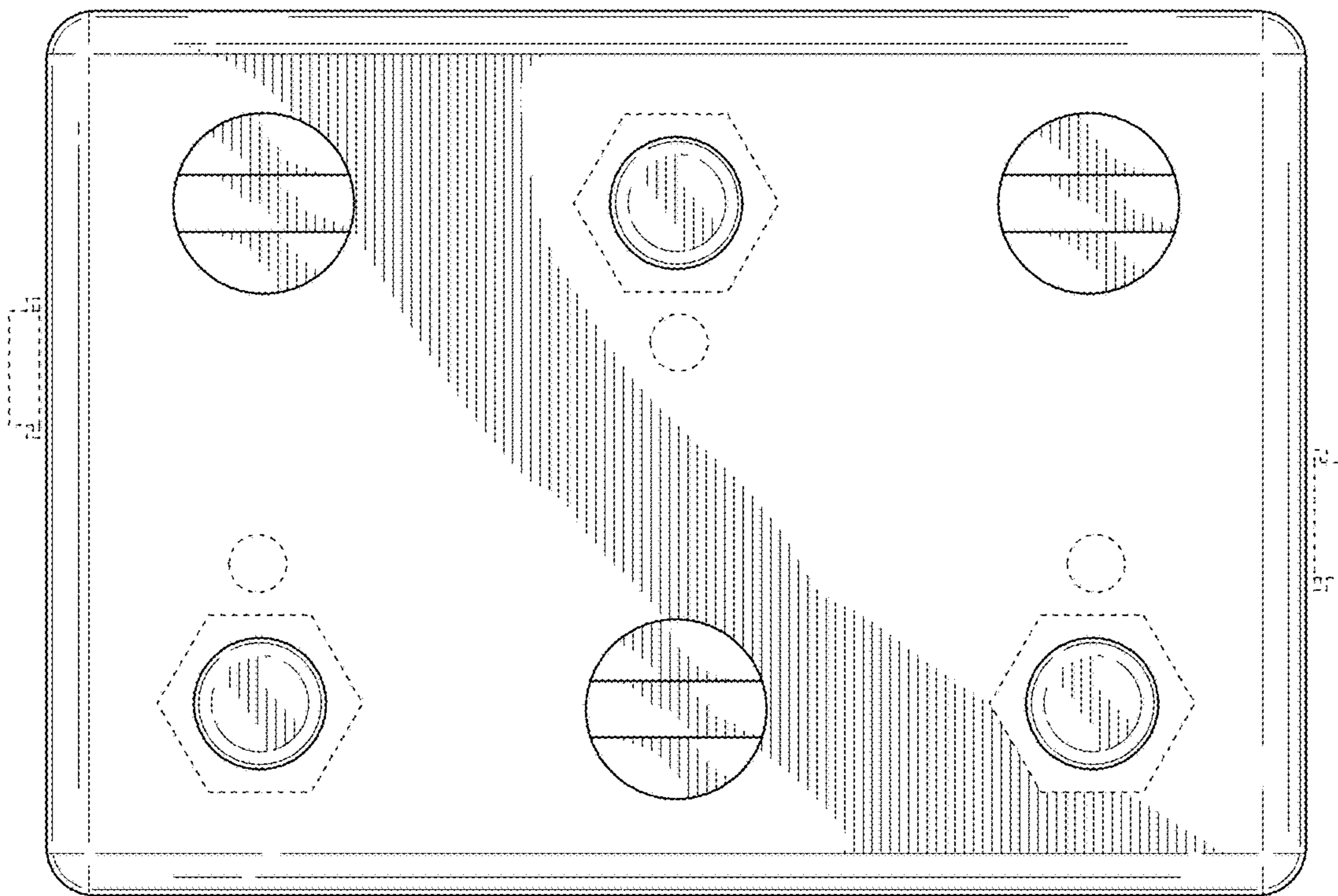


FIG. 7

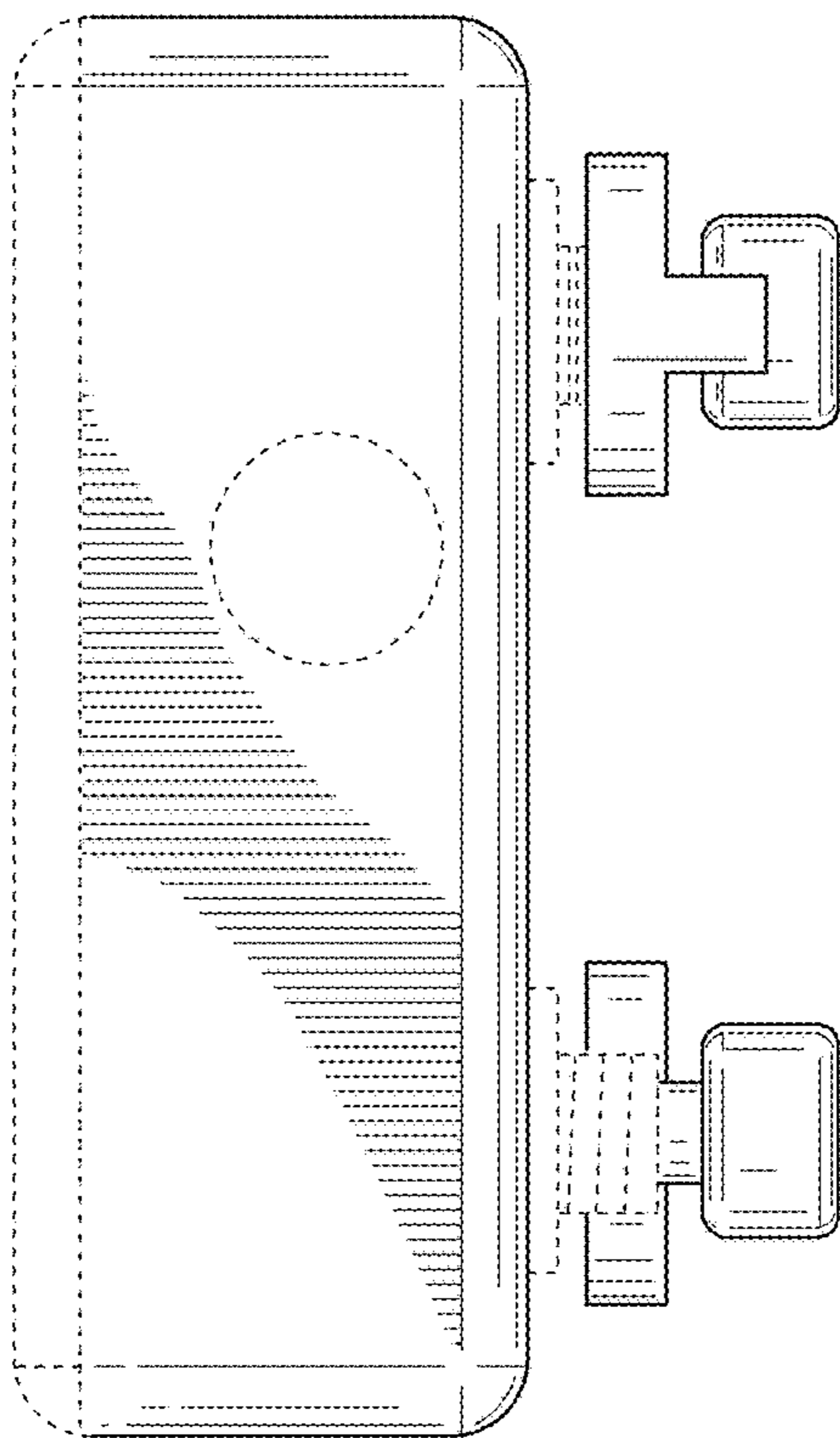


FIG. 8

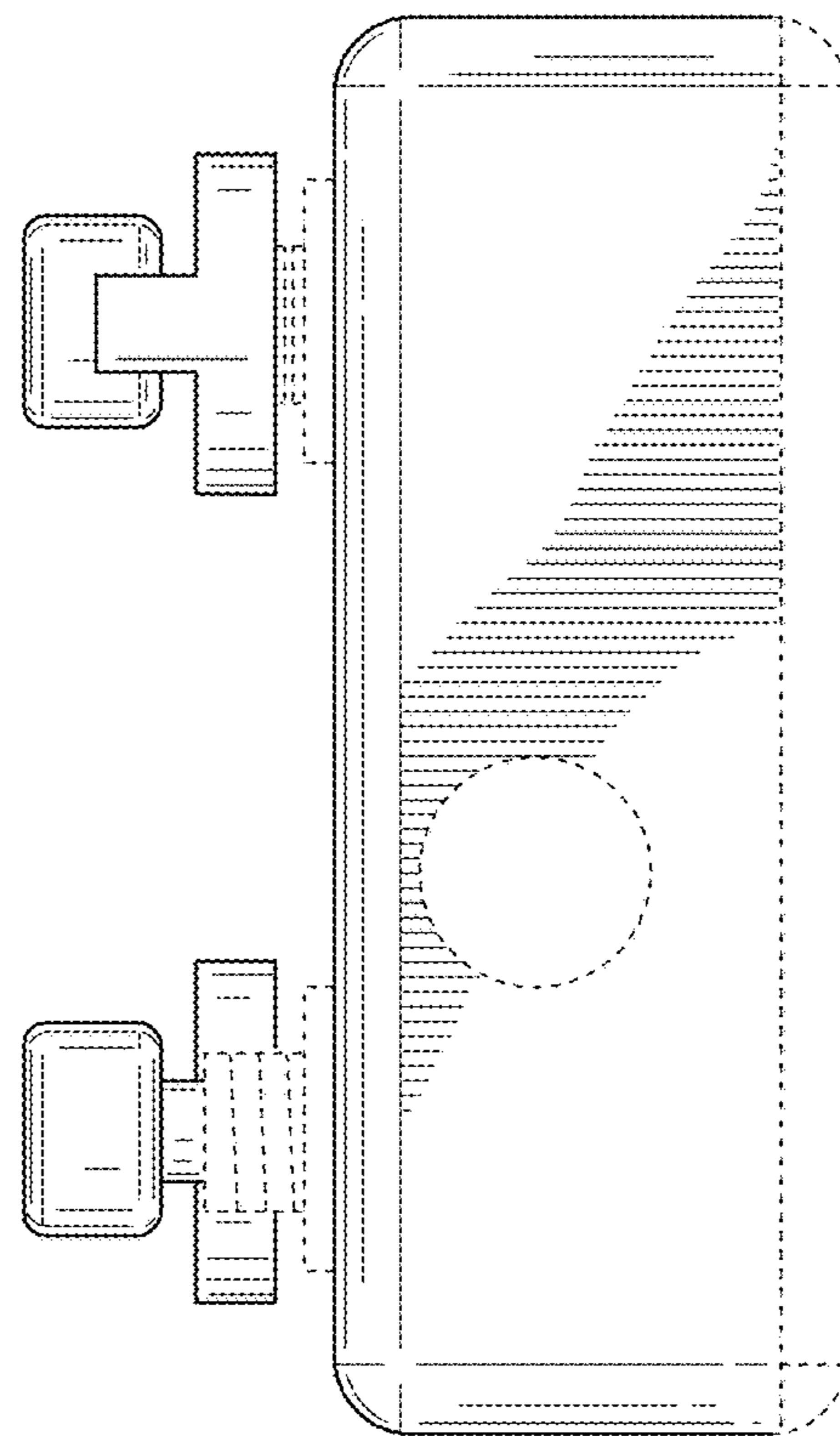


FIG. 9

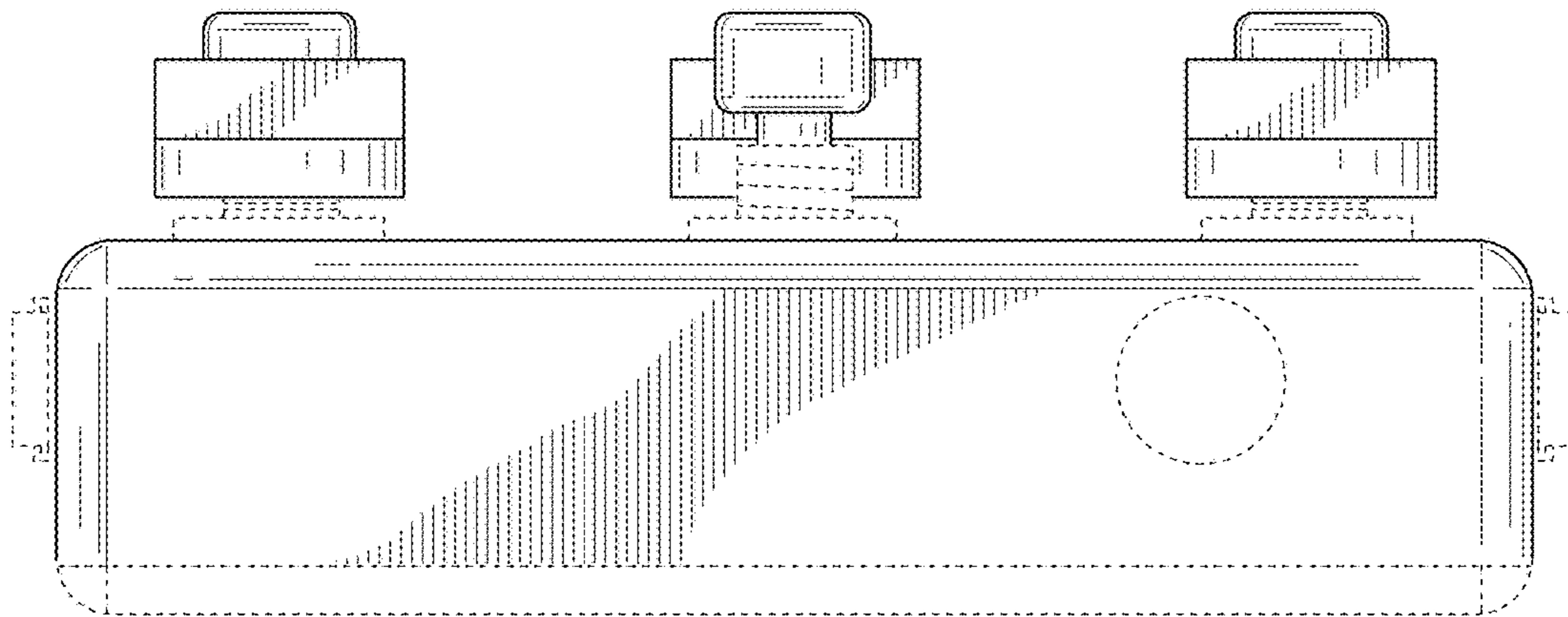


FIG. 10

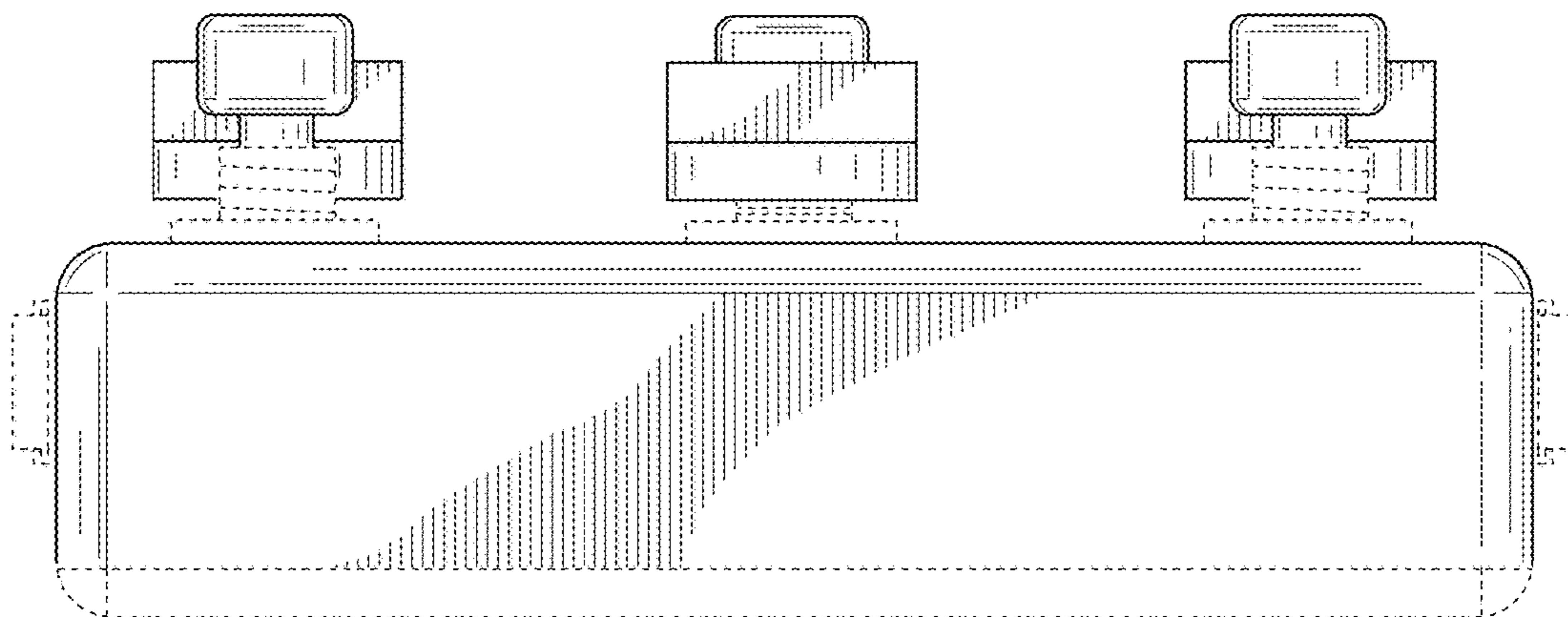


FIG. 11

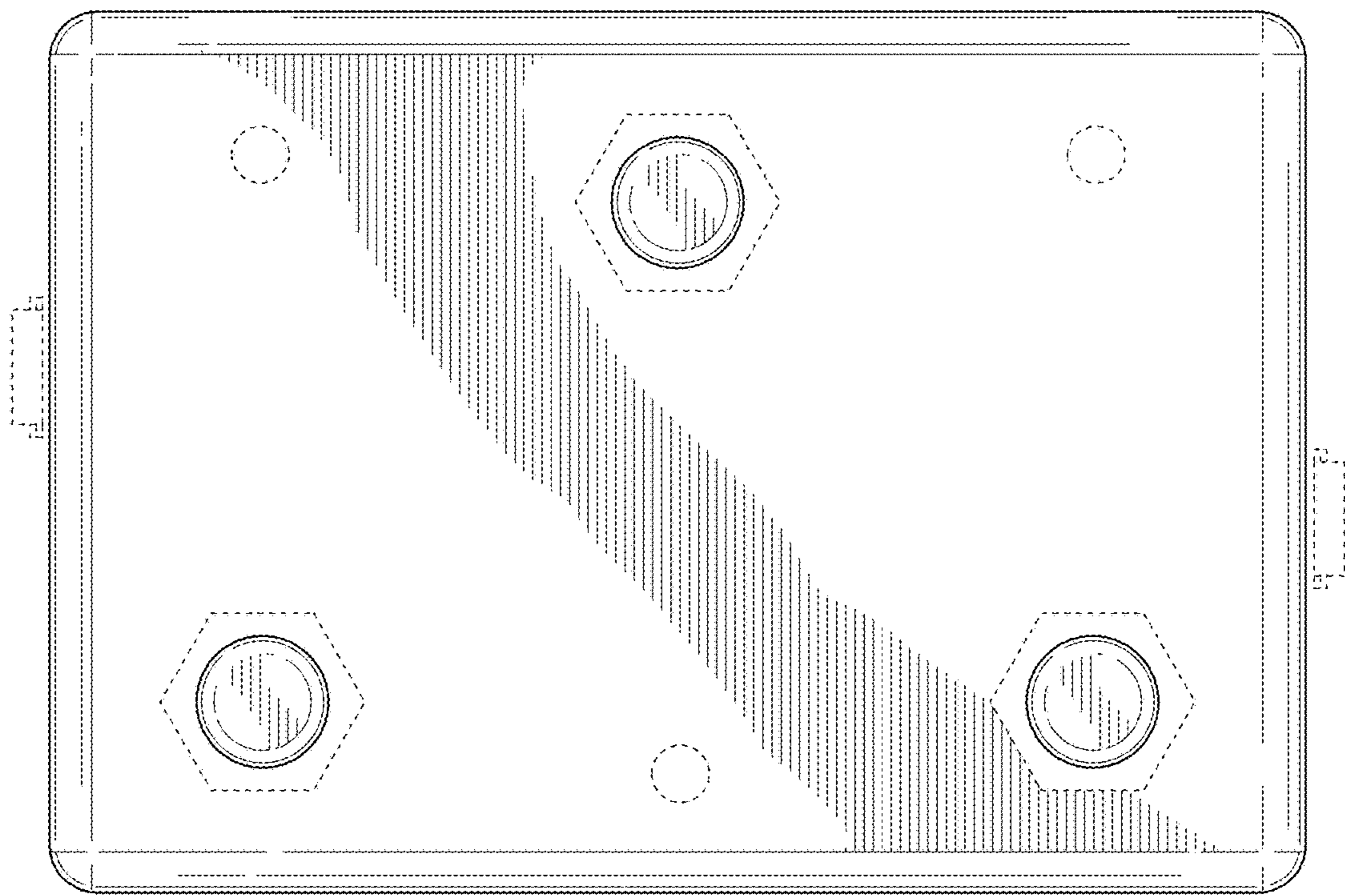


FIG. 12

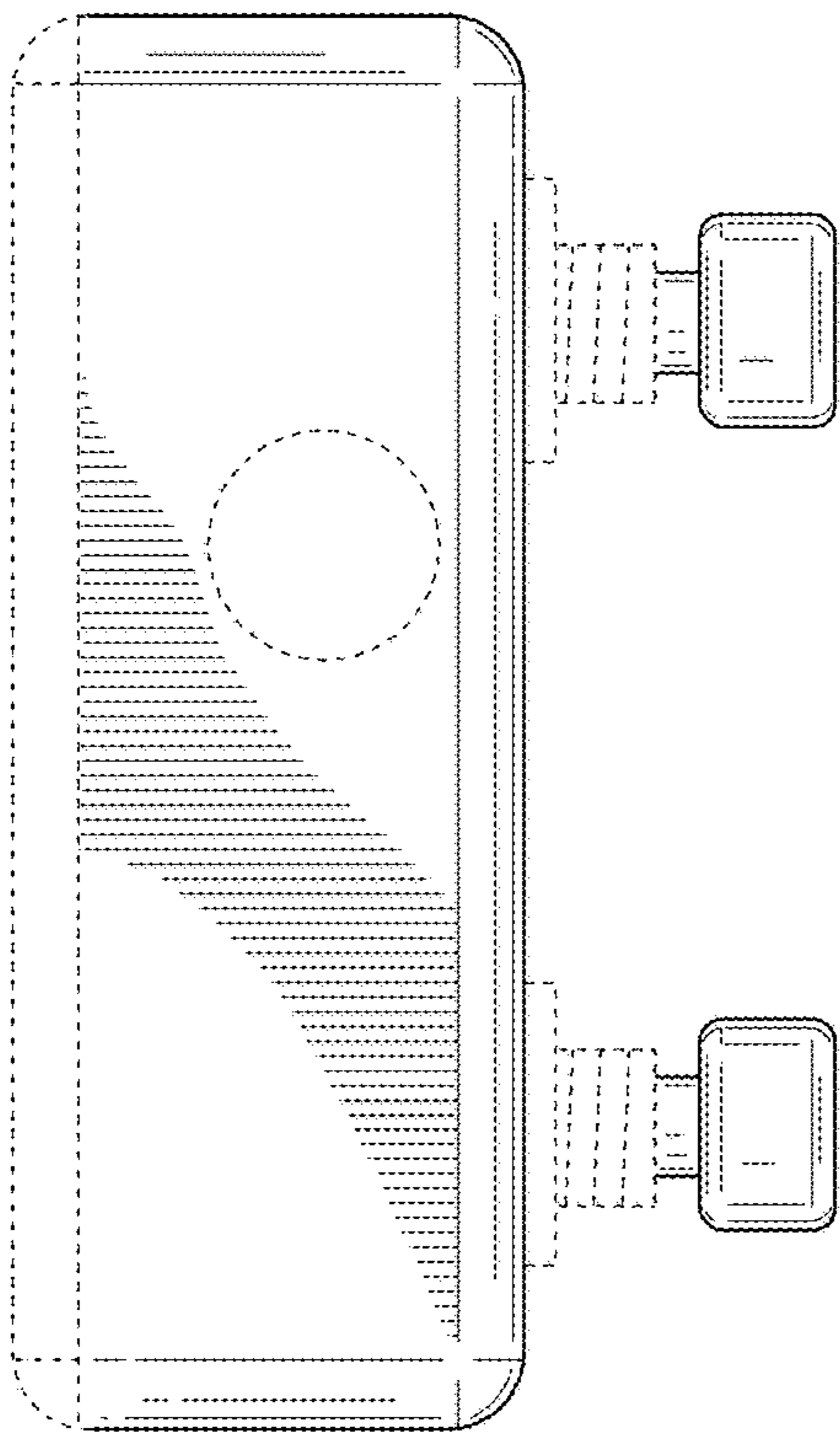


FIG. 13

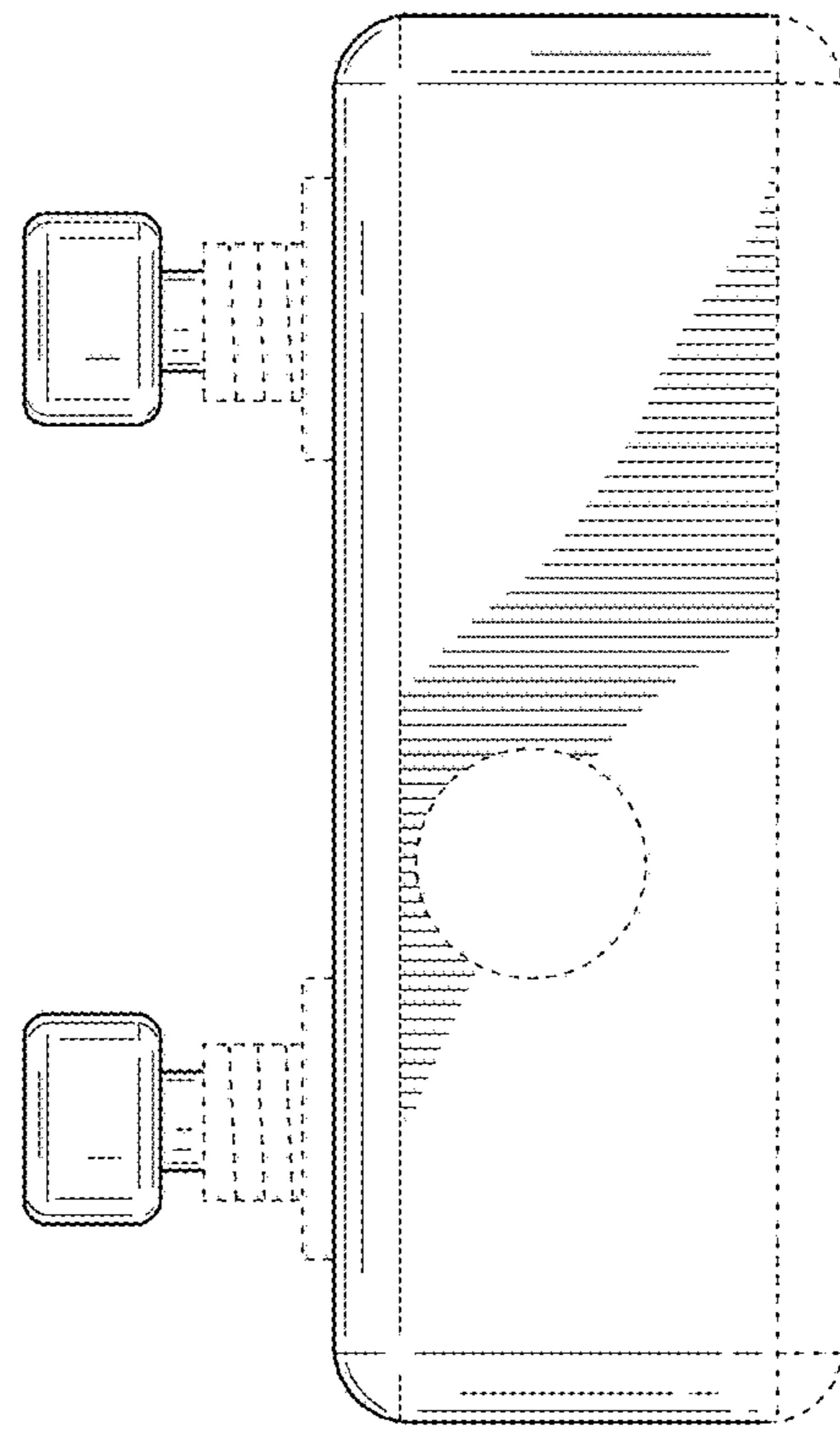


FIG. 14

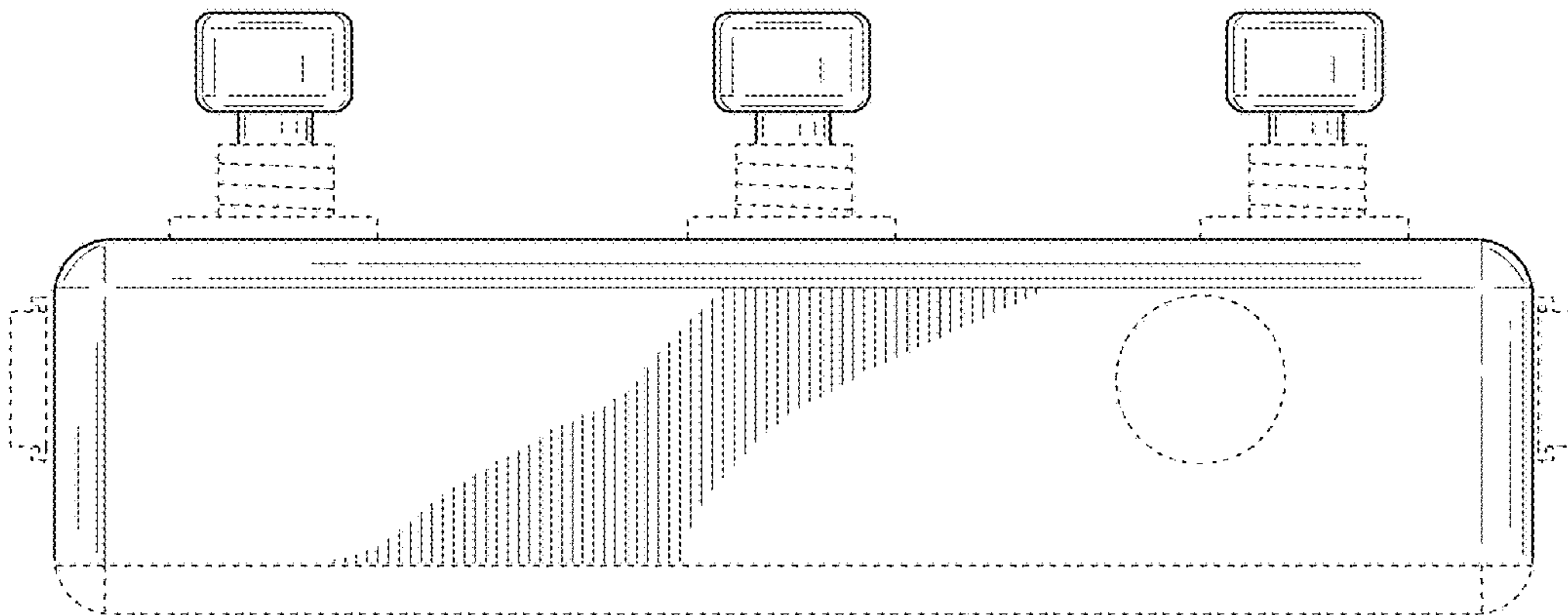


FIG. 15

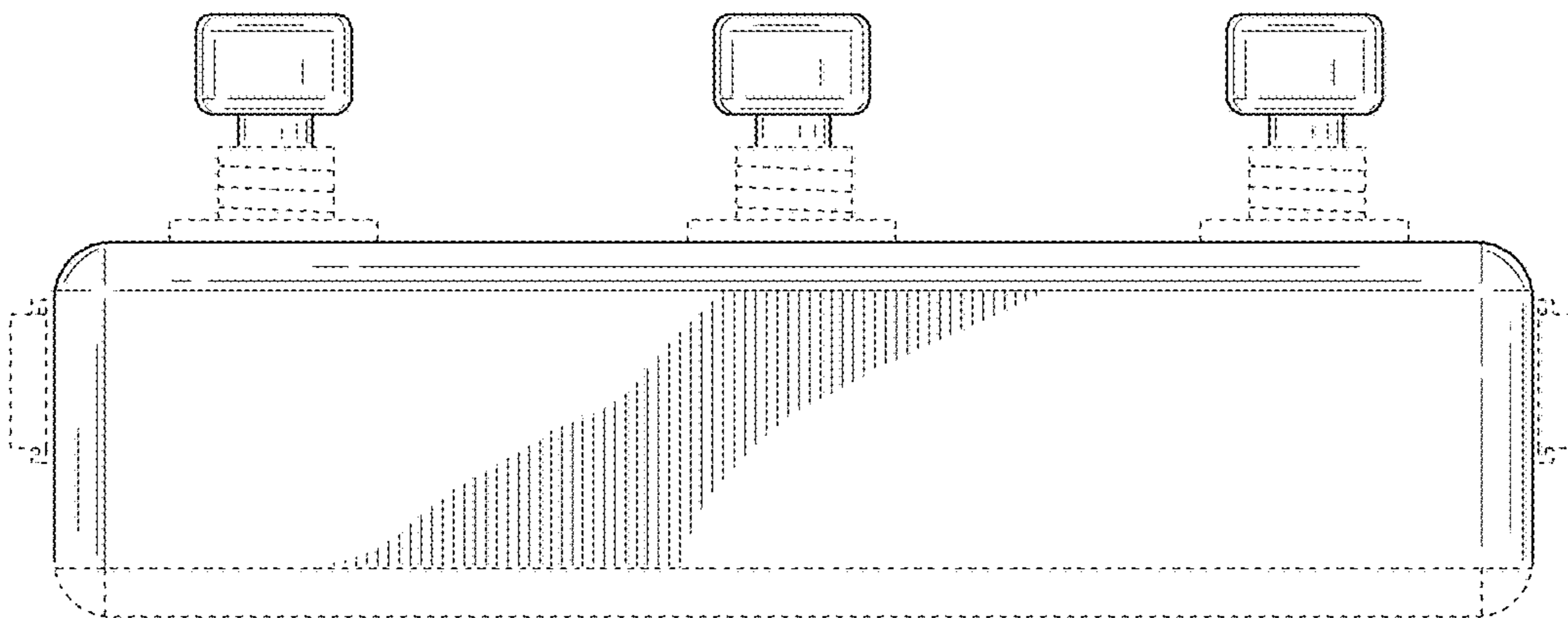


FIG. 16

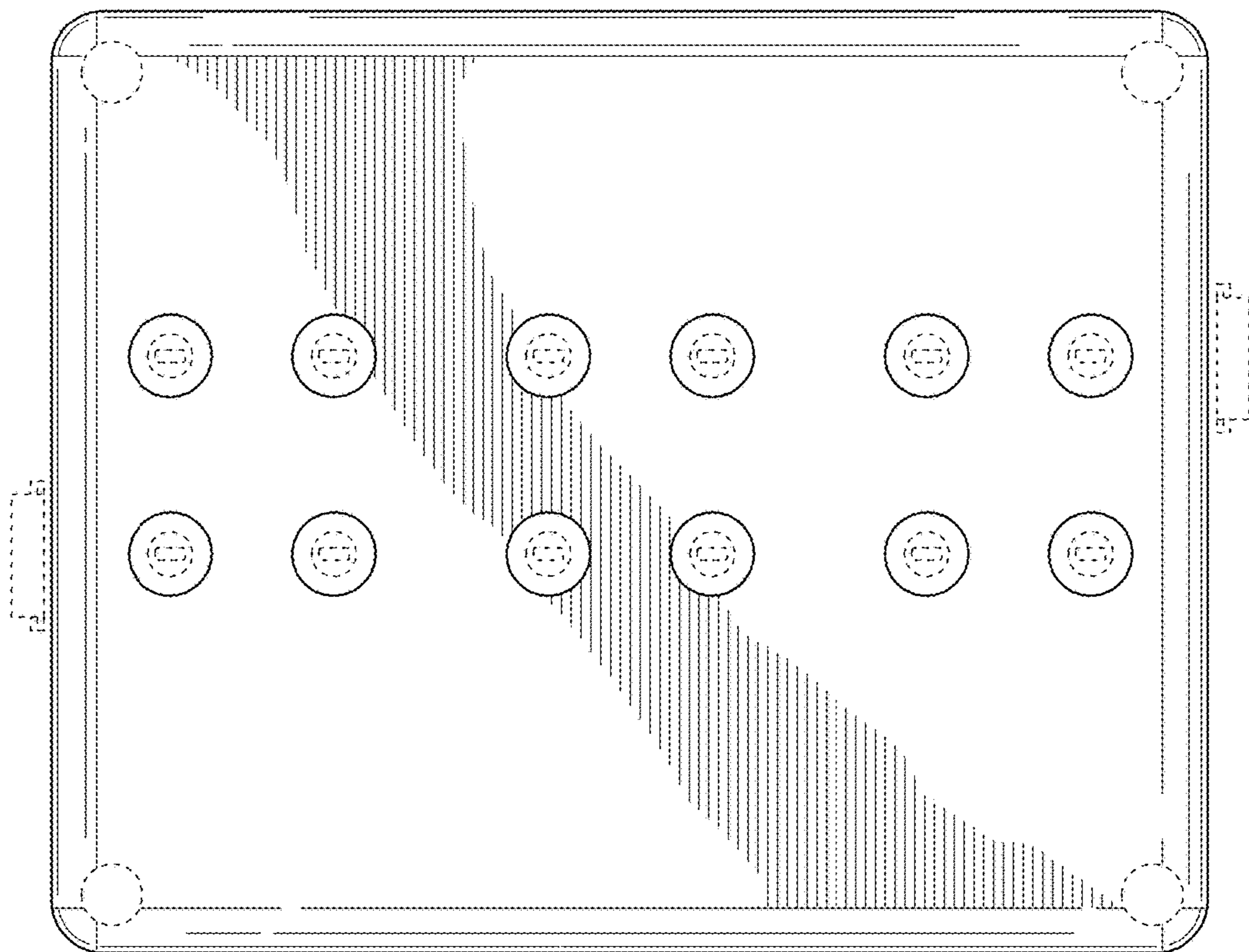


FIG. 17

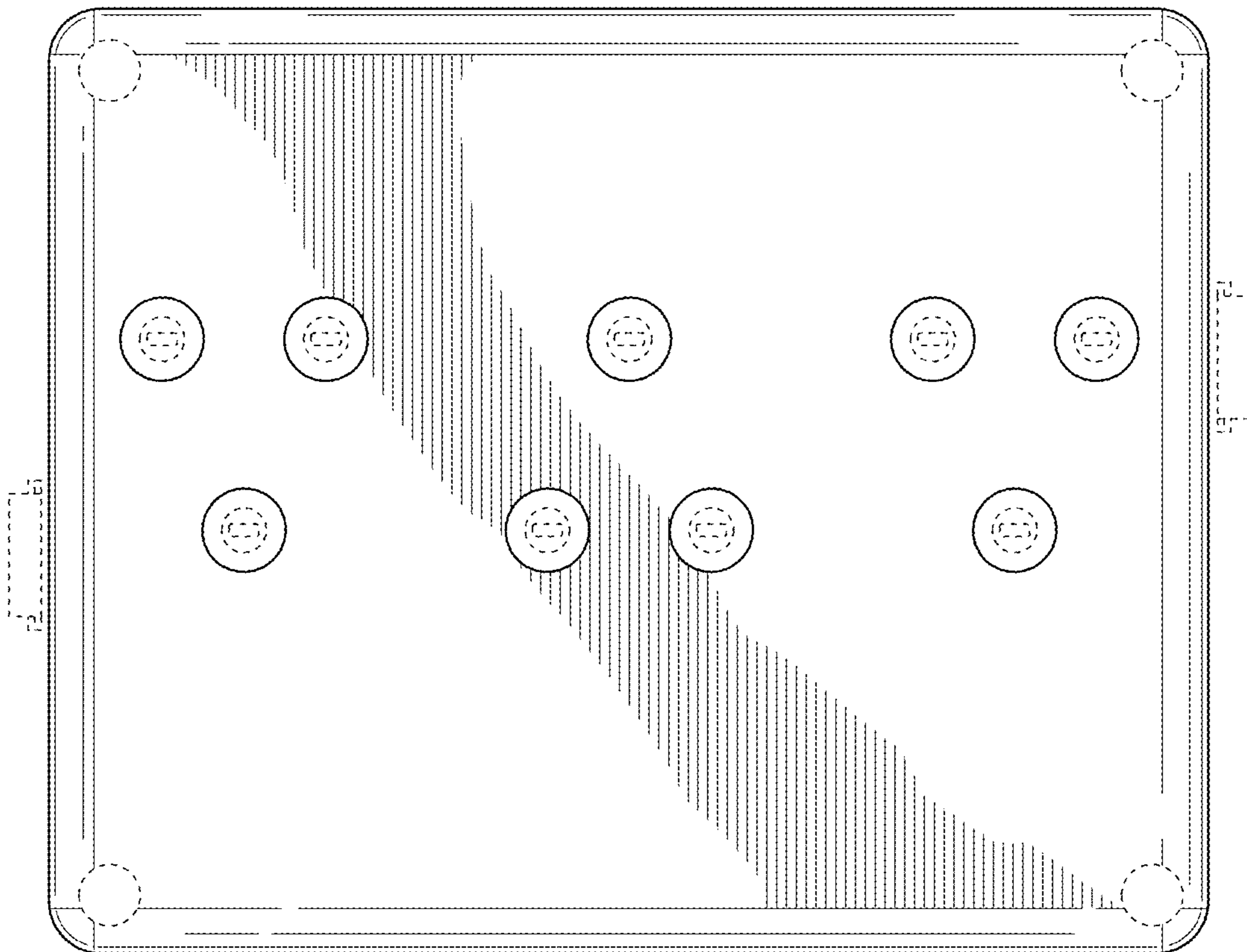


FIG. 18

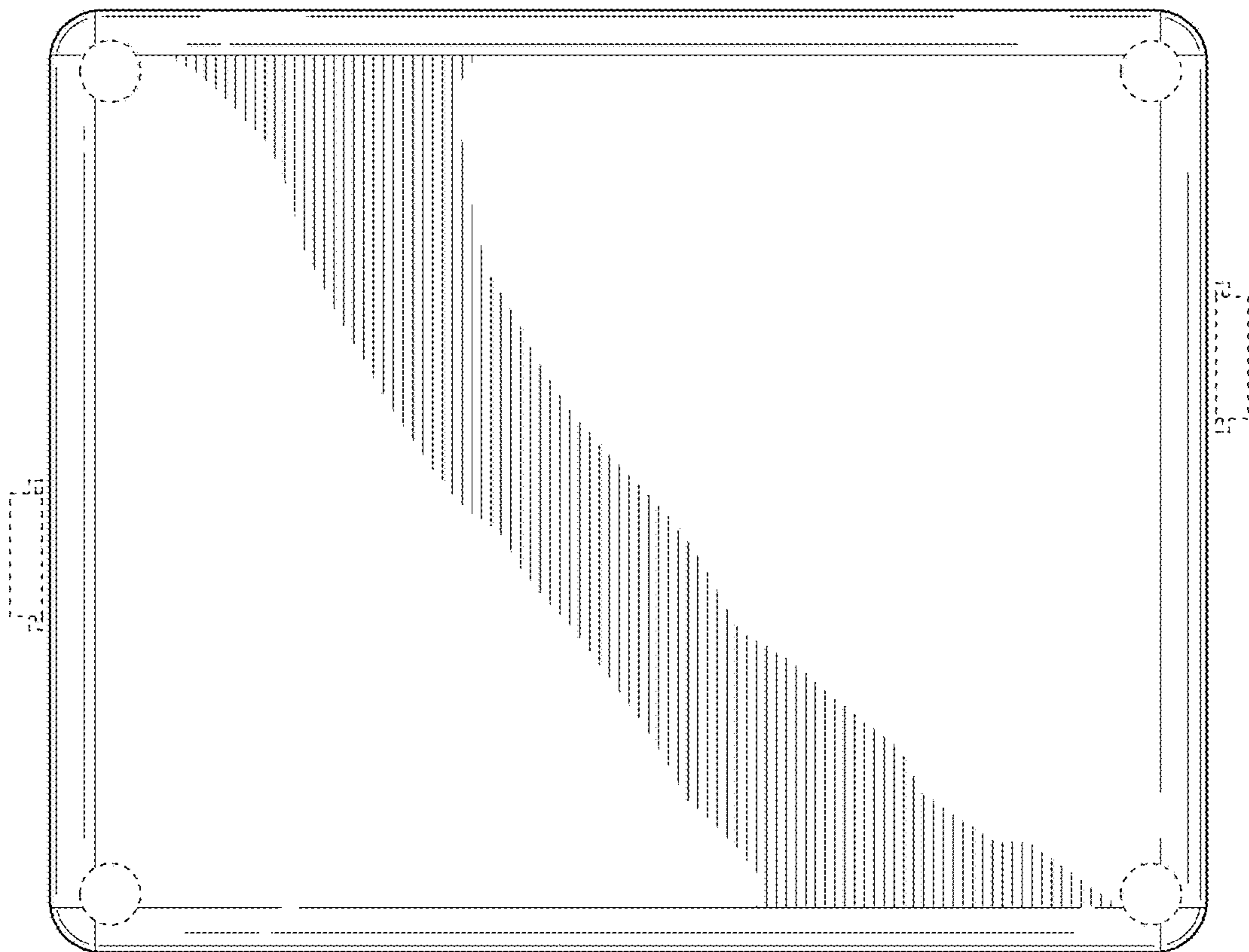


FIG. 19