



US00D791858S

(12) **United States Design Patent** (10) **Patent No.:** **US D791,858 S**  
**Tillmann** (45) **Date of Patent:** **\*\* Jul. 11, 2017**

(54) **CONTACT LENS INSERTER**  
(71) Applicant: **TJSC OPTIX INC**, Longwood, FL (US)  
(72) Inventor: **John Tillmann**, Longwood, FL (US)  
(73) Assignee: **TJSC Optix Inc.**, Longwood, FL (US)  
(\*\*) Term: **15 Years**  
(21) Appl. No.: **29/554,821**  
(22) Filed: **Feb. 16, 2016**  
(51) **LOC (10) Cl.** ..... **16-06**  
(52) **U.S. Cl.**  
USPC ..... **D16/331**  
(58) **Field of Classification Search**  
USPC ..... D16/101, 300-342, 900; D29/109-110;  
D21/483, 659-661; D14/372; 351/41,  
351/44, 45-48, 51-52, 62, 158, 92,  
351/103-123, 140-153, 63, 59; 2/13, 15,  
2/426-432, 447-449, 441, 434-437  
CPC ..... G02C 2200/08; G02C 1/06; G02C 5/14;  
G02C 11/02; G02C 11/04; G02C 5/16;  
G02C 2200/22; G02C 5/146; G02C  
5/2254; G02C 5/008; G01C 5/16; A61M  
2021/0044; A63B 33/002  
See application file for complete search history.

D243,602 S \* 3/1977 Updegraff ..... D16/331  
4,026,591 A \* 5/1977 Cleaveland  
4,088,359 A \* 5/1978 Buchanan, Jr.  
D249,799 S \* 10/1978 Zoltner ..... D16/331  
4,123,098 A \* 10/1978 Shoup  
4,167,283 A \* 9/1979 Feldman  
D261,896 S \* 11/1981 Schurgin ..... D16/331  
D272,073 S \* 1/1984 Cointment ..... D16/331  
4,512,602 A \* 4/1985 England ..... A61F 9/0061  
294/1.2  
D278,914 S \* 5/1985 Jermyn  
D296,791 S \* 7/1988 Kolack ..... 294/1.2  
D310,380 S \* 9/1990 England ..... D16/331  
D323,178 S \* 1/1992 Jermyn ..... D16/331  
D323,517 S \* 1/1992 Hoeft ..... D16/331  
D356,591 S \* 3/1995 Kanner ..... D3/264  
5,558,374 A \* 9/1996 Harrison  
D374,246 S \* 10/1996 Konopka ..... D16/331  
5,788,706 A \* 8/1998 Deminski  
D410,668 S \* 6/1999 Malave ..... D16/331

(Continued)

*Primary Examiner* — Eric Goodman  
*Assistant Examiner* — Sanjeev Paul  
(74) *Attorney, Agent, or Firm* — Matthew G. McKinney

(57) **CLAIM**

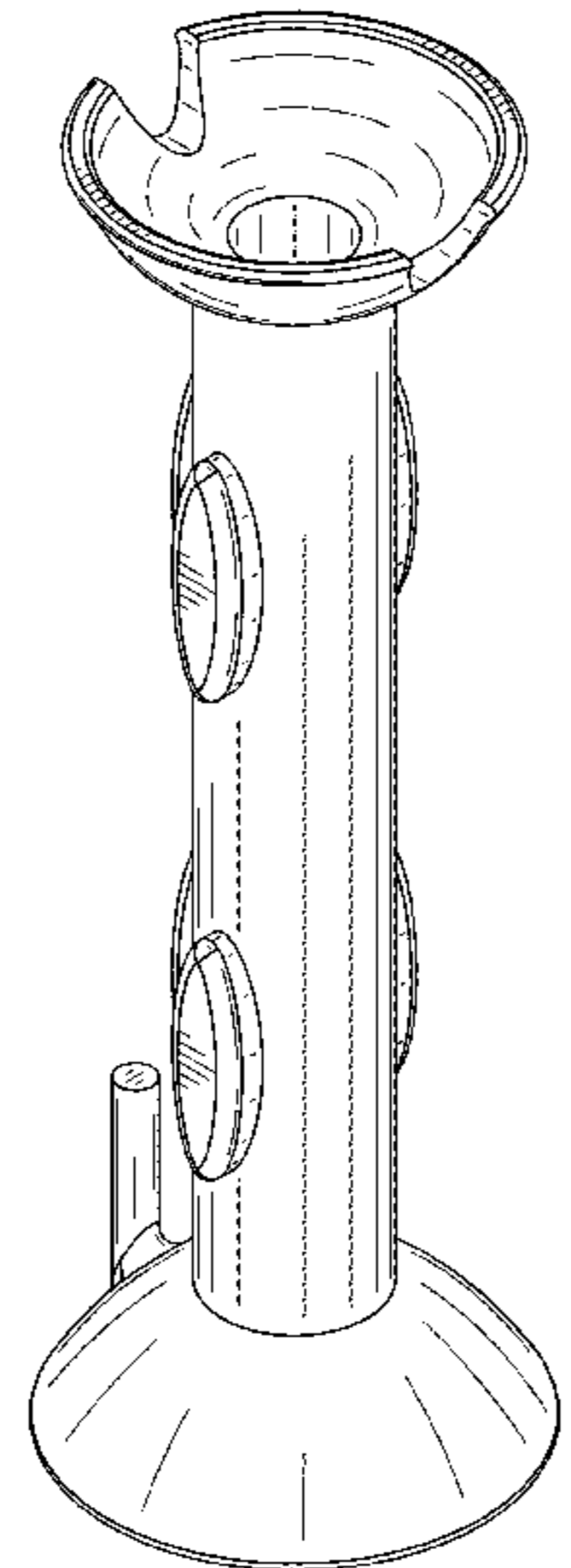
The ornamental design for a contact lens inserter, as shown and described.

**DESCRIPTION**

FIG. 1 is a perspective view of a contact lens inserter showing my new design;  
FIG. 2 is a bottom perspective view thereof;  
FIG. 3 is a top plan view thereof;  
FIG. 4 is a bottom plan view thereof;  
FIG. 5 is front elevational view thereof, the rear elevational view being a mirror image;  
FIG. 6 is a right side elevational view thereof; and,  
FIG. 7 is a left side elevational view thereof.

**1 Claim, 4 Drawing Sheets**

(56) **References Cited**  
U.S. PATENT DOCUMENTS  
1,724,621 A 8/1929 Sacks  
2,482,431 A 9/1949 Okawa  
2,919,696 A \* 1/1960 Rinaldy ..... A61F 9/0061  
294/1.2  
3,139,298 A \* 6/1964 Grabiell ..... A61F 9/0061  
294/1.2  
D205,683 S 9/1966 Toran  
3,304,113 A \* 2/1967 Hutchison ..... A61F 9/0061  
294/1.2  
3,743,337 A 7/1973 Crary



(56)

**References Cited**

U.S. PATENT DOCUMENTS

5,913,556 A     6/1999 Perusse  
D428,041 S \*   7/2000 Harbert ..... D16/331  
7,163,245 B2   1/2007 Wallock et al.

\* cited by examiner

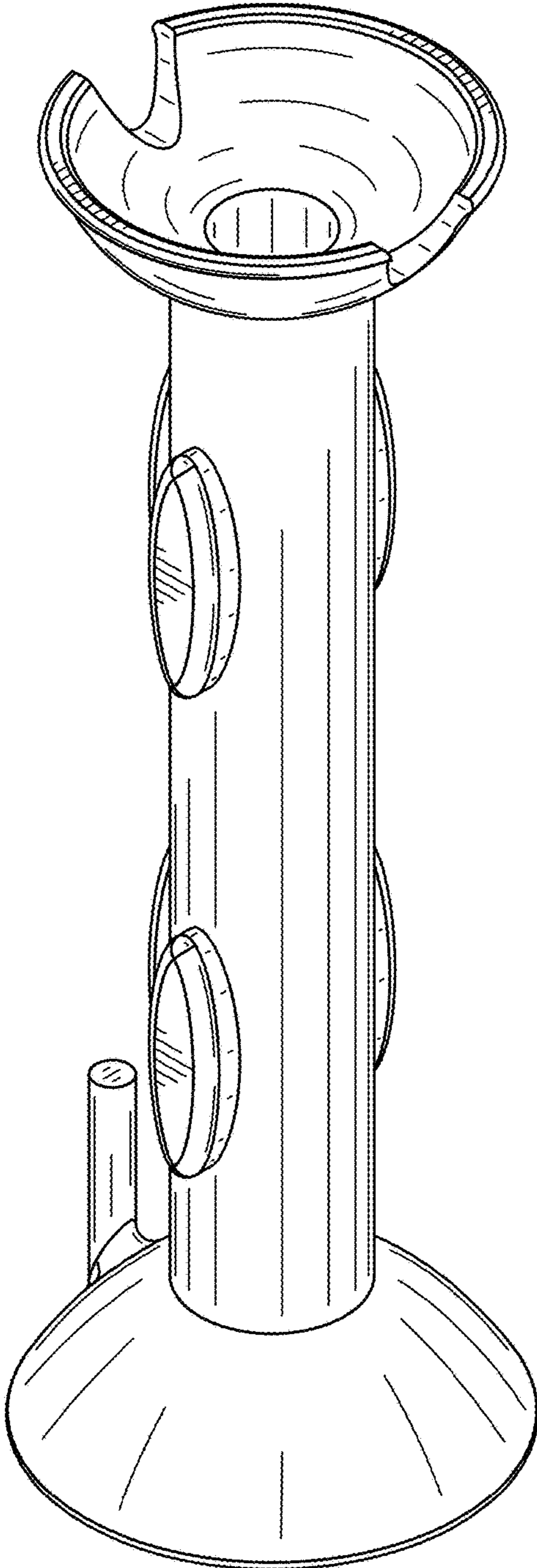


FIG. 1

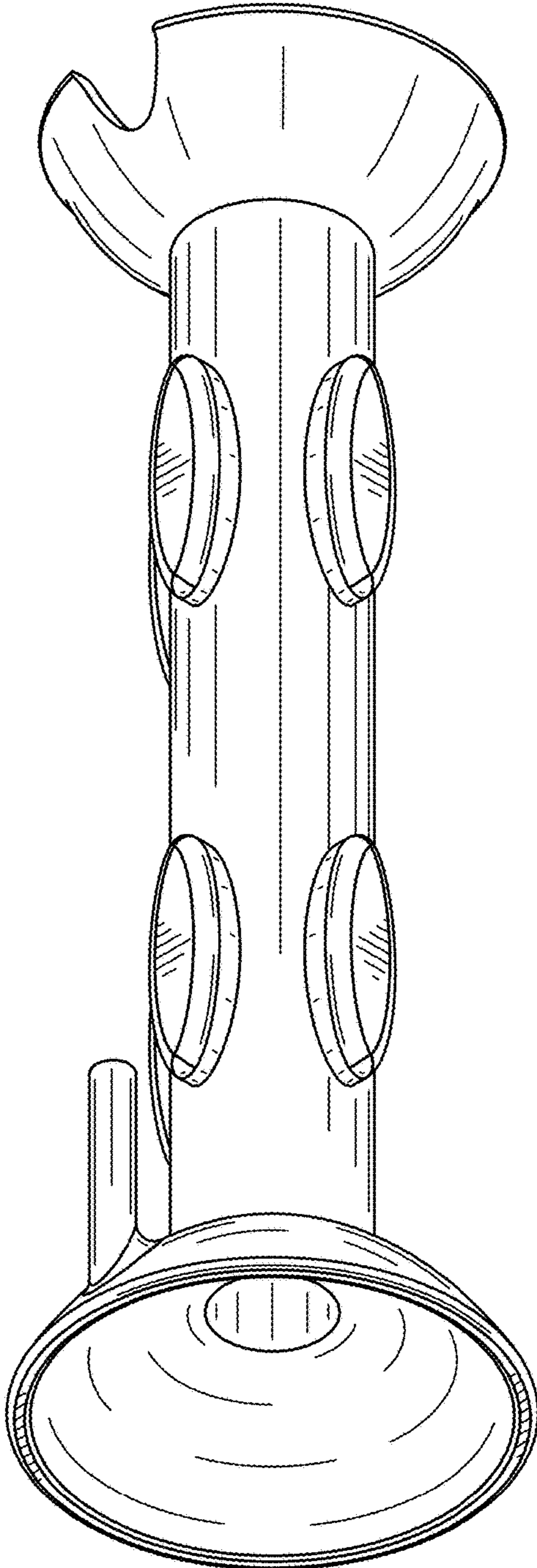


FIG. 2

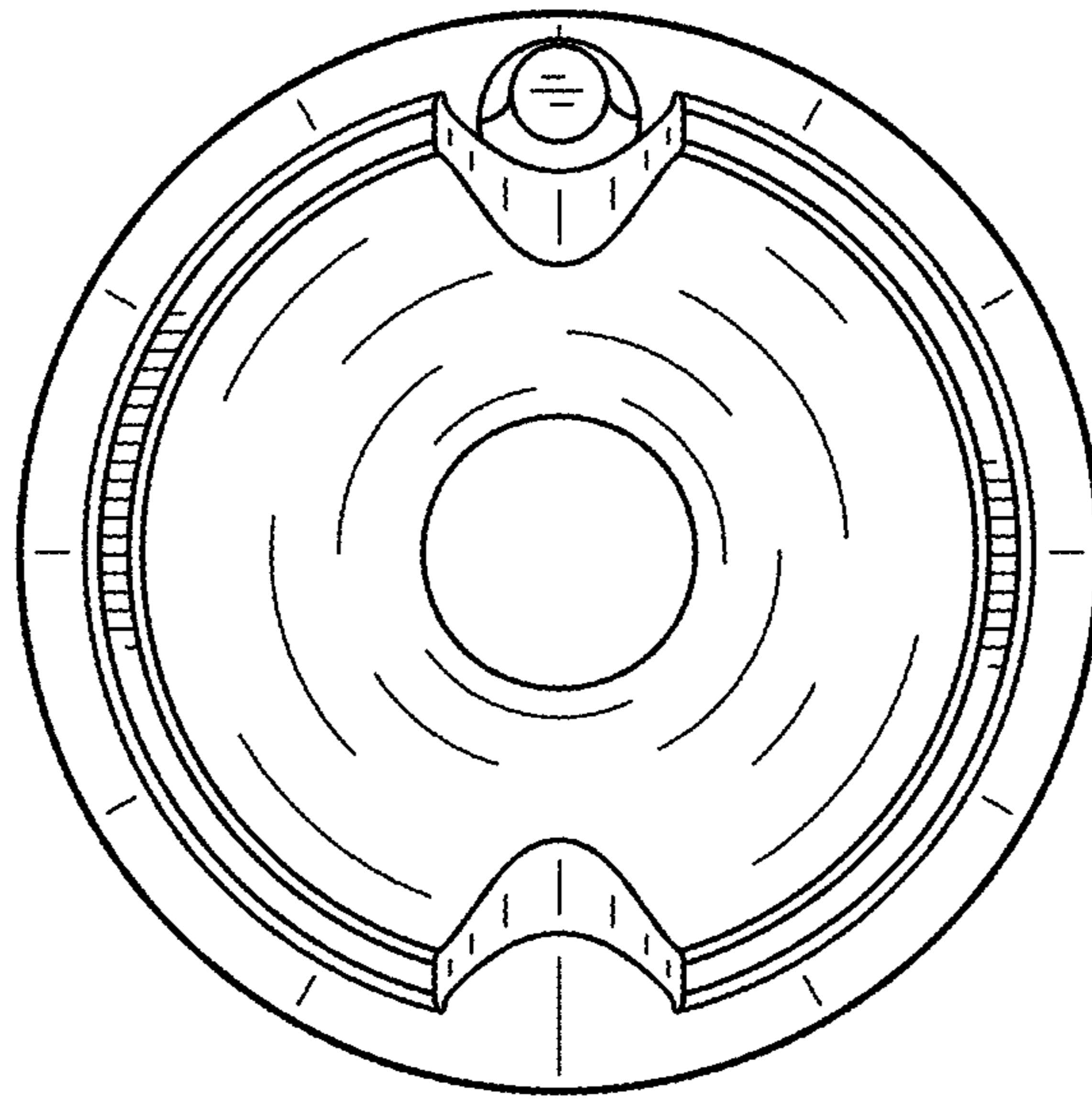


FIG. 3

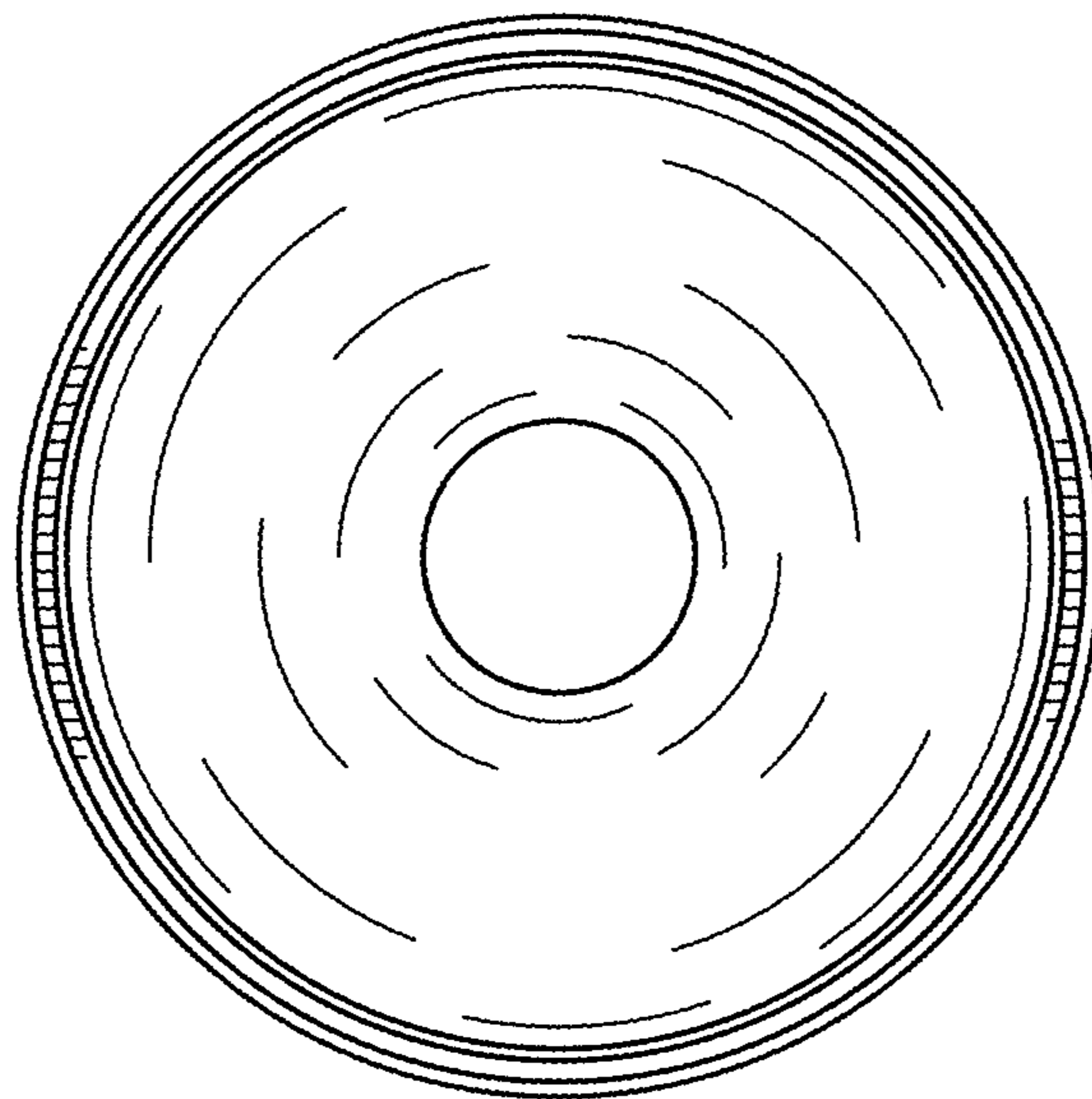


FIG. 4

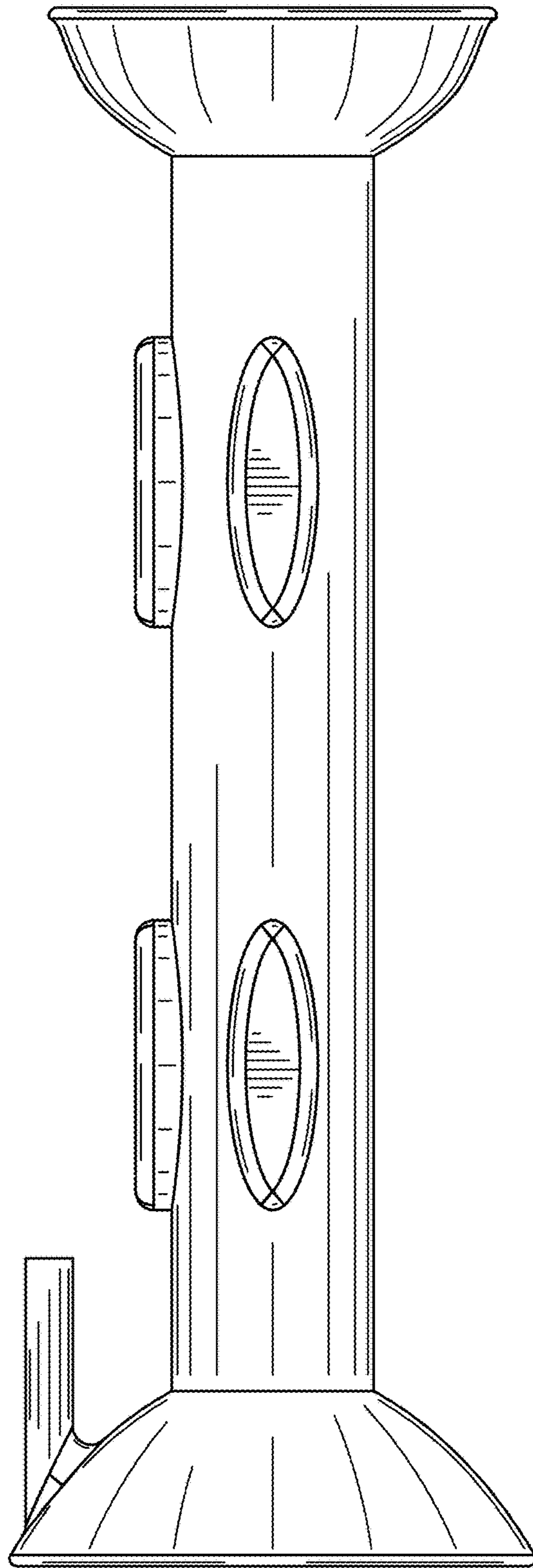


FIG. 5

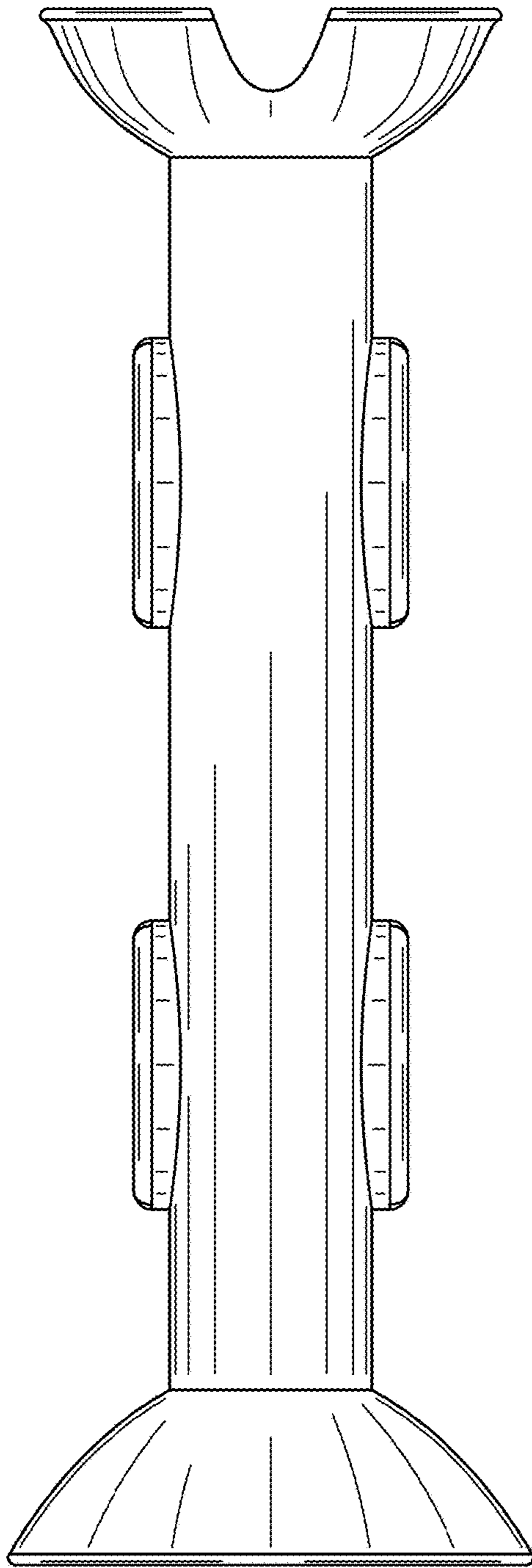


FIG. 6

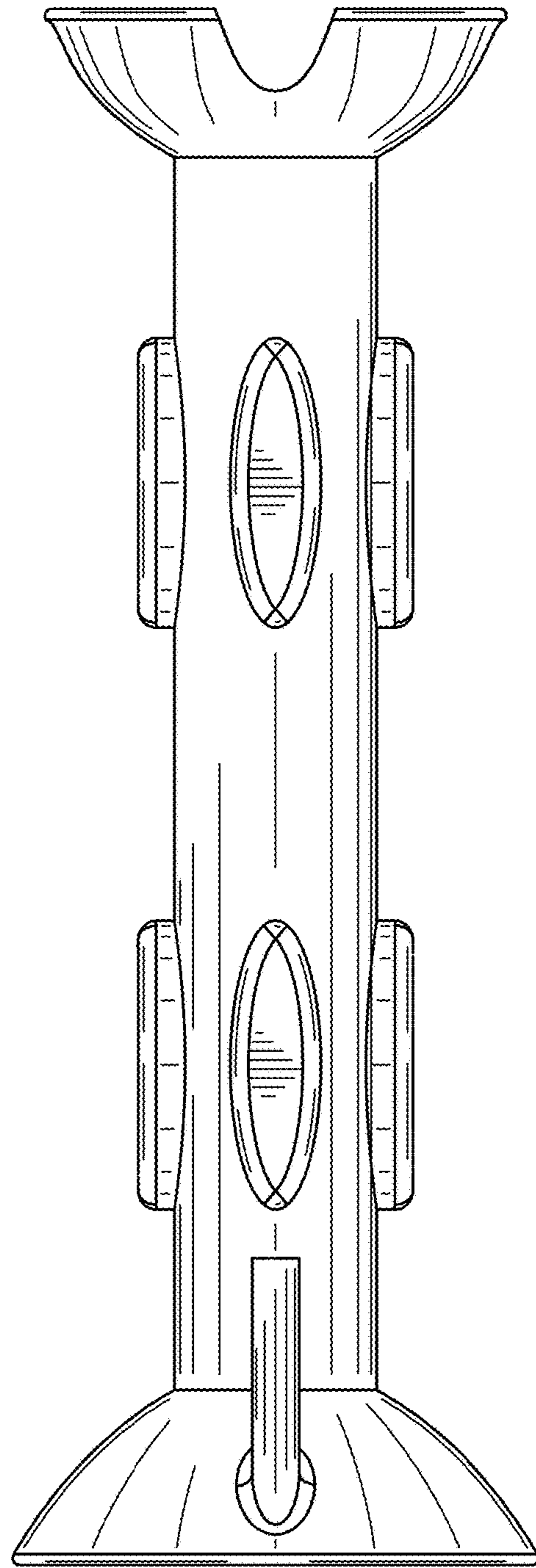


FIG. 7