



US00D791856S

(12) **United States Design Patent**
Sponring

(10) **Patent No.:** **US D791,856 S**

(45) **Date of Patent:** **** Jul. 11, 2017**

- (54) **CAMERA MOUNT**
- (71) Applicant: **Altia Systems, Inc**, Cupertino, CA (US)
- (72) Inventor: **Otto Sponring**, Los Altos, CA (US)
- (73) Assignee: **ALTIA SYSTEMS, INC.**, Cupertino, CA (US)

7,646,404 B2 *	1/2010	Liu	H04N 5/232	348/218.1
7,710,463 B2 *	5/2010	Foote	G06T 3/4038	348/218.1
2012/0242788 A1 *	9/2012	Chuang	G08B 13/19602	348/36
2014/0153916 A1 *	6/2014	Kintner	G03B 17/561	396/419

(**) Term: **14 Years**

(21) Appl. No.: **29/513,425**

(22) Filed: **Dec. 30, 2014**

(51) **LOC (10) Cl.** **16-05**

(52) **U.S. Cl.**
USPC **D16/242**

(58) **Field of Classification Search**
USPC D16/202, 205, 207, 208, 210, 219, 222,
D16/230, 235, 237, 242, 245, 250;
348/218.1, 239; 396/419
CPC H04N 5/23238; G03B 17/561
See application file for complete search history.

(56) **References Cited**

U.S. PATENT DOCUMENTS

3,118,340 A *	1/1964	Iwerks	G03B 37/04	352/132
7,463,280 B2 *	12/2008	Steuart, III	G03B 35/08	348/36

* cited by examiner

Primary Examiner — Susan Bennett Hattan
Assistant Examiner — Leanne Was-Englehart
(74) *Attorney, Agent, or Firm* — HM Law Group LLP;
Vani Moodley, Esq.

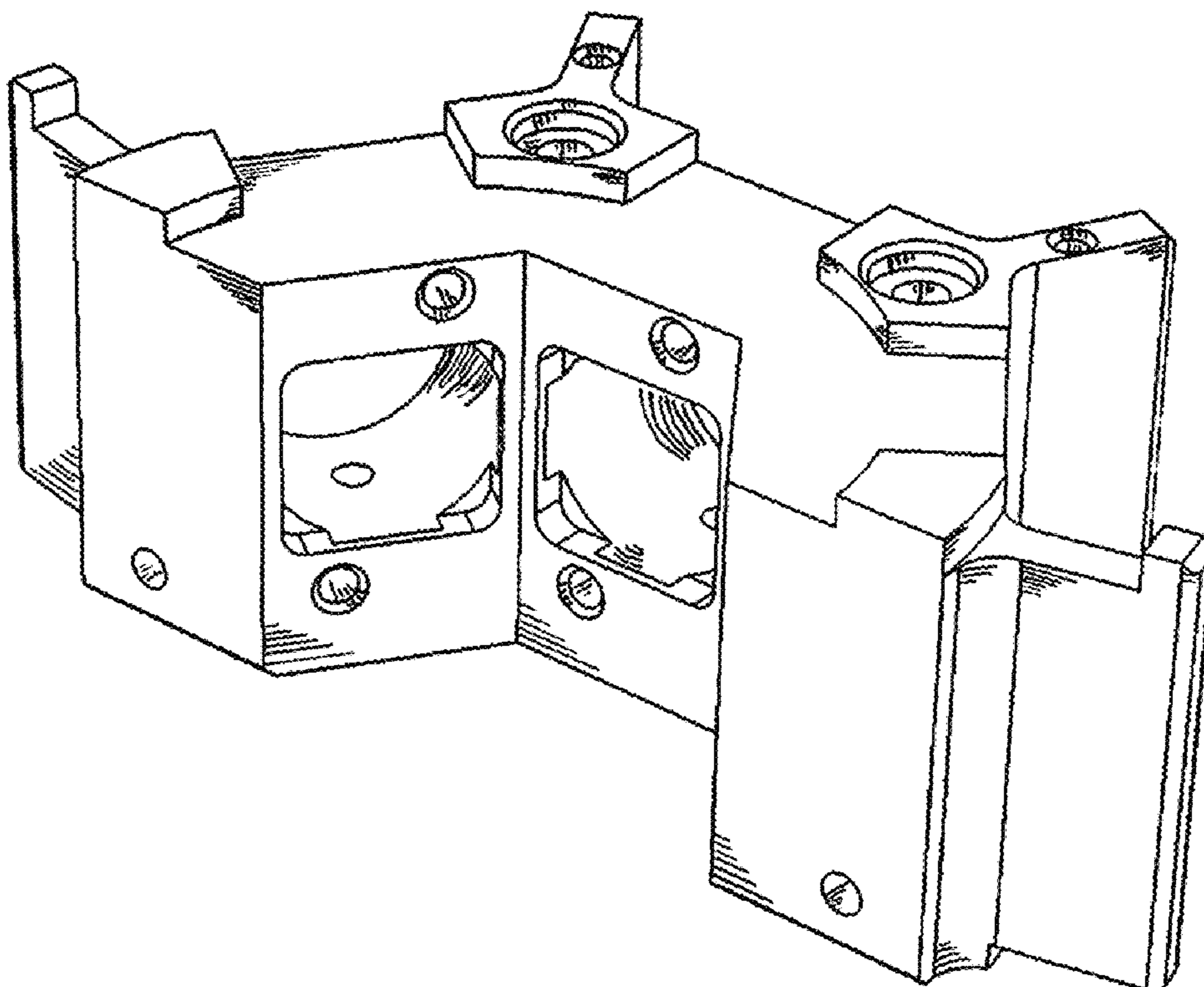
(57) **CLAIM**

The ornamental design for a camera mount, as shown and described.

DESCRIPTION

FIG. 1 is a first perspective view of a camera mount showing my new design.
FIG. 2 is a second perspective view of the camera mount.
FIG. 3 is a front view of the camera mount.
FIG. 4 is a rear view of the camera mount.
FIG. 5 is a top plan view the camera mount.
FIG. 6 is a bottom plan view the camera mount.
FIG. 7 is a first side view the camera mount; and,
FIG. 8 is a second side view the camera mount.

1 Claim, 8 Drawing Sheets



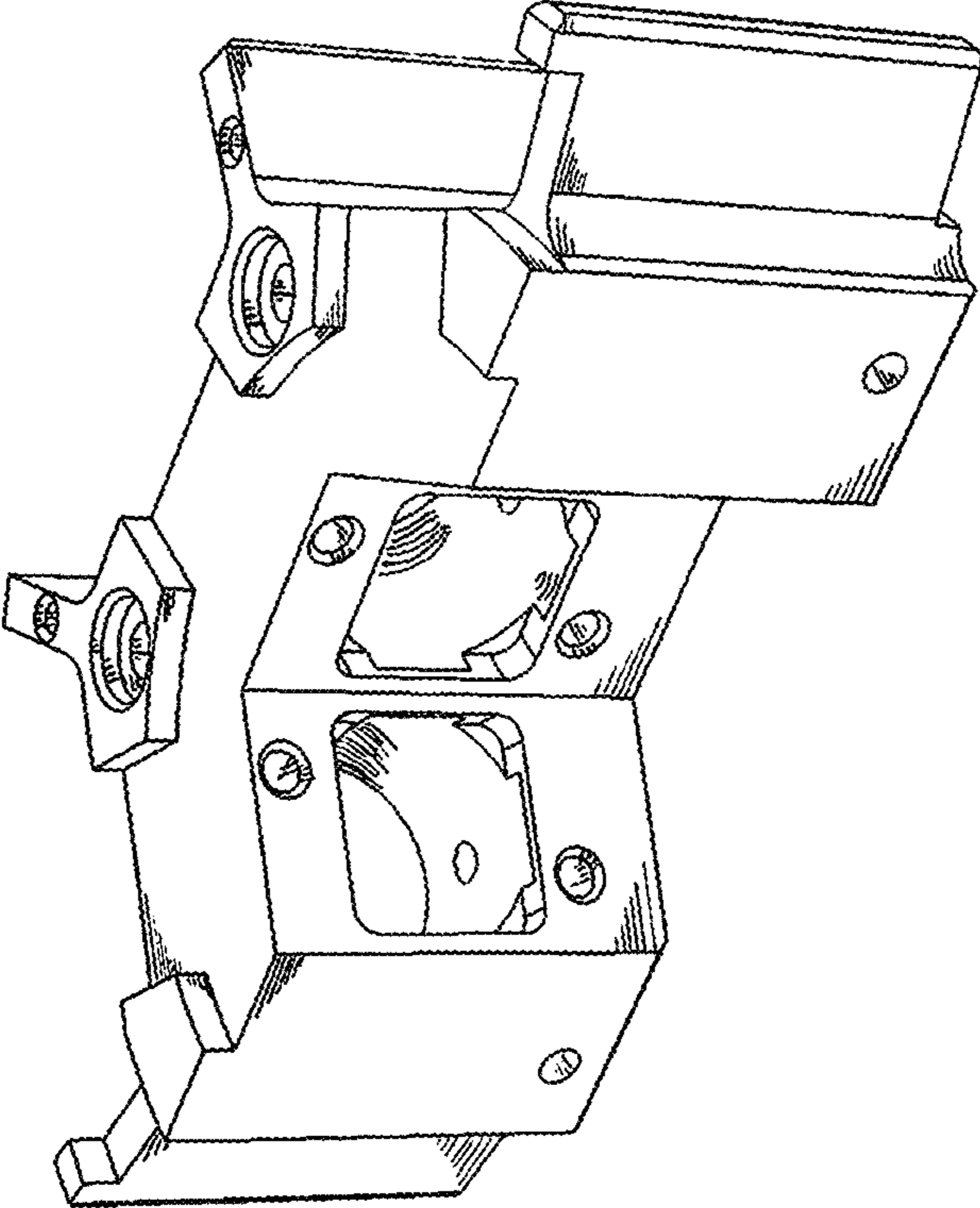


FIG. 1

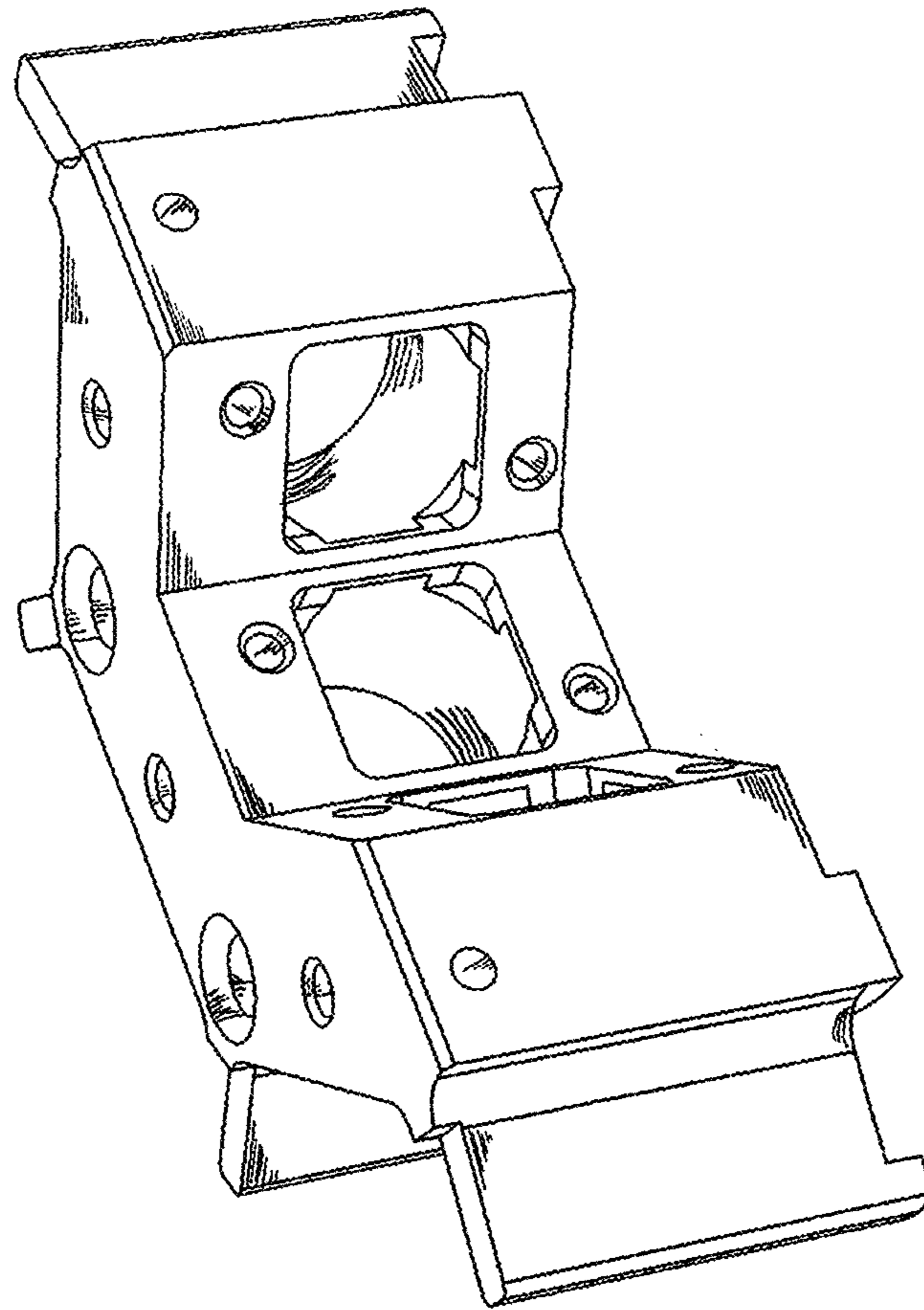


FIG. 2

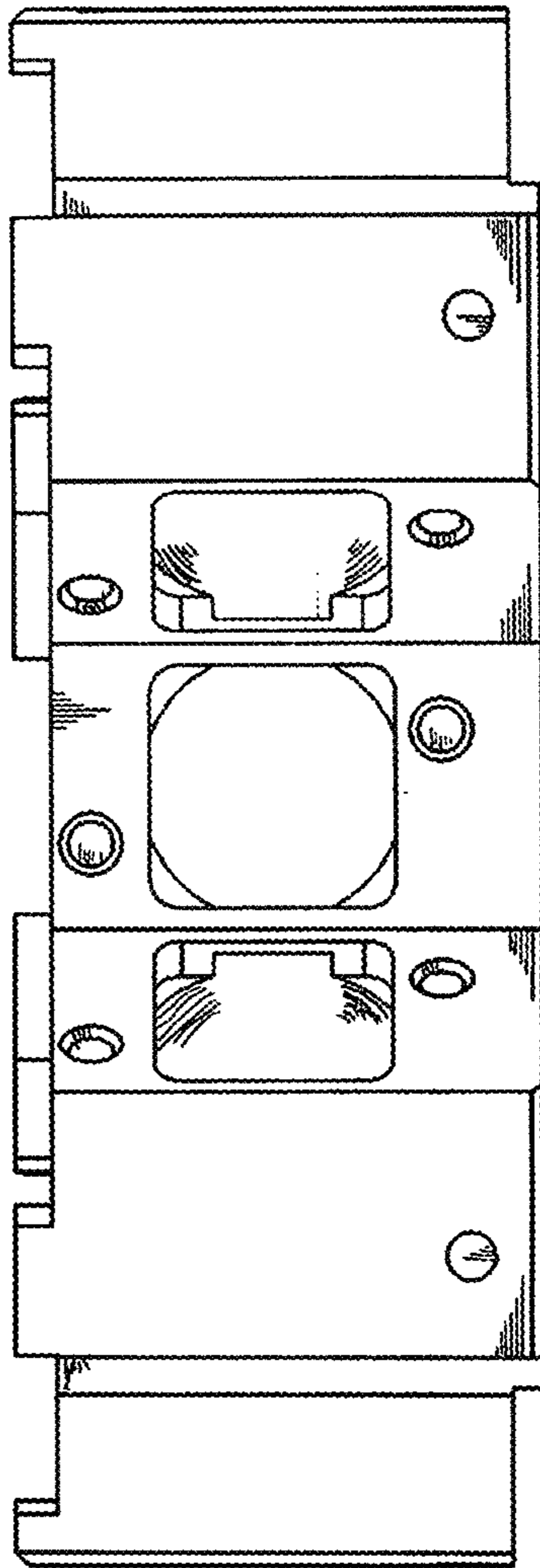


FIG. 3

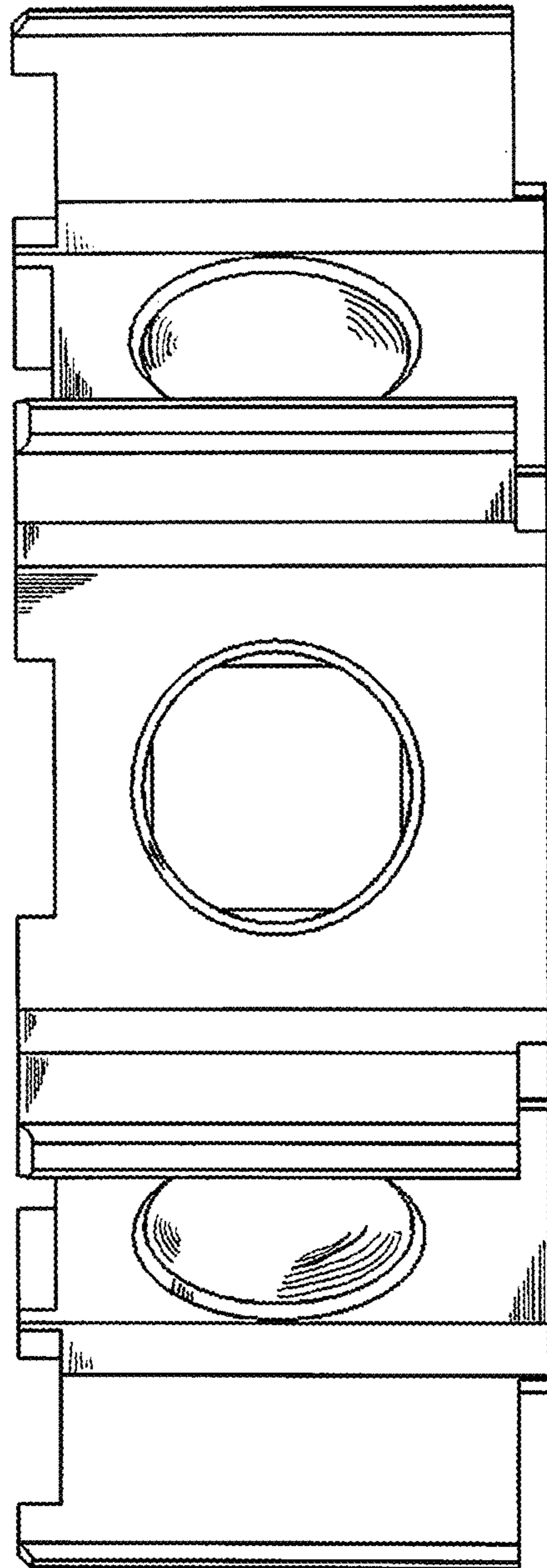


FIG. 4

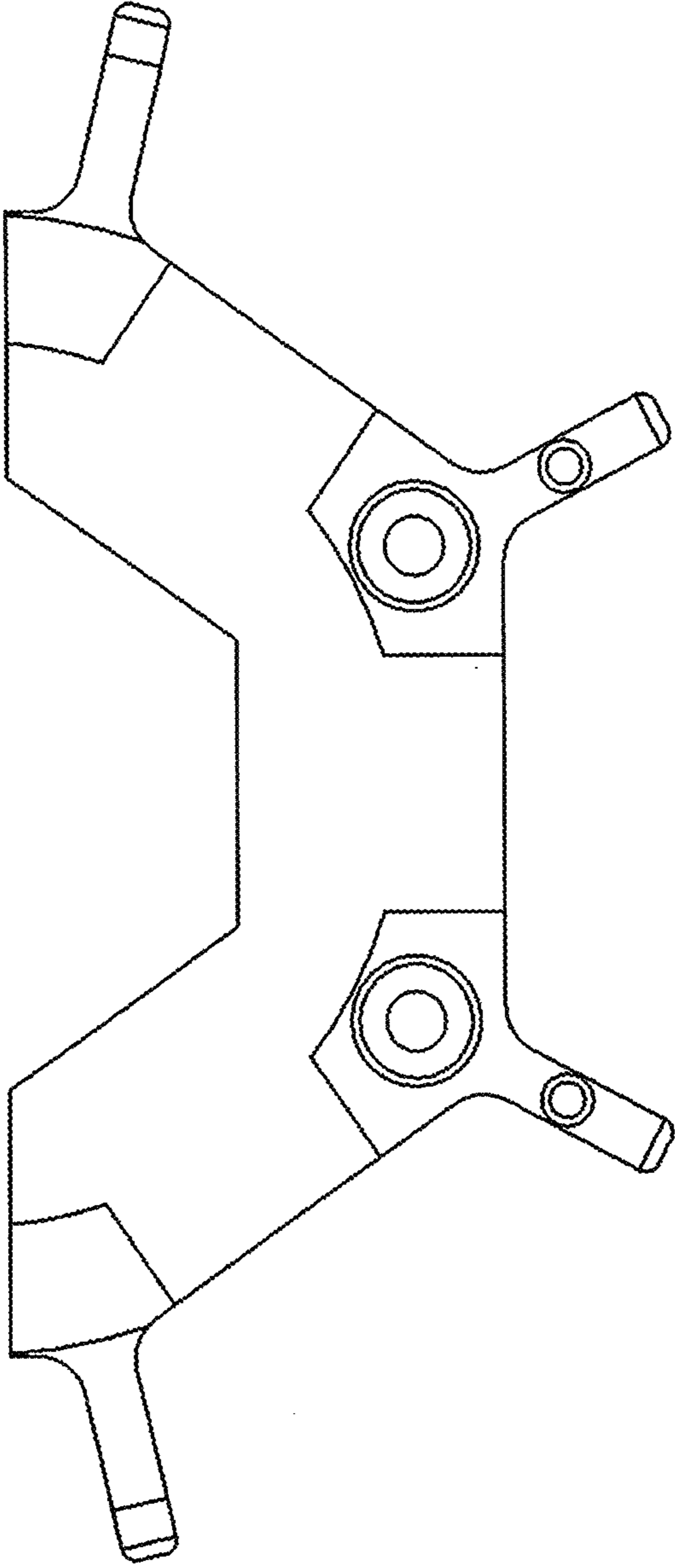


FIG. 5

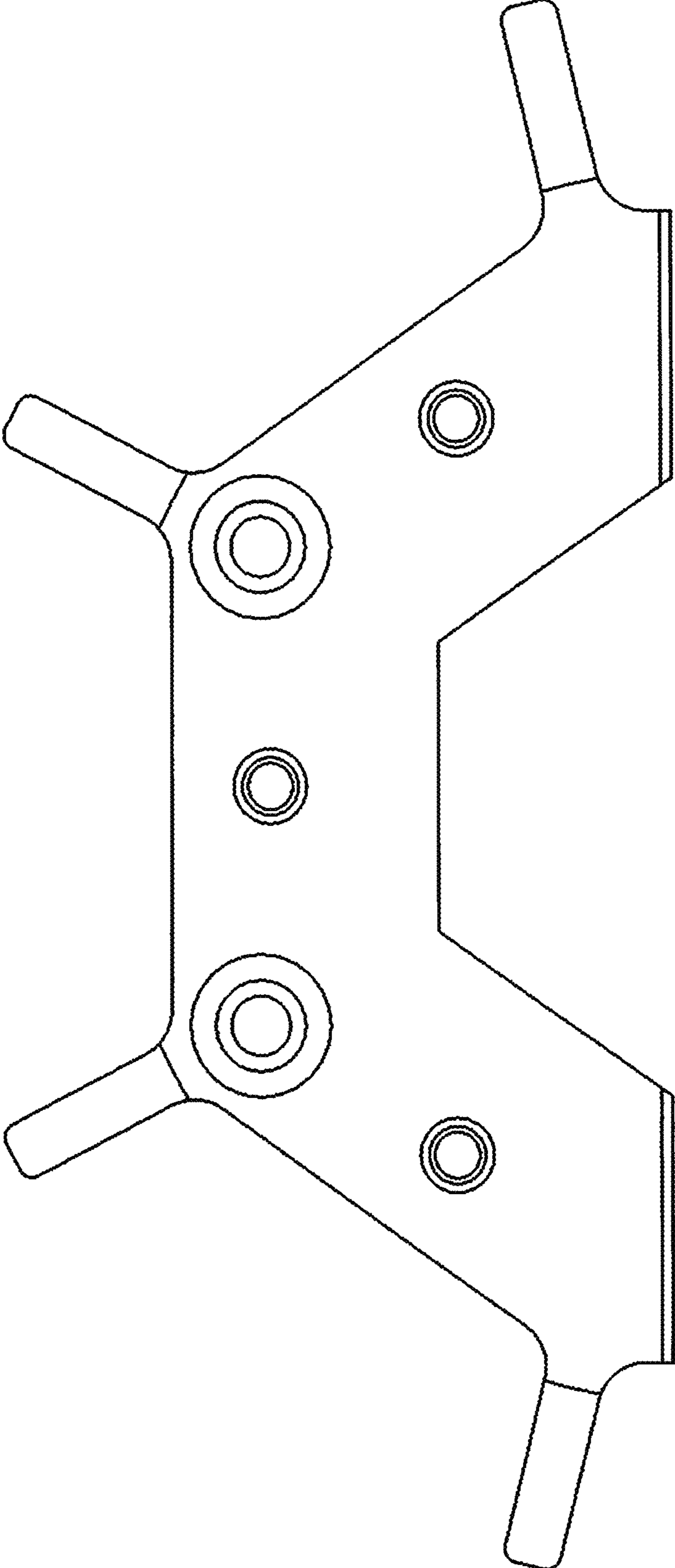


FIG. 6

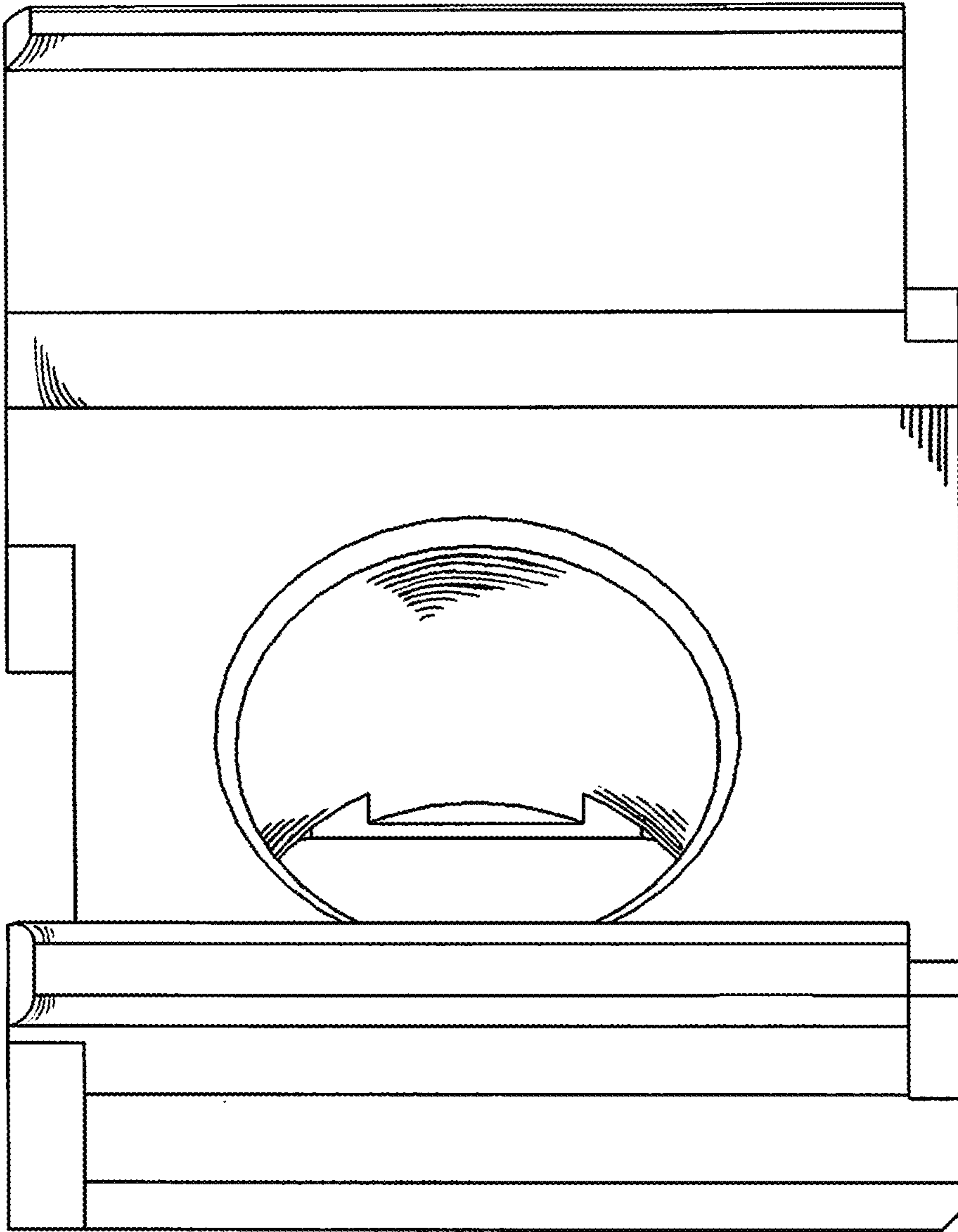


FIG. 7

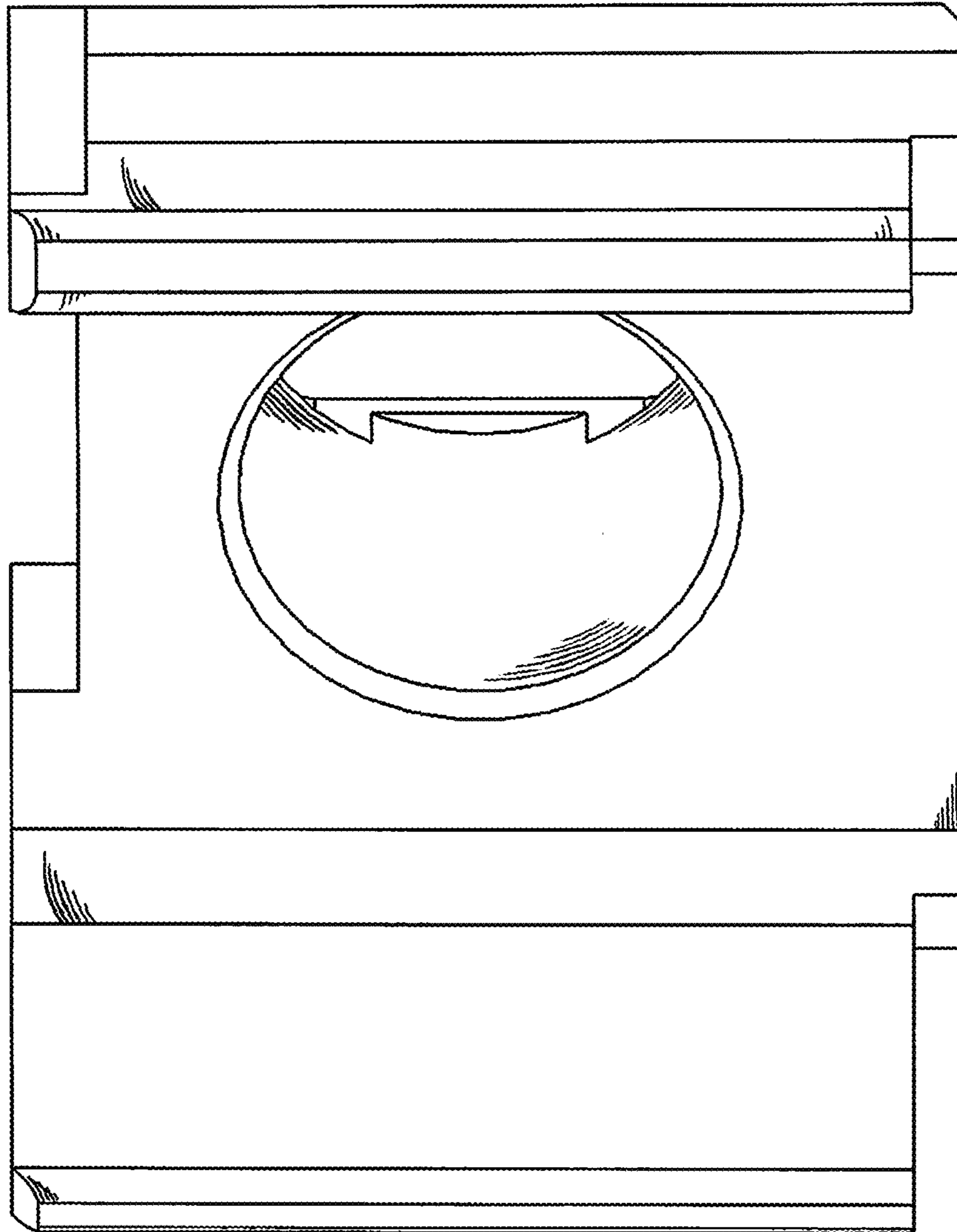


FIG. 8