



US00D791855S

(12) **United States Design Patent**  
**Hsuan**

(10) **Patent No.:** **US D791,855 S**  
(45) **Date of Patent:** **\*\* Jul. 11, 2017**

- (54) **PROJECTION DISPLAY**
- (71) Applicant: **Top Victory Investments Ltd.,**  
Kowloon (HK)
- (72) Inventor: **Michael Hsuan, Shanghai (CN)**
- (73) Assignee: **Top Victory Investments Ltd.,**  
Kowloon (HK)
- (\*\*) Term: **15 Years**
- (21) Appl. No.: **29/540,253**
- (22) Filed: **Sep. 22, 2015**
- (51) **LOC (10) Cl.** ..... **16-02**
- (52) **U.S. Cl.**  
USPC ..... **D16/230**
- (58) **Field of Classification Search**  
USPC ..... D16/221, 225, 229-231, 234; D21/514;  
D20/19  
CPC .... G03B 21/00; G03B 21/001; G03B 21/003;  
G03B 21/10; G03B 21/14; G03B 21/145;  
G03B 21/28; G03B 21/56  
See application file for complete search history.

- 7,445,342 B2 \* 11/2008 Garg ..... G03B 21/145  
348/800
- 8,313,199 B2 \* 11/2012 Hirata ..... G03B 21/10  
353/94
- D722,098 S \* 2/2015 Hamaue ..... D16/225
- 2013/0286364 A1 \* 10/2013 Sung ..... G03B 21/145  
353/119

\* cited by examiner

*Primary Examiner* — Wan Laymon

(74) *Attorney, Agent, or Firm* — Alan D. Kamrath;  
Kamrath IP Lawfirm, P.A.

(57) **CLAIM**

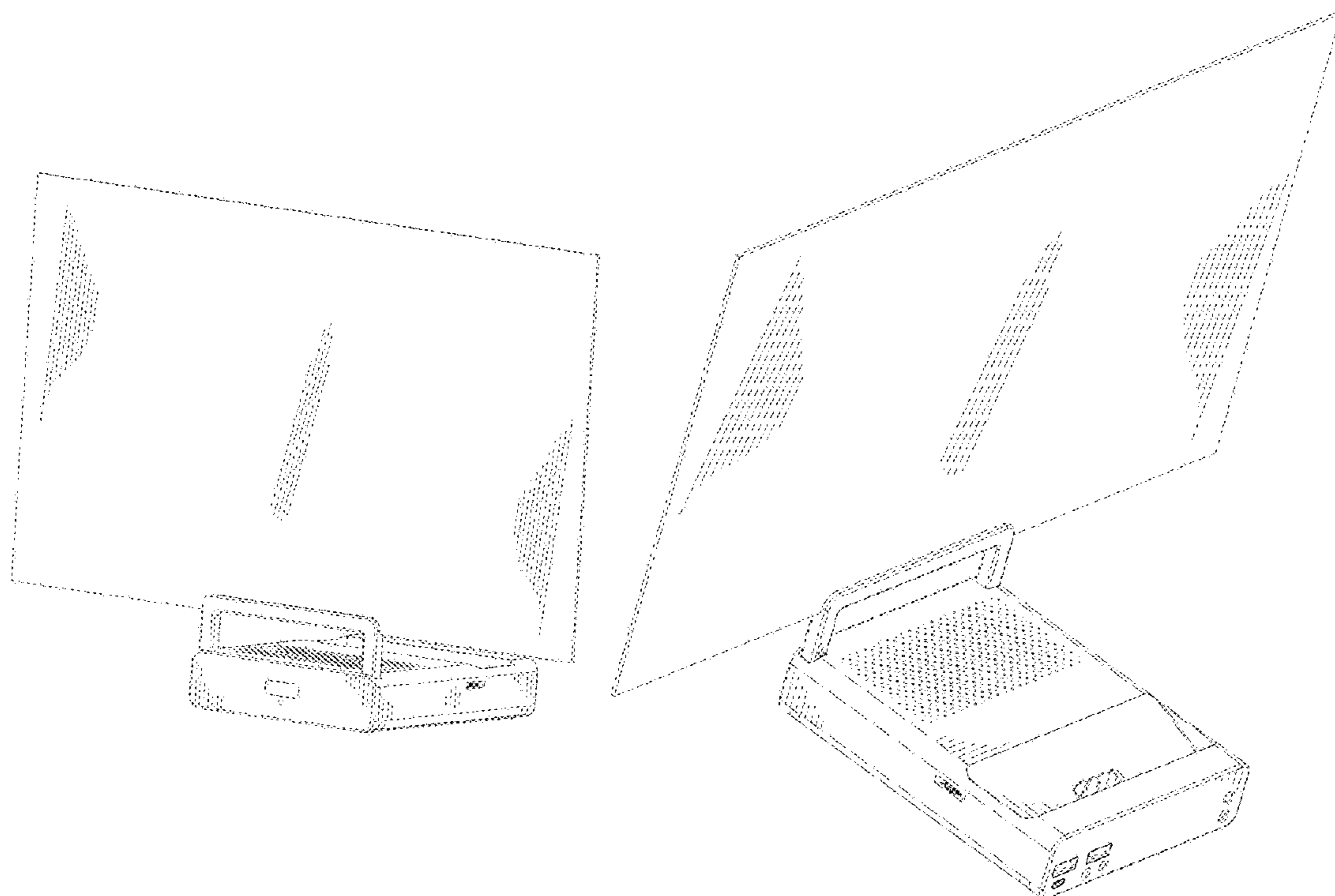
The ornamental design for a projection display, as shown and described.

**DESCRIPTION**

FIG. 1 is a perspective view of a projection display showing my new design;  
 FIG. 2 is a front side elevational view thereof;  
 FIG. 3 is a rear side elevational view thereof;  
 FIG. 4 is a left side elevational view thereof;  
 FIG. 5 is a right side elevational view thereof;  
 FIG. 6 is a top plan view thereof;  
 FIG. 7 is a bottom plan view thereof;  
 FIG. 8 is a rear perspective view thereof;  
 FIG. 9 is a perspective view thereof accommodating a remote;  
 FIG. 10 is a partially exploded view thereof; and,  
 FIG. 11 is a partially exploded bottom plan view thereof.  
 The broken lines in the drawings depict portions of the projection display that form no part of the claimed design.

**1 Claim, 11 Drawing Sheets**

- (56) **References Cited**  
U.S. PATENT DOCUMENTS  
4,765,733 A \* 8/1988 Negishi ..... G03B 21/14  
353/78  
6,929,370 B2 \* 8/2005 Kobayashi ..... G03B 21/10  
348/E5.137  
7,090,354 B2 \* 8/2006 Engle ..... G03B 21/10  
348/836



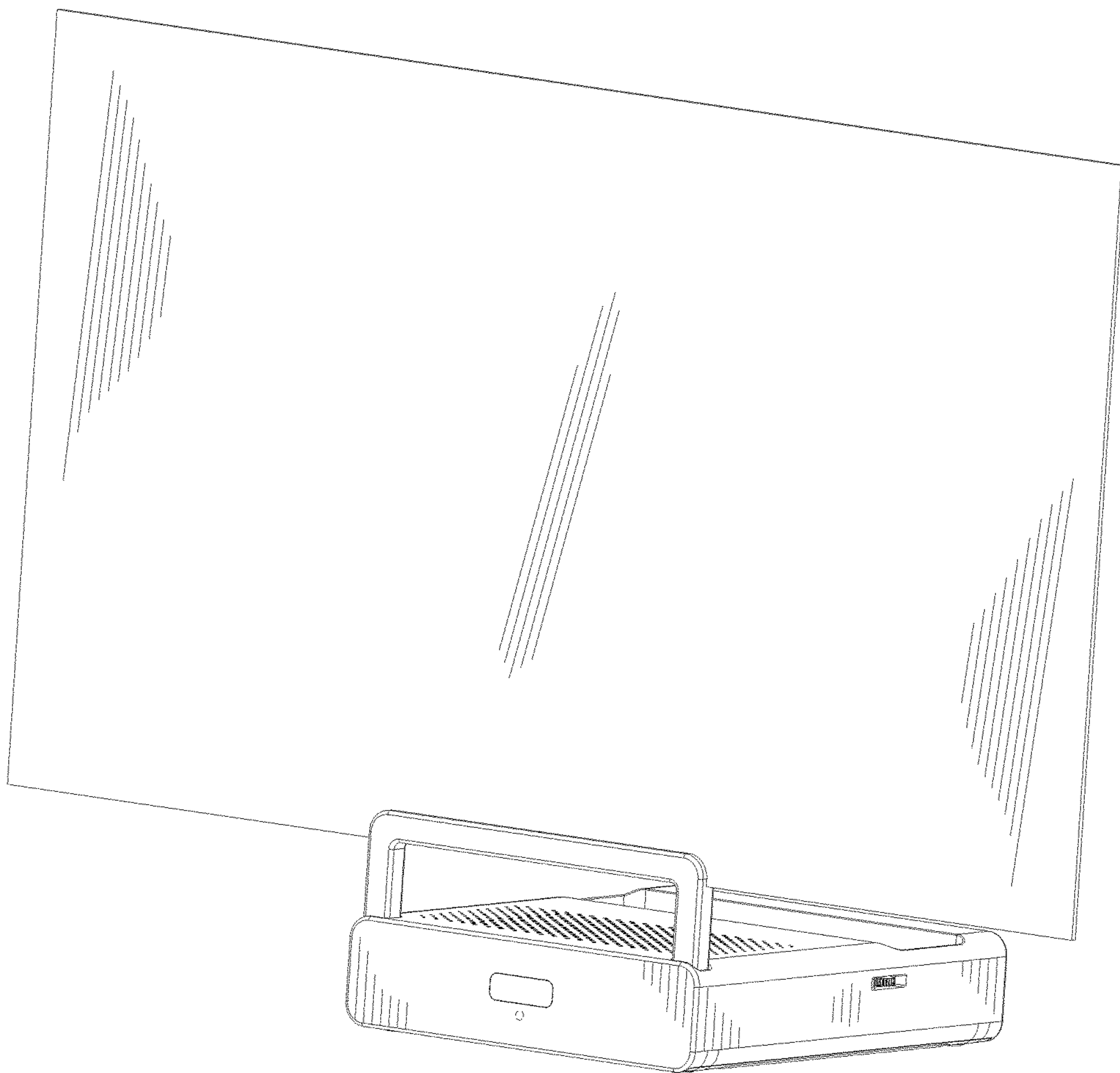


FIG.1

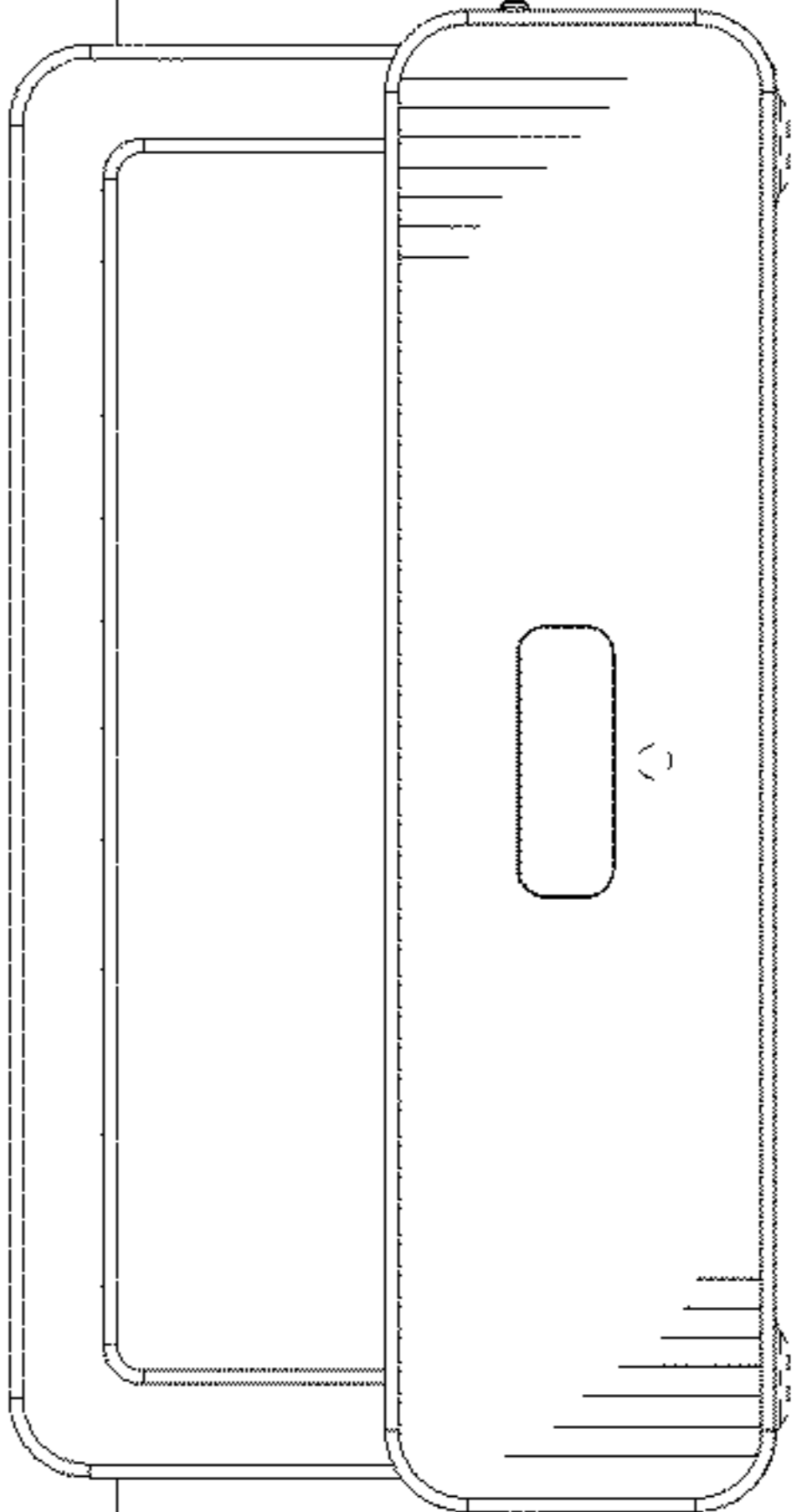
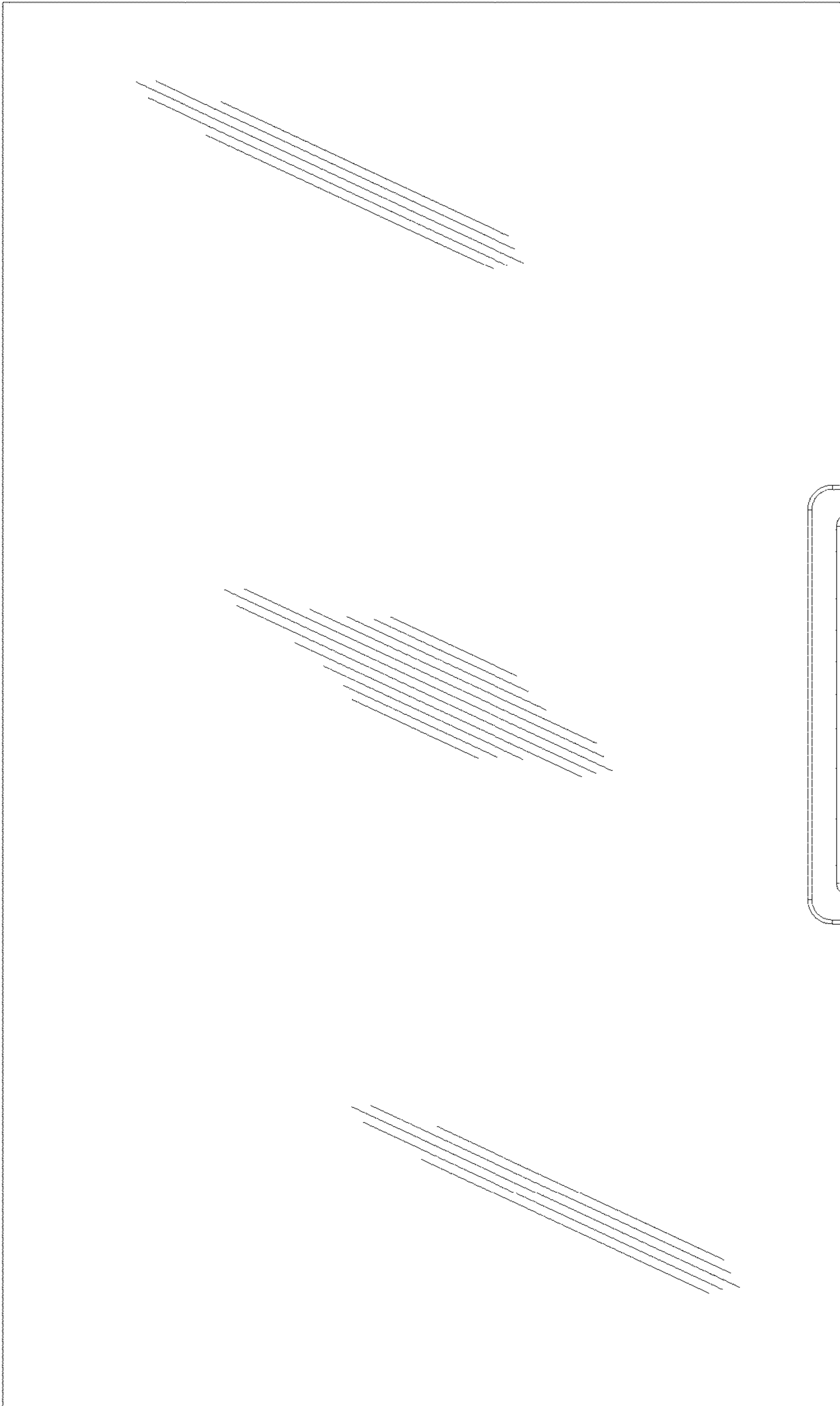


FIG.2

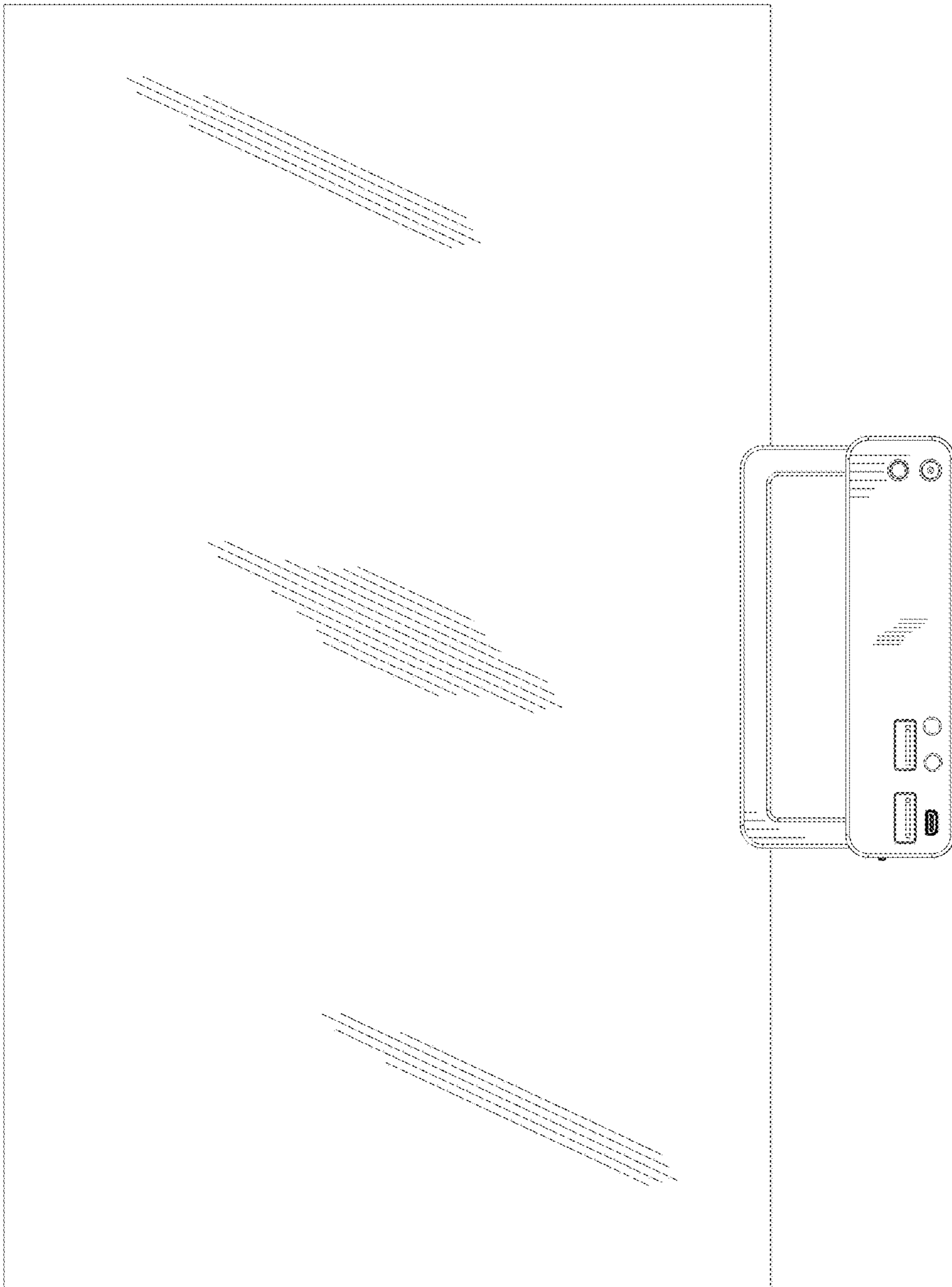


FIG. 3

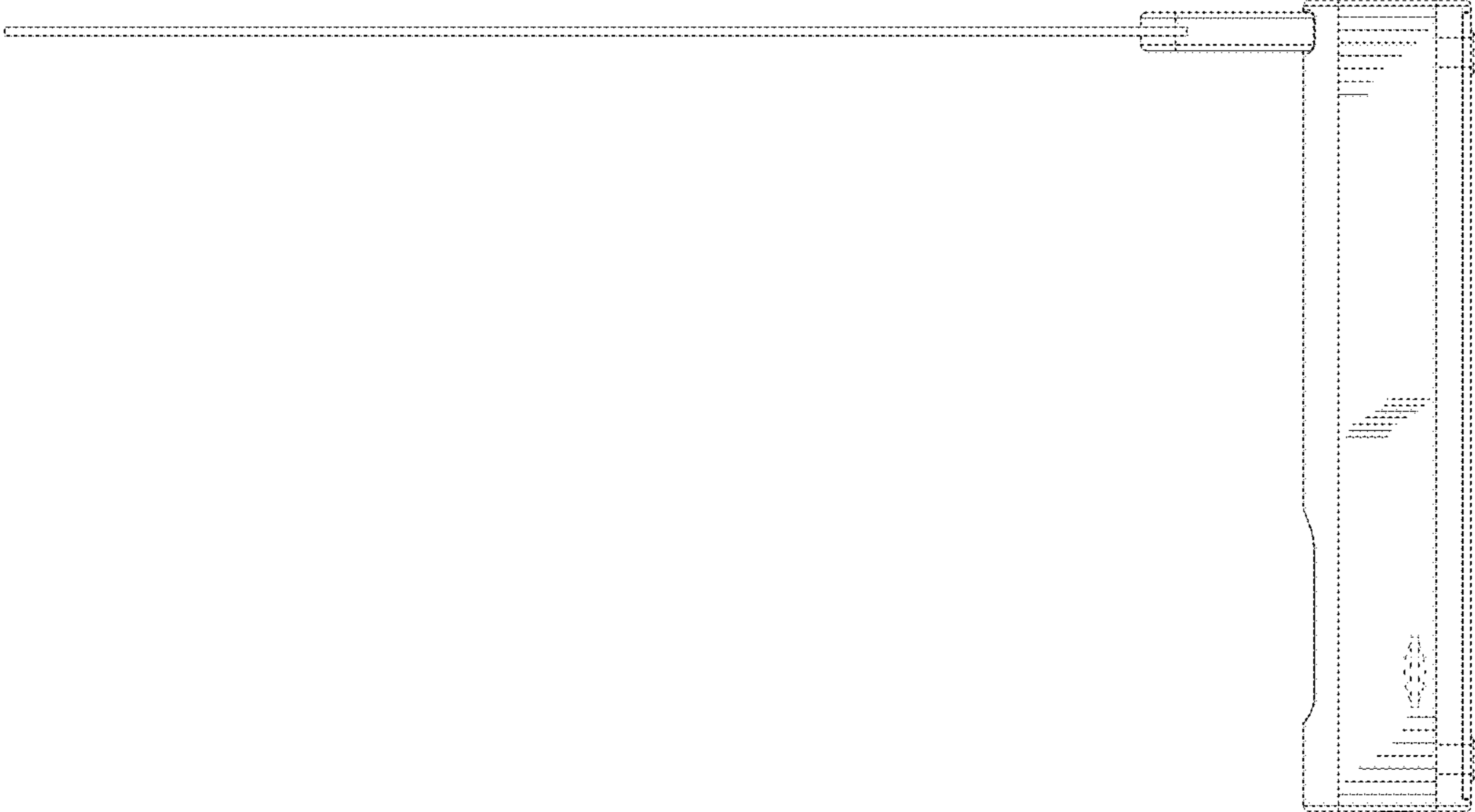


FIG.4



FIG. 5

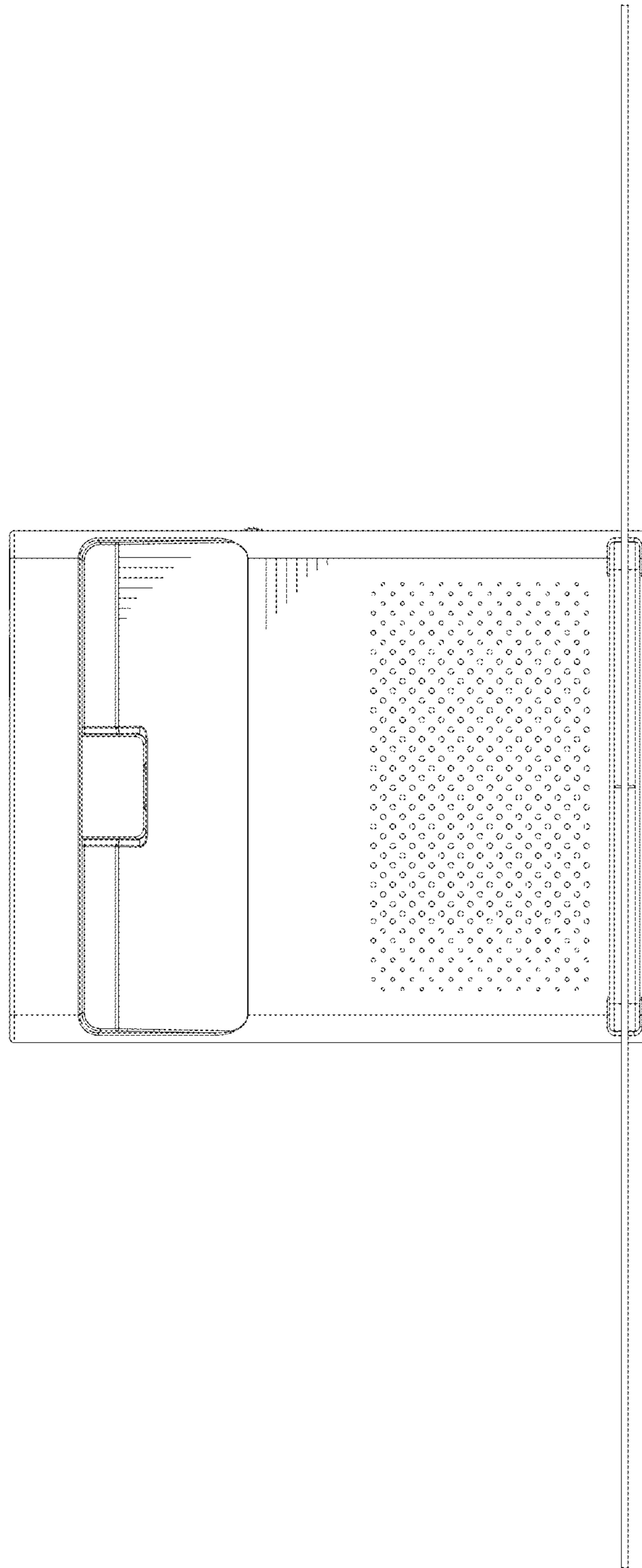


FIG.6



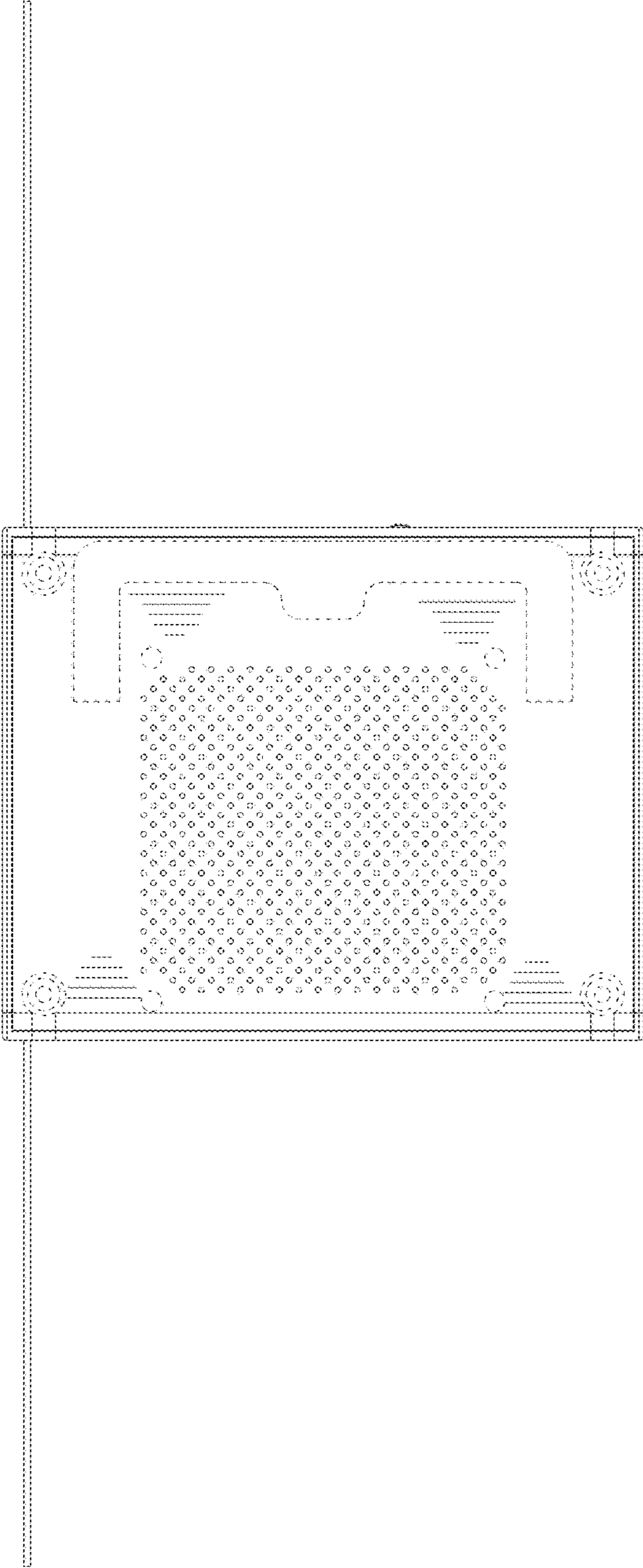


FIG. 7



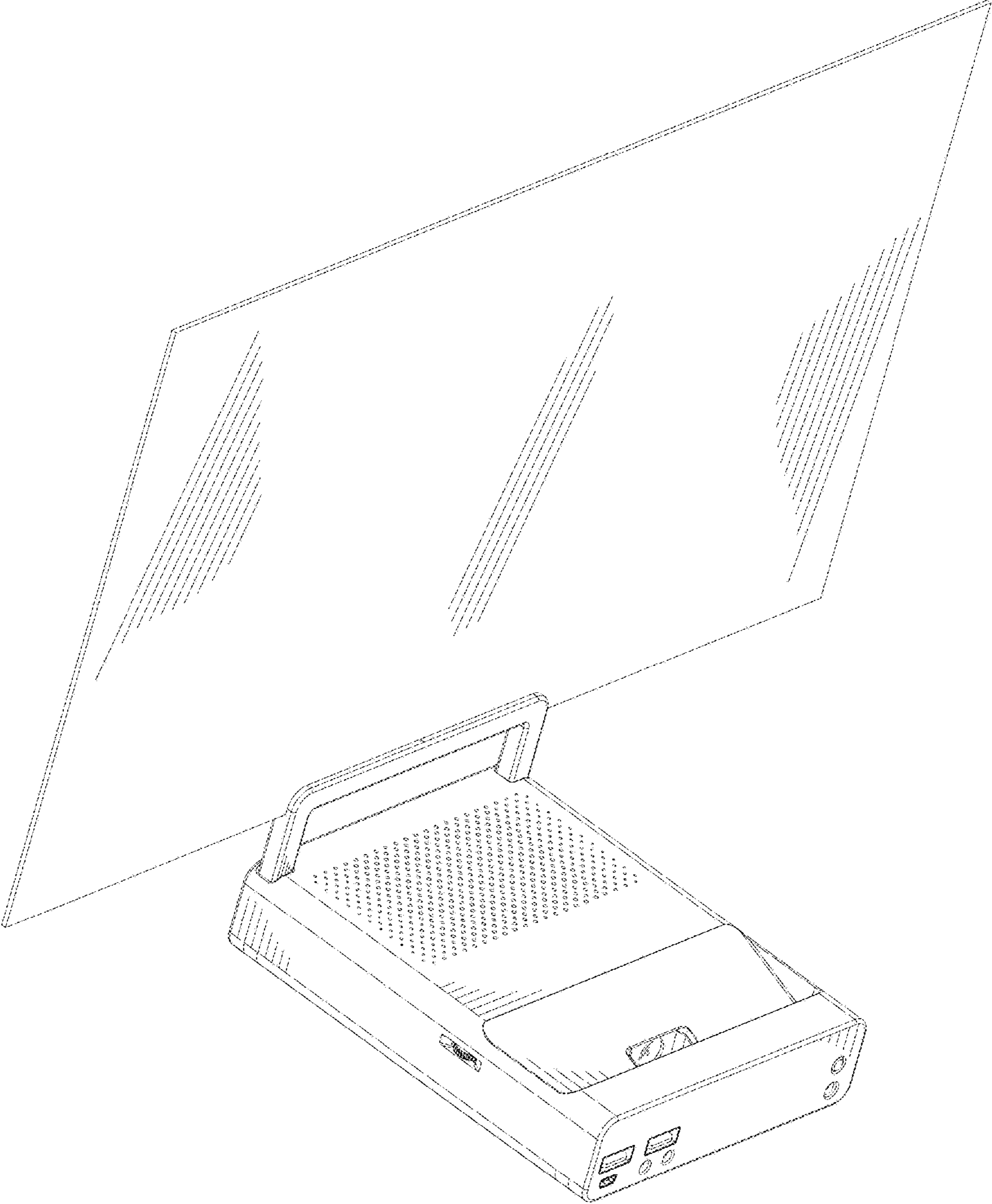


FIG.8

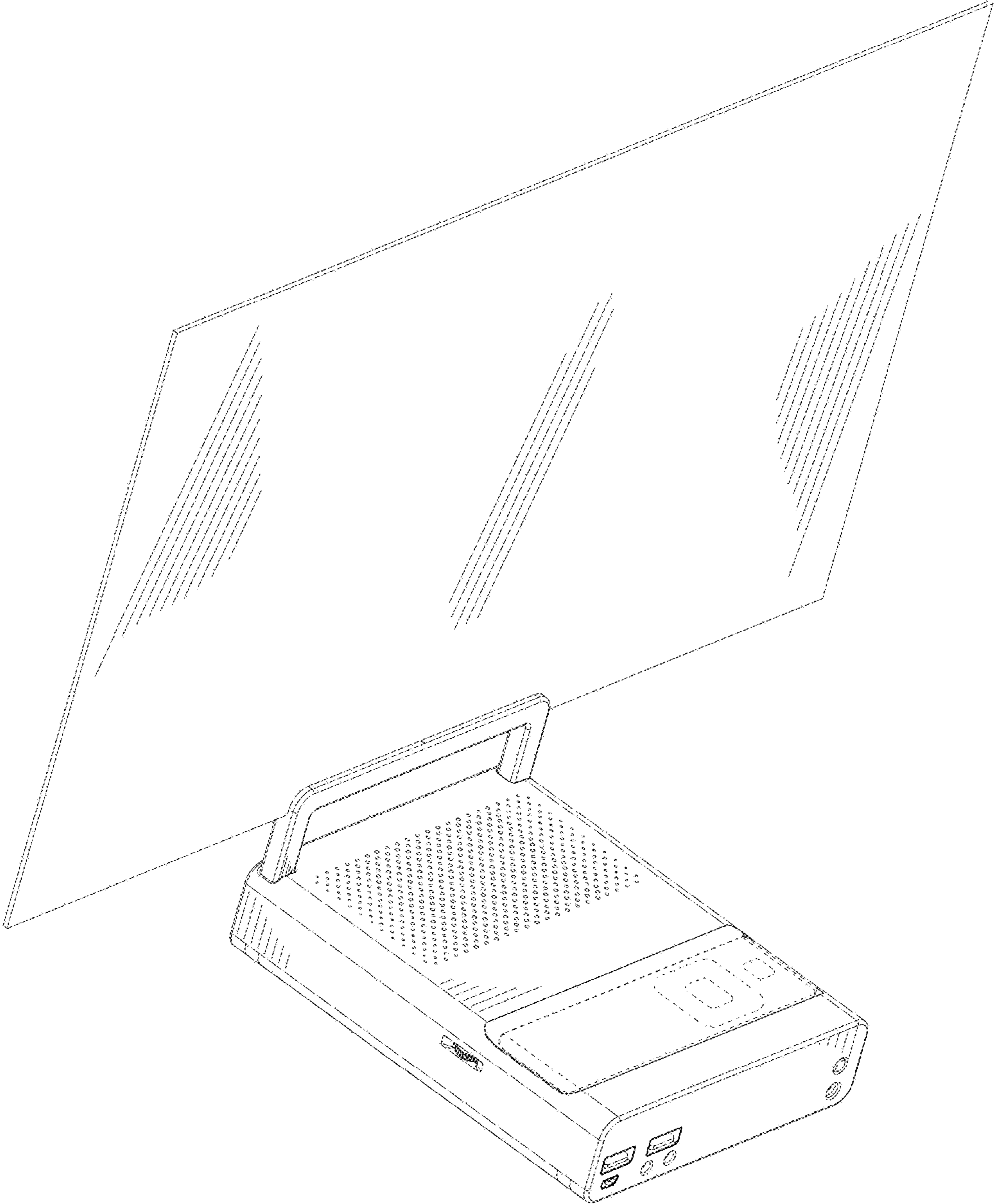


FIG.9

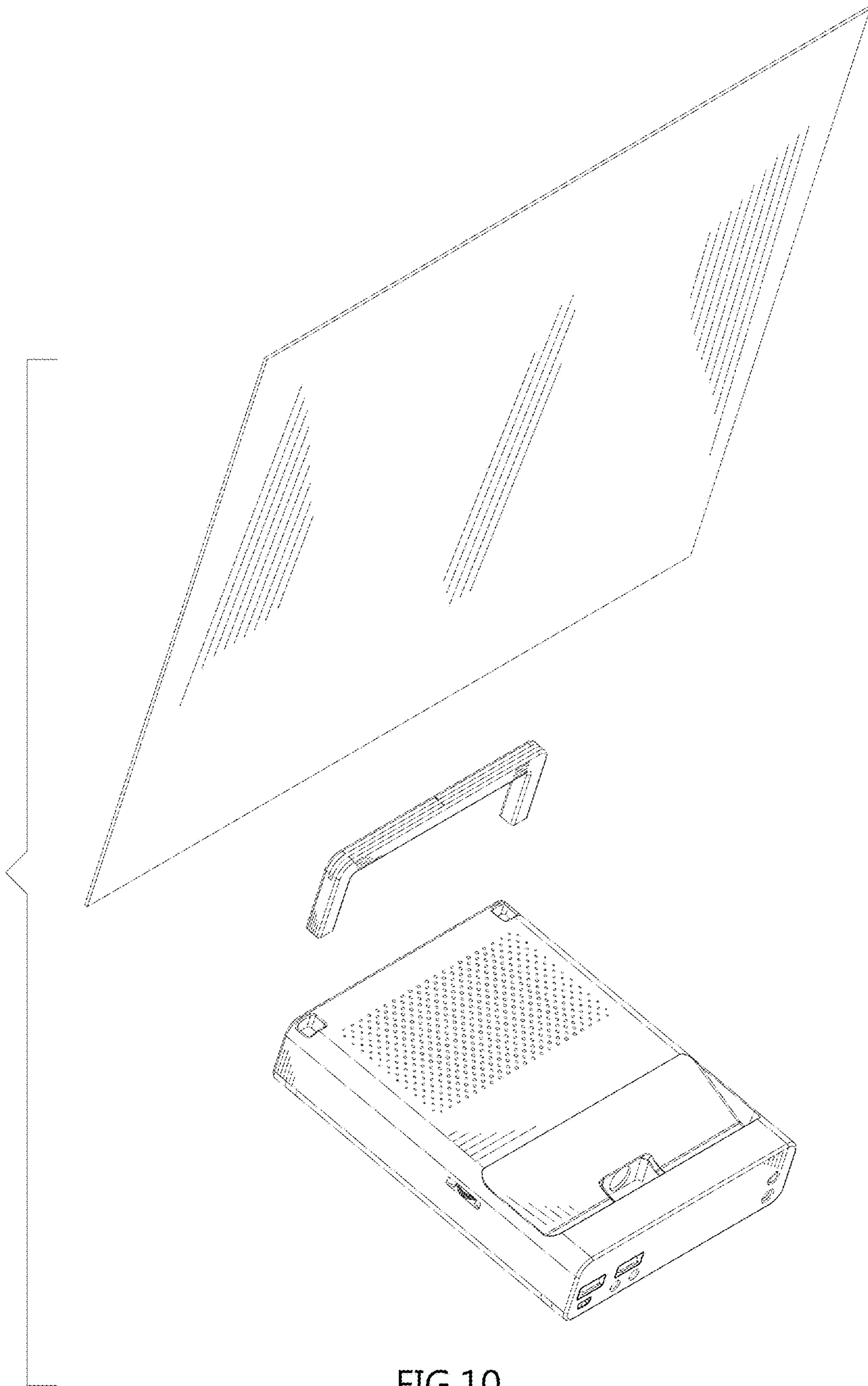


FIG.10

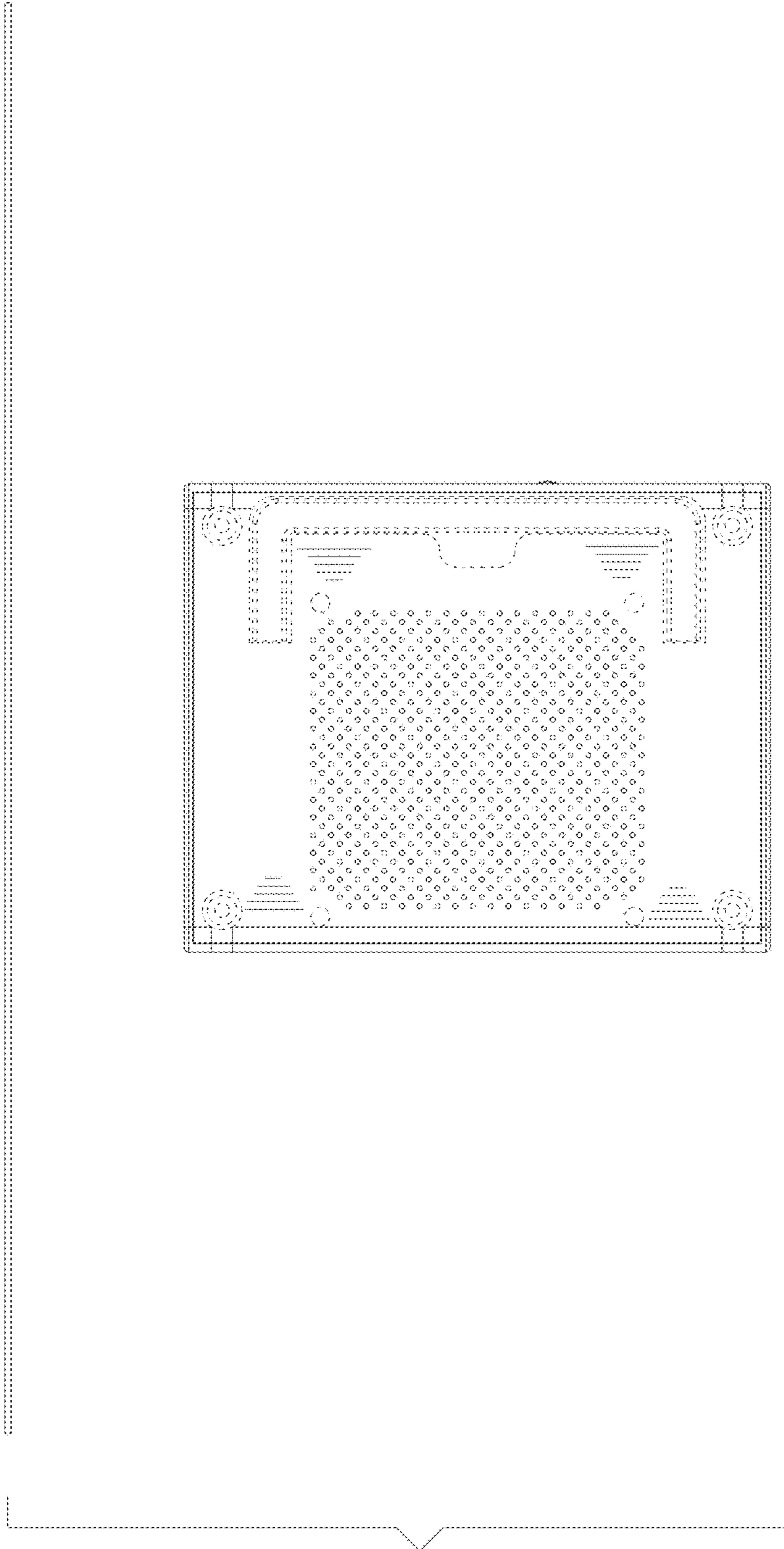


FIG.11