



US00D791854S

(12) **United States Design Patent**  
**Bates et al.**

(10) **Patent No.:** **US D791,854 S**  
(45) **Date of Patent:** **\*\* Jul. 11, 2017**

- (54) **STEREOSCOPIC VIEWER**
- (71) Applicant: **Structural Graphics, LLC**, Essex, CT (US)
- (72) Inventors: **Alexander S. Bates**, Portland, CT (US);  
**Erik Hluchan**, Deep River, CT (US);  
**Joseph V. Migliaccio**, Old Lyme, CT (US)
- (73) Assignee: **Structural Graphics, LLC**, Essex, CT (US)
- (\*\*) Term: **15 Years**
- (21) Appl. No.: **29/554,539**
- (22) Filed: **Feb. 12, 2016**
- (51) **LOC (10) Cl.** ..... **16-02**
- (52) **U.S. Cl.**  
USPC ..... **D16/222**
- (58) **Field of Classification Search**  
USPC ..... D16/221-222, 225, 229; D14/372  
CPC ..... G02B 27/2228; G02B 27/225; G02B 27/2235; G02B 27/2257  
See application file for complete search history.

2,715,853 A *	8/1955	Austin	.....	G02B 27/2257
				359/474
2,789,460 A *	4/1957	Kaufman	.....	G02B 27/2257
				359/474
D181,501 S *	11/1957	Somach	.....	D16/222
4,116,533 A *	9/1978	Nerlich	.....	G02B 27/2228
				359/469
4,846,553 A *	7/1989	Rice	.....	G02B 27/2257
				359/408
D479,260 S *	9/2003	Hamamura	.....	D16/222
D750,074 S	2/2016	Coz et al.		
2010/0079356 A1	4/2010	Hoellwarth		

\* cited by examiner

*Primary Examiner* — Wan Laymon

(74) *Attorney, Agent, or Firm* — Ware, Fressola, Maguire & Barber LLP

(57) **CLAIM**

The ornamental design for a stereoscopic viewer, as shown and described.

**DESCRIPTION**

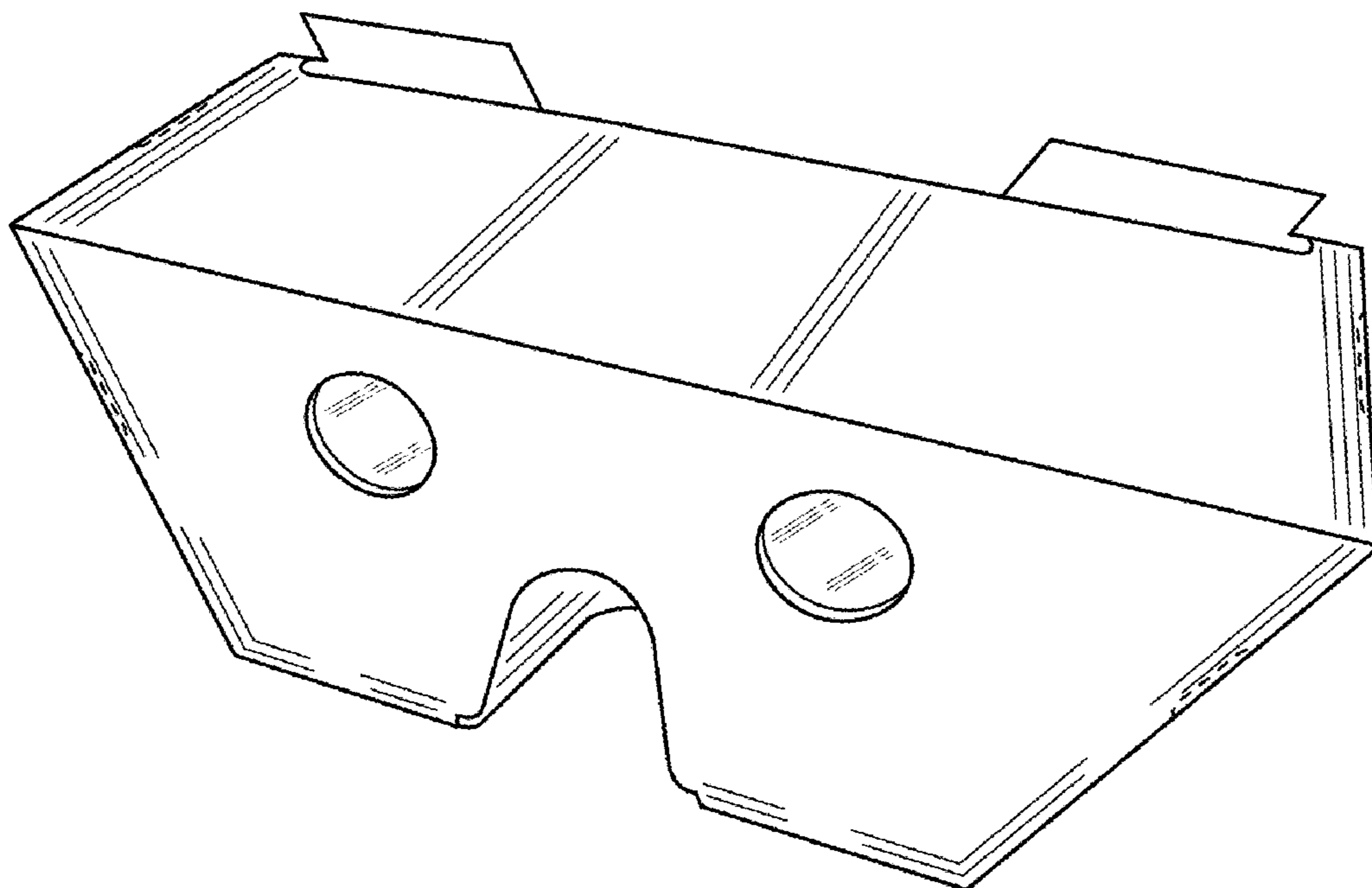
FIG. 1 is a front perspective view of a stereoscopic viewer showing our new design;  
 FIG. 2 is a top plan view thereof;  
 FIG. 3 is a bottom plan view thereof;  
 FIG. 4 is a front elevational view thereof;  
 FIG. 5 is a left side elevational view thereof;  
 FIG. 6 is a right side elevational view thereof; and,  
 FIG. 7 is a rear elevational view thereof.  
 Broken line illustrations of three corner flaps in FIGS. 3, 5 and 6 and various edge tabs in FIGS. 1-6 are not part of the design sought to be patented.

**1 Claim, 2 Drawing Sheets**

(56) **References Cited**

**U.S. PATENT DOCUMENTS**

D120,634 S *	5/1940	Austin	.....	D16/222
2,282,151 A *	5/1942	Austin	.....	G02B 27/2235
				359/471
D166,907 S *	6/1952	Collins	.....	D16/222
D171,049 S *	12/1953	Romrell	.....	D16/222
2,666,360 A *	1/1954	Collins	.....	G02B 27/2228
				359/475



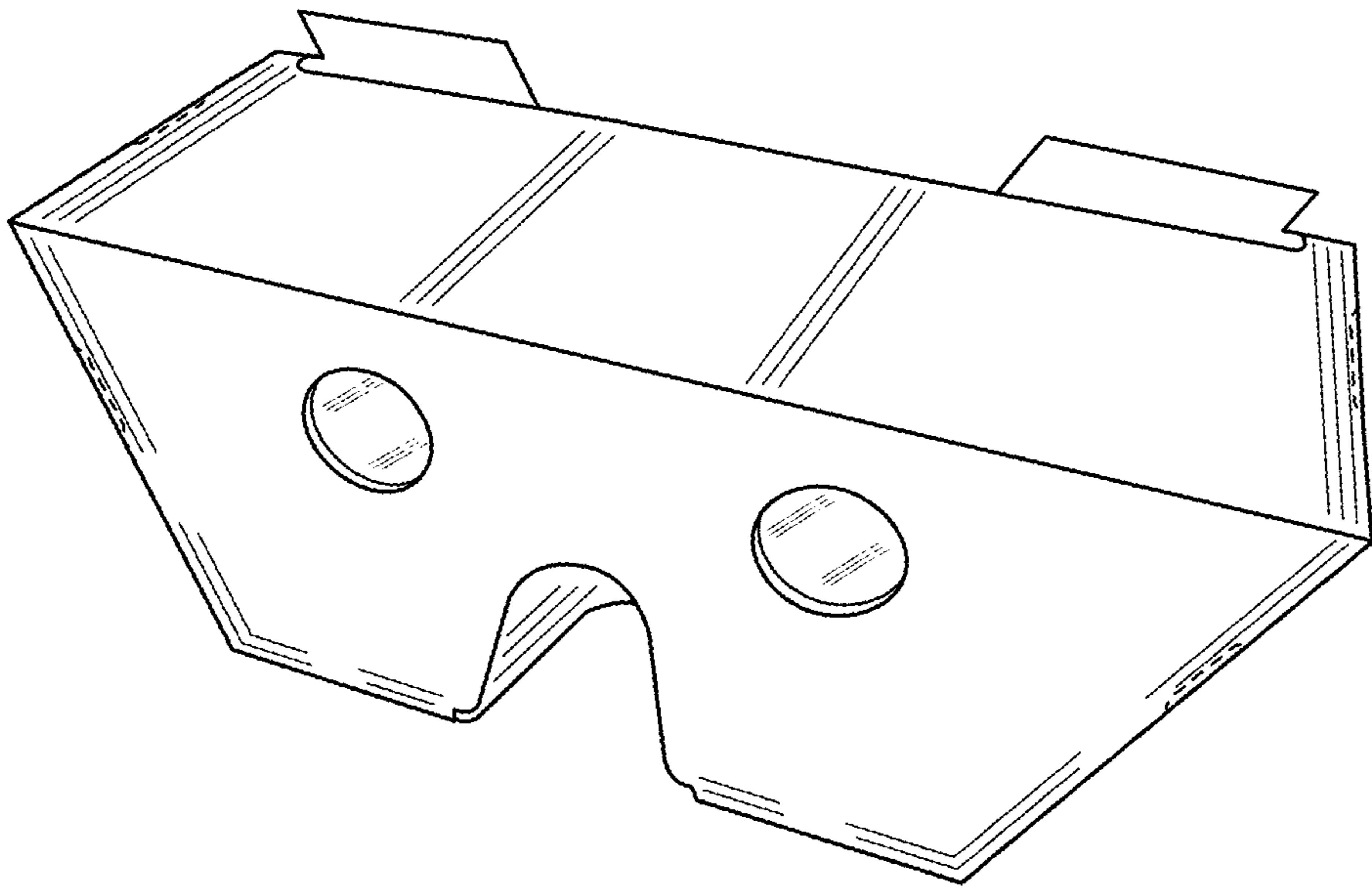


Fig. 1

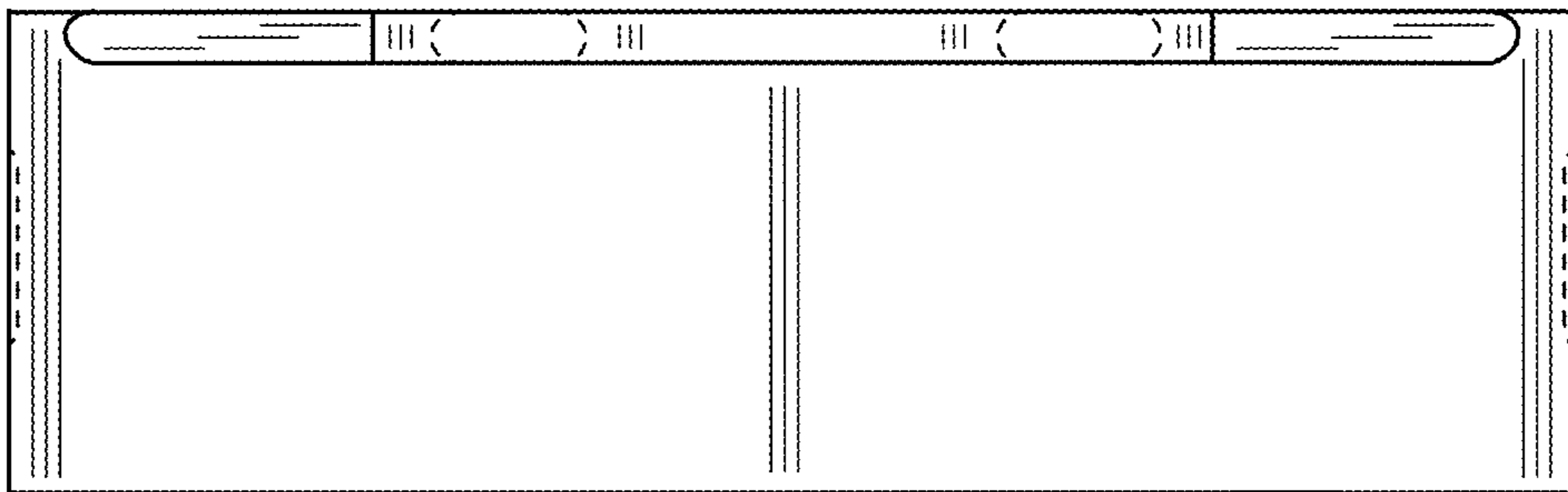


Fig. 2

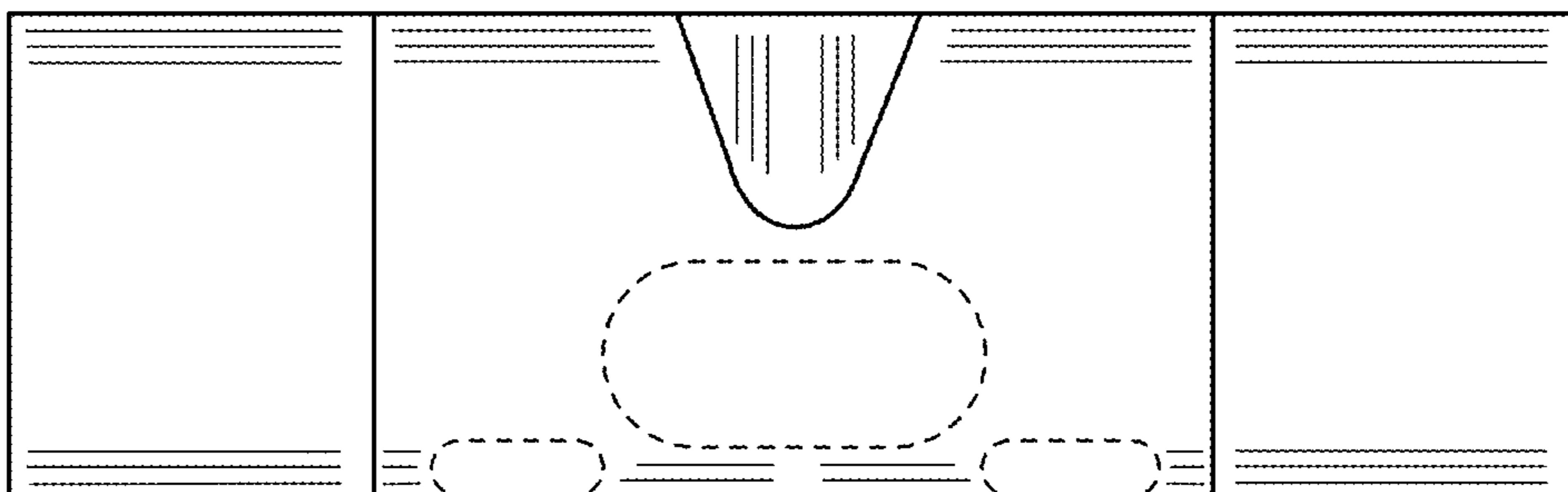


Fig. 3

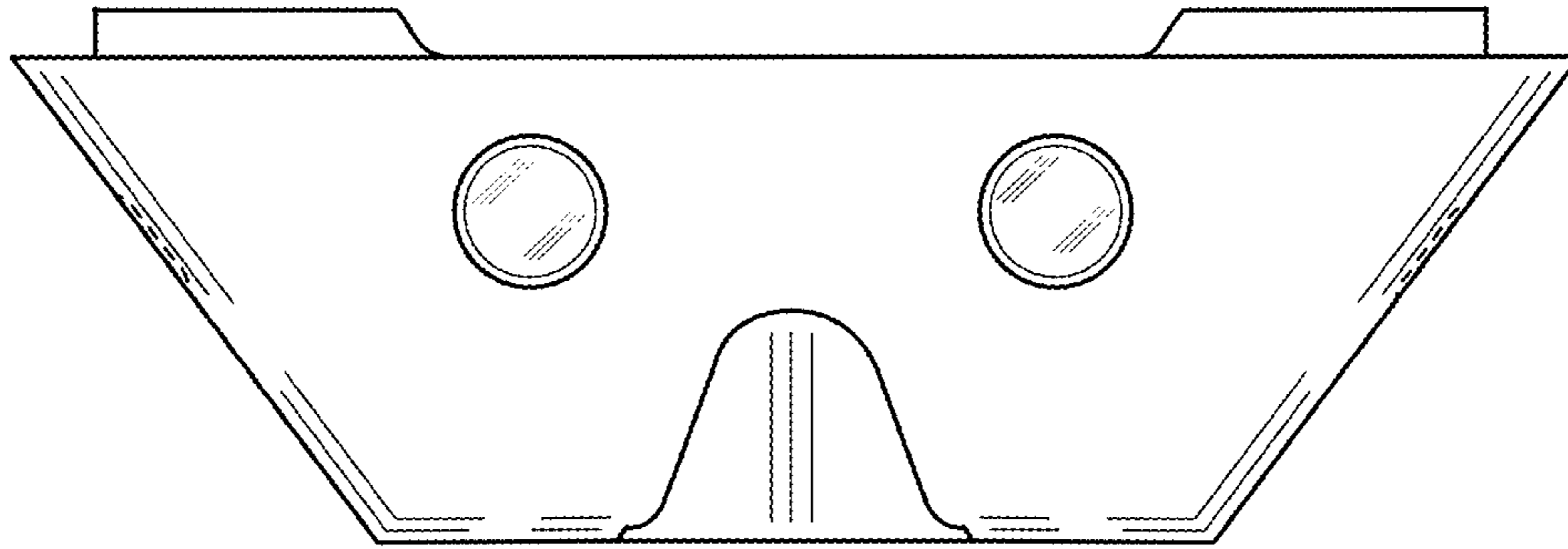


FIG. 4

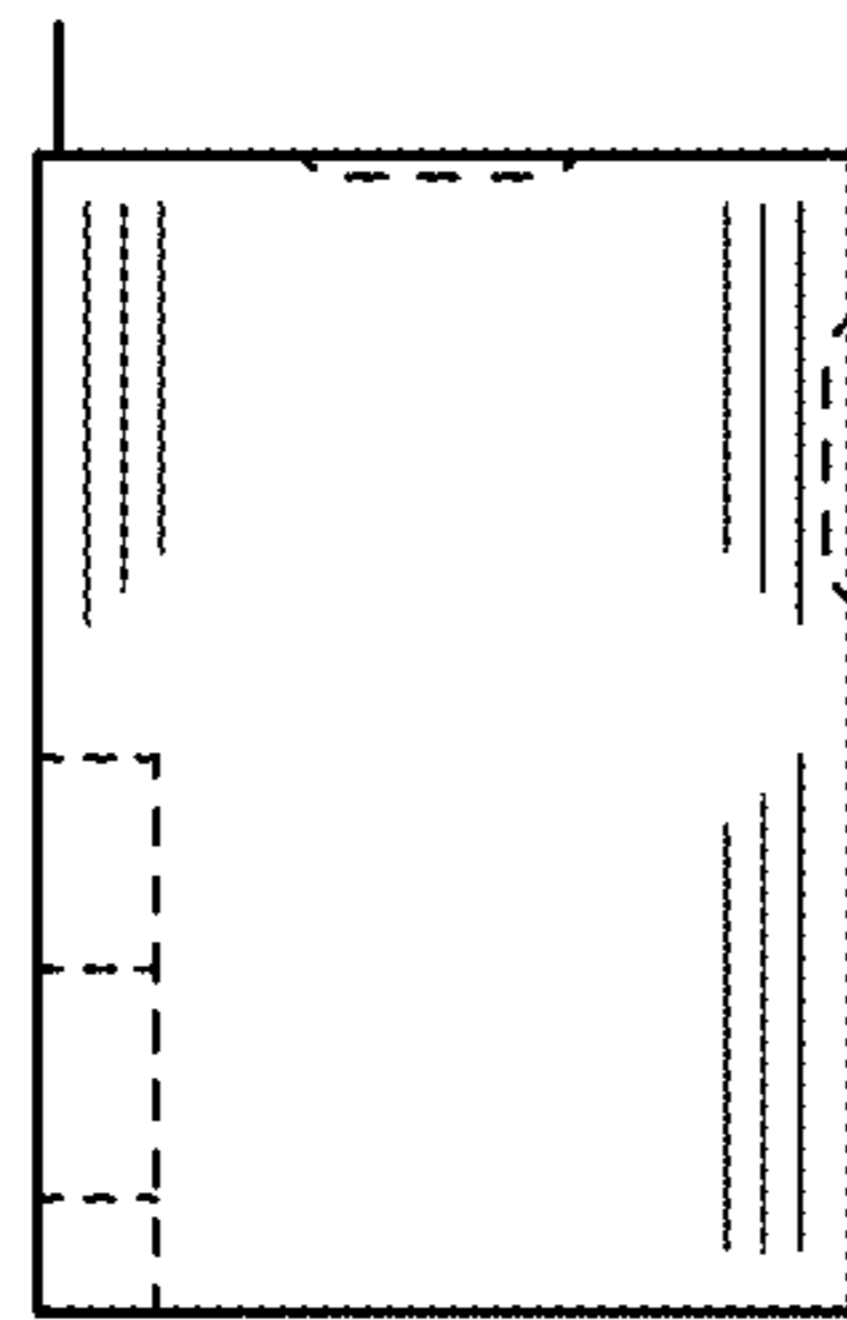


Fig. 5

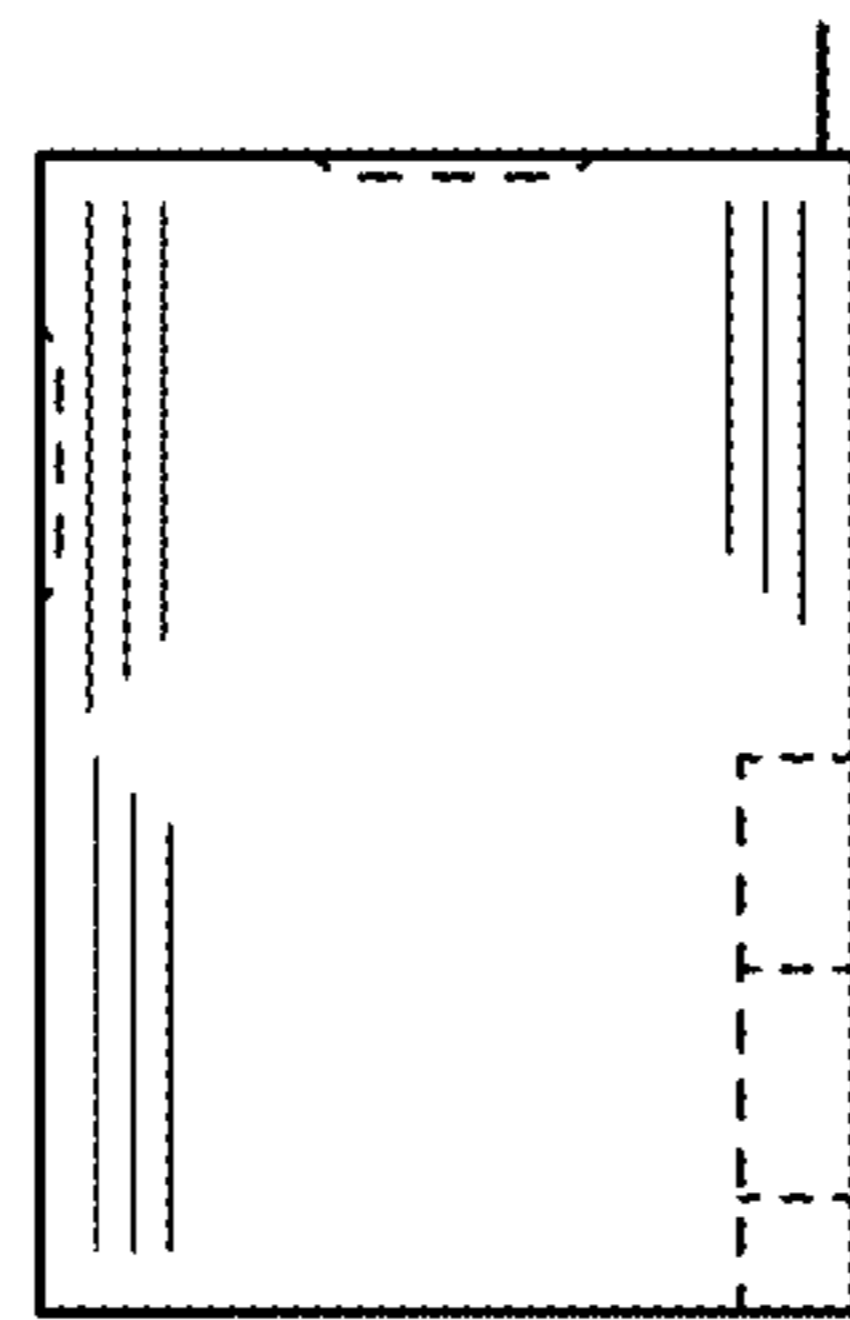


Fig. 6

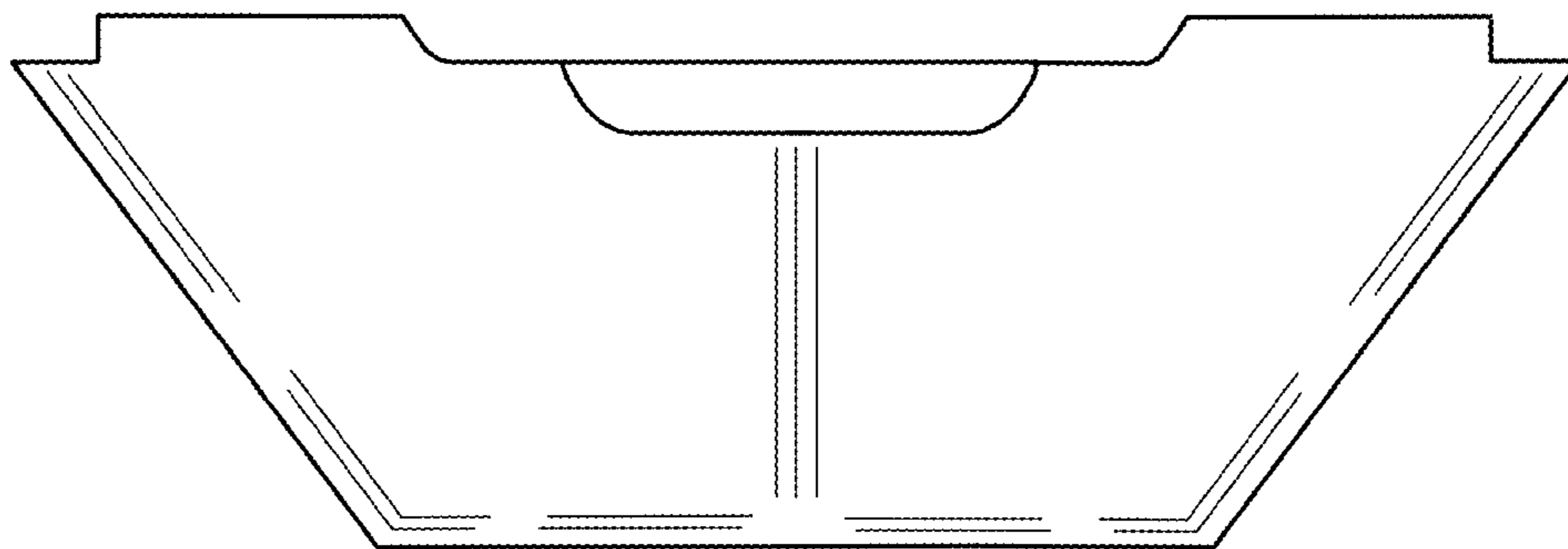


FIG. 7