



US00D791853S

(12) **United States Design Patent**  
**Capaul-Weber et al.**

(10) **Patent No.:** **US D791,853 S**  
(45) **Date of Patent:** **\*\* Jul. 11, 2017**

- (54) **SHIFT ADAPTER FOR LENSES**
- (71) Applicant: **ALPA CAPAUL & WEBER AG**,  
Zürich (CH)
- (72) Inventors: **Thomas Capaul-Weber**, Zurich (CH);  
**André Oldani**, Zurich (CH)
- (\*\*) Term: **15 Years**
- (21) Appl. No.: **35/500,685**
- (22) Filed: **Sep. 11, 2015**
- (80) **Hague Agreement Data**  
Int. Filing Date: **Sep. 11, 2015**  
Int. Reg. No.: **DM/088192**  
Int. Reg. Date: **Sep. 11, 2015**  
Int. Reg. Pub. Date: **Mar. 11, 2016**
- (51) **LOC (10) Cl.** ..... **16-05**
- (52) **U.S. Cl.**  
USPC ..... **D16/219**
- (Continued)CPC ..... **G03B 5/06** (2013.01)
- (58) **Field of Classification Search**  
USPC ..... D16/219, 237, 101, 130, 134;  
396/341-347  
CPC ..... G03B 5/06; G03B 17/14; G03B 17/561;  
G03B 17/565  
See application file for complete search history.
- (56) **References Cited**  
**U.S. PATENT DOCUMENTS**  
5,044,728 A \* 9/1991 Flother ..... G03B 5/04  
359/554  
5,053,794 A \* 10/1991 Benz ..... G02B 7/00  
359/819  
5,194,988 A \* 3/1993 Flother ..... G03B 5/04  
359/554

- 5,289,215 A \* 2/1994 Clairmont ..... G02B 7/28  
352/139
- 5,592,331 A \* 1/1997 Eastcott ..... G02B 7/24  
359/554
- 5,640,630 A \* 6/1997 Hattan ..... G03B 5/06  
396/342
- 6,318,912 B1 \* 11/2001 Shono ..... G03B 5/04  
359/822
- 7,178,997 B2 \* 2/2007 Claudi ..... G02B 23/16  
396/428
- 7,800,680 B2 \* 9/2010 Strong ..... G03B 5/06  
348/335
- 8,678,676 B2 \* 3/2014 Scholz ..... G03B 5/02  
396/342
- 9,201,292 B1 \* 12/2015 Folgarelli ..... G03B 17/561
- 2004/0114115 A1 \* 6/2004 Runco ..... G02B 7/023  
353/101
- 2013/0022348 A1 \* 1/2013 Hasuda ..... G03B 17/14  
396/530

\* cited by examiner

*Primary Examiner* — Richard E Chilcot

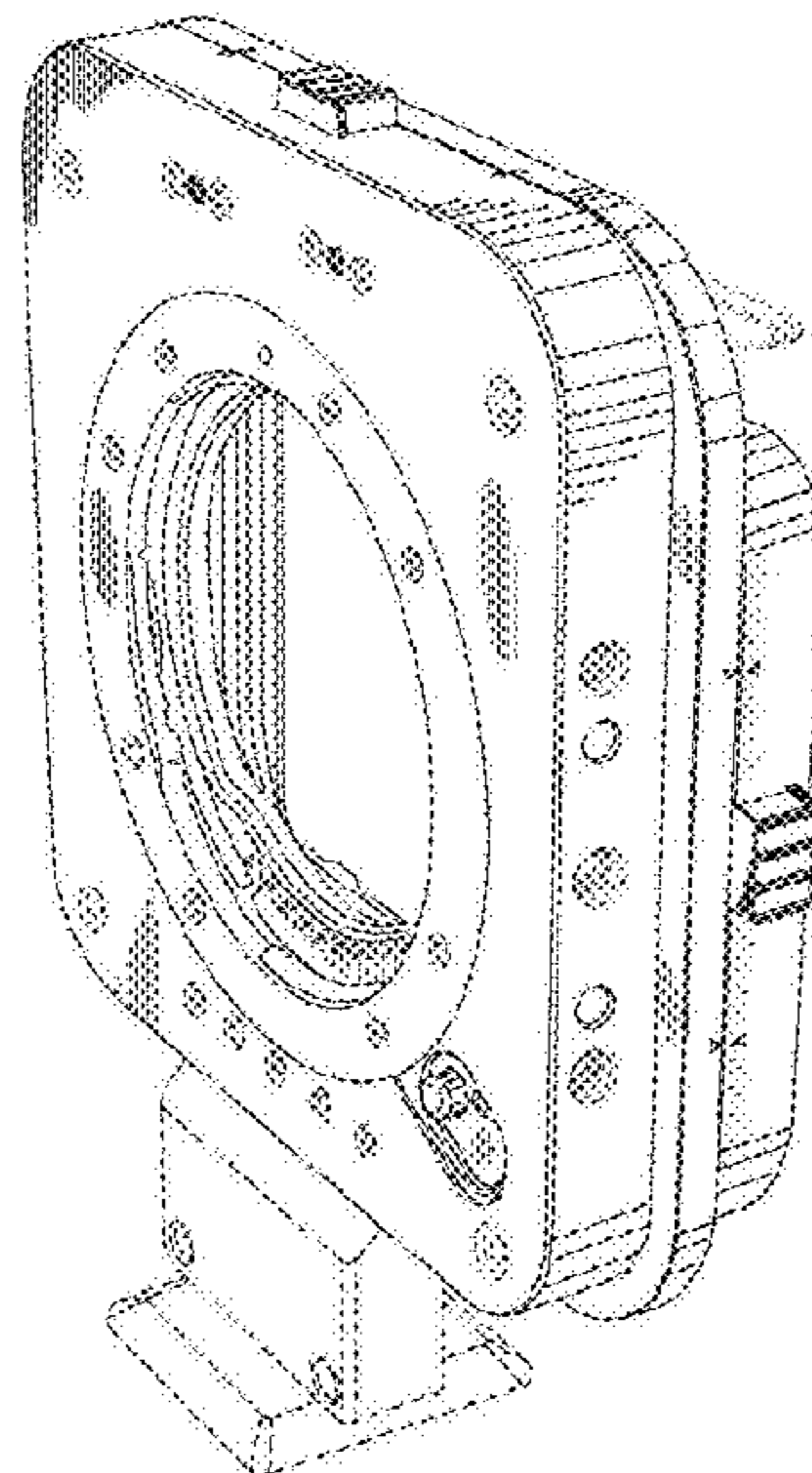
(57) **CLAIM**

The ornamental design for a shift adapter for lenses, as shown and described.

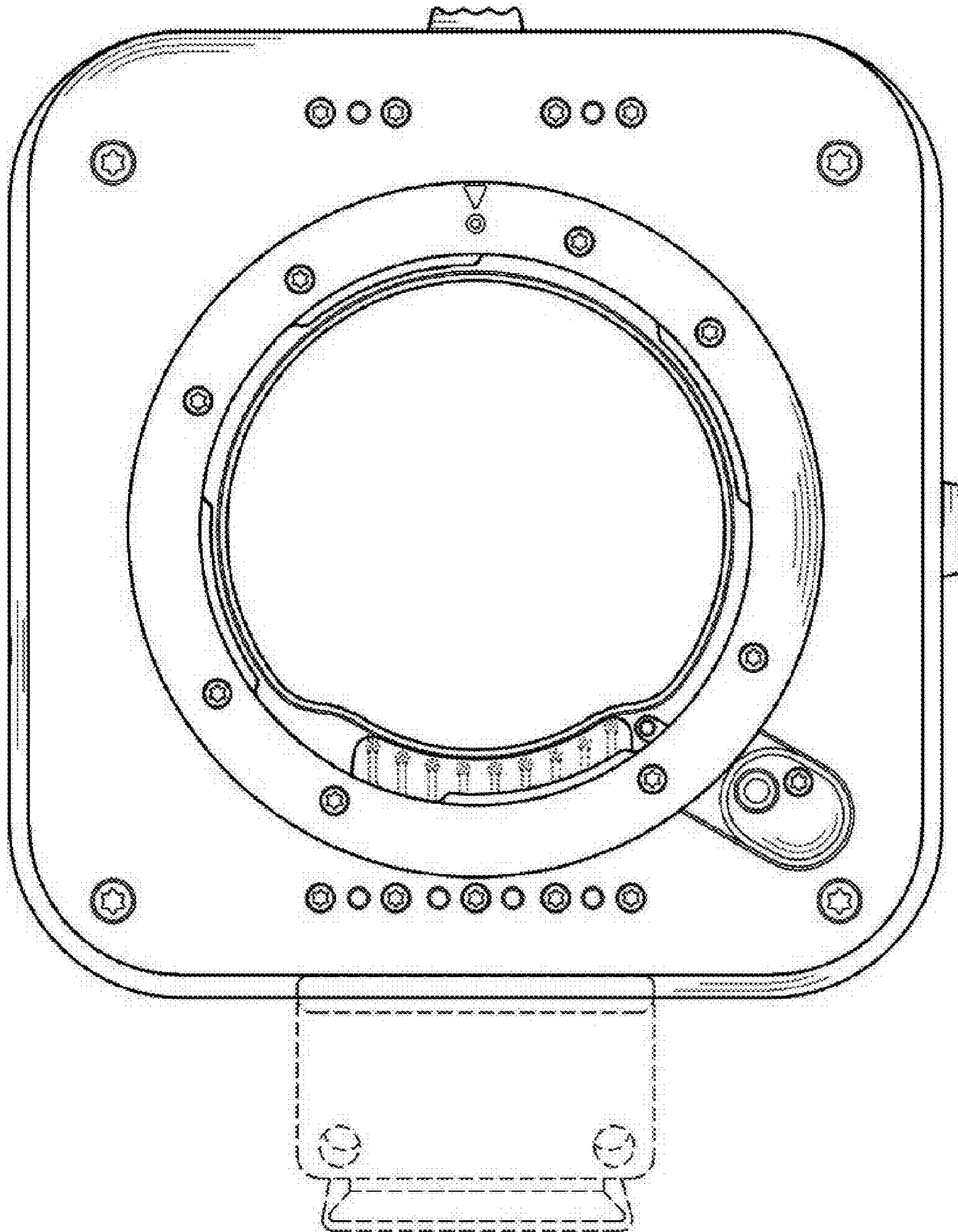
**DESCRIPTION**

- 1. Shift adapter for lenses
  - 1.1 : Front
  - 1.2 : Back
  - 1.3 : Left
  - 1.4 : Right
  - 1.5 : Top
  - 1.6 : Bottom
  - 1.7 : Perspective
  - 1.8 : Perspective
- Figure 1.8 shows the shifted position of the back part in relation to figure 1.7.

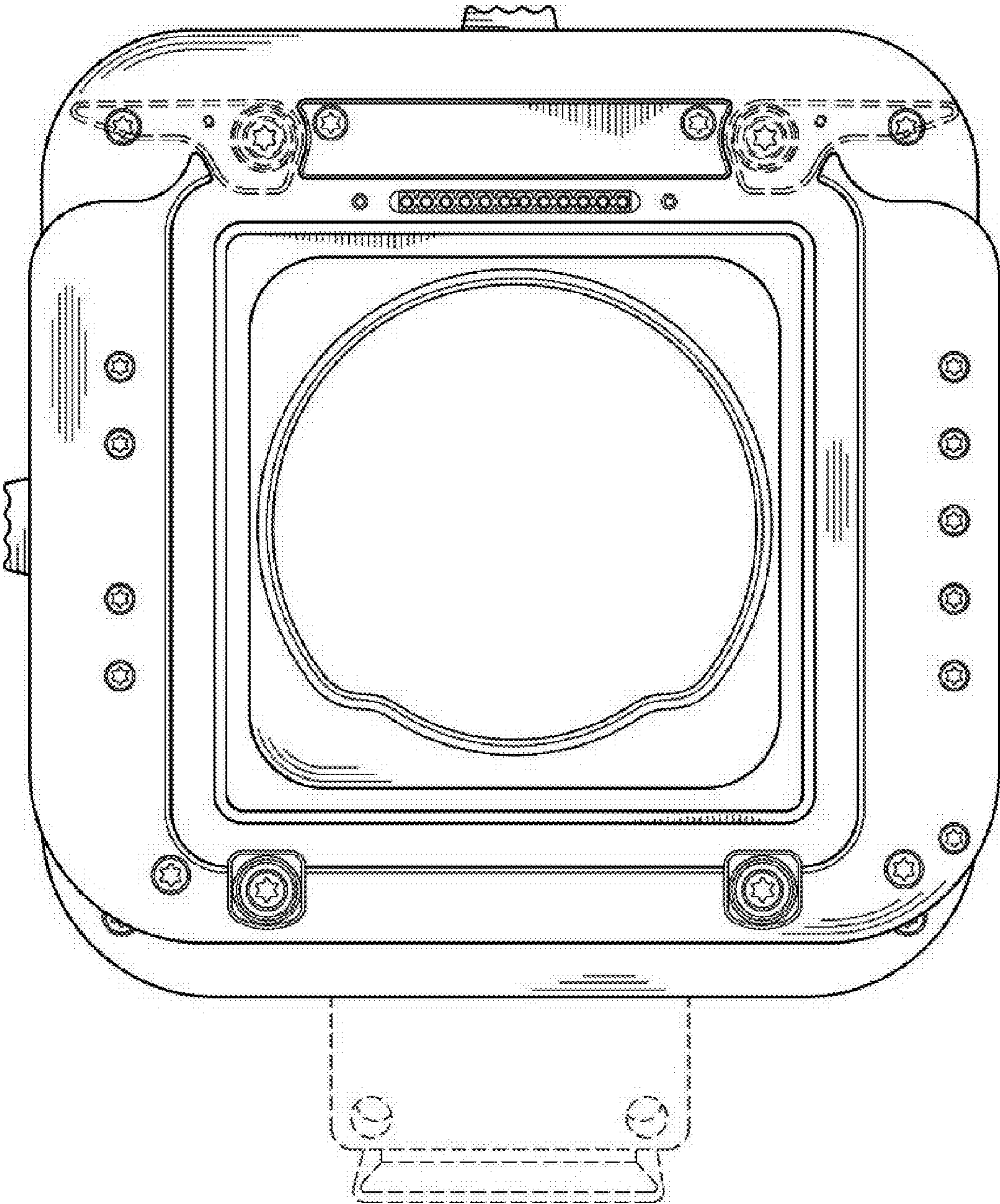
**1 Claim, 8 Drawing Sheets**



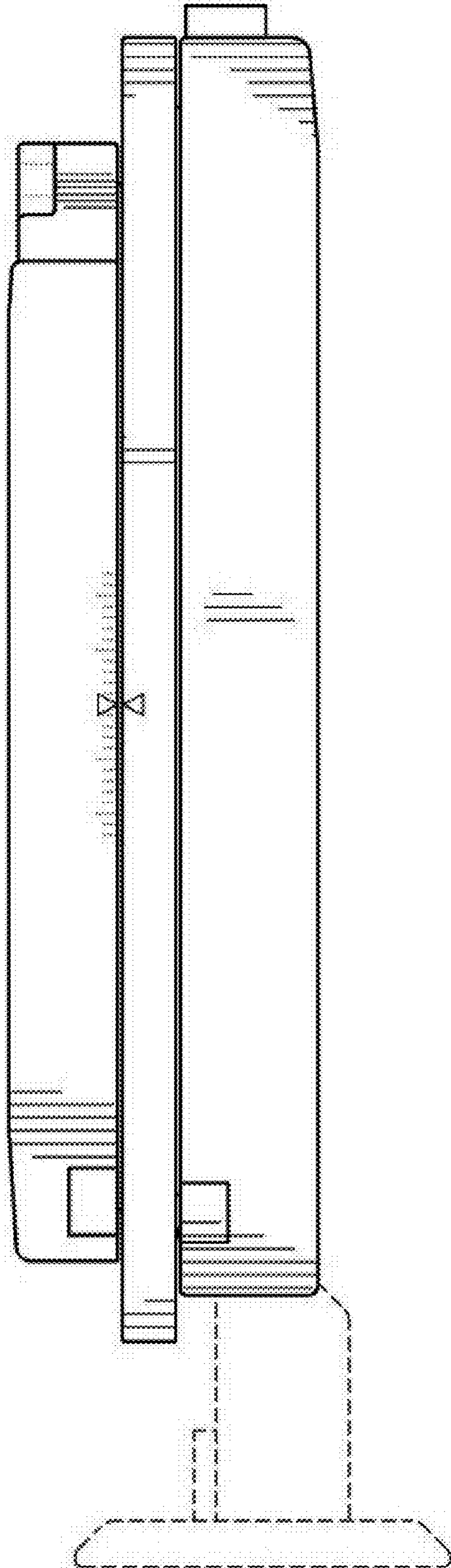
1.1



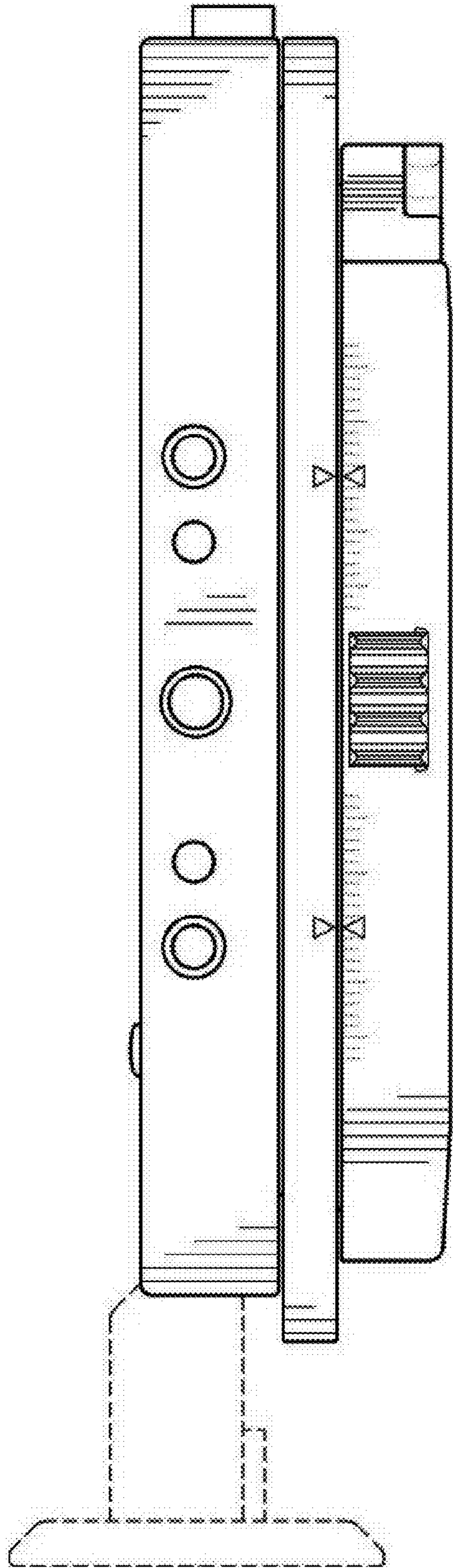
1.2



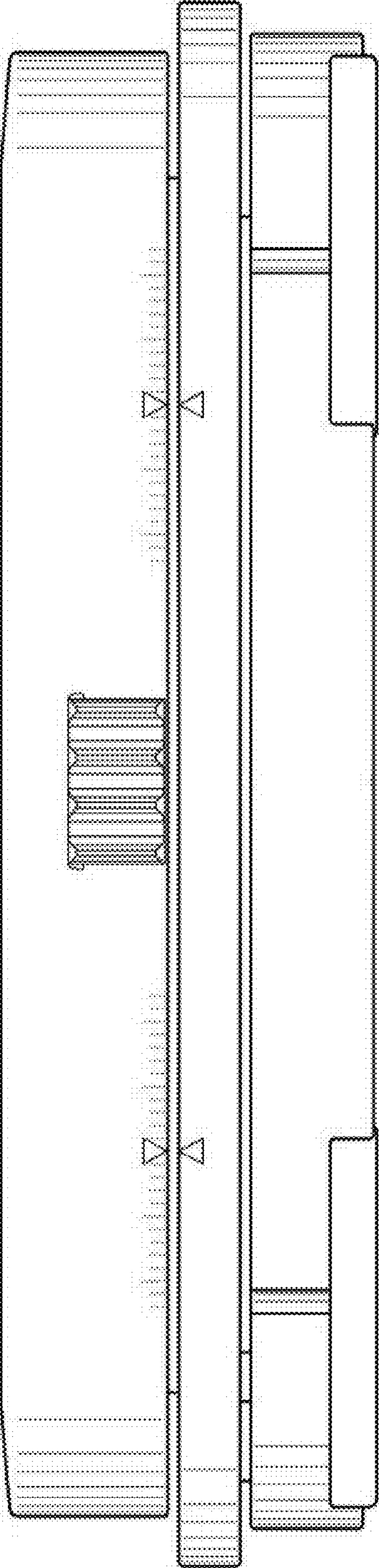
# 1.3



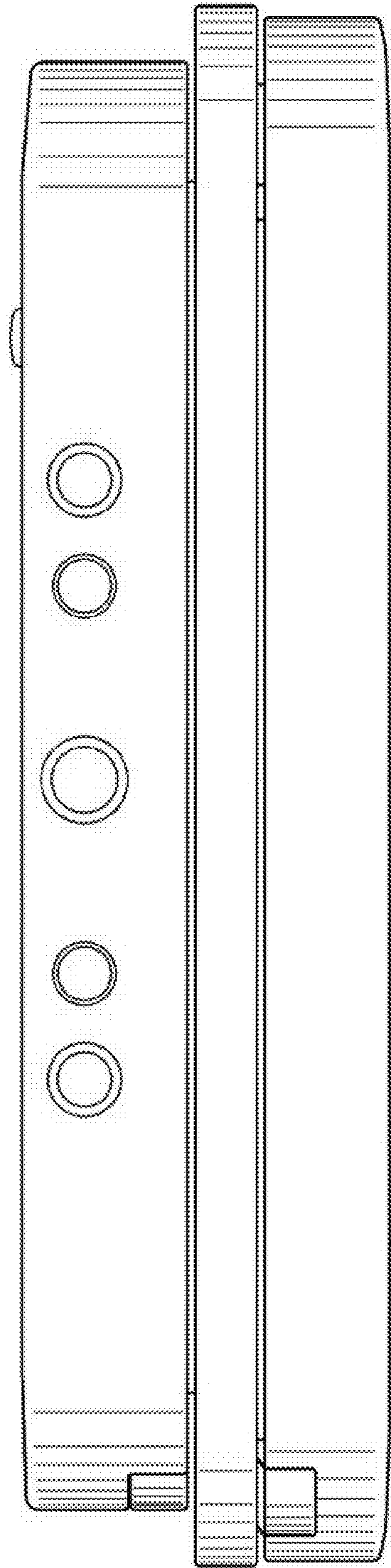
1.4



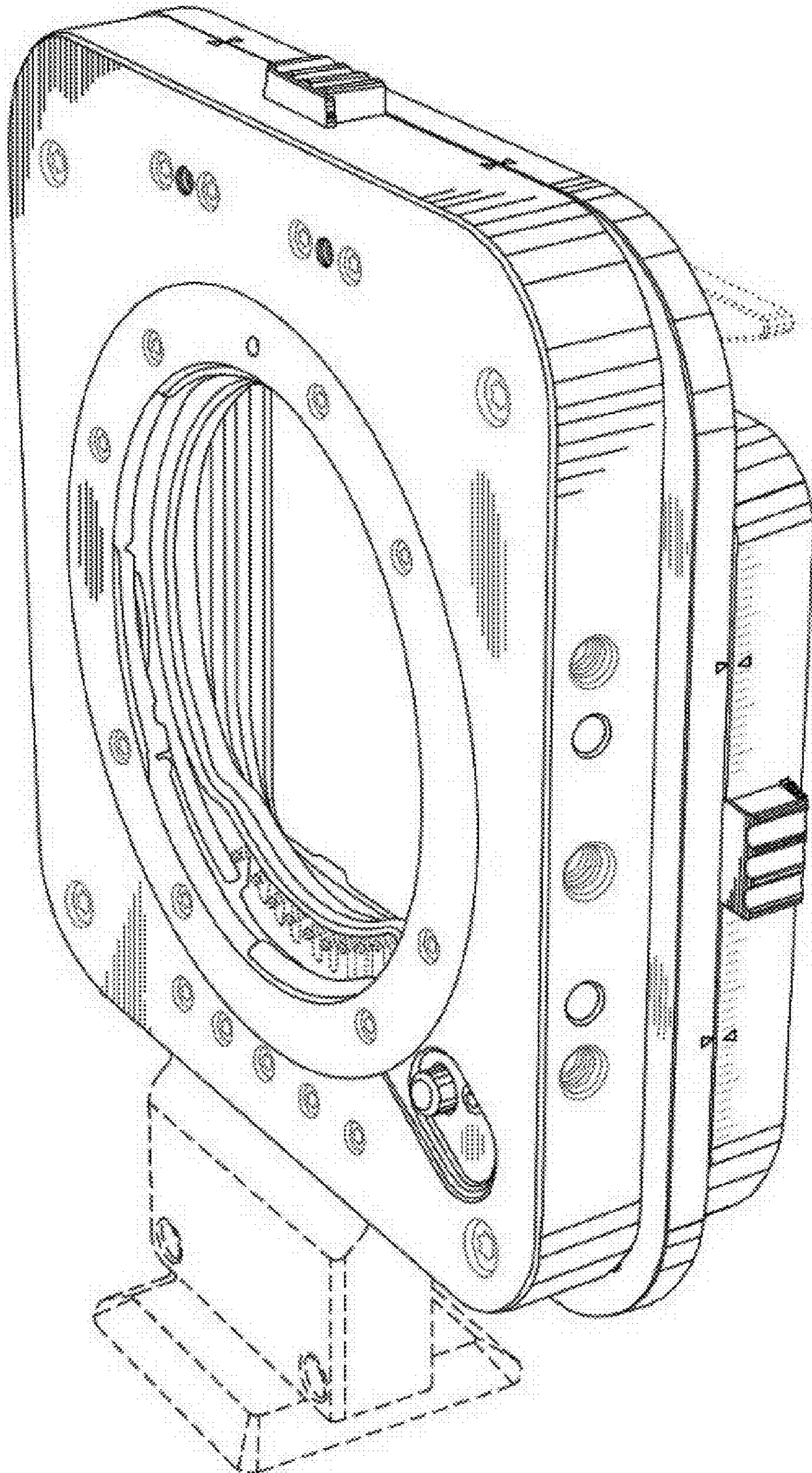
1.5



**1.6**



1.7





1.8

