



US00D791851S

(12) **United States Design Patent**
Zhang

(10) **Patent No.:** **US D791,851 S**

(45) **Date of Patent:** **** Jul. 11, 2017**

(54) **VIDEO CAMERA**

(71) Applicant: **HangZhou Hikvision Digital Technology Co., Ltd**, Hangzhou (CN)

(72) Inventor: **Fengmin Zhang**, Hangzhou (CN)

(73) Assignee: **HANGZHOU HIKVISION DIGITAL TECHNOLOGY CO., LTD.**, Hangzhou (CN)

(**) Term: **15 Years**

(21) Appl. No.: **29/536,308**

(22) Filed: **Aug. 14, 2015**

(30) **Foreign Application Priority Data**

Mar. 26, 2015 (CN) 2015 3 0075165

(51) **LOC (10) Cl.** **16-01**

(52) **U.S. Cl.**
USPC **D16/203**

(58) **Field of Classification Search**
USPC D16/200, 202-206, 218, 219, 242;
348/143, 148, 151, 373-376; 396/419,
396/427, 535, 539-541
CPC G03B 17/02; G03B 19/04; G03B 17/56;
G03B 17/04; G03B 15/03; H04N 5/2251;
H04N 5/2252; H04N 5/2253; H04N
5/2254; H04N 7/181; H04N 7/183; H04N
7/18; G08B 13/1963; G08B 13/19619;
G08B 13/19632; F16M 11/04; F16M
13/00
See application file for complete search history.

(56) **References Cited**

U.S. PATENT DOCUMENTS

D497,927 S * 11/2004 Arbuckle D16/203
D508,934 S * 8/2005 Nagai D16/203

D556,236 S * 11/2007 Kim D16/202
D564,005 S * 3/2008 Cheng D16/203
D584,756 S * 1/2009 Yamakawa D16/203
7,661,890 B2 * 2/2010 Basho G03B 27/58
348/143
D628,225 S * 11/2010 Deurwaarder D16/203
D633,120 S * 2/2011 Ham D16/203
D636,804 S * 4/2011 Anneback D16/203
D644,677 S * 9/2011 Park D16/203
D690,345 S * 9/2013 Seo D16/203
D740,870 S * 10/2015 Park D16/203
D761,341 S * 7/2016 Katori D16/203

* cited by examiner

Primary Examiner — Philip S Hyder

Assistant Examiner — Ramzi Almatrahi

(74) *Attorney, Agent, or Firm* — Knobbe Martens Olson & Bear LLP

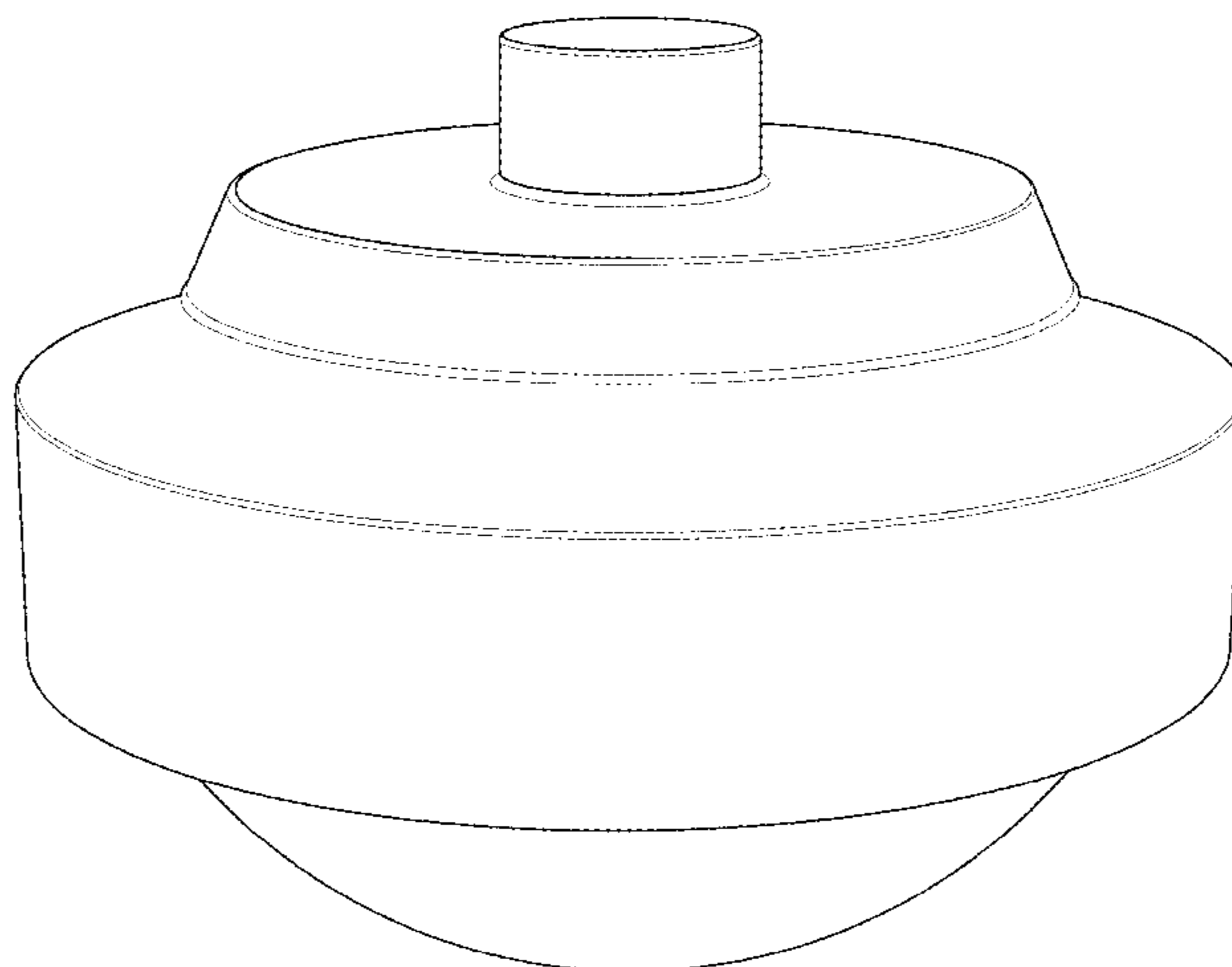
(57) **CLAIM**

The ornamental design for a video camera, as shown and described.

DESCRIPTION

FIG. 1 is a front elevational view of a video camera showing my new design.
FIG. 2 is a rear elevational view thereof.
FIG. 3 is a first side elevational view thereof.
FIG. 4 is a second side elevational view thereof.
FIG. 5 is a top plan view thereof.
FIG. 6 is a bottom plan view thereof; and,
FIG. 7 is a perspective view thereof.
The broken lines in FIG. 6 depict portions of the video camera in which the design is embodied that form no part of the claimed design.

1 Claim, 7 Drawing Sheets



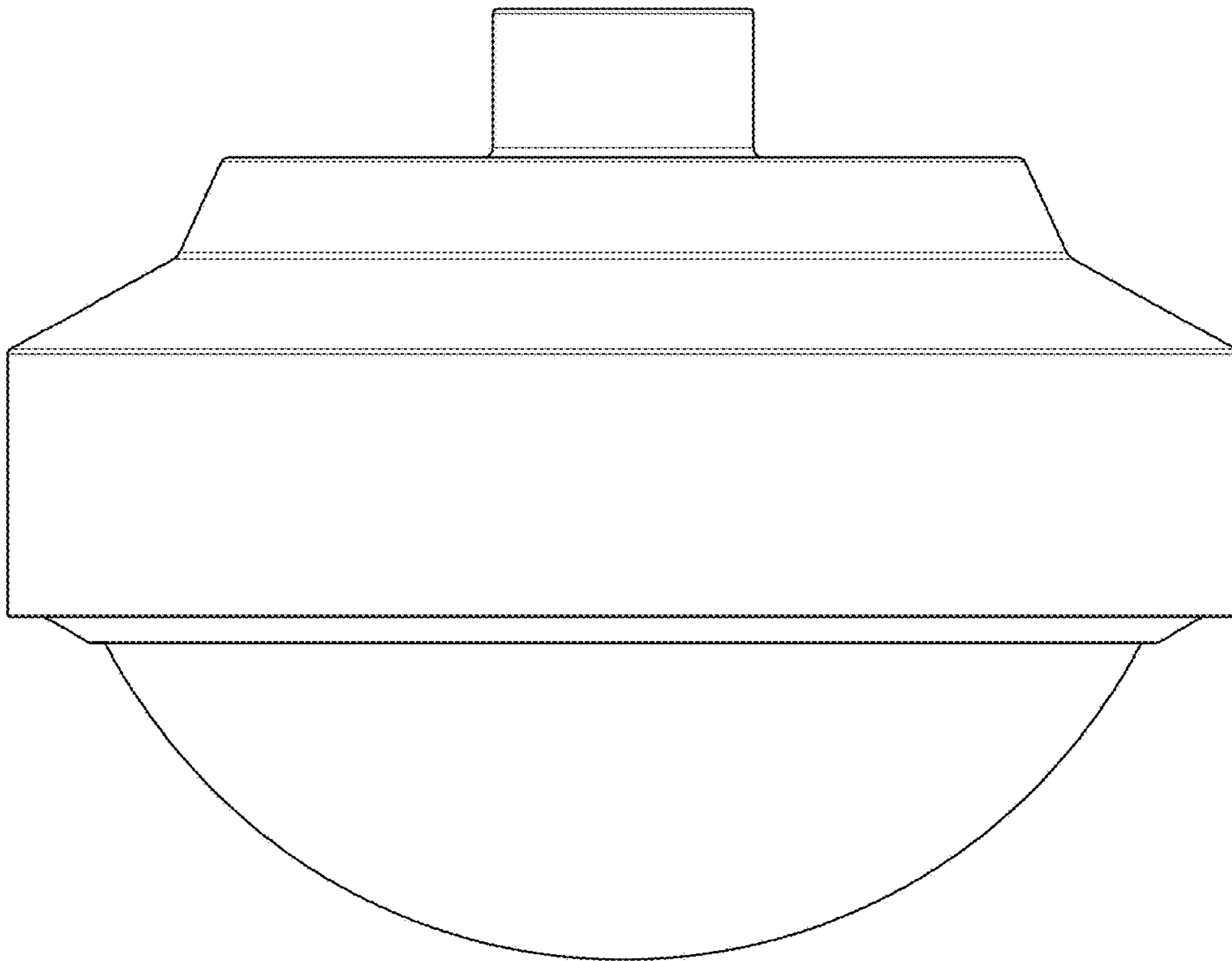


FIG. 1

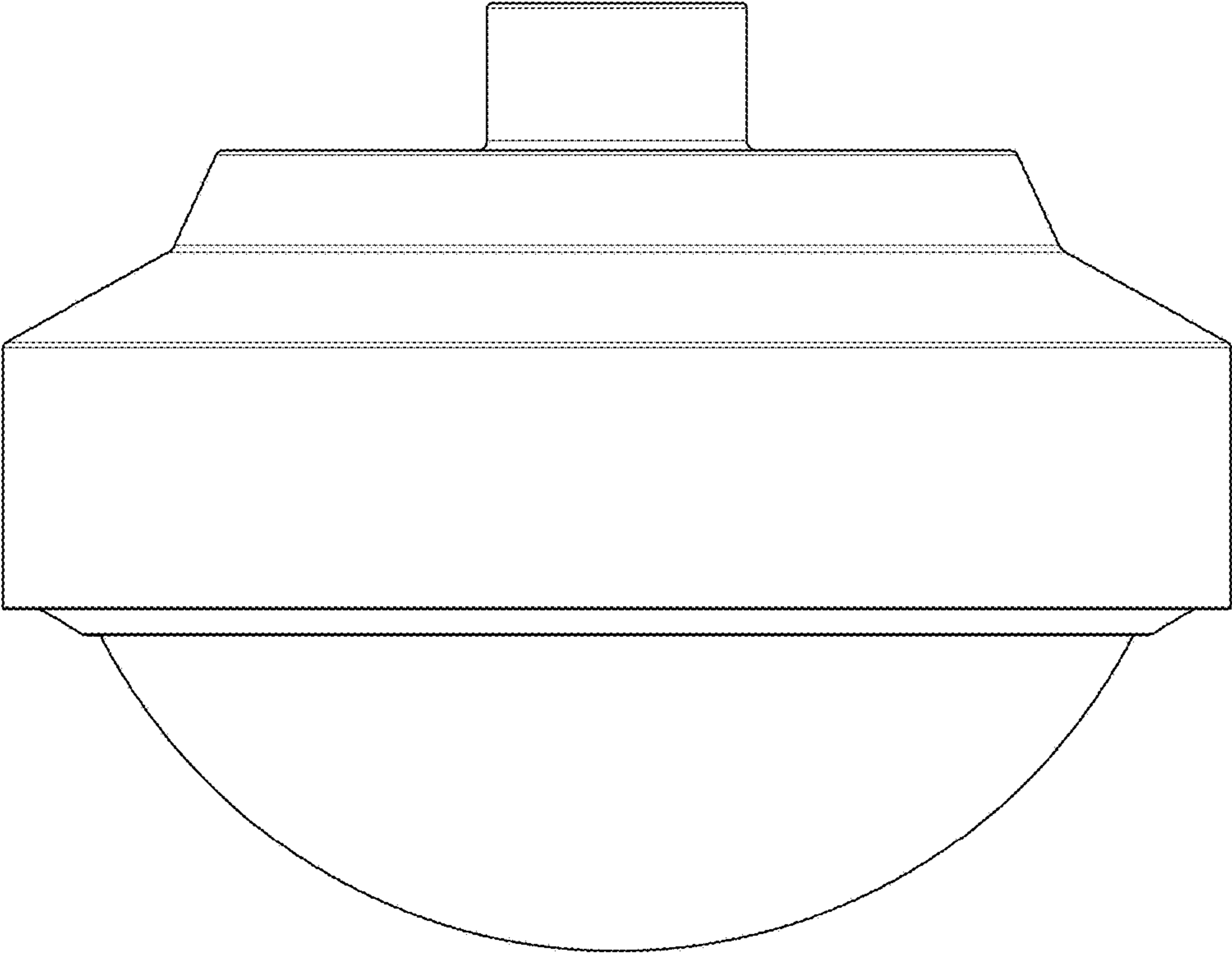


FIG. 2

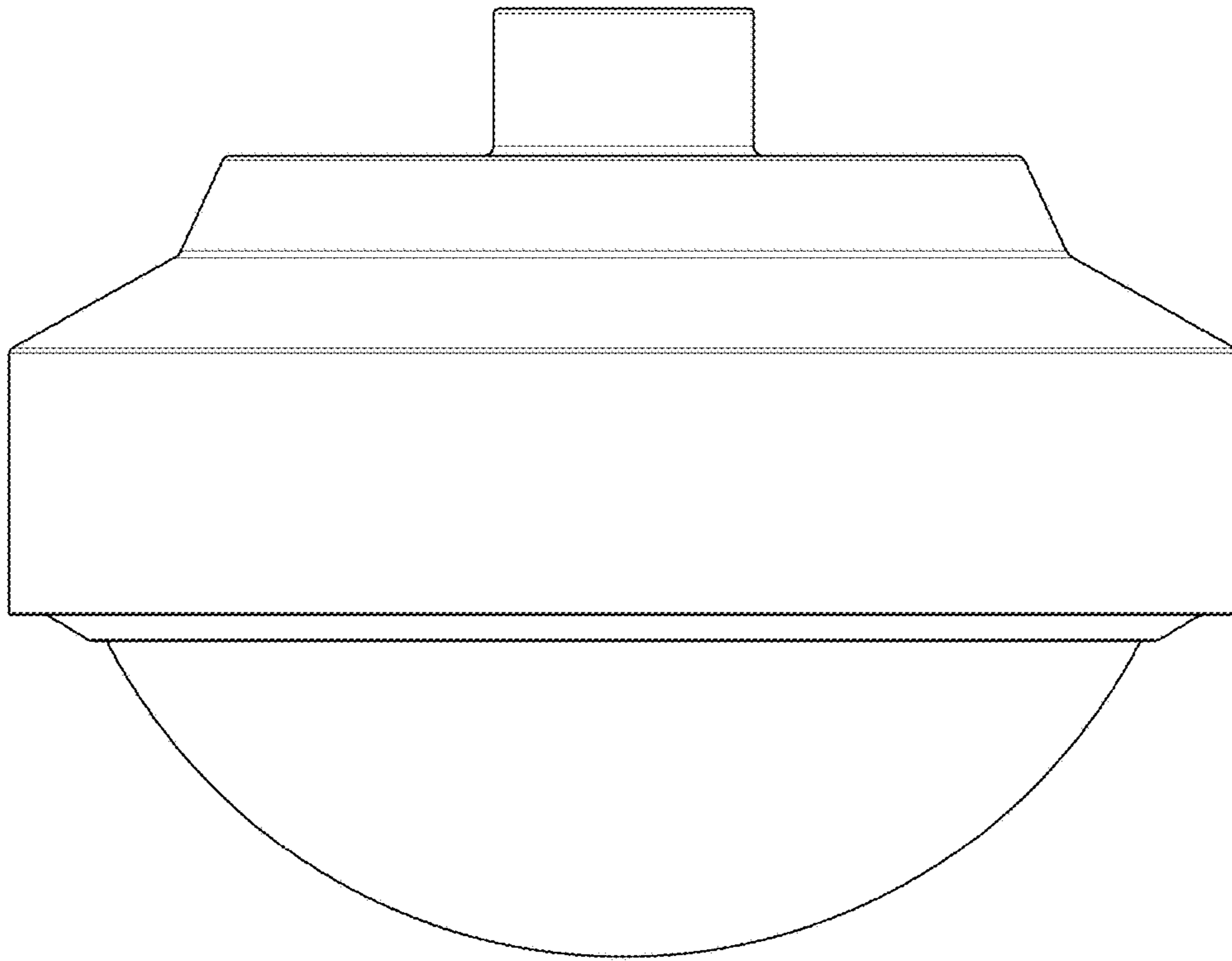


FIG. 3

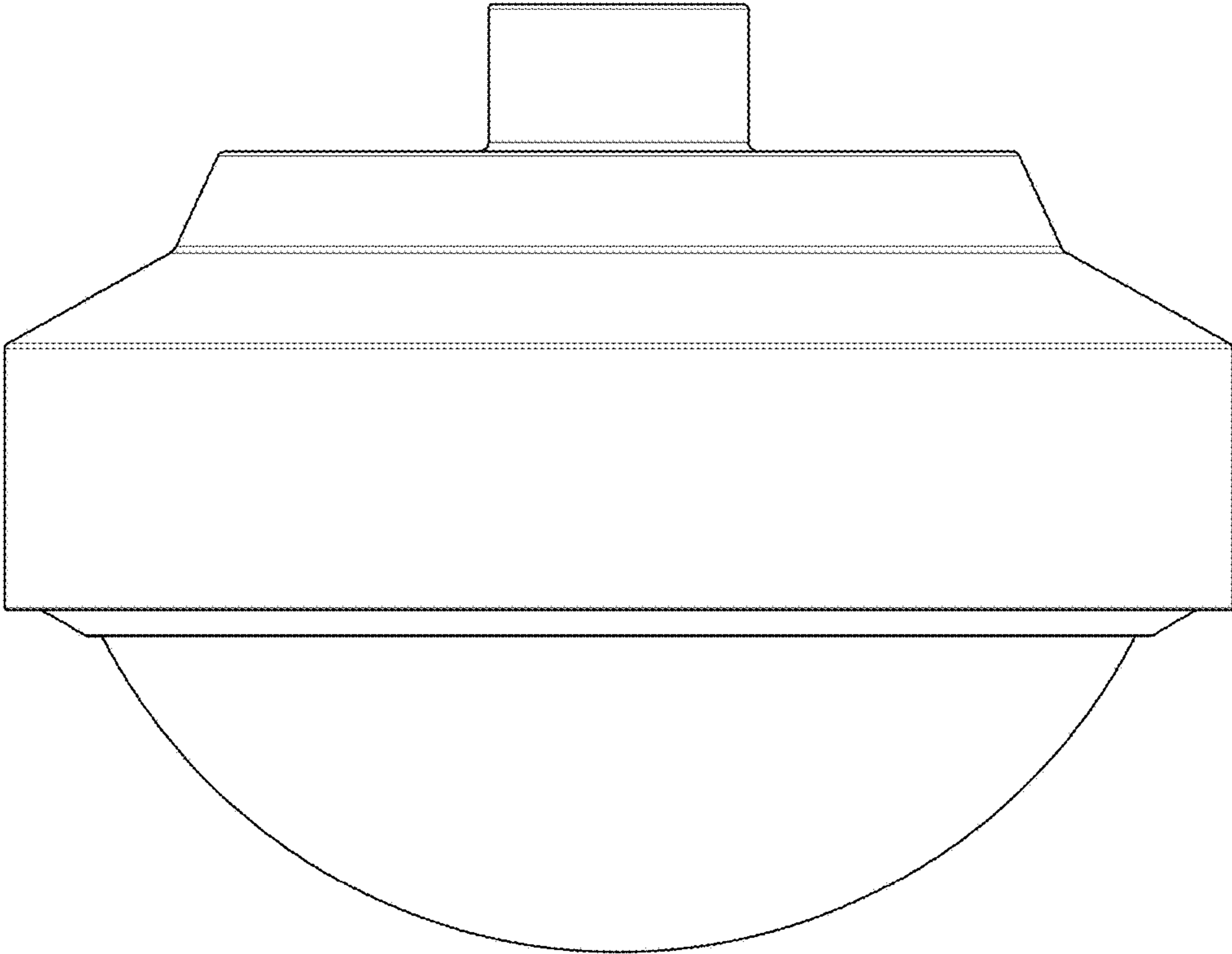


FIG. 4

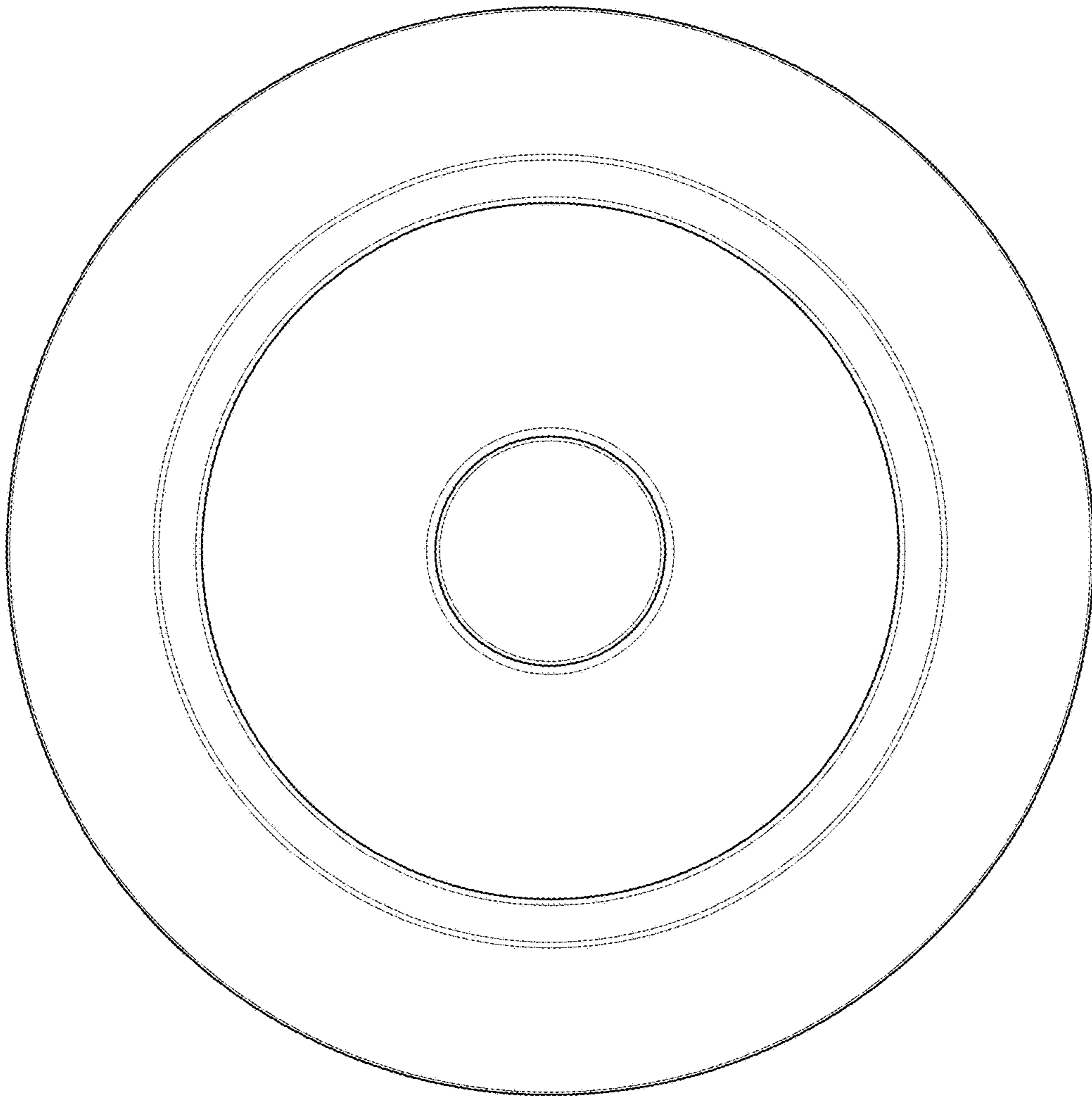


FIG. 5

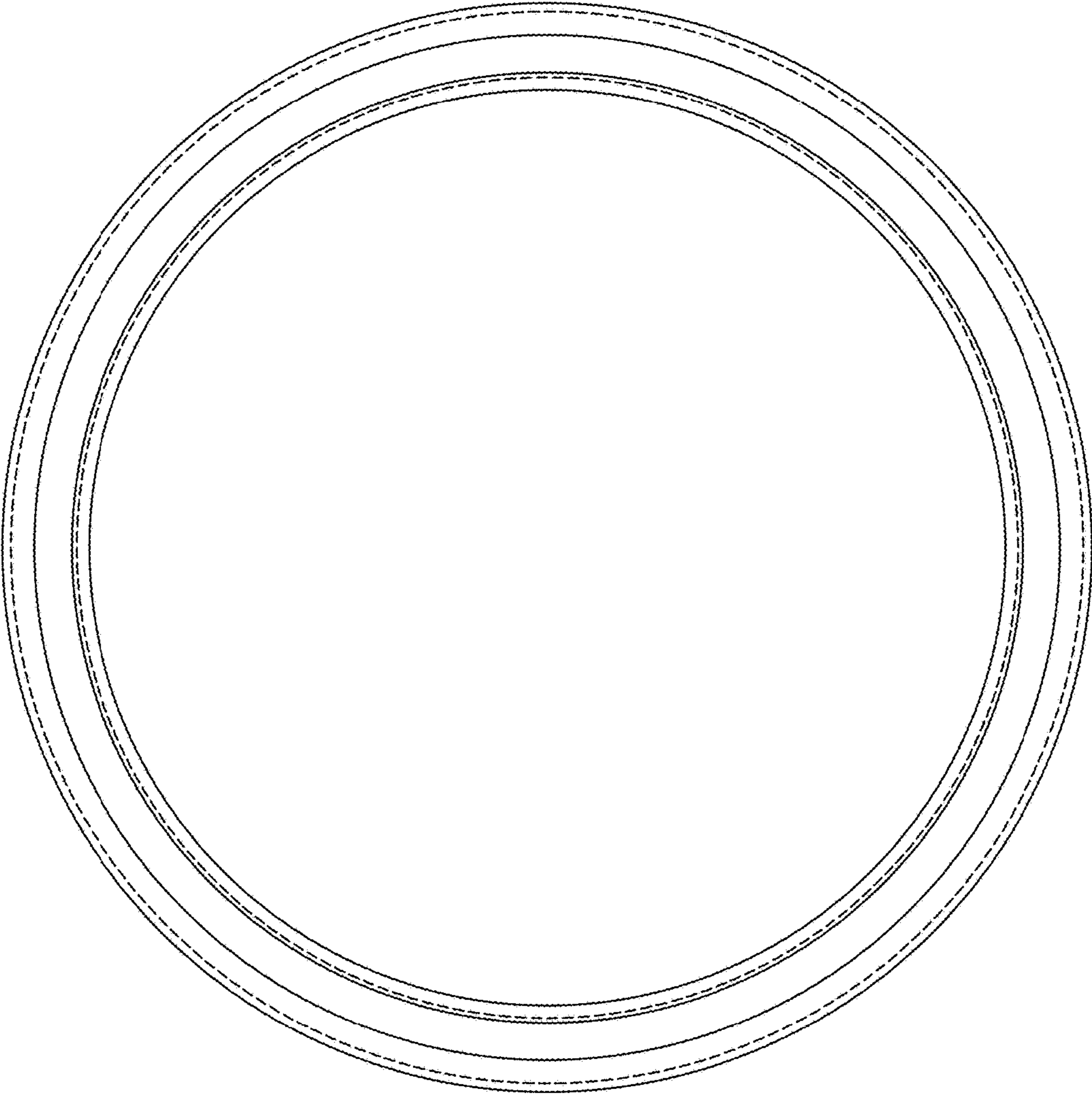


FIG. 6

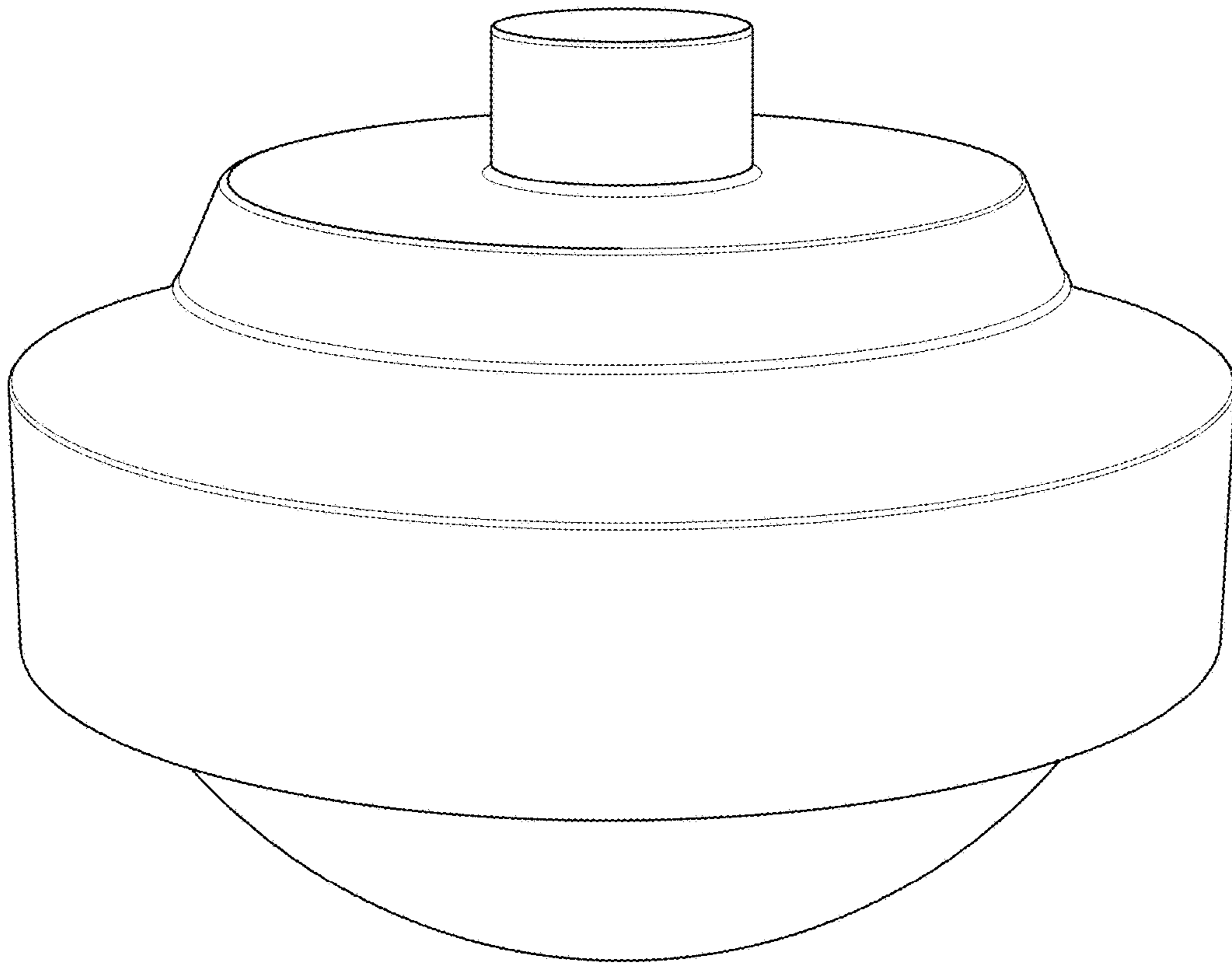


FIG. 7