



US00D791850S

(12) **United States Design Patent**
Zhang

(10) **Patent No.:** **US D791,850 S**

(45) **Date of Patent:** **** Jul. 11, 2017**

(54) **VIDEO CAMERA**

(71) Applicant: **HangZhou Hikvision Digital Technology Co., Ltd**, Hangzhou (CN)

(72) Inventor: **Fengmin Zhang**, Hangzhou (CN)

(73) Assignee: **HANGZHOU HIKVISION DIGITAL TECHNOLOGY CO., LTD.**, Hangzhou (CN)

(**) Term: **15 Years**

(21) Appl. No.: **29/536,307**

(22) Filed: **Aug. 14, 2015**

(30) **Foreign Application Priority Data**

Mar. 26, 2015 (CN) 2015 3 0075165

(51) **LOC (10) Cl.** **16-01**

(52) **U.S. Cl.**
USPC **D16/203**

(58) **Field of Classification Search**

USPC D16/200, 202-206, 218, 219, 242;
348/143, 148, 151, 373-376; 396/419,
396/427, 535, 539-541
CPC G03B 17/02; G03B 19/04; G03B 17/56;
G03B 17/04; G03B 15/03; H04N 5/2251;
H04N 5/2252; H04N 5/2253; H04N
5/2254; H04N 7/181; H04N 7/183; H04N
7/18; G08B 13/1963; G08B 13/19619;
G08B 13/19632; F16M 11/04; F16M
13/00

See application file for complete search history.

(56) **References Cited**

U.S. PATENT DOCUMENTS

D497,927 S * 11/2004 Arbuckle D16/203
D552,651 S * 10/2007 Arbuckle D16/202

D558,248 S * 12/2007 Togawa D16/203
D576,195 S * 9/2008 Grotto D16/203
7,661,890 B2 * 2/2010 Basho G03B 27/58
348/143
D615,115 S * 5/2010 Arnold D16/203
D639,328 S * 6/2011 Zeinoun D16/203
D667,860 S * 9/2012 Lee D16/203
D694,798 S * 12/2013 Deurwarder D16/203
D701,258 S * 3/2014 Huang D16/203
D702,275 S * 4/2014 Ying D16/203
2005/0007488 A1 * 1/2005 Arbuckle H04N 5/2251
348/375
2012/0106942 A1 * 5/2012 Mukai G03B 37/00
396/427

* cited by examiner

Primary Examiner — Philip S Hyder

Assistant Examiner — Ramzi Almatrahi

(74) *Attorney, Agent, or Firm* — Knobbe Martens Olson & Bear LLP

(57) **CLAIM**

The ornamental design for a video camera, as shown and described.

DESCRIPTION

FIG. 1 is a front elevational view of a video camera showing my new design.

FIG. 2 is a rear elevational view thereof.

FIG. 3 is a first side elevational view thereof.

FIG. 4 is a second side elevational view thereof.

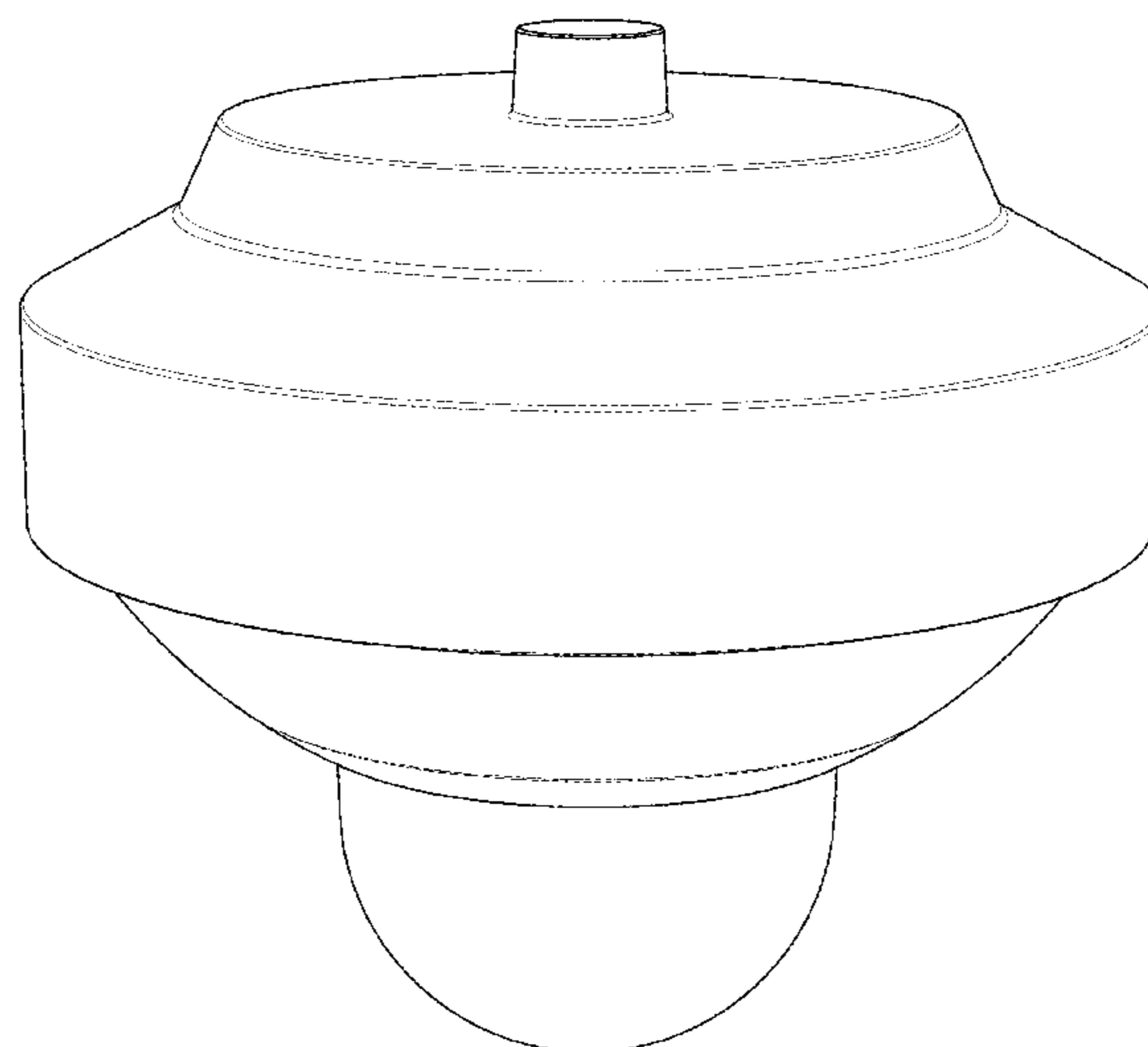
FIG. 5 is a top plan view thereof.

FIG. 6 is a bottom plan view thereof; and,

FIG. 7 is a perspective view thereof.

The broken lines in FIG. 6 depict portions of the video camera in which the design is embodied that form no part of the claimed design.

1 Claim, 7 Drawing Sheets



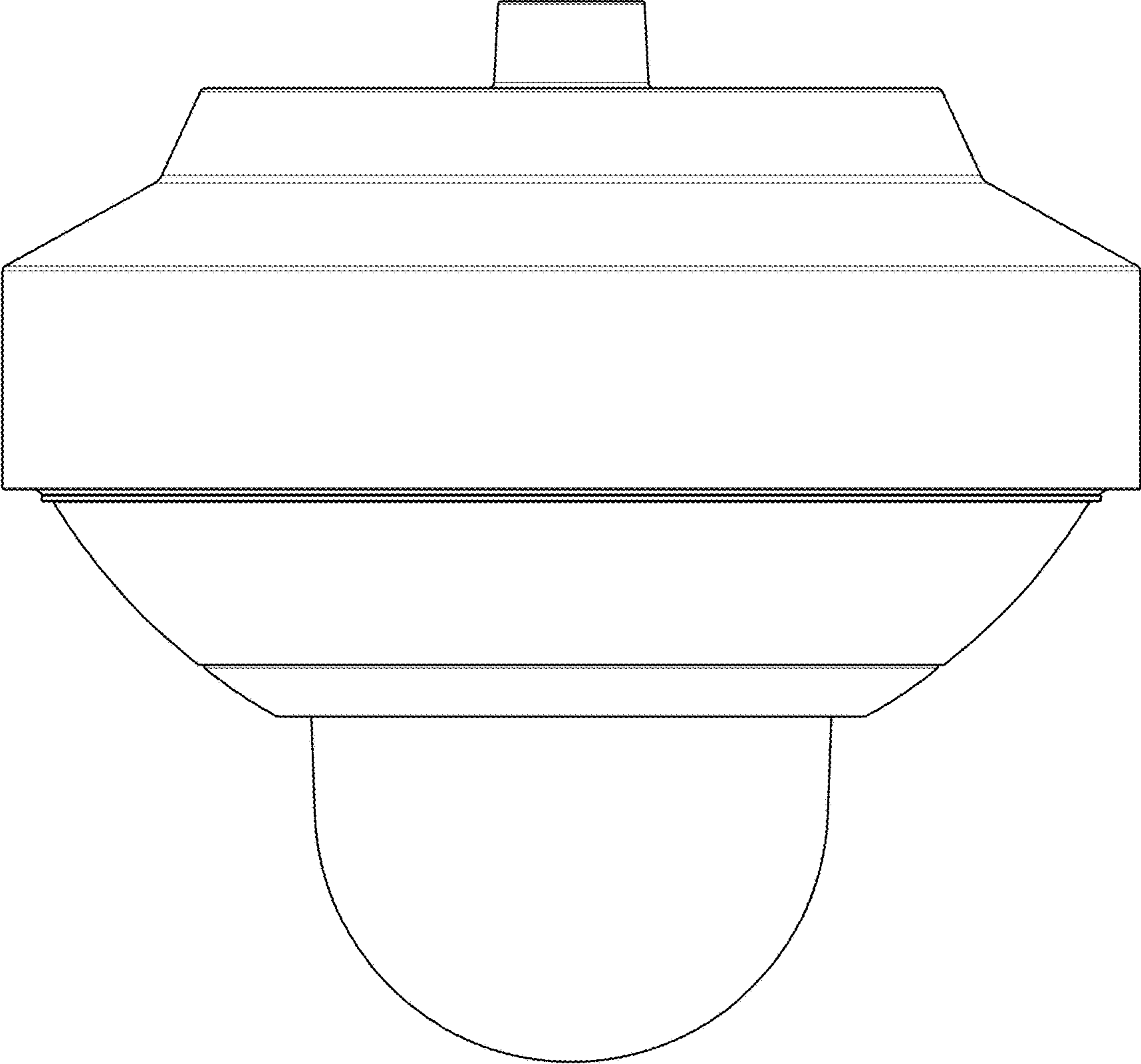


FIG. 1

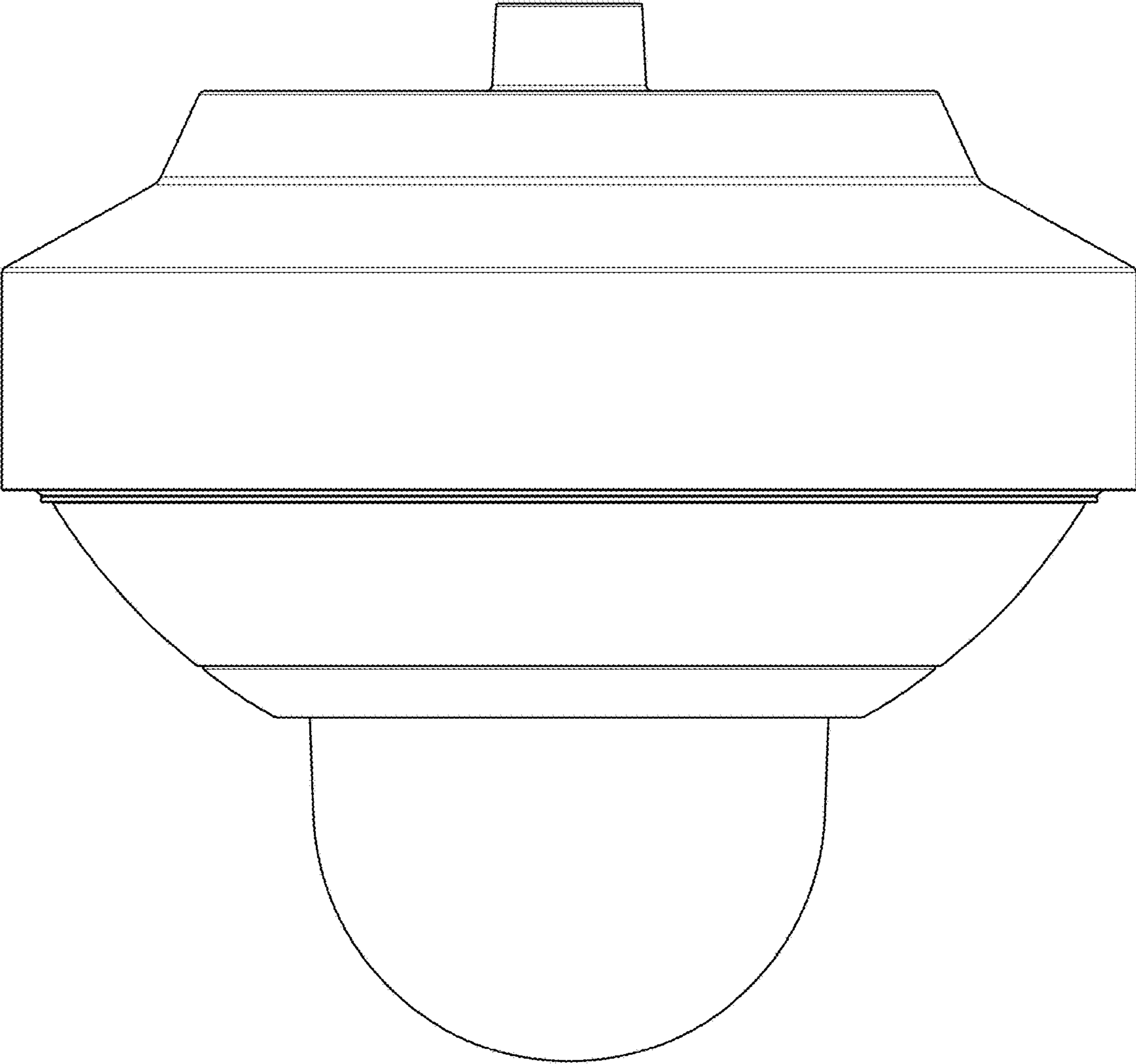


FIG. 2

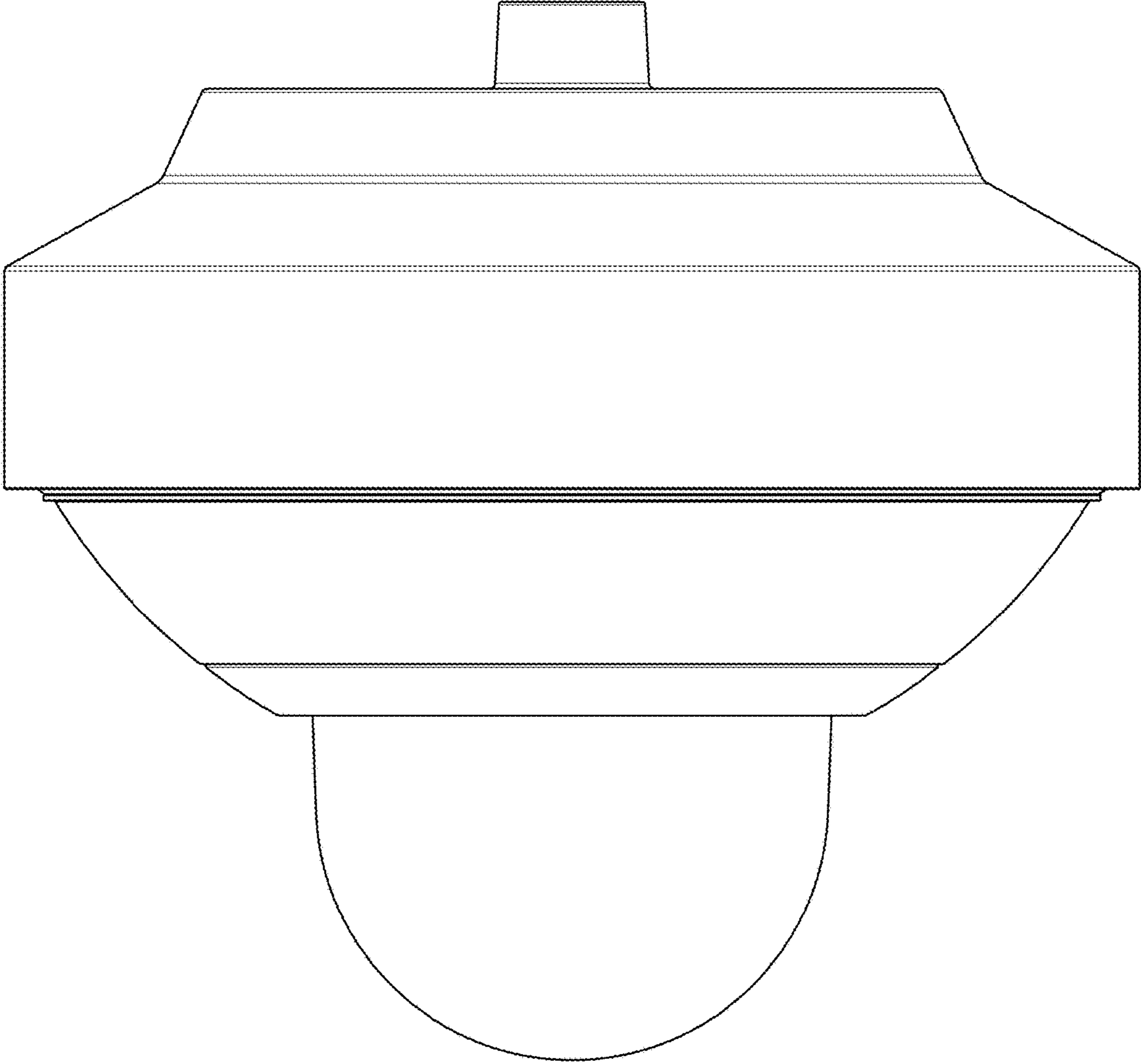


FIG. 3

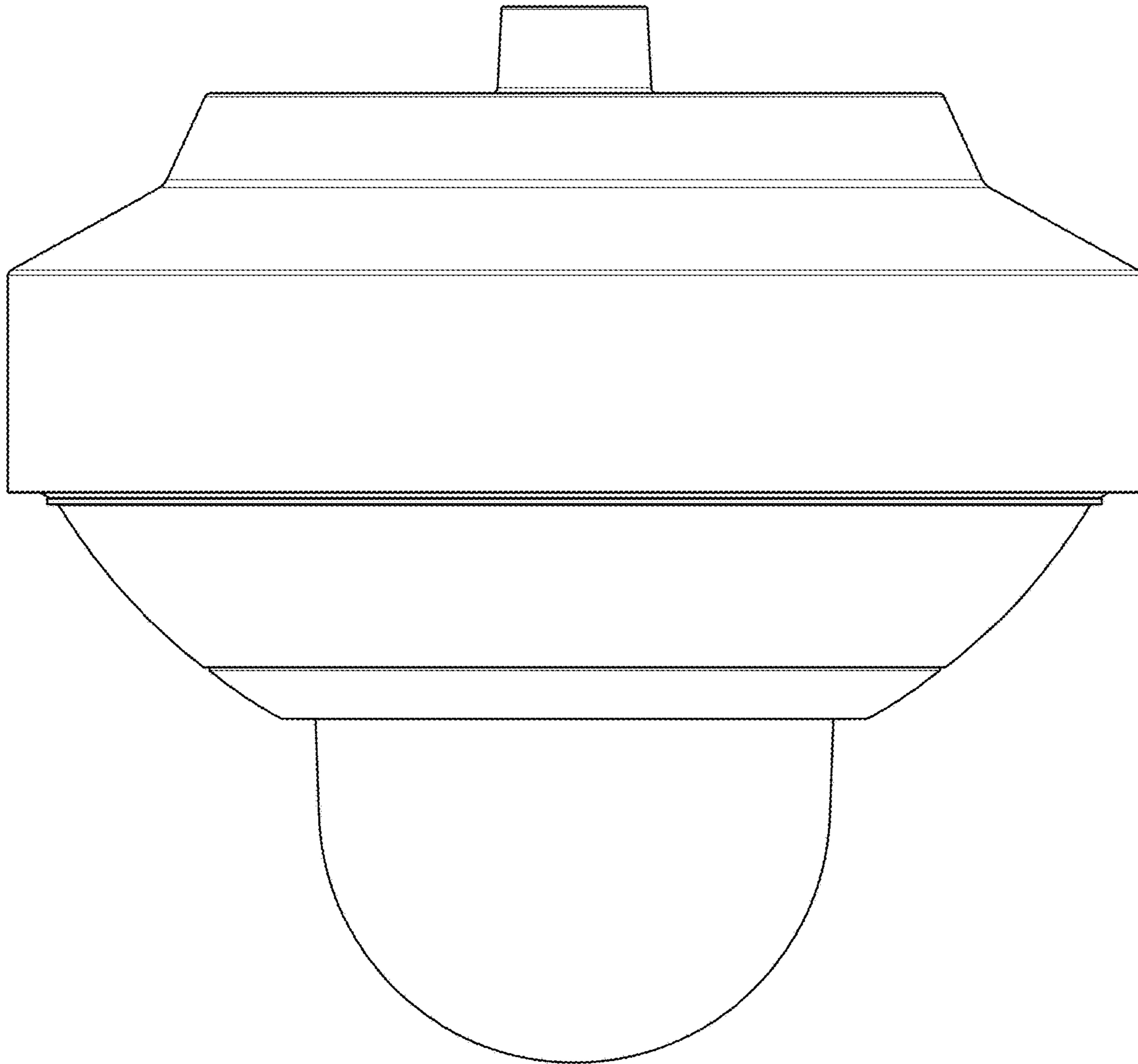


FIG. 4

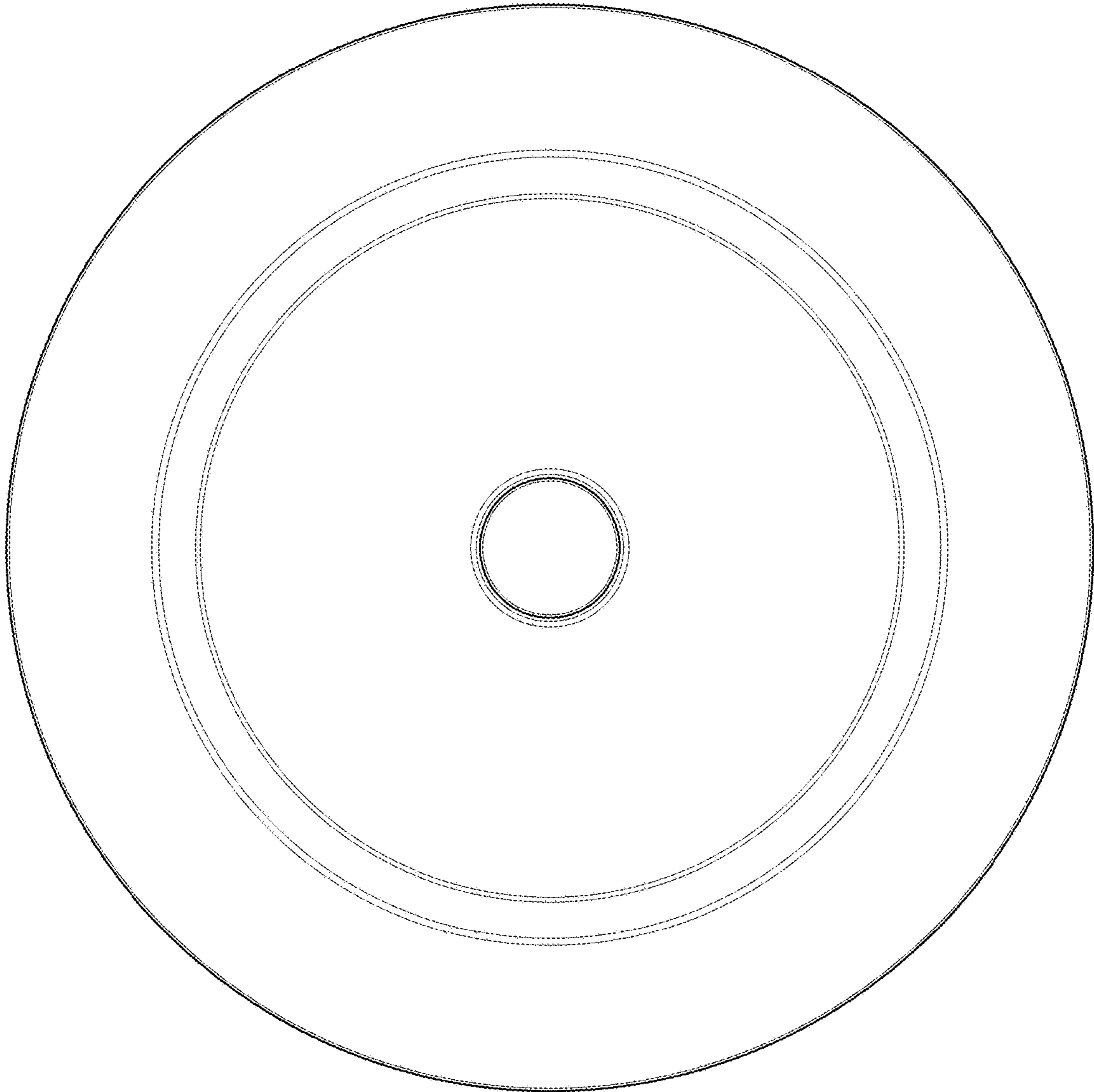


FIG. 5

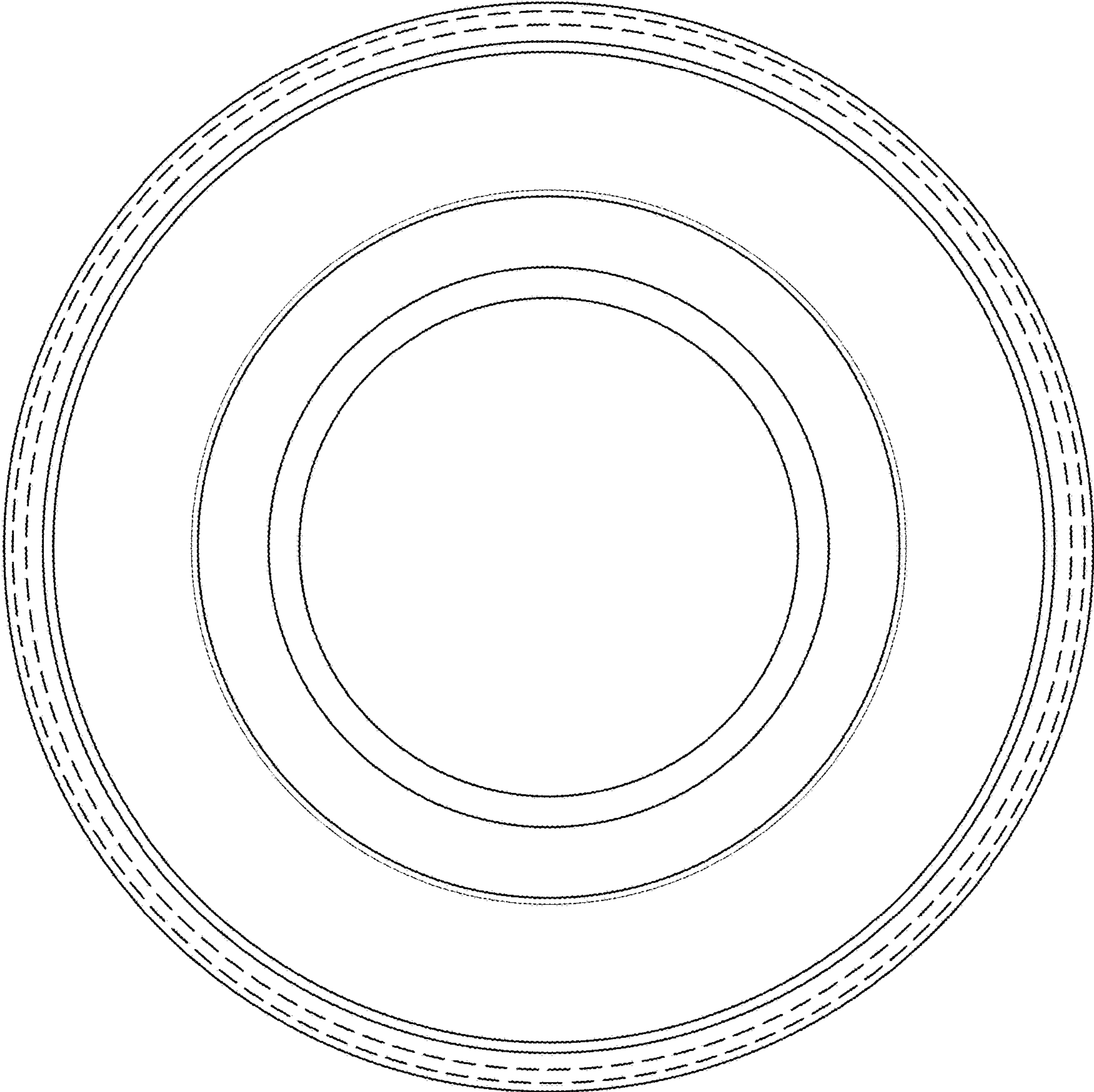


FIG. 6

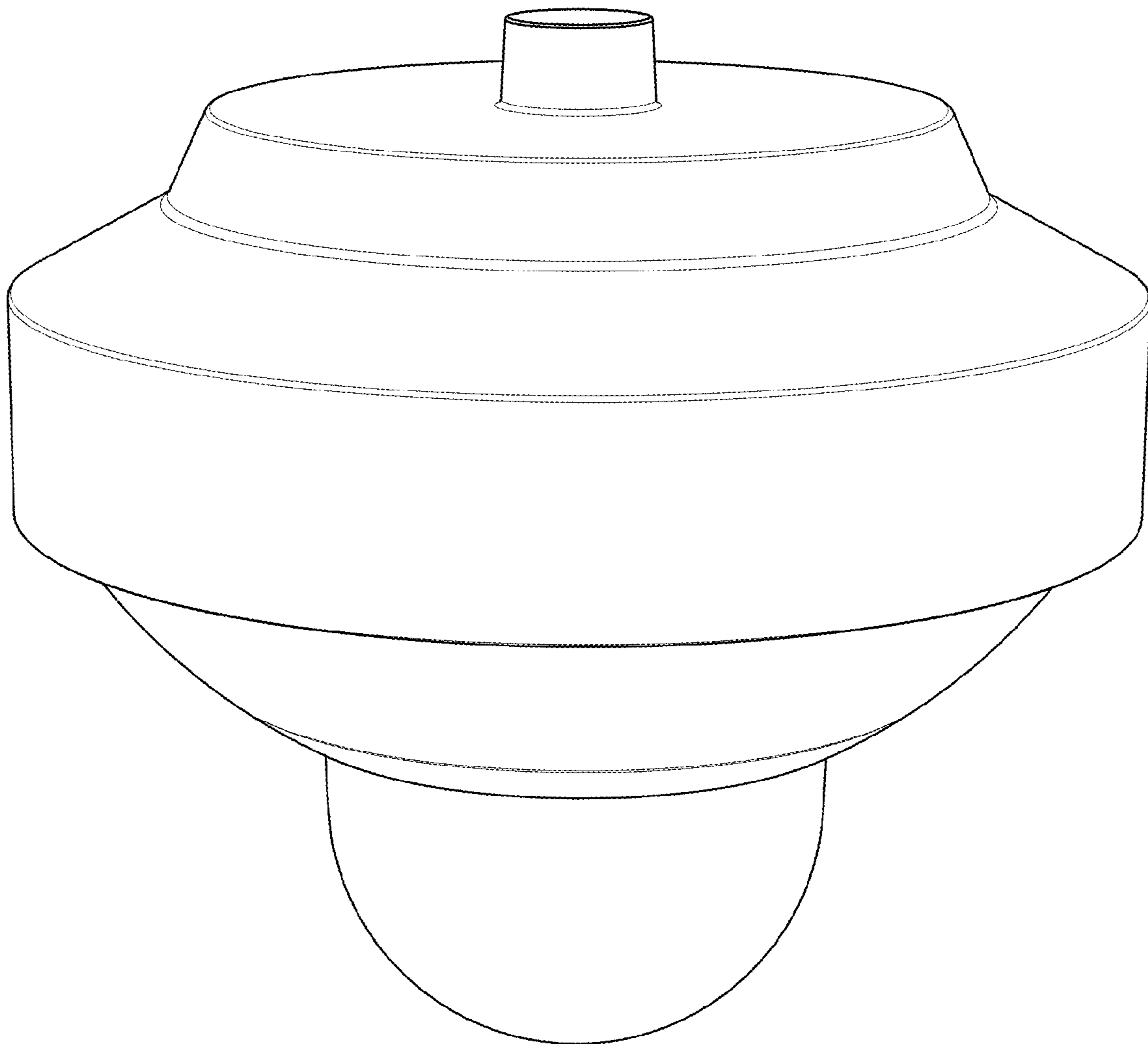


FIG. 7