



US00D791848S

(12) **United States Design Patent**
Zhu et al.

(10) **Patent No.:** **US D791,848 S**
(45) **Date of Patent:** **** Jul. 11, 2017**

(54) **SPORTS VIDEO CAMERA**
(71) Applicant: **HangZhou Hikvision Digital Technology Co., Ltd**, Hangzhou (CN)
(72) Inventors: **Weike Zhu**, Hangzhou (CN); **Chenfu Luo**, Hangzhou (CN)
(73) Assignee: **HANGZHOU EZVIZ NETWORK CO., LTD.**, Hangzhou (CN)

8,810,724 B2 * 8/2014 Ikezawa H04N 5/247
348/207.99
D753,749 S * 4/2016 Zhu D16/202
D755,874 S * 5/2016 Yang D16/202
D758,467 S * 6/2016 Zhang D16/202
D760,309 S * 6/2016 Parfitt D16/202
D766,351 S * 9/2016 Li D16/202
2012/0189292 A1 * 7/2012 Kim G03B 15/03
396/198
2013/0004152 A1 * 1/2013 Imafuji G03B 15/05
396/155
2016/0209731 A1 * 7/2016 Song G03B 17/06

(**) Term: **15 Years**

* cited by examiner

(21) Appl. No.: **29/550,878**

Primary Examiner — Manpreet Matharu

(22) Filed: **Jan. 7, 2016**

Assistant Examiner — Yolanda Robinson

(30) **Foreign Application Priority Data**

(74) *Attorney, Agent, or Firm* — Moore & Van Allen PLLC; Henry B. Ward, III

Sep. 22, 2015 (CN) 2015 3 0368710

(51) **LOC (10) Cl.** **16-01**

(57) **CLAIM**

(52) **U.S. Cl.**

The ornamental design for a sports video camera, as shown and described.

USPC **D16/200**

(58) **Field of Classification Search**

DESCRIPTION

USPC D16/200, 202, 204, 218, 219; 396/155, 396/198; 348/207.99, 333.06

FIG. 1 is a front, top, and left-side perspective view of a first embodiment of a sports video camera;
FIG. 2 is a front-elevational view thereof;
FIG. 3 is a rear-elevational view thereof;
FIG. 4 is a left-elevational view thereof;
FIG. 5 is a right-elevational view thereof;
FIG. 6 is a top-plan view thereof; and,
FIG. 7 is a bottom-plan view thereof.

CPC G03B 7/02; G03B 15/05; G03B 15/03; G03B 17/06; H04N 5/247

See application file for complete search history.

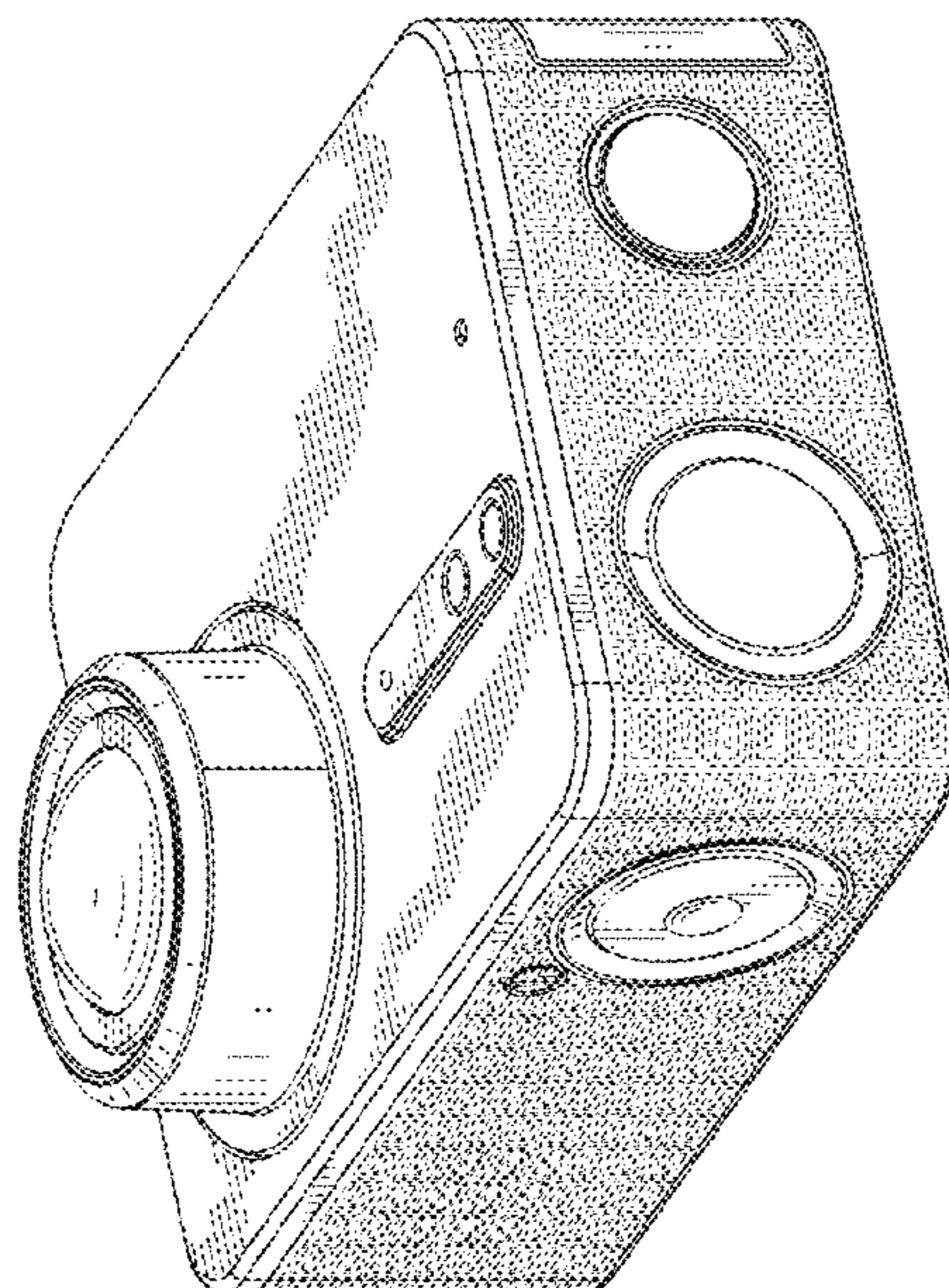
The broken lines shown in the drawings are for illustrative purposes only and form no part of the claimed design. The surface shading, if any, illustrated in the drawings is provided merely to highlight the contour of the design; it is not intended to be illustrative of texture or gloss.

(56) **References Cited**

U.S. PATENT DOCUMENTS

D407,098 S * 3/1999 Goto D16/200
D463,470 S * 9/2002 Tse D16/202
6,819,868 B2 * 11/2004 Kume G03B 7/02
348/333.06
D572,289 S * 7/2008 Shimobayashi D16/136
8,526,809 B2 * 9/2013 Kim G03B 15/03
396/198

1 Claim, 7 Drawing Sheets



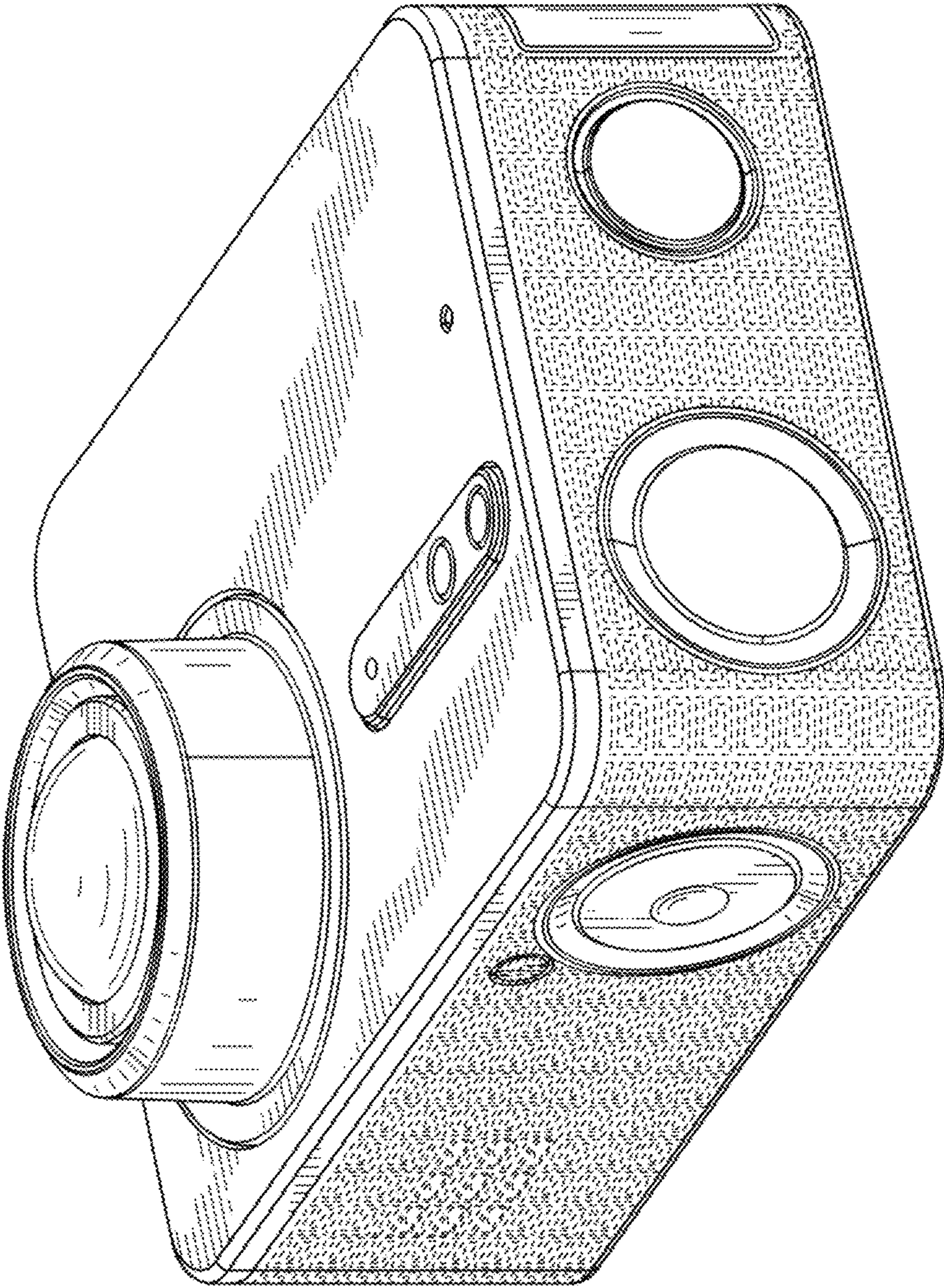


FIG. 1

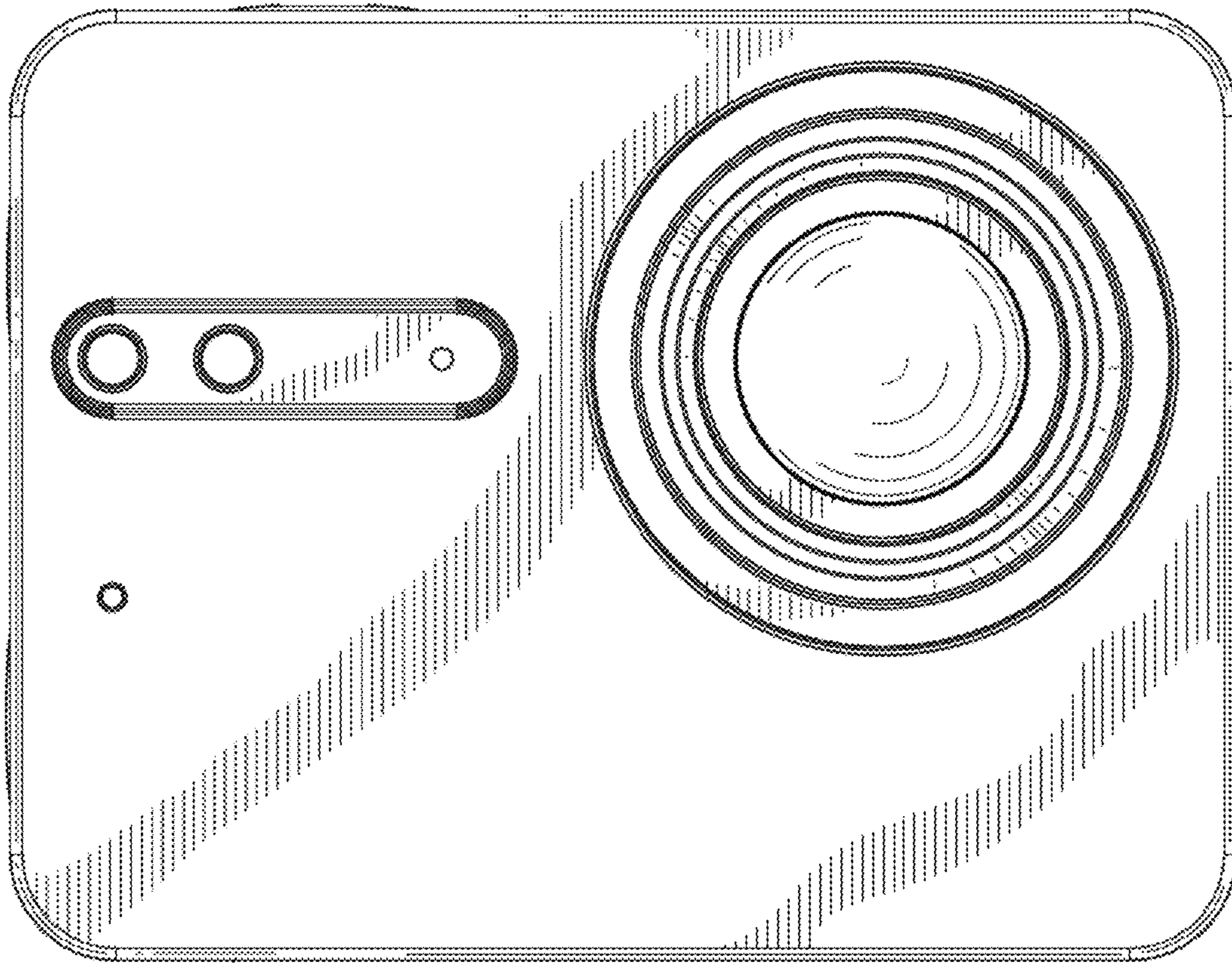


FIG. 2

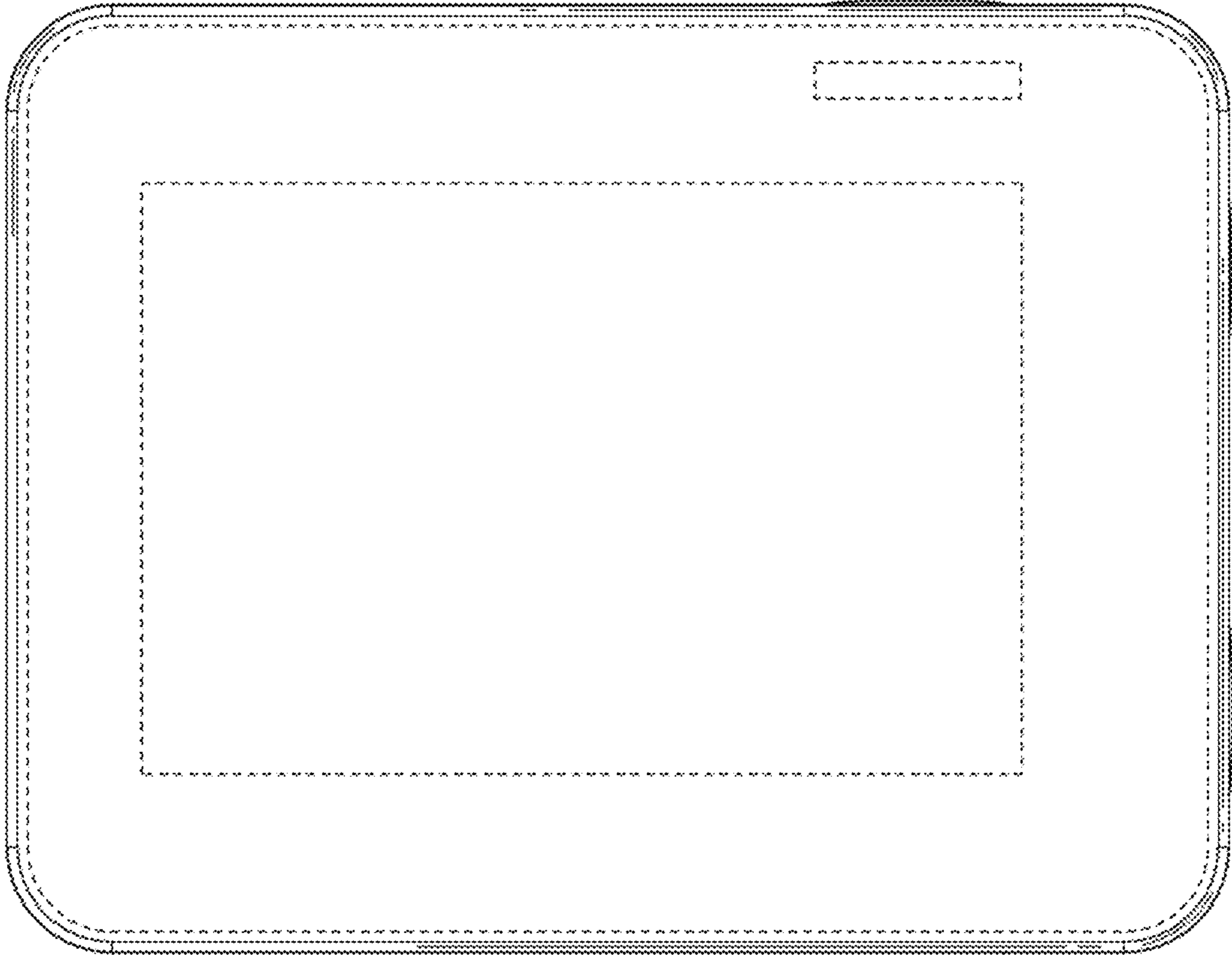


FIG. 3

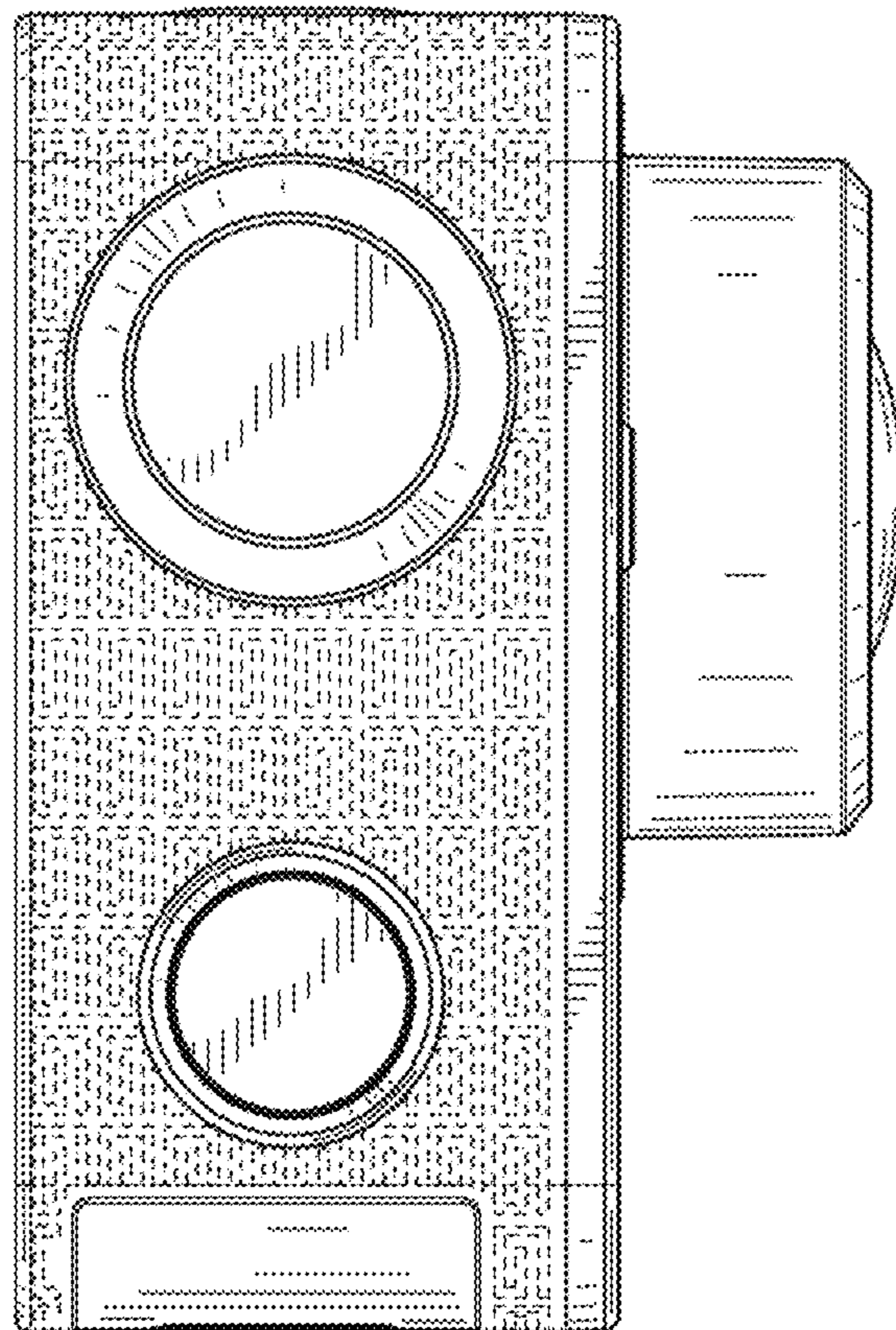


FIG. 4

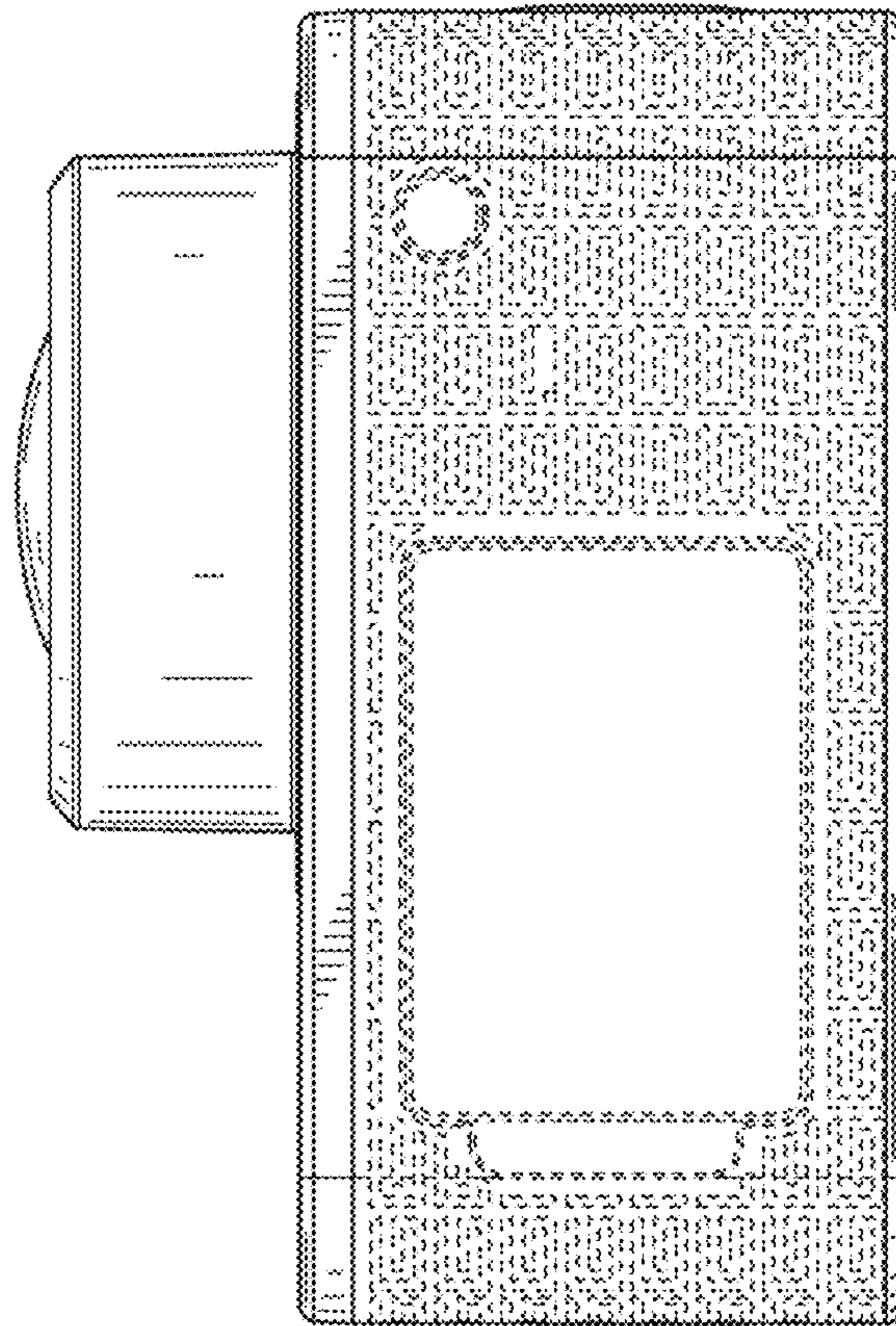


FIG. 5

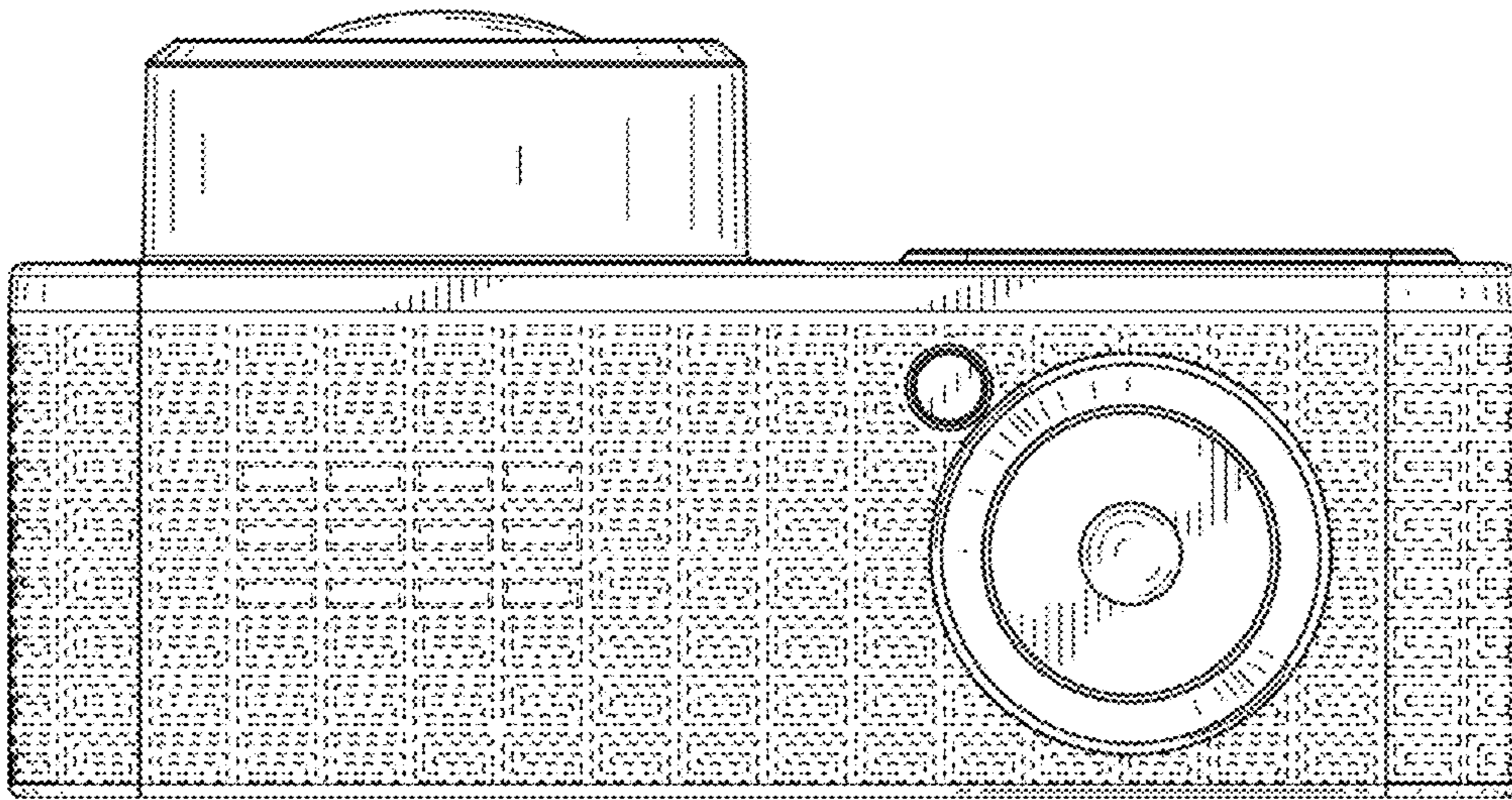


FIG. 6

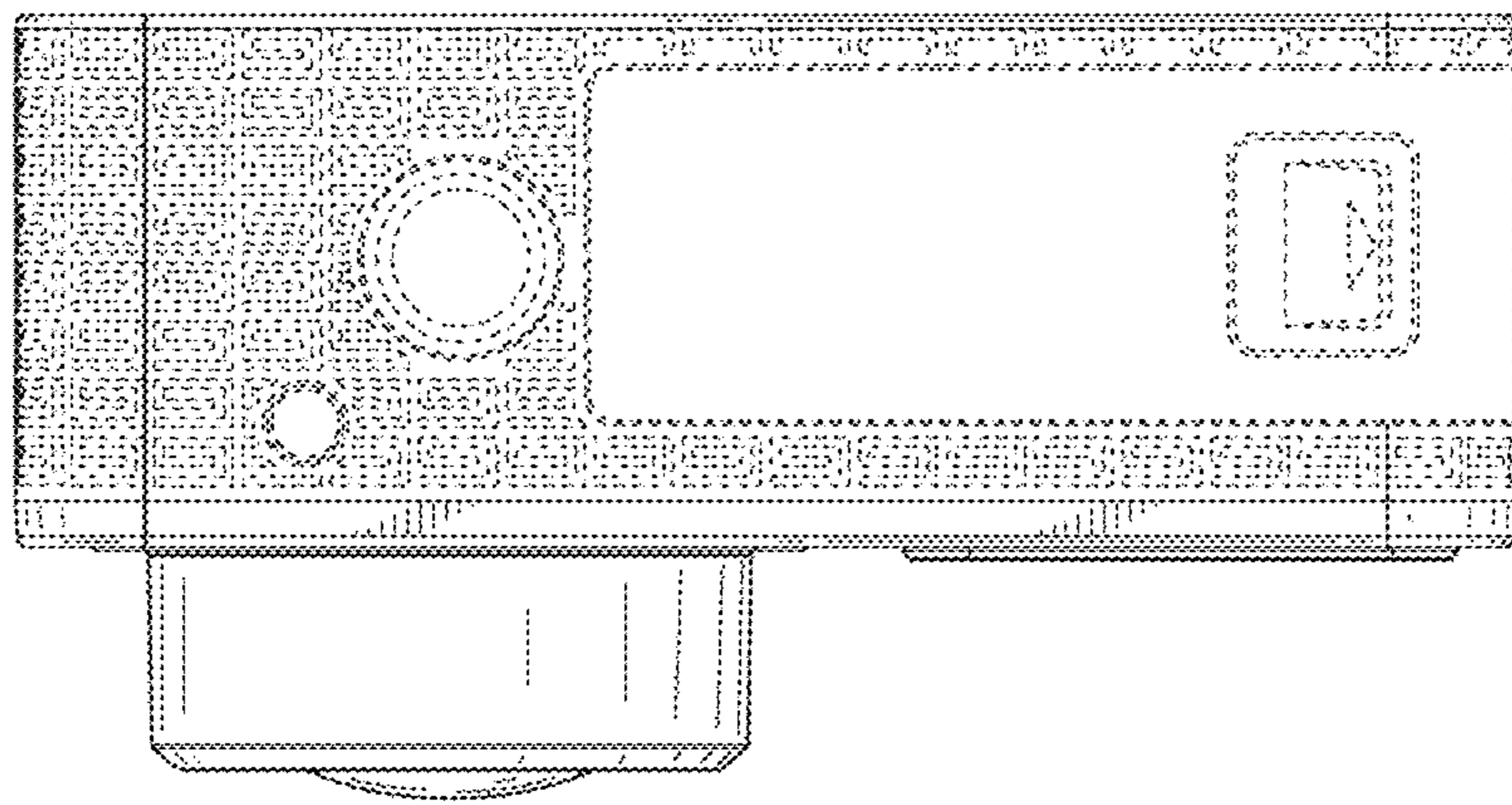


FIG. 7